

US00D667544S

(12) **United States Design Patent**
Bettocchi

(10) **Patent No.:** **US D667,544 S**

(45) **Date of Patent:** **** *Sep. 18, 2012**

(54) **SHAFT FOR A MEDICAL INSTRUMENT**

(75) Inventor: **Stefano Bettocchi**, Bari (IT)

(73) Assignee: **Karl Storz GmbH & Co. KG** (DE)

(*) Notice: This patent is subject to a terminal disclaimer.

(**) Term: **14 Years**

(21) Appl. No.: **29/236,320**

(22) Filed: **Aug. 15, 2005**

(30) **Foreign Application Priority Data**

Feb. 15, 2005 (EM) 000296546

(51) **LOC (9) Cl.** **24-02**

(52) **U.S. Cl.** **D24/137**

(58) **Field of Classification Search** D24/129,
D24/107, 133, 137, 138, 108; 600/101, 104,
600/112-114, 120, 122, 123, 131, 132, 136,
600/138, 153, 154, 156, 158, 162, 105, 128,
600/135; 604/523; 285/316

See application file for complete search history.

(56) **References Cited**

U.S. PATENT DOCUMENTS

2,691,370	A *	10/1954	Wallace	600/104
4,686,965	A *	8/1987	Bonnet et al.	600/104
4,951,977	A *	8/1990	Shutt	285/316
4,959,058	A *	9/1990	Michelson	604/523
4,973,321	A *	11/1990	Michelson	604/523
5,031,603	A *	7/1991	Gautier et al.	600/135
D340,976	S *	11/1993	Garcia	D24/110
5,509,892	A *	4/1996	Bonnet	600/156

5,674,179	A *	10/1997	Bonnet et al.	600/105
5,685,824	A *	11/1997	Takei	600/135
6,471,639	B2 *	10/2002	Rudischhauser et al.	600/128
6,971,989	B2 *	12/2005	Yossepowitch	600/105

OTHER PUBLICATIONS

Storz The World of Endoscopy catalog 4th edition Jan. 2003 Items: 26161 BN and 26161 KN.*

Storz—The World of Endoscopy—Gynecology—4TH edition Jan. 2003.

* cited by examiner

Primary Examiner — Ian Simmons

Assistant Examiner — Charles Hanson

(74) *Attorney, Agent, or Firm* — St. Onge Steward Johnston & Reens LLC

(57) **CLAIM**

The ornamental design for “shaft for a medical instrument,” as shown and described.

DESCRIPTION

FIG. 1 is a front elevational view of a shaft for a medical instrument in accordance with the new design;

FIG. 2 is a side elevational view of the shaft for a medical instrument of FIG. 1;

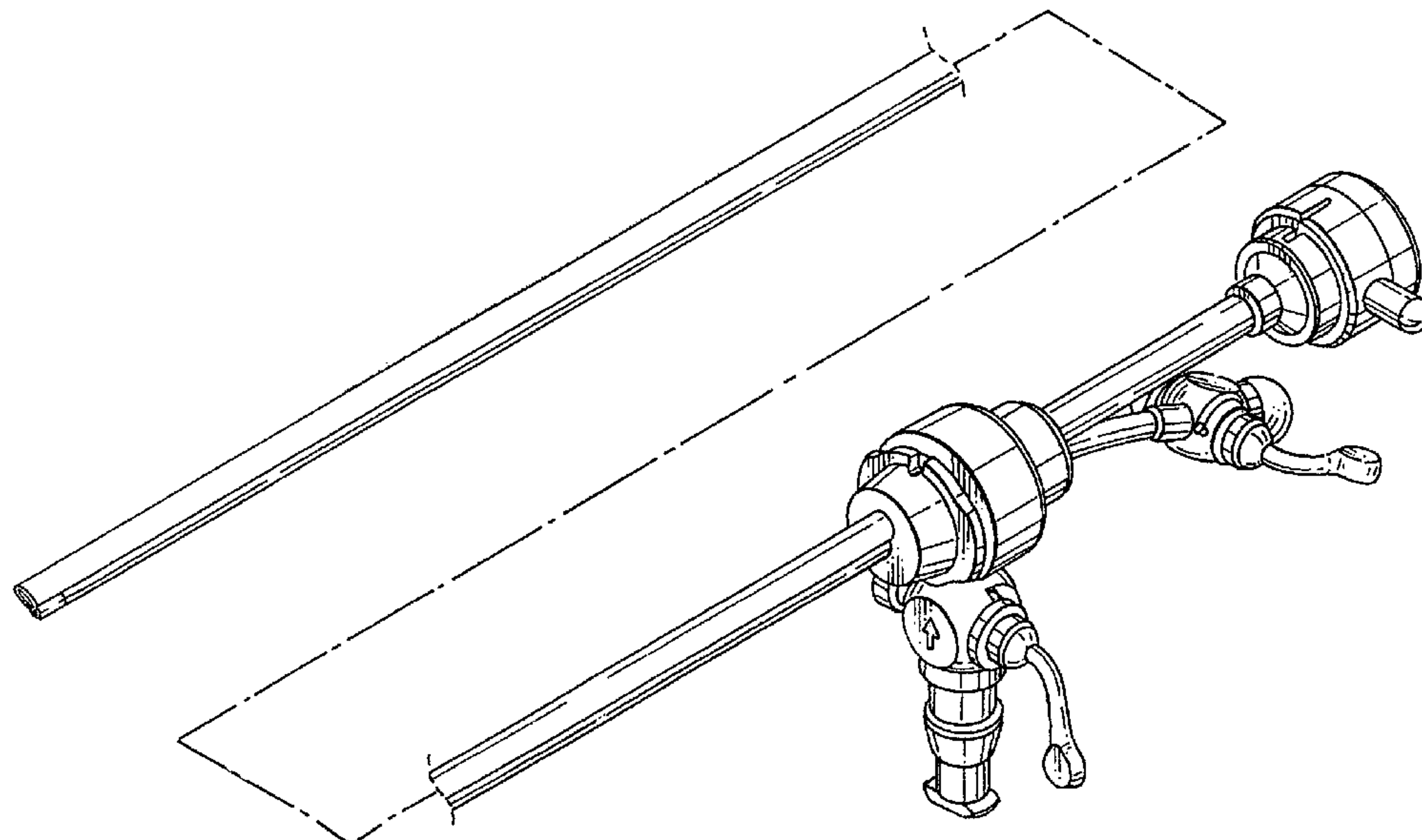
FIG. 3 is a top elevational view of the shaft for a medical instrument of FIG. 1;

FIG. 4 is a bottom elevational view of the shaft for a medical instrument of FIG. 1;

FIG. 5 is a rear end elevational view of the shaft for a medical instrument of FIG. 1; and,

FIG. 6 is a front end elevational view of the shaft for a medical instrument of FIG. 1.

1 Claim, 5 Drawing Sheets



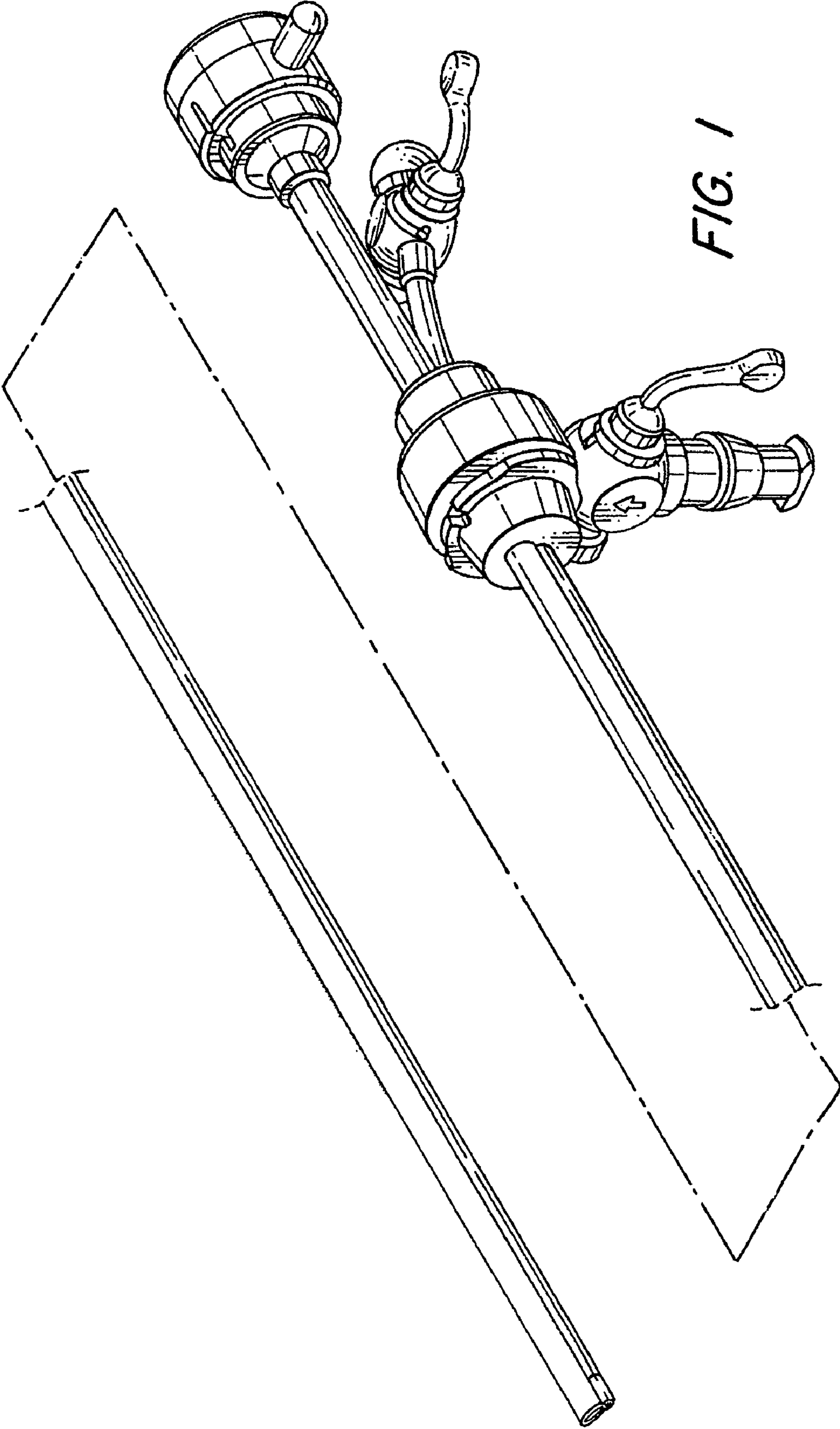


FIG. 1

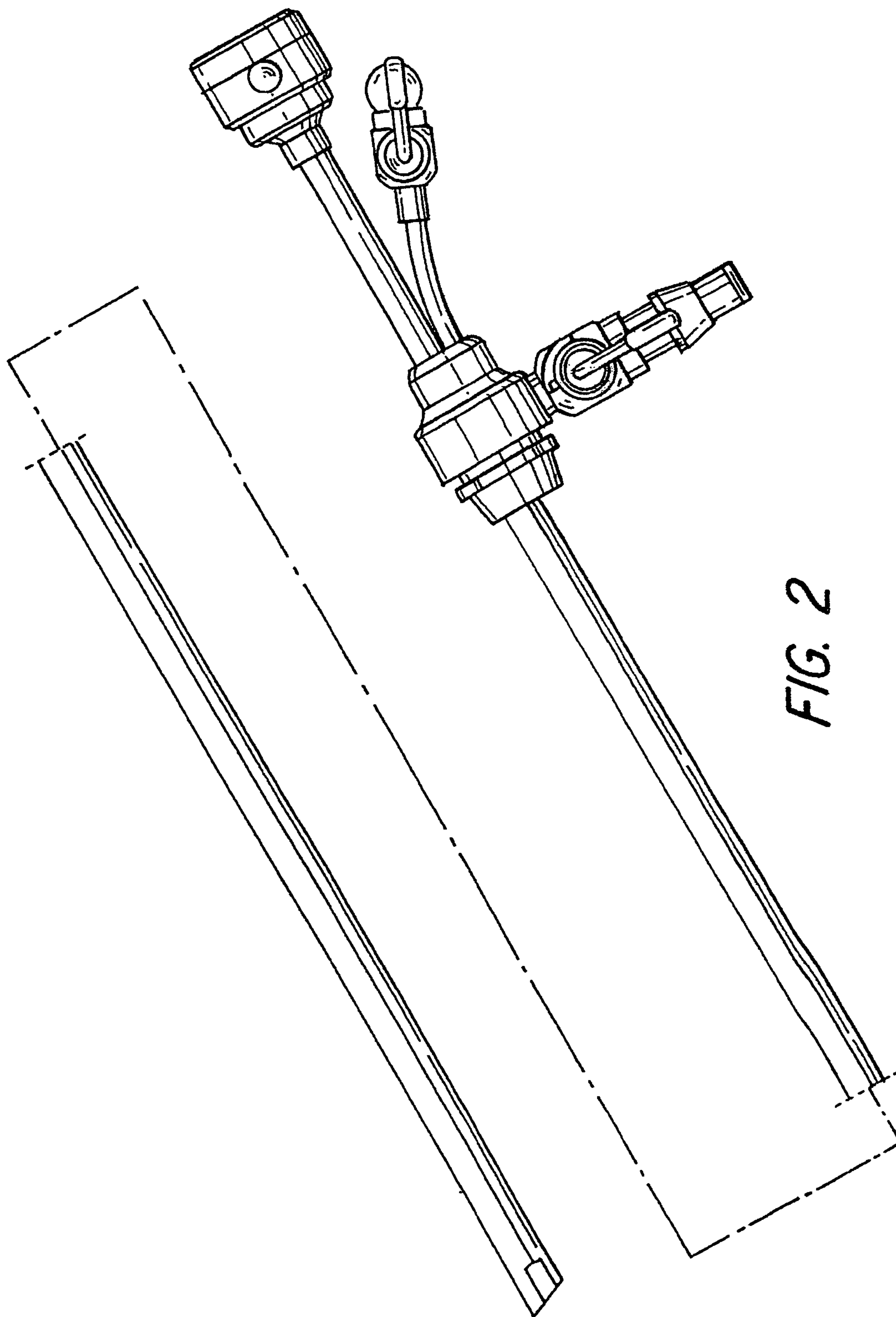


FIG. 2

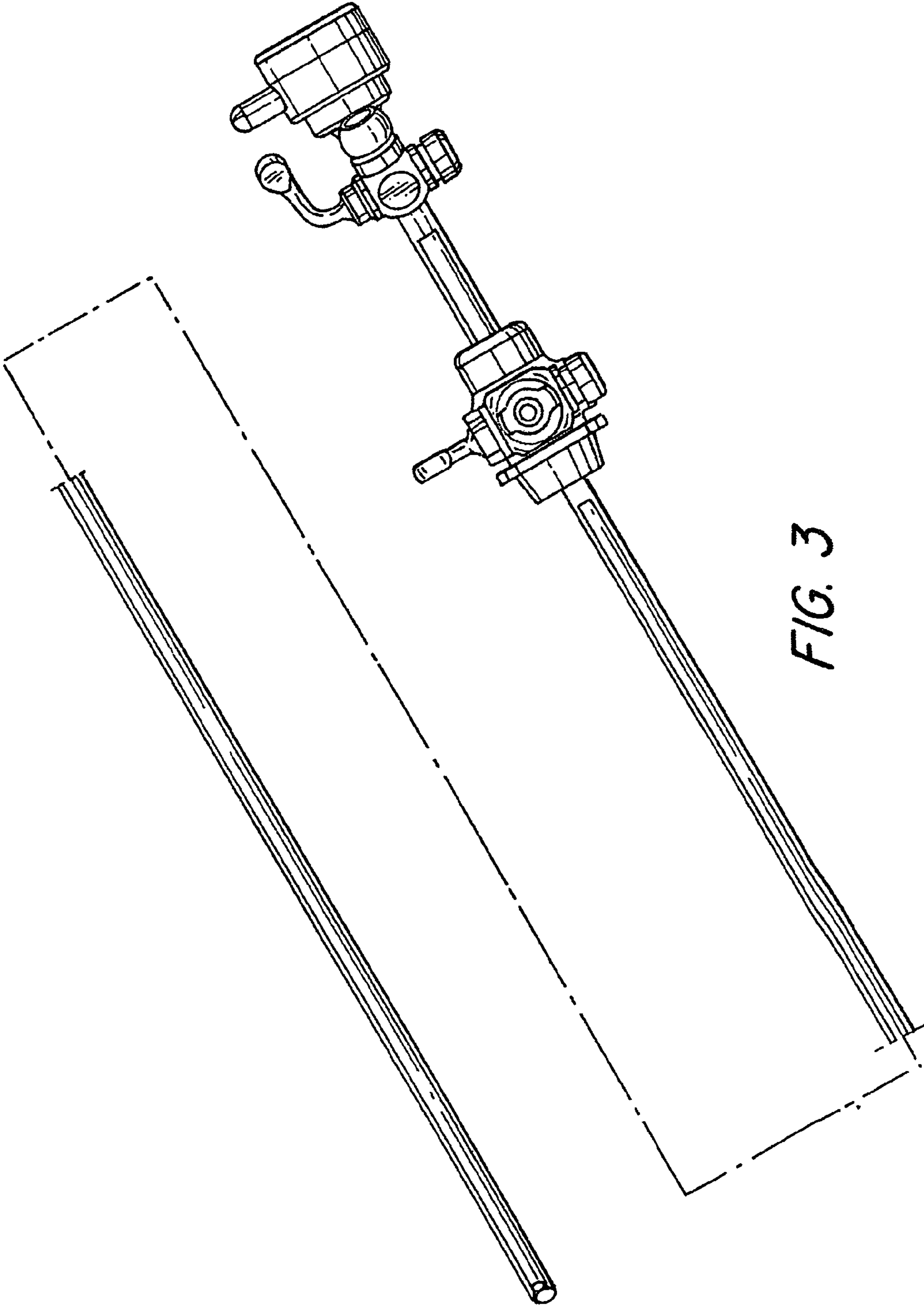


FIG. 3

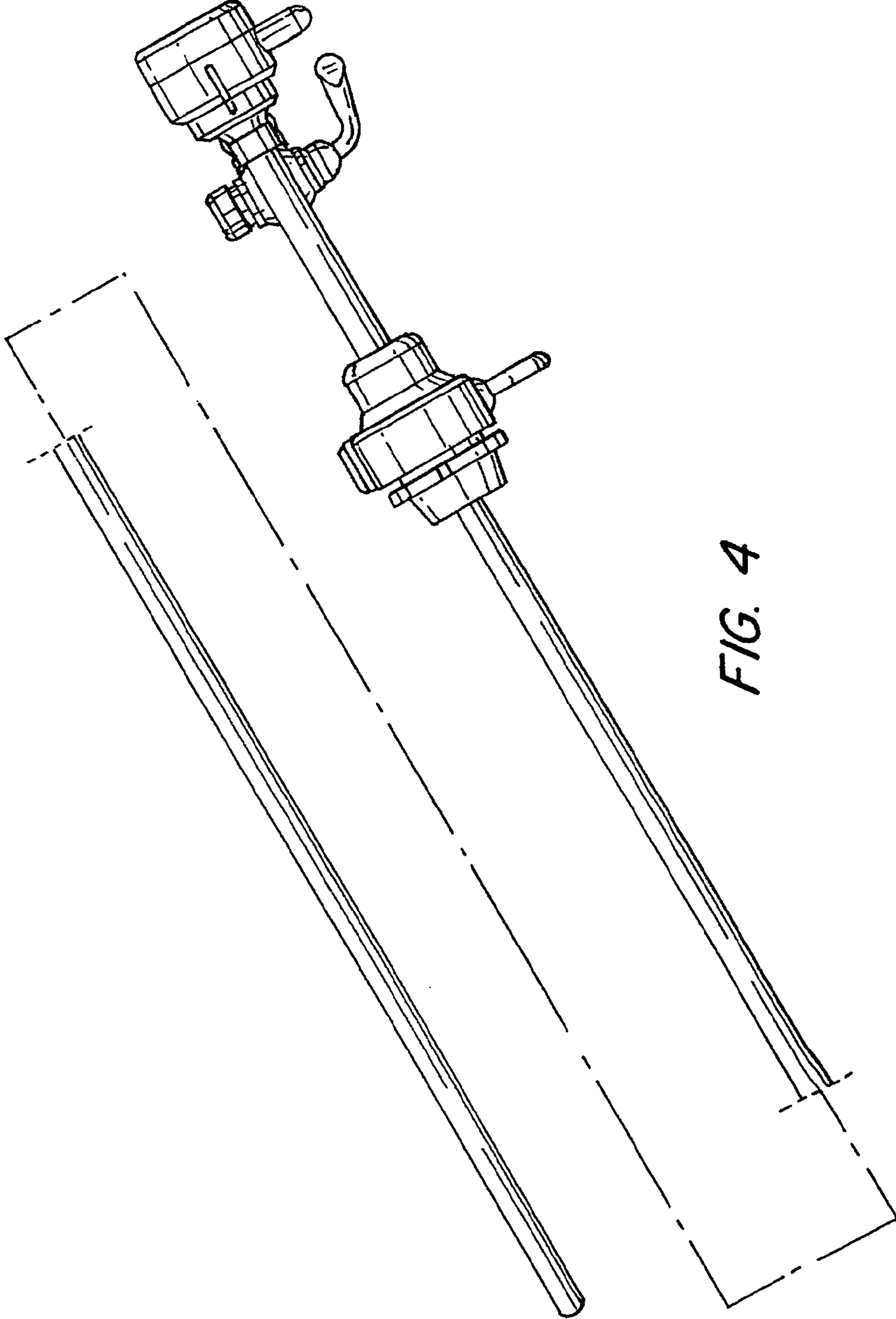


FIG. 4

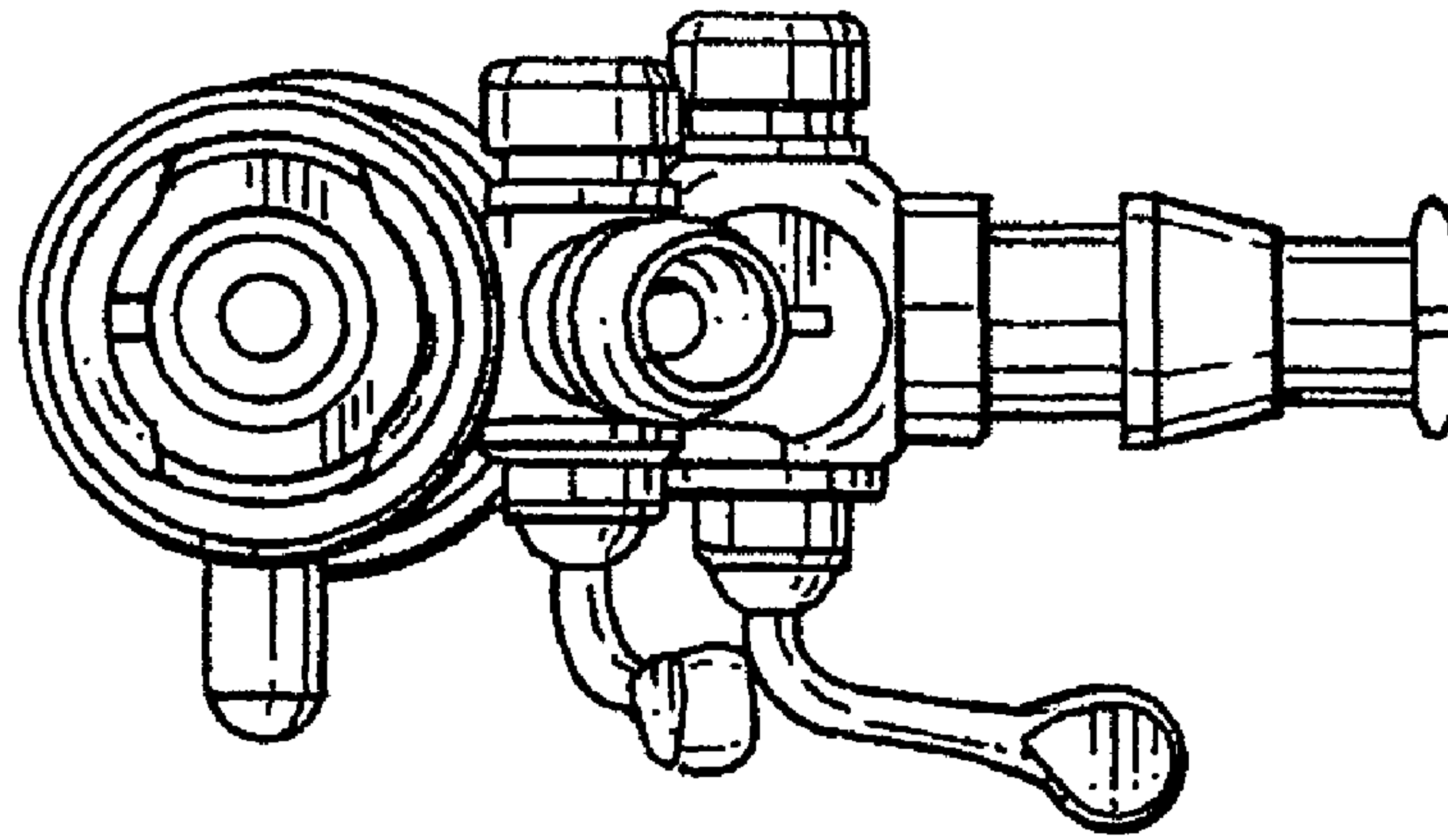


FIG. 5

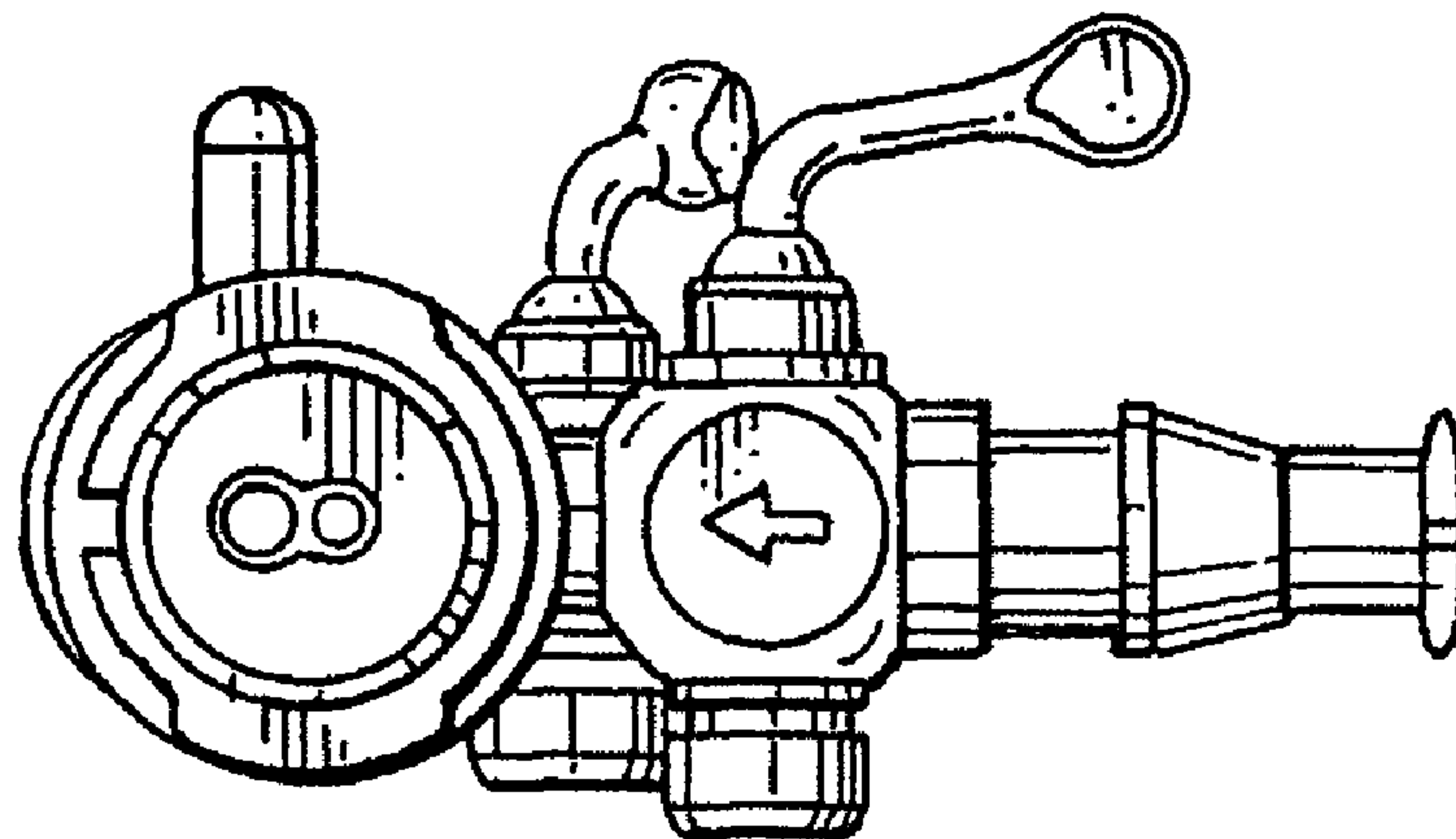


FIG. 6