



US00D667537S

(12) **United States Design Patent**
Le et al.

(10) **Patent No.:** **US D667,537 S**
(45) **Date of Patent:** **** Sep. 18, 2012**

- (54) **REPLACEABLE FAN ASSEMBLY**
- (75) Inventors: **Phong Le**, Lewisville, TX (US); **Doug Belding**, Keller, TX (US)
- (73) Assignee: **AMC LLC**, Richardson, TX (US)
- (**) Term: **14 Years**
- (21) Appl. No.: **29/393,778**
- (22) Filed: **Jun. 9, 2011**
- (51) **LOC (9) Cl.** **23-04**
- (52) **U.S. Cl.** **D23/412**
- (58) **Field of Classification Search** D6/309;
D13/179; D23/370-386, 411-414; 165/80.3,
165/120-122, 900; 310/12.13, 26, 52, 58,
310/60 A, 60 R, 61-65, 112, 125, 156.35-156.37,
310/157, 211, 261.1, 266, 268; 361/679.48,
361/694-697; 392/365, 373, 382, 383; 415/60,
415/66, 68, 175-178, 206, 208.1, 211.2,
415/213.1, 214.1, 215.1; 416/179, 185, 186 R,
416/187, 244 R, 246, 247 R
See application file for complete search history.

(56) **References Cited**

U.S. PATENT DOCUMENTS

- 6,690,576 B2 * 2/2004 Clements et al. 361/695
- D487,310 S * 3/2004 Li et al. D23/411

- D521,141 S * 5/2006 Horng et al. D23/370
- D523,130 S * 6/2006 Horng et al. D23/370
- D534,266 S * 12/2006 Watanabe et al. D23/370
- 2008/0252857 A1 * 10/2008 Zheng et al. 353/58
- 2011/0063799 A1 * 3/2011 Takahasi et al. 361/695

* cited by examiner

Primary Examiner — Garth Rademaker

(57) **CLAIM**

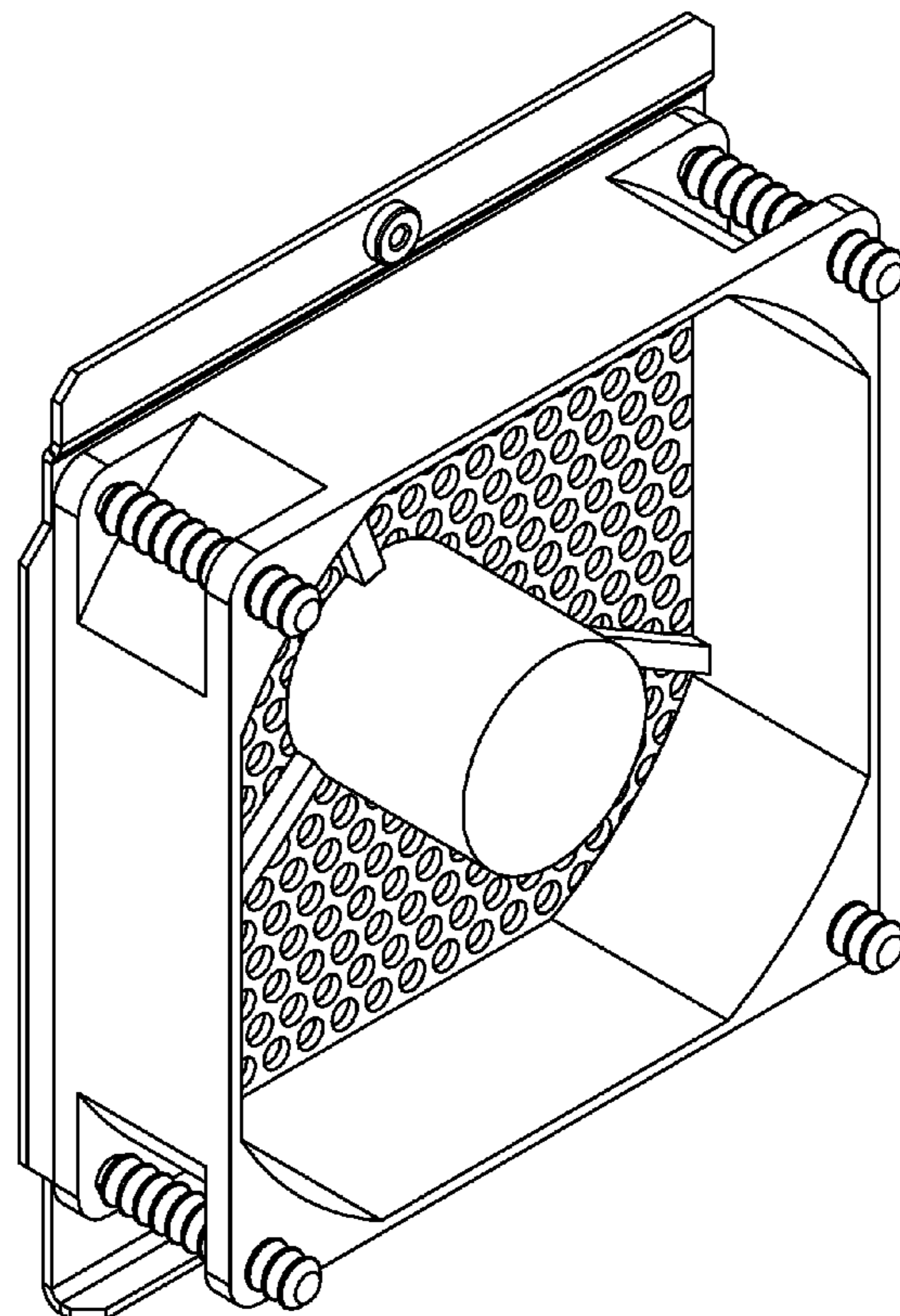
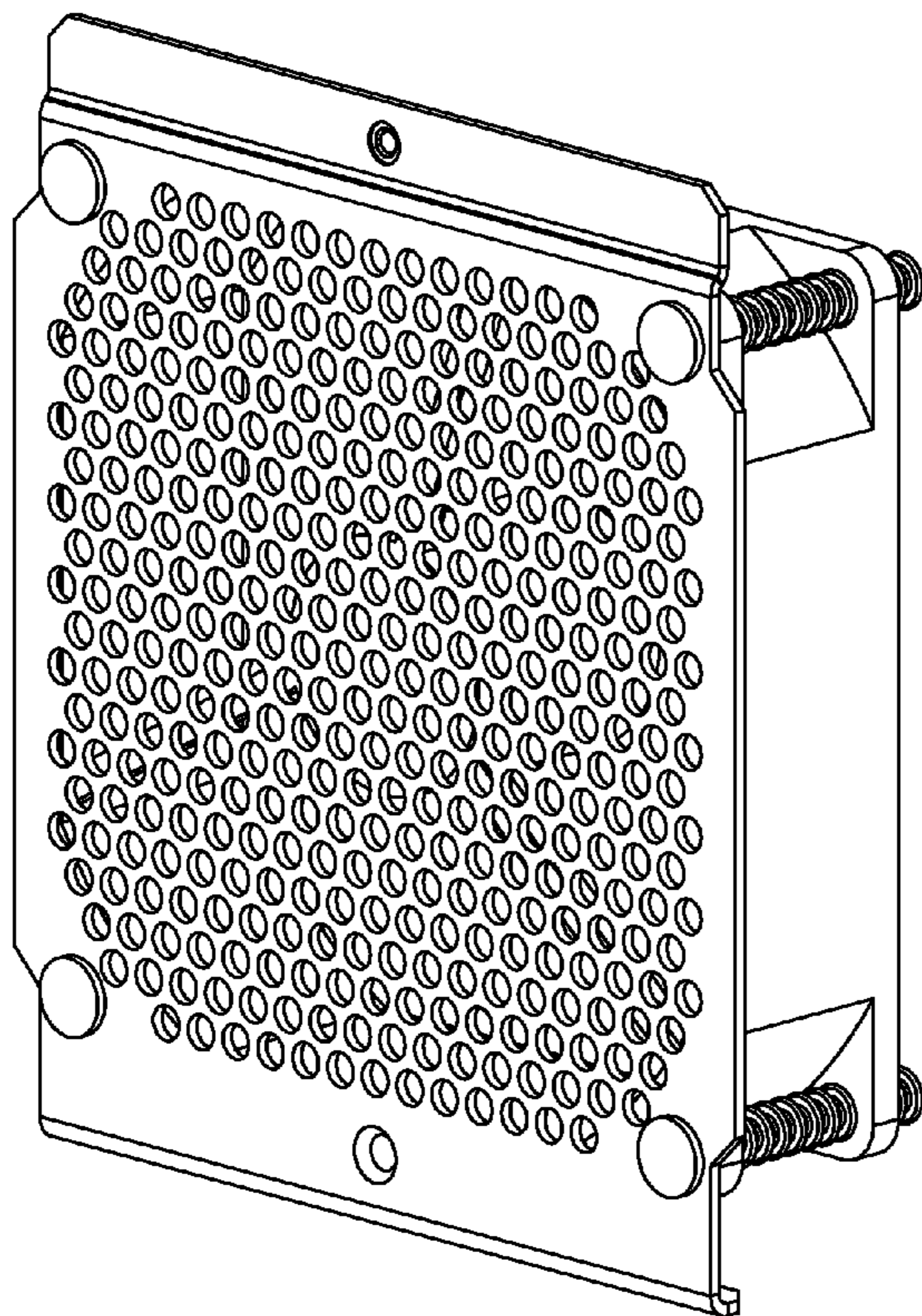
The ornamental design for a replaceable fan assembly, as shown and described.

DESCRIPTION

FIG. 1 is a front, top, right side, exploded isometric view of a replaceable fan assembly, showing the new design; FIG. 2 is a front, right side perspective view thereof; FIG. 3 is a rear, right side perspective view thereof; FIG. 4 is a front elevational view thereof; FIG. 5 is a right side elevational view thereof; FIG. 6 is a left side elevational view thereof; FIG. 7 is a top plan view thereof; FIG. 8 is a bottom plan view thereof; and, FIG. 9 is a front, left side, isometric view thereof, shown in an environment of use.

The broken lines depict environmental subject matter only and form no part of the claimed design.

1 Claim, 9 Drawing Sheets



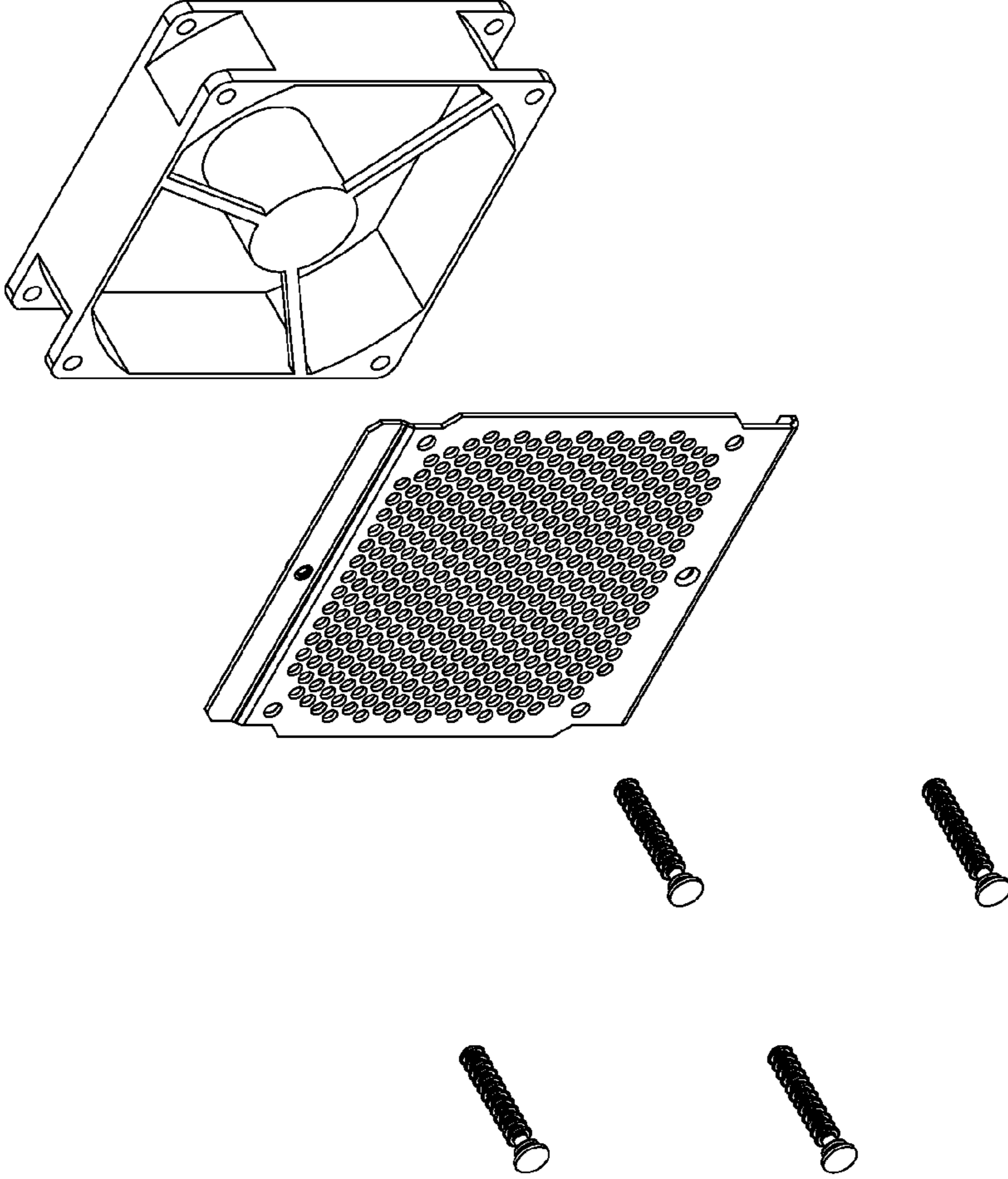


FIGURE 1

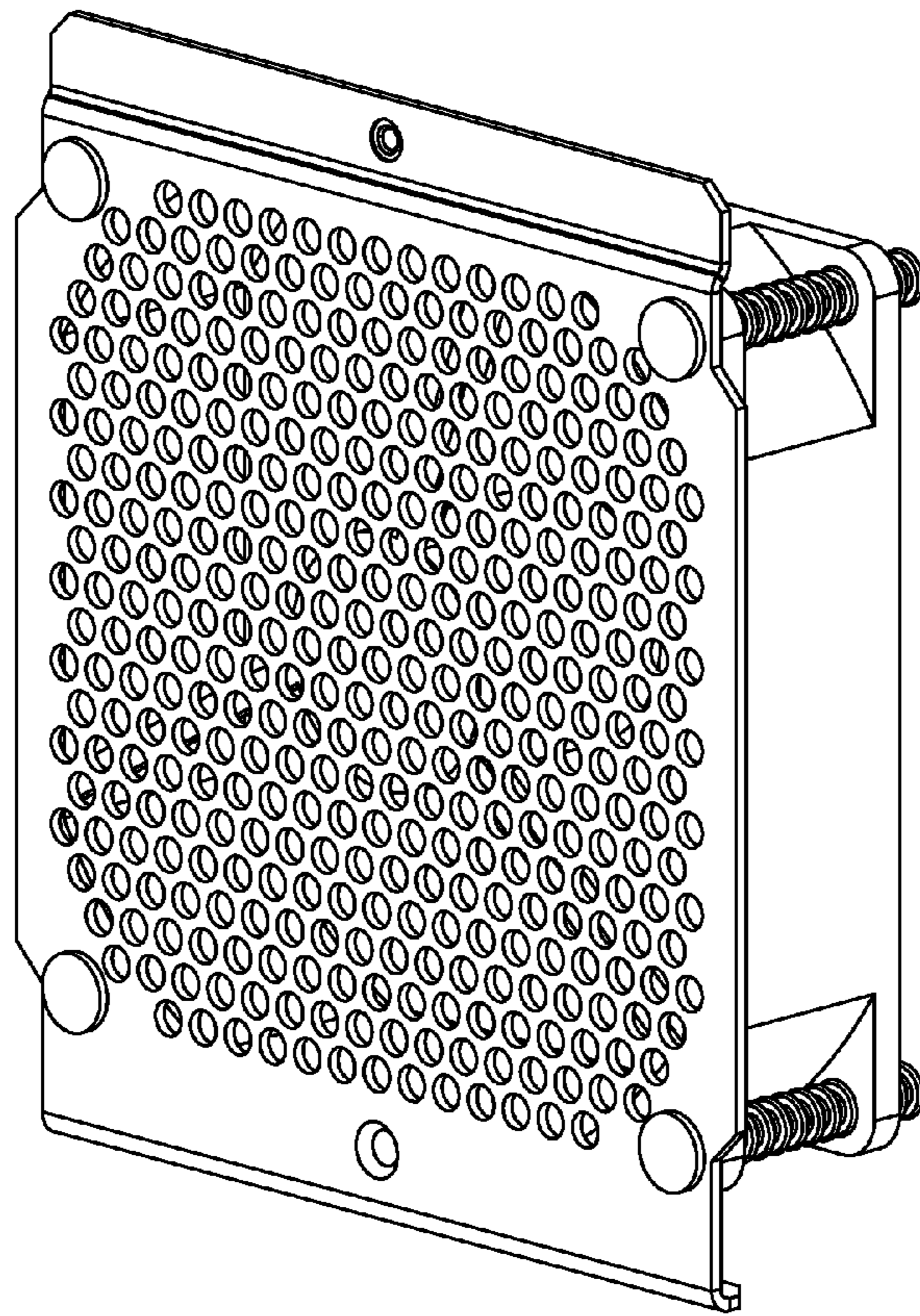


FIGURE 2

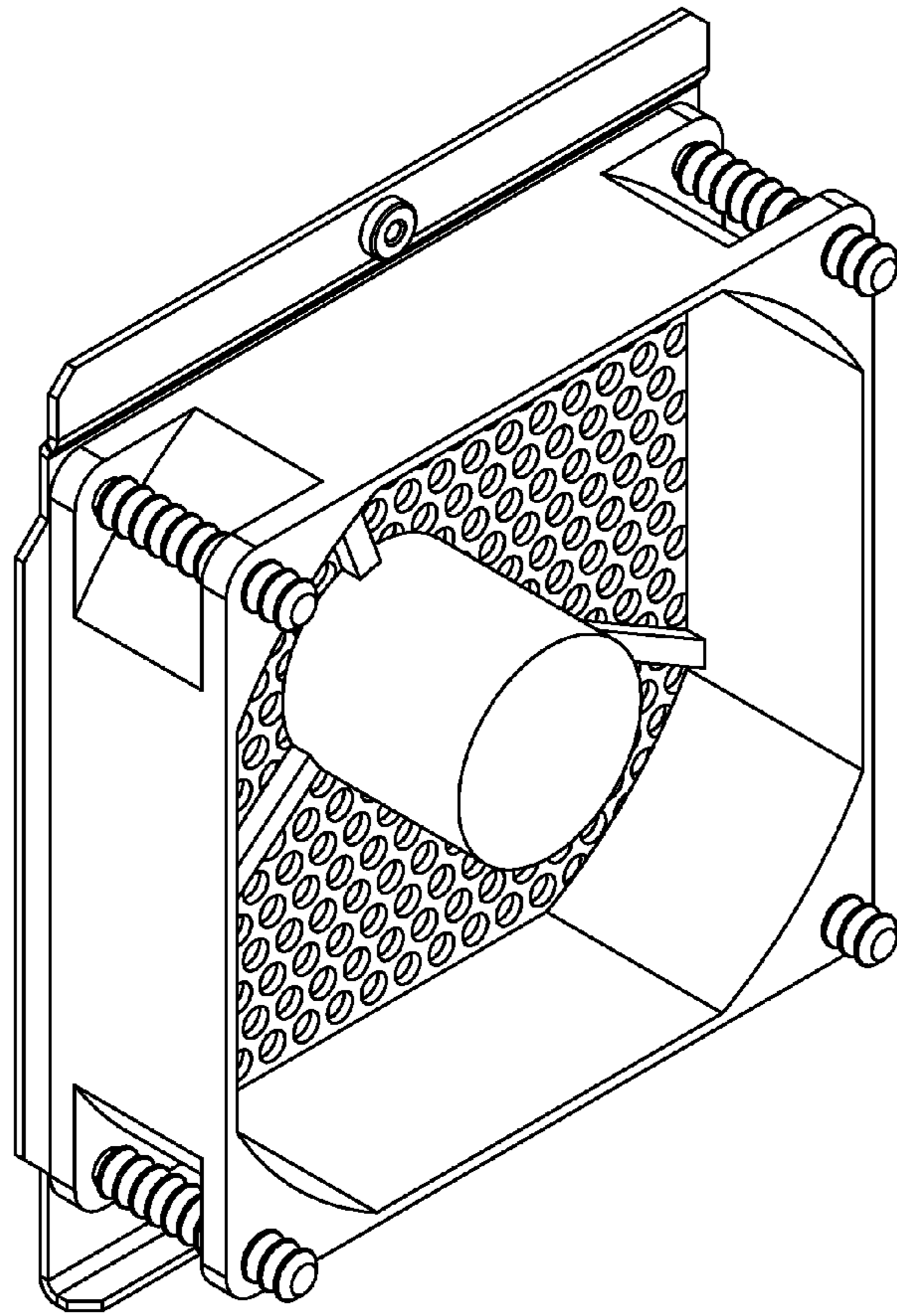


FIGURE 3

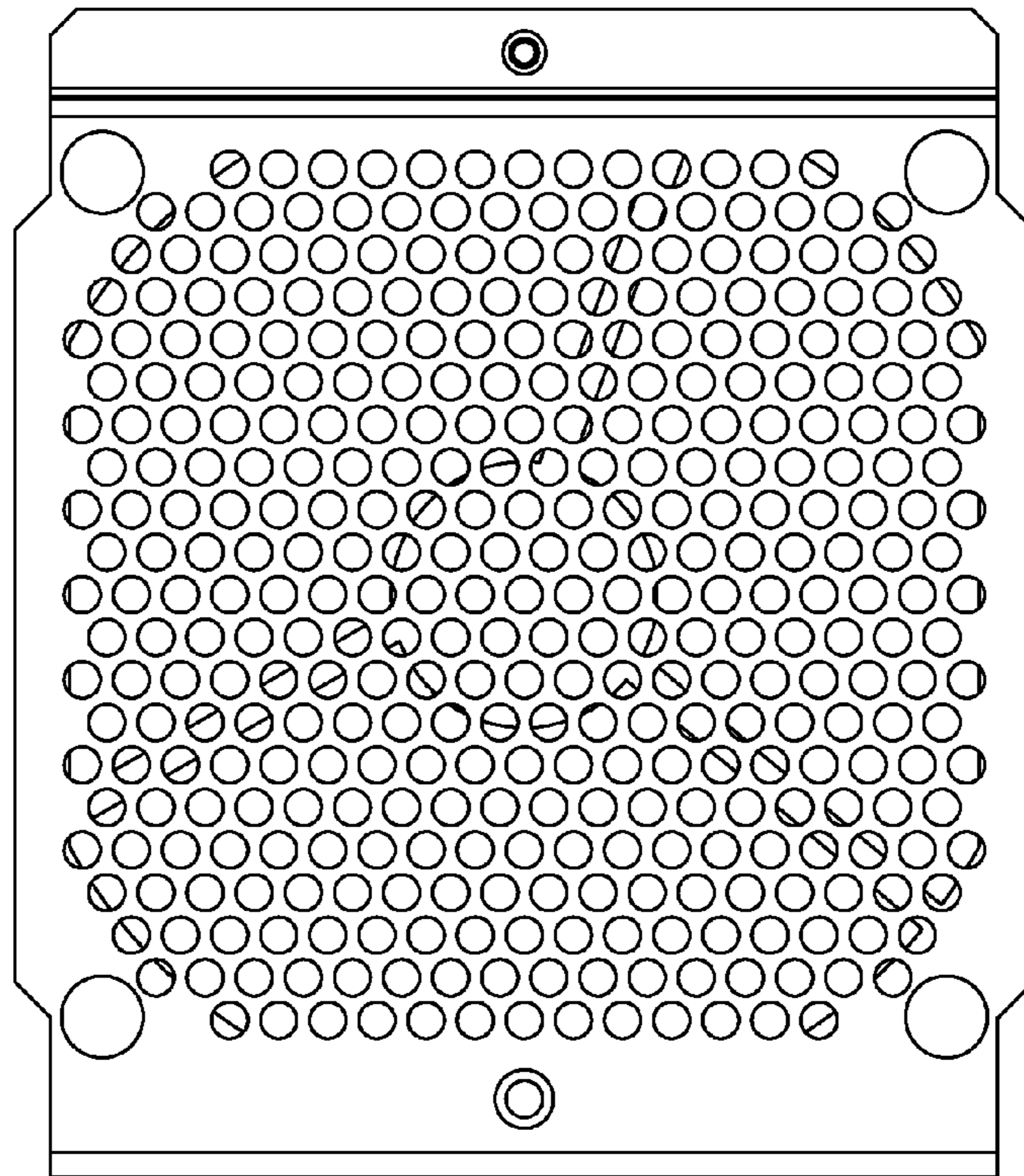


FIGURE 4

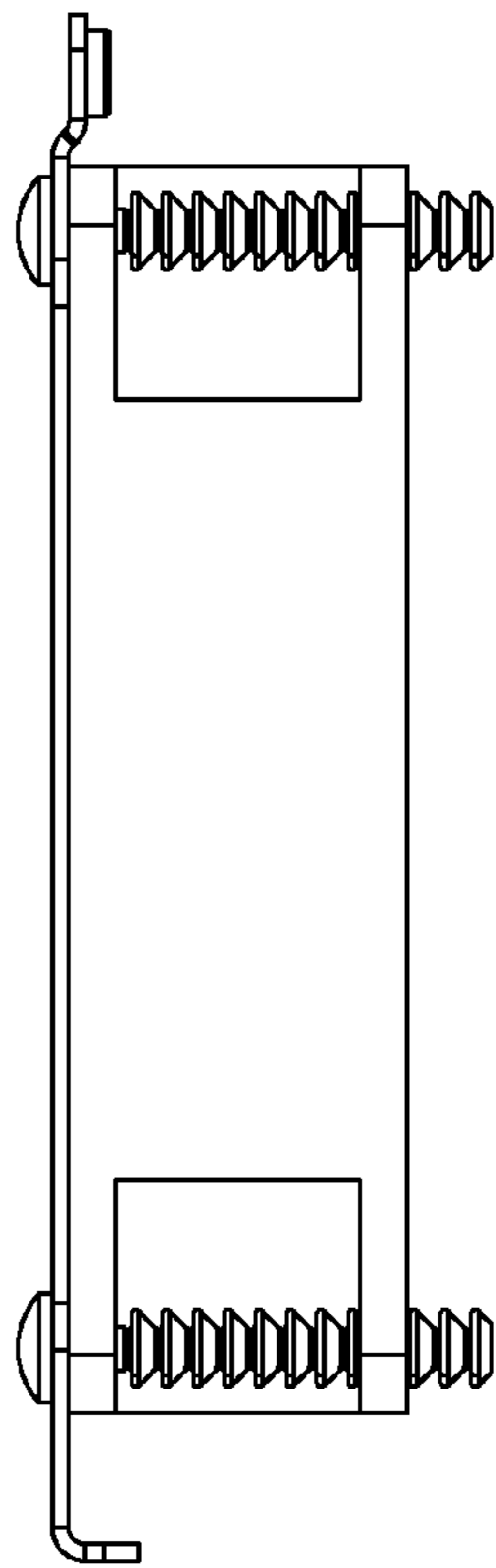


FIGURE 5

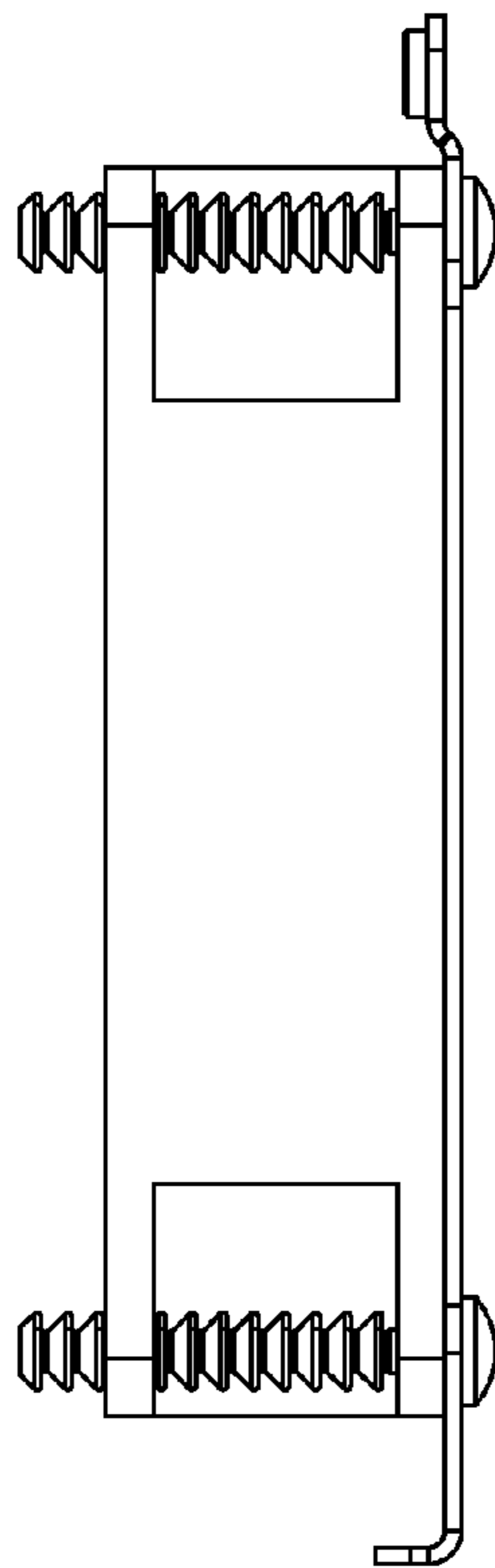


FIGURE 6

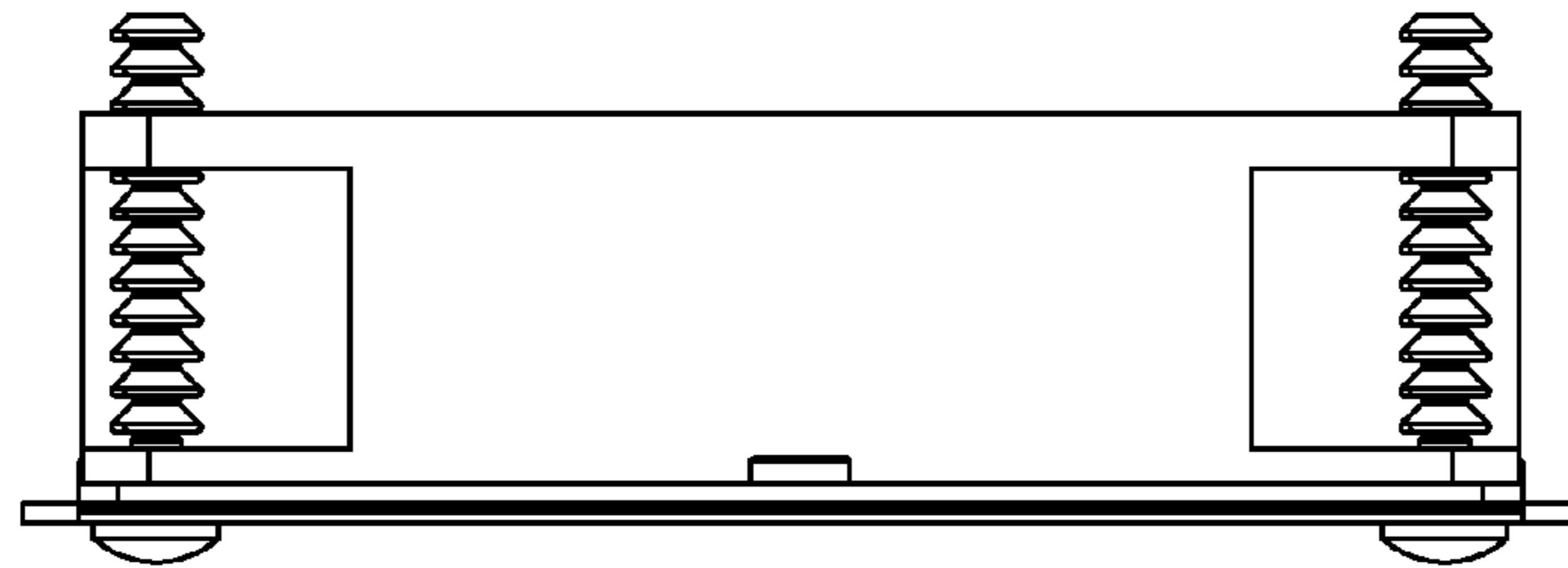


FIGURE 7

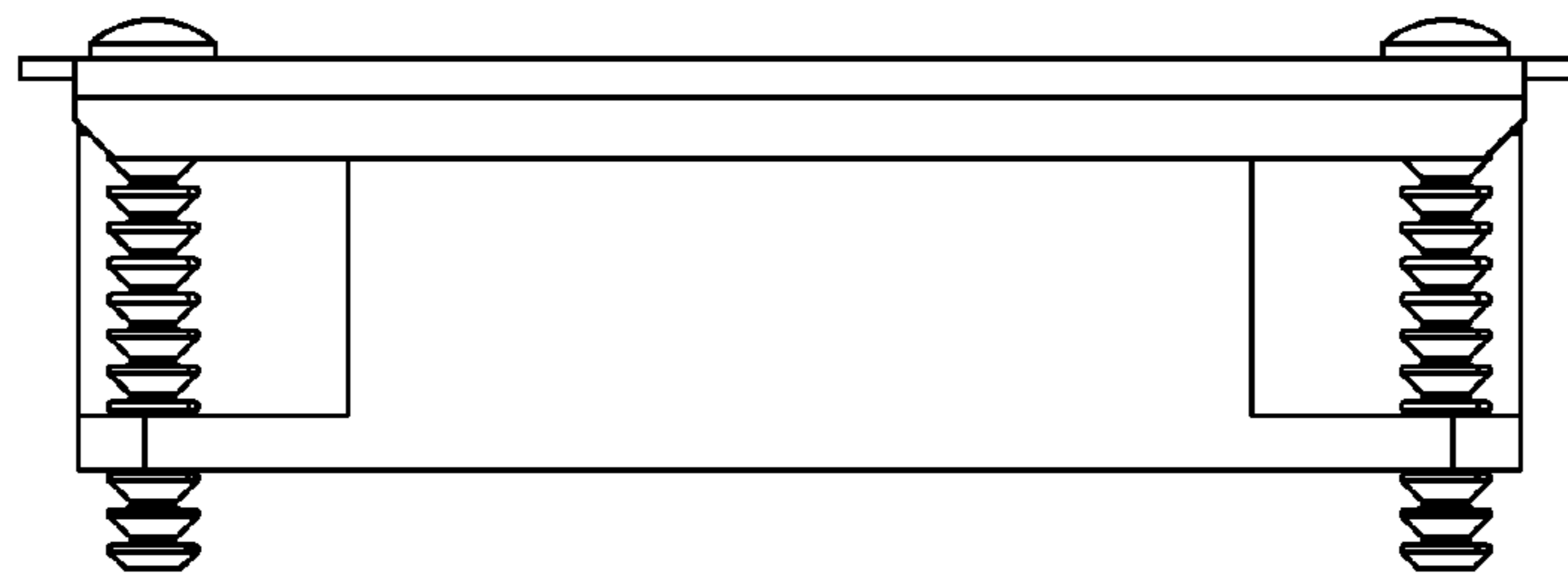


FIGURE 8

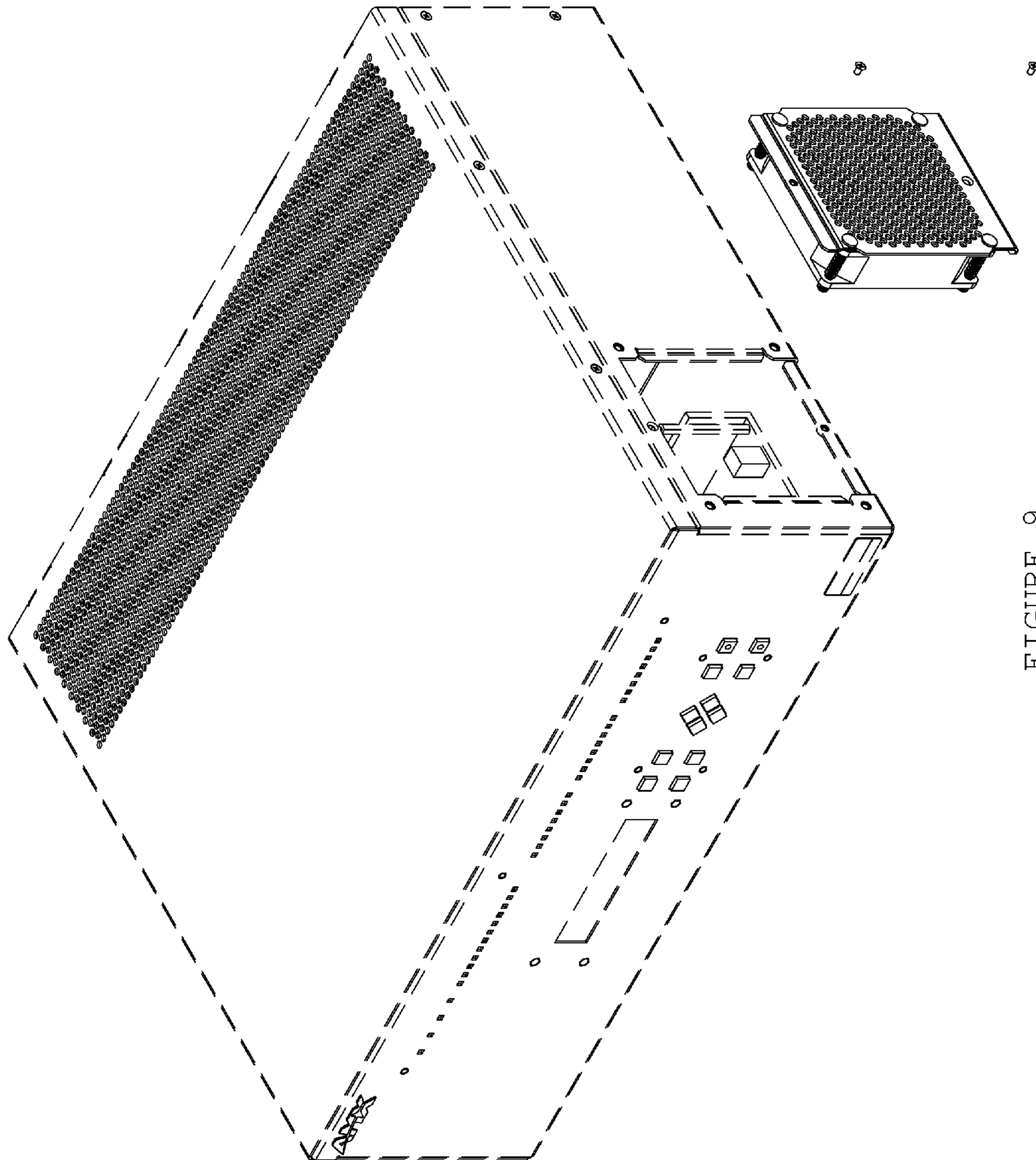


FIGURE 9