



US00D667536S

(12) **United States Design Patent**
Zengin

(10) **Patent No.:** **US D667,536 S**

(45) **Date of Patent:** **** Sep. 18, 2012**

(54) **MARINE AIR CONDITIONING UNIT**

(76) Inventor: **Huseyin Sait Zengin**, Miami, FL (US)

(**) Term: **14 Years**

(21) Appl. No.: **29/407,103**

(22) Filed: **Nov. 22, 2011**

(51) **LOC (9) Cl.** **23-04**

(52) **U.S. Cl.** **D23/351**

(58) **Field of Classification Search** D23/314,
D23/317, 332-333, 351, 383; 312/236; 62/259.1,
62/259.3, 259.4, 262-263, 304, 401, 515-516;
454/330-331, 349-350, 354

See application file for complete search history.

(56) **References Cited**

U.S. PATENT DOCUMENTS

D345,009 S *	3/1994	Lewis et al.	D23/333
D393,702 S *	4/1998	Haeck	D23/328
D430,277 S *	8/2000	Schmulling	D23/333
D497,420 S *	10/2004	Grey	D23/351
D503,788 S *	4/2005	Wang et al.	D23/383
D553,725 S *	10/2007	Shimizu	D23/351

D579,100 S *	10/2008	Lin	D23/383
D599,464 S *	9/2009	Noda	D23/383

* cited by examiner

Primary Examiner — Brian N Vinson

(74) *Attorney, Agent, or Firm* — Christopher J. Vandam, PA;
Chris Vandam

(57) **CLAIM**

I claim the ornamental design for a marine air conditioning unit, as shown and described.

DESCRIPTION

FIG. 1 shows a front elevation view of a marine air conditioning unit.

FIG. 2 shows a rear side elevation view.

FIG. 3 shows a right side elevation view.

FIG. 4 shows a left side elevation view.

FIG. 5 shows a top plan view.

FIG. 6 shows a bottom plan view.

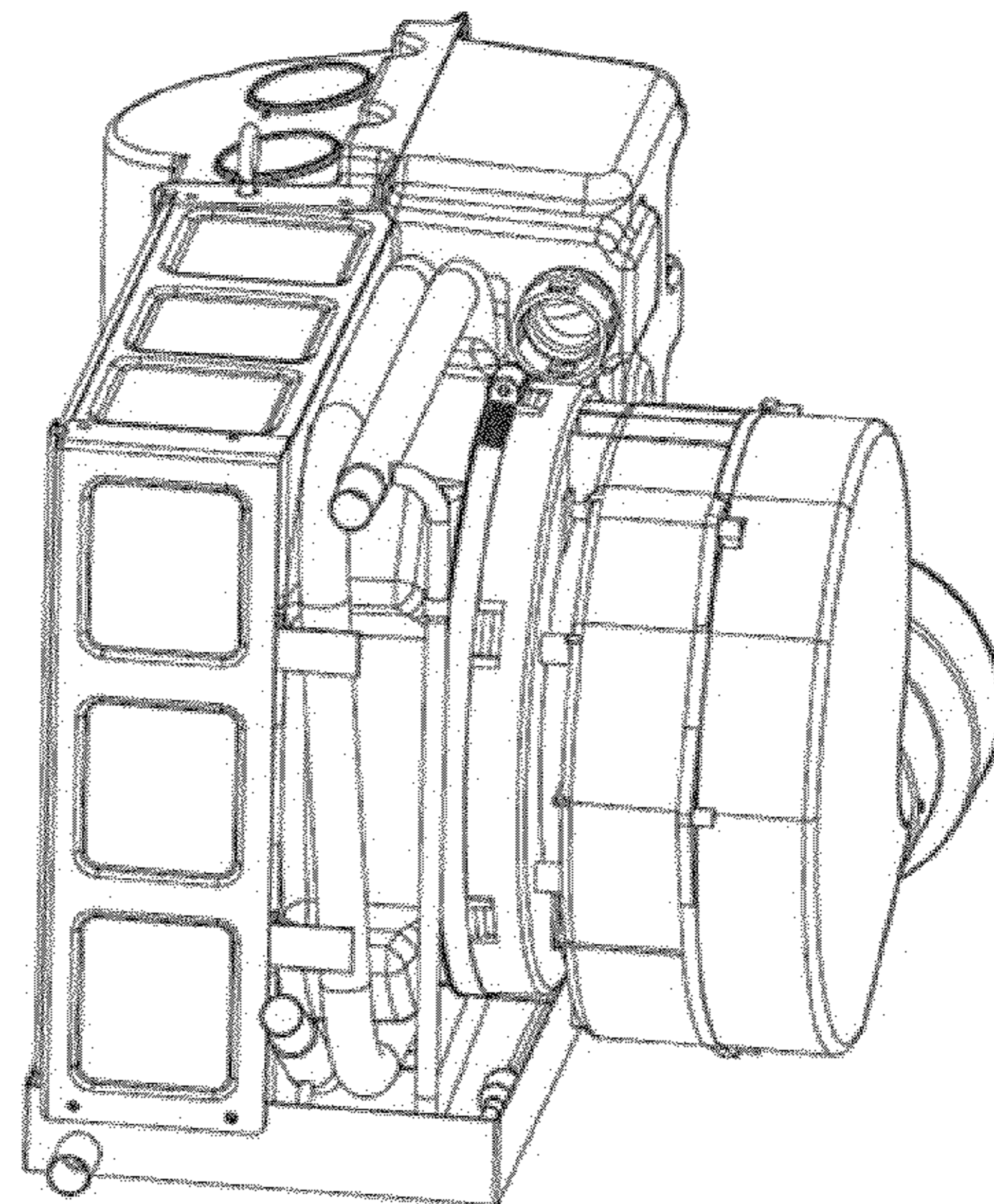
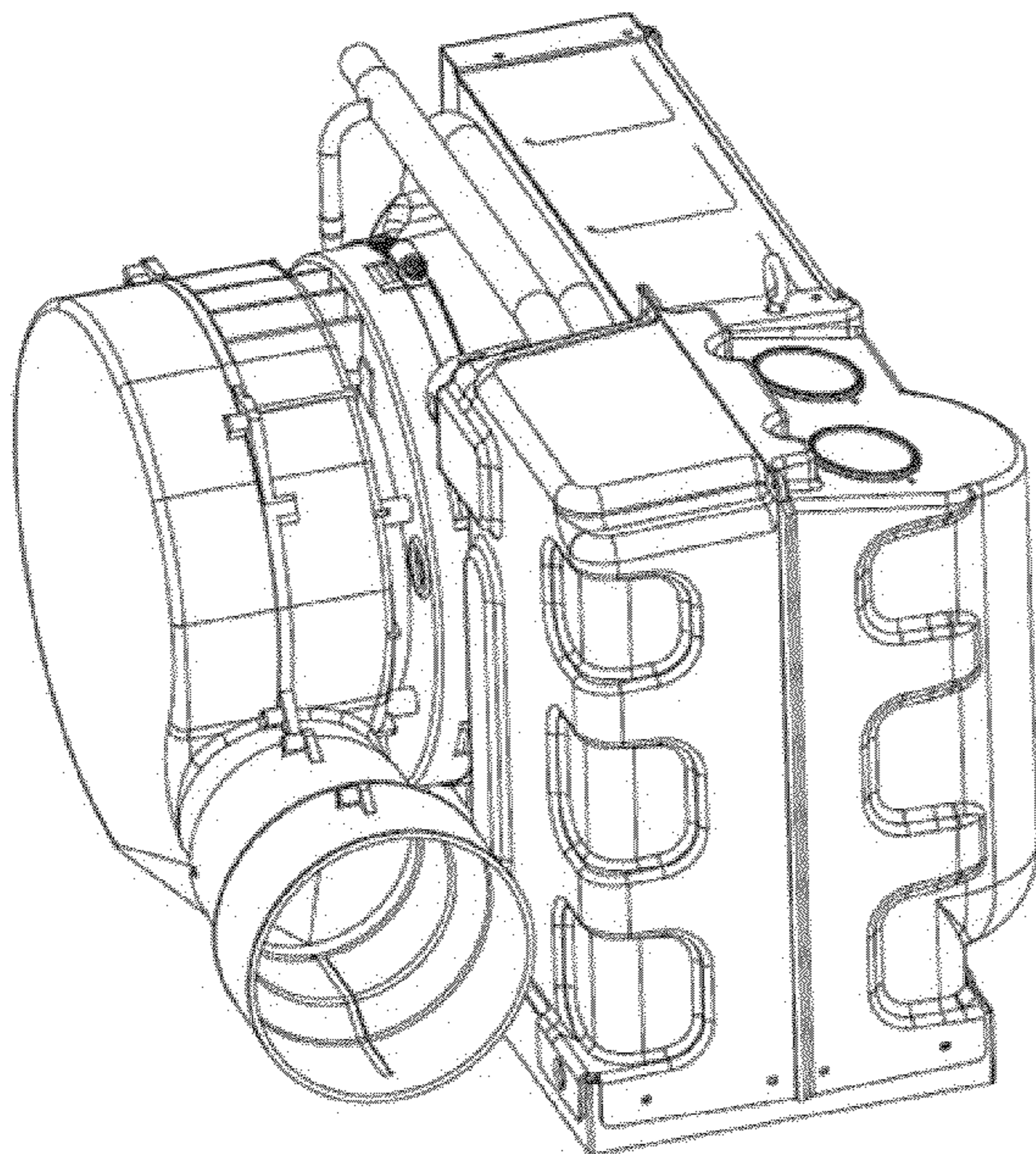
FIG. 7 shows a perspective view.

FIG. 8 shows a perspective view.

FIG. 9 shows a perspective view; and,

FIG. 10 shows a perspective view.

1 Claim, 2 Drawing Sheets



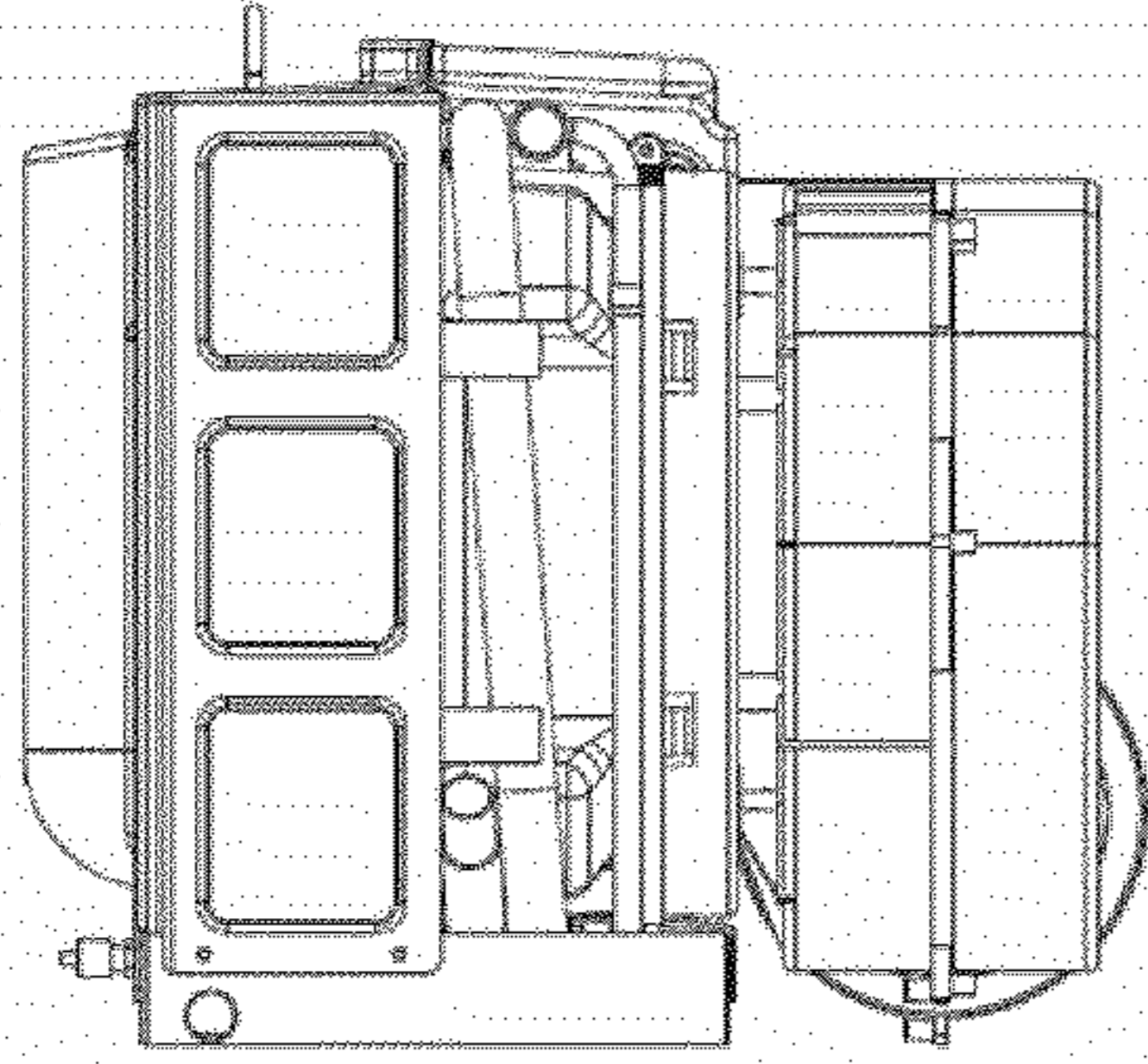


Fig. 1

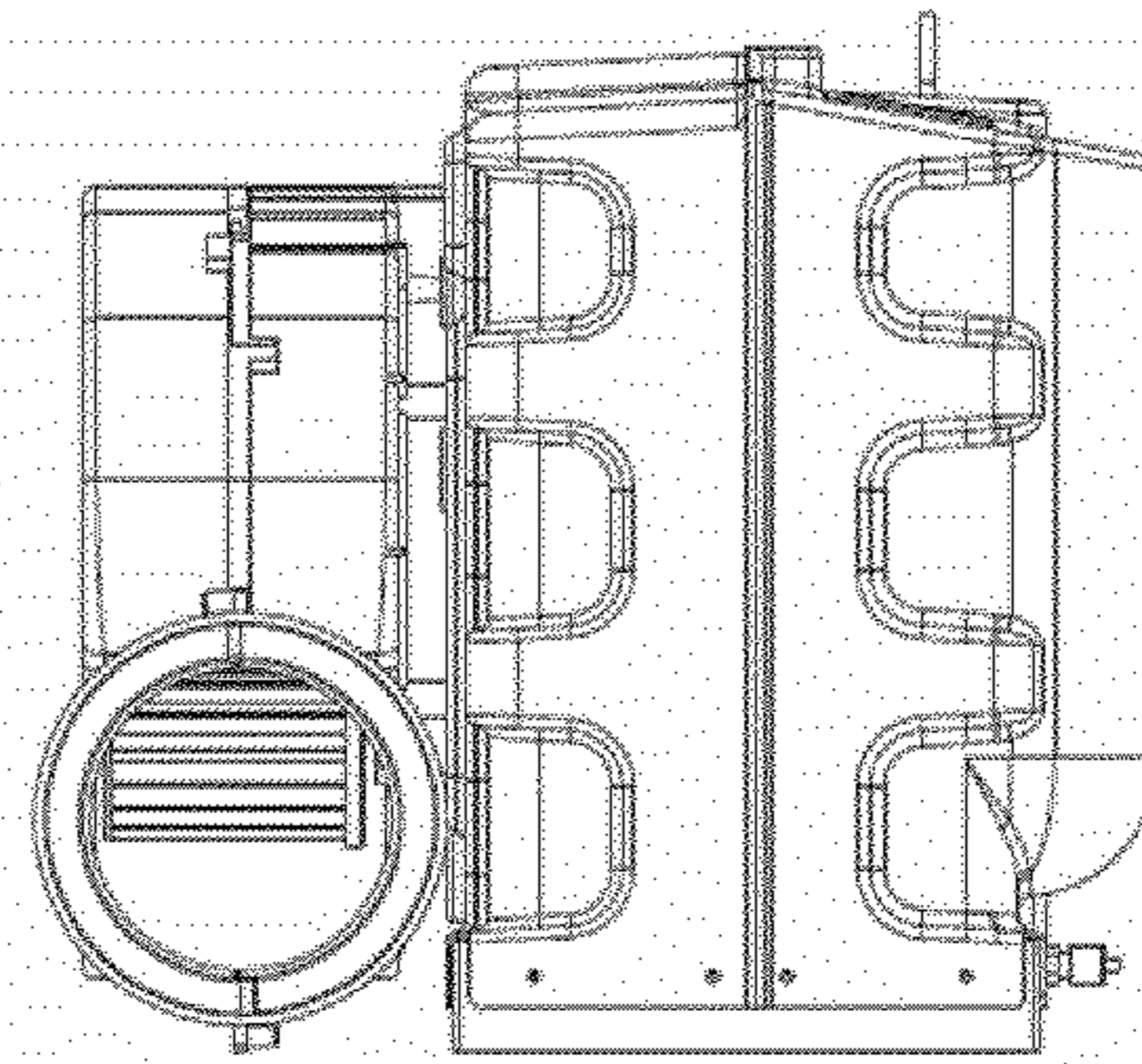


Fig. 2

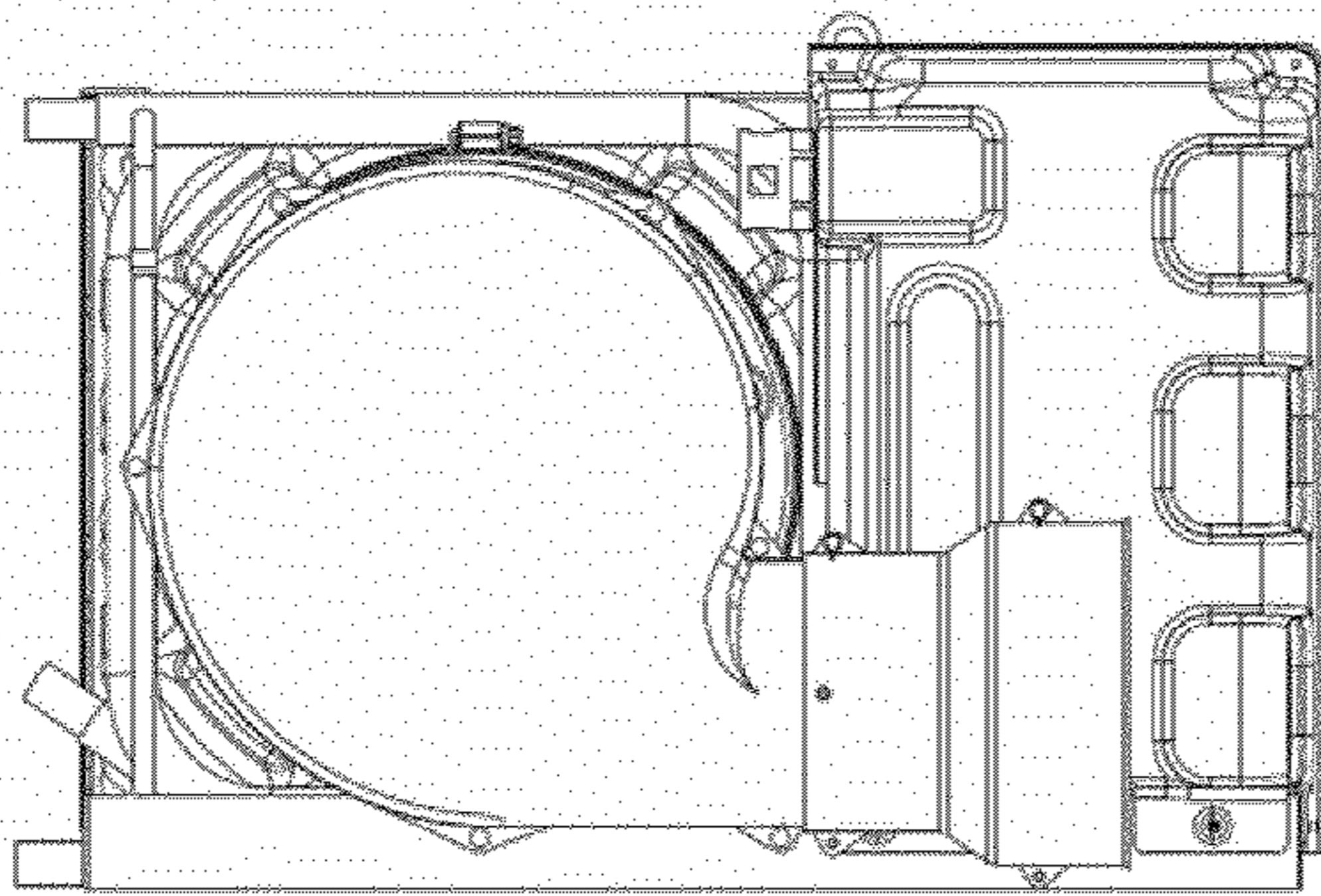


Fig. 3

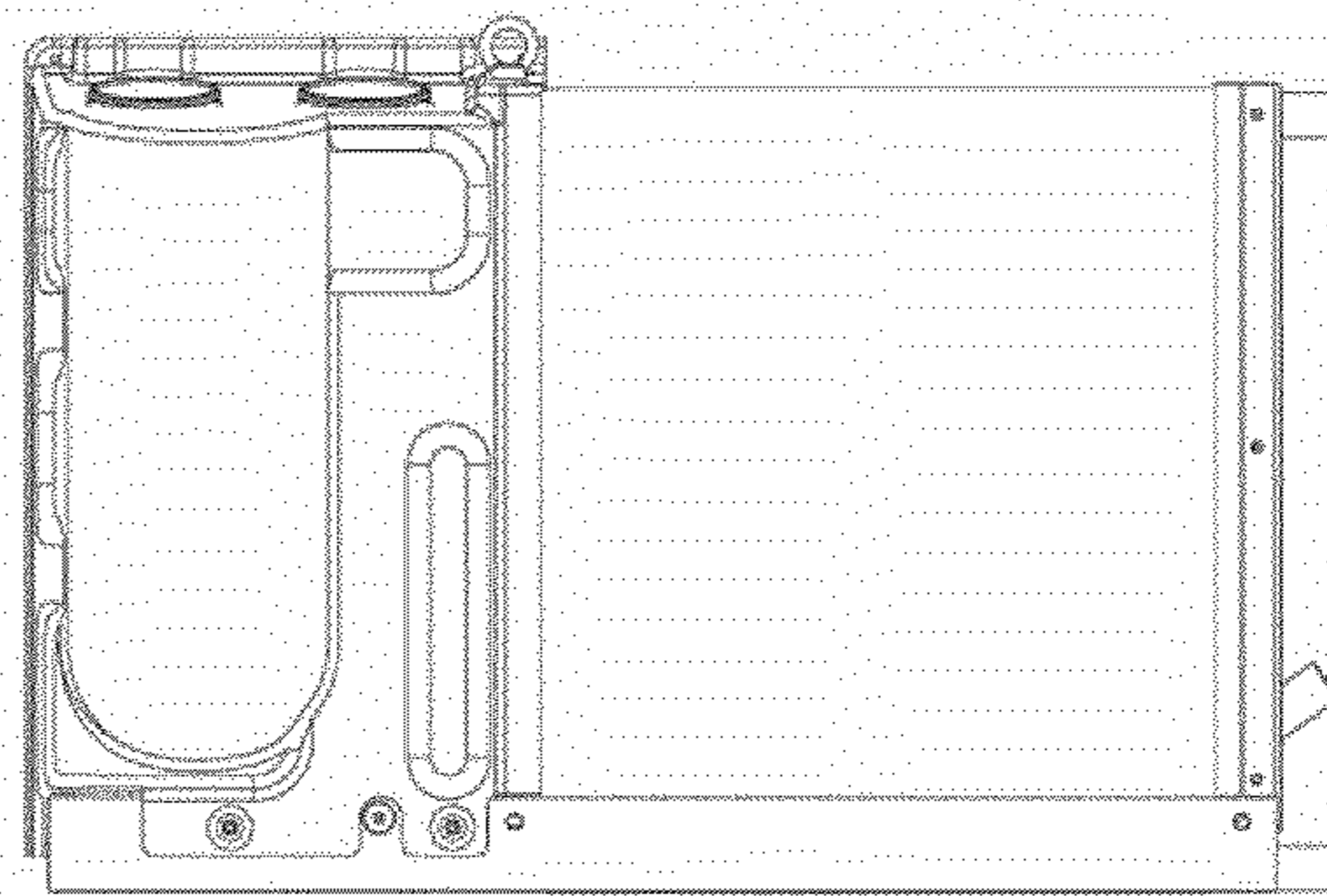


Fig. 4

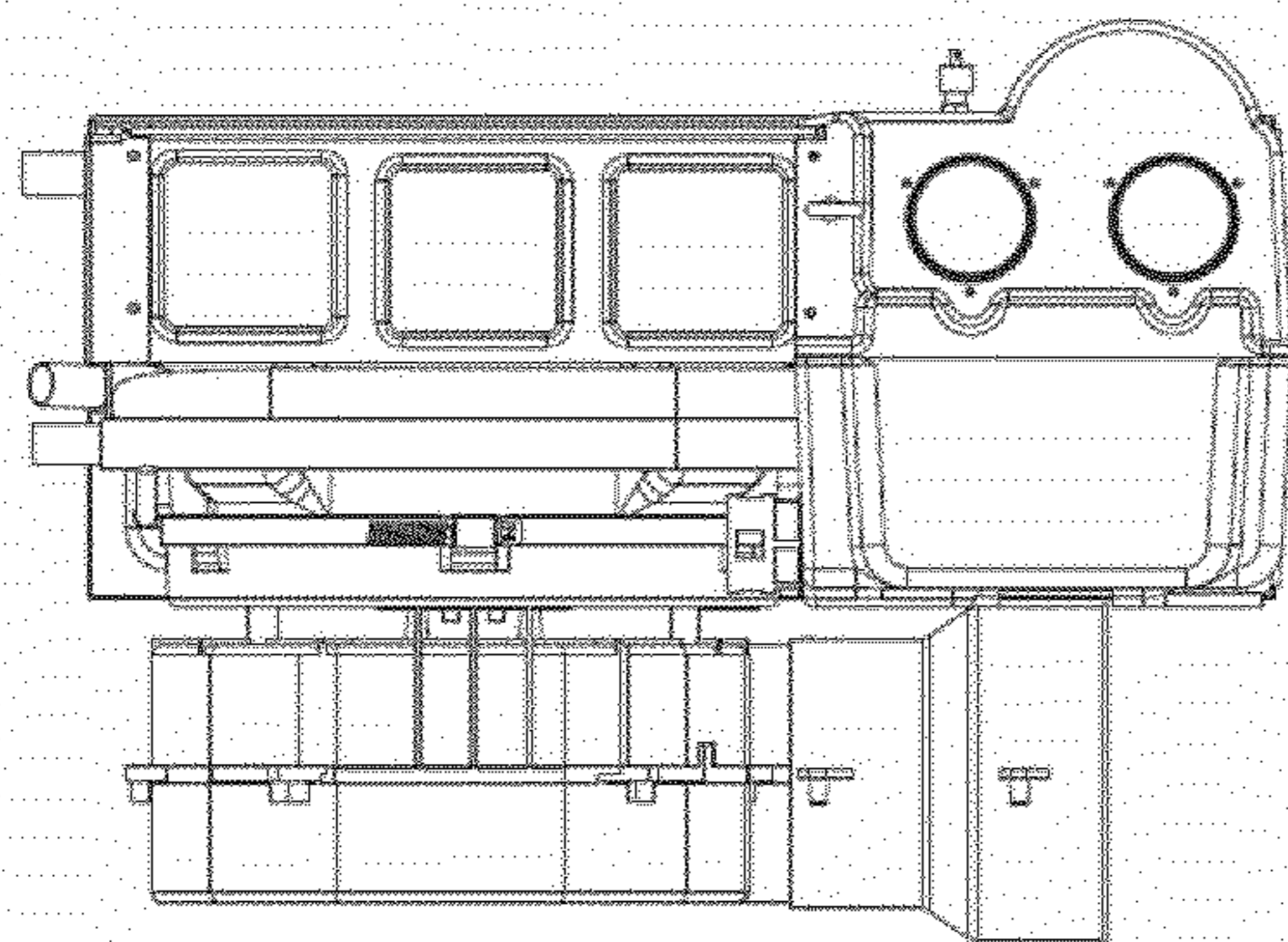


Fig. 5

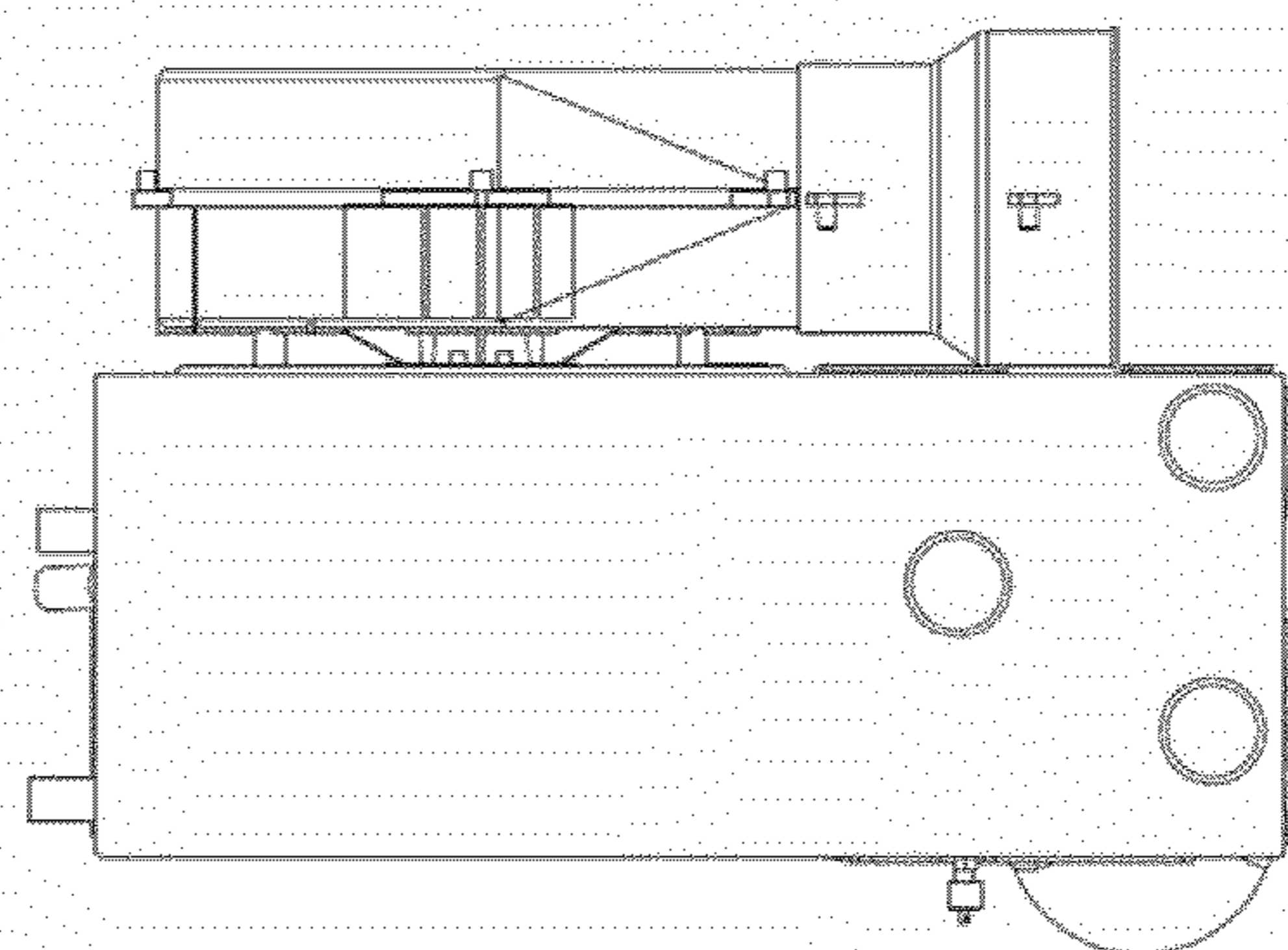


Fig. 6

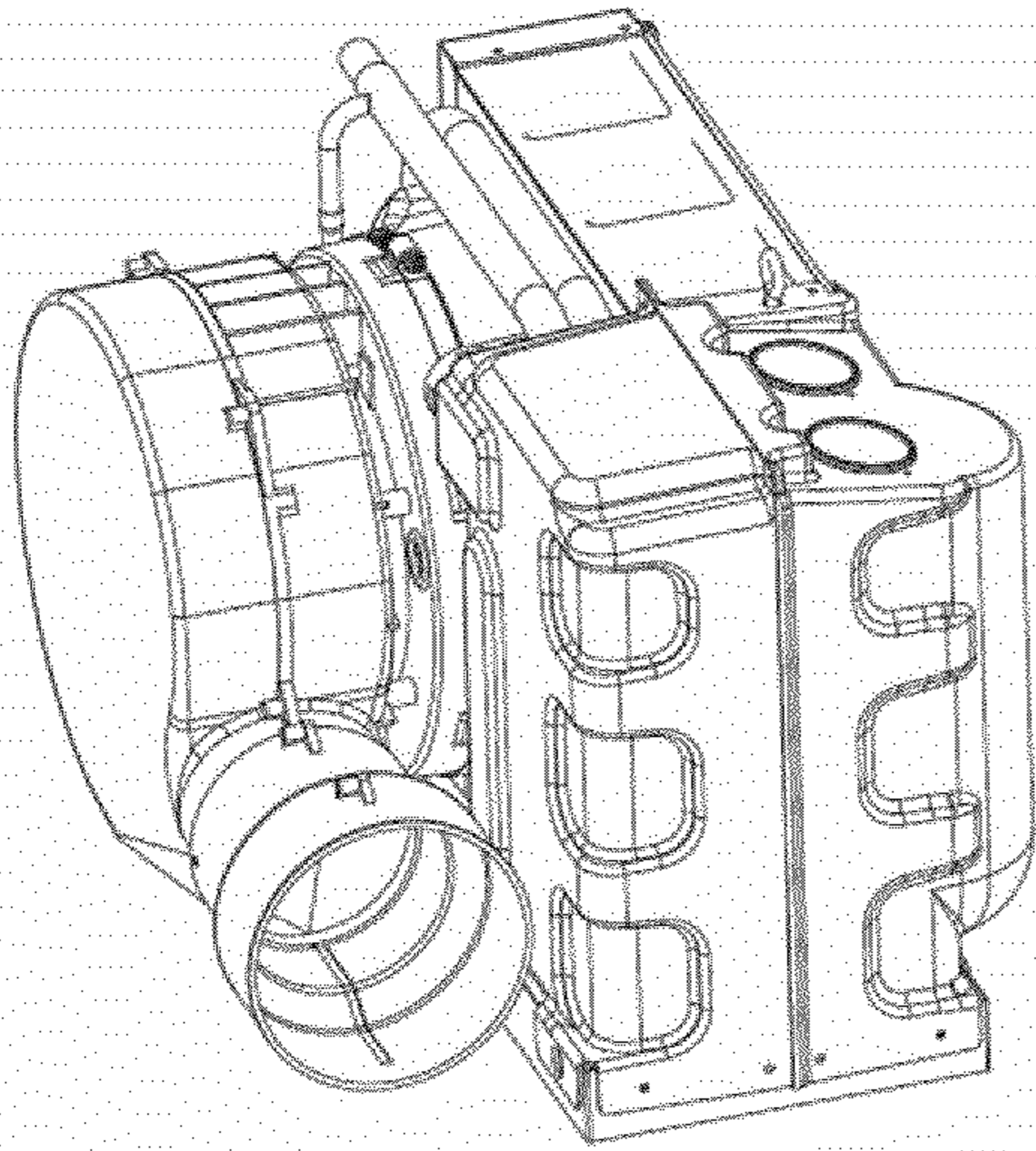


Fig. 7

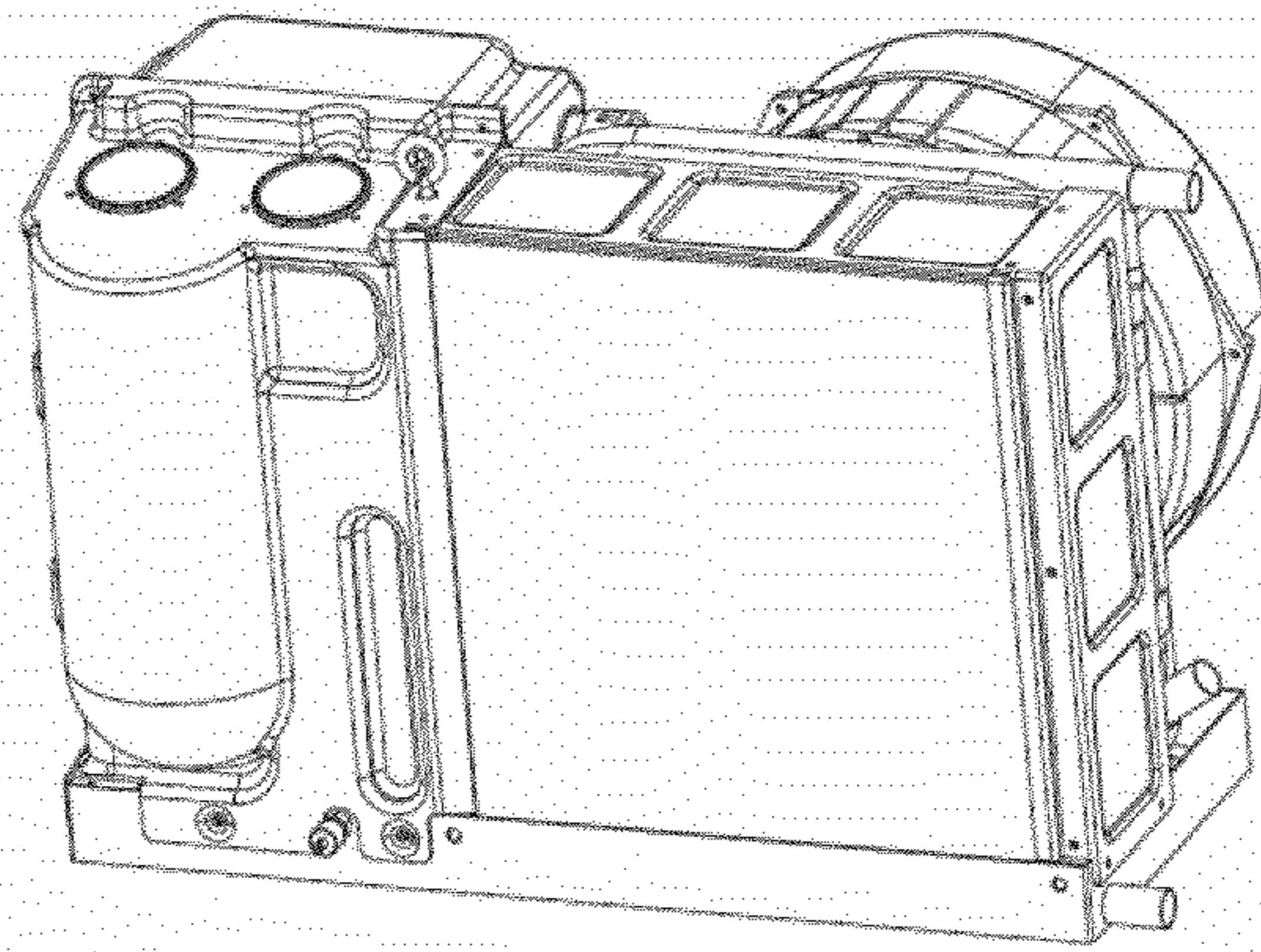


Fig. 8

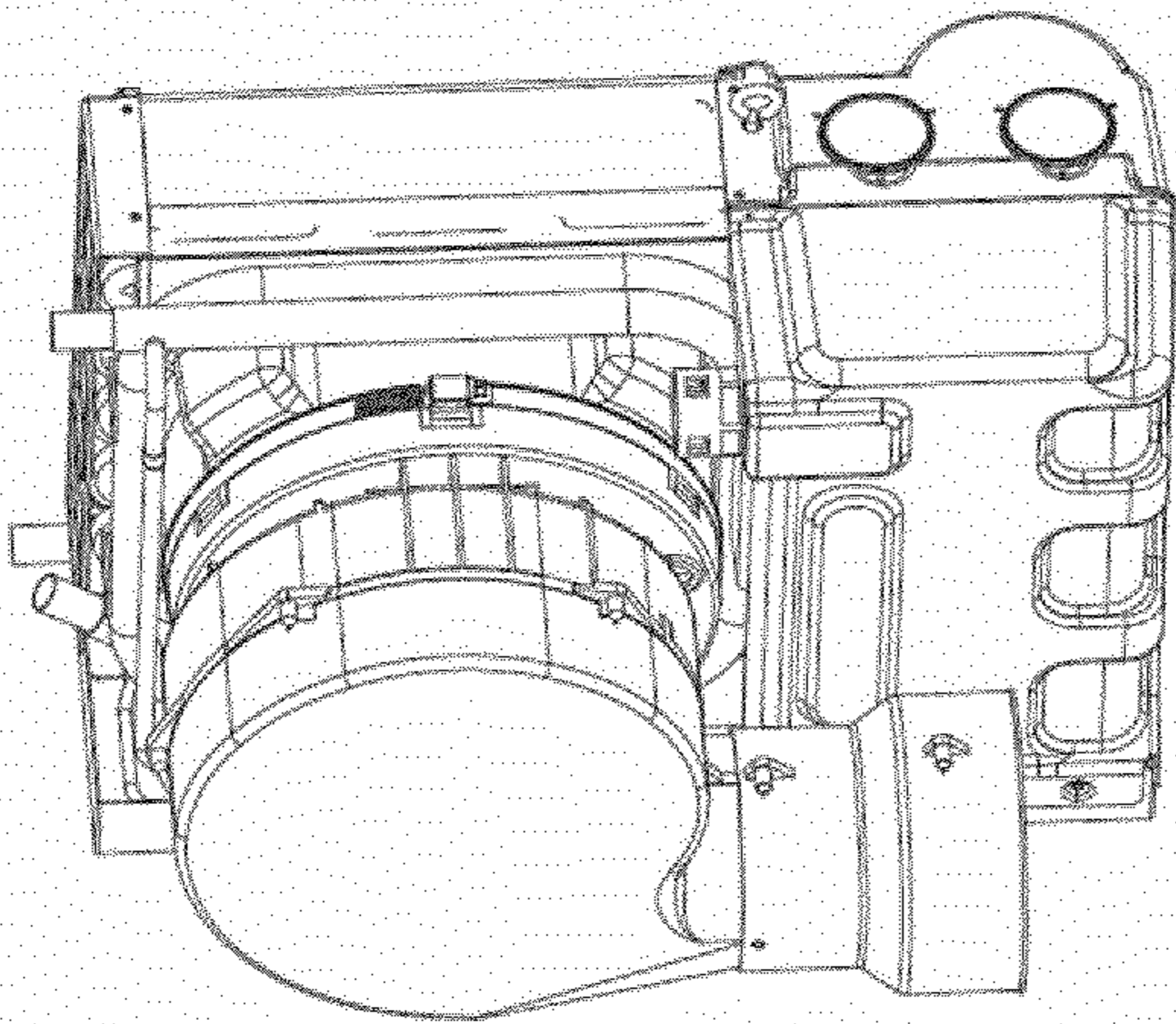


Fig. 9

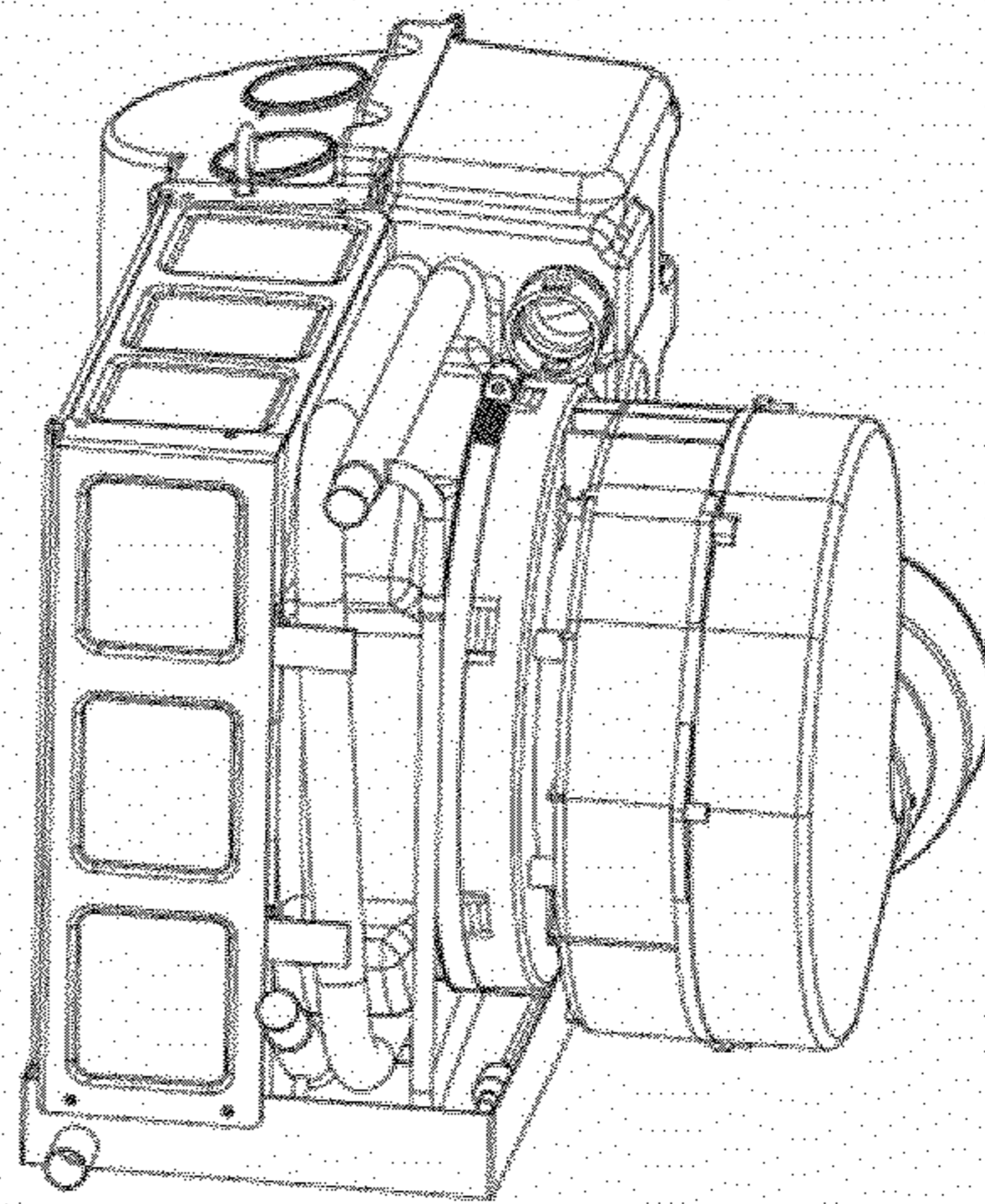


Fig. 10