



US00D667535S

(12) **United States Design Patent**  
**Baek et al.**

(10) **Patent No.:** **US D667,535 S**

(45) **Date of Patent:** **\*\* Sep. 18, 2012**

(54) **AIR CONDITIONER**

(75) Inventors: **Seungho Baek**, Seoul (KR); **Hyein Jung**, Seoul (KR); **Joogyeon Kim**, Seoul (KR); **Gangui Cho**, Seoul (KR)

(73) Assignee: **LG Electronics Inc.**, Seoul (KR)

(\*\*) Term: **14 Years**

(21) Appl. No.: **29/393,711**

(22) Filed: **Jun. 8, 2011**

(30) **Foreign Application Priority Data**

Dec. 27, 2010 (KR) ..... 30-2010-0056071

(51) **LOC (9) Cl.** ..... **23-04**

(52) **U.S. Cl.** ..... **D23/351**

(58) **Field of Classification Search** ..... D23/351-354,  
D23/385, 355, 357, 361; 312/236; 62/259.1,  
62/259.4, 262-263, 304; 454/330-331, 349-350  
See application file for complete search history.

(56) **References Cited**

**U.S. PATENT DOCUMENTS**

D566,254 S \* 4/2008 Lim ..... D23/351  
D580,534 S \* 11/2008 Oh et al. .... D23/351  
D584,806 S \* 1/2009 Oh et al. .... D23/351

D605,266 S \* 12/2009 Nakamura et al. .... D23/351  
D613,842 S \* 4/2010 Yamashita ..... D23/351  
D641,848 S \* 7/2011 Seki ..... D23/351  
D642,250 S \* 7/2011 Chouji ..... D23/351  
D648,012 S \* 11/2011 Baek et al. .... D23/351  
D648,014 S \* 11/2011 Baek et al. .... D23/351  
D656,596 S \* 3/2012 Kim et al. .... D23/351

\* cited by examiner

*Primary Examiner* — Brian N Vinson

(74) *Attorney, Agent, or Firm* — Birch, Stewart, Kolasch & Birch, LLP

(57) **CLAIM**

The ornamental design for a air conditioner, as shown and described.

**DESCRIPTION**

FIG. 1 is a top, front, perspective view of a air conditioner showing our new design;  
FIG. 2 is a front view thereof;  
FIG. 3 is a rear view thereof;  
FIG. 4 is a left side view thereof;  
FIG. 5 is a right side view thereof;  
FIG. 6 is a top view thereof; and,  
FIG. 7 is a bottom view thereof.

**1 Claim, 7 Drawing Sheets**

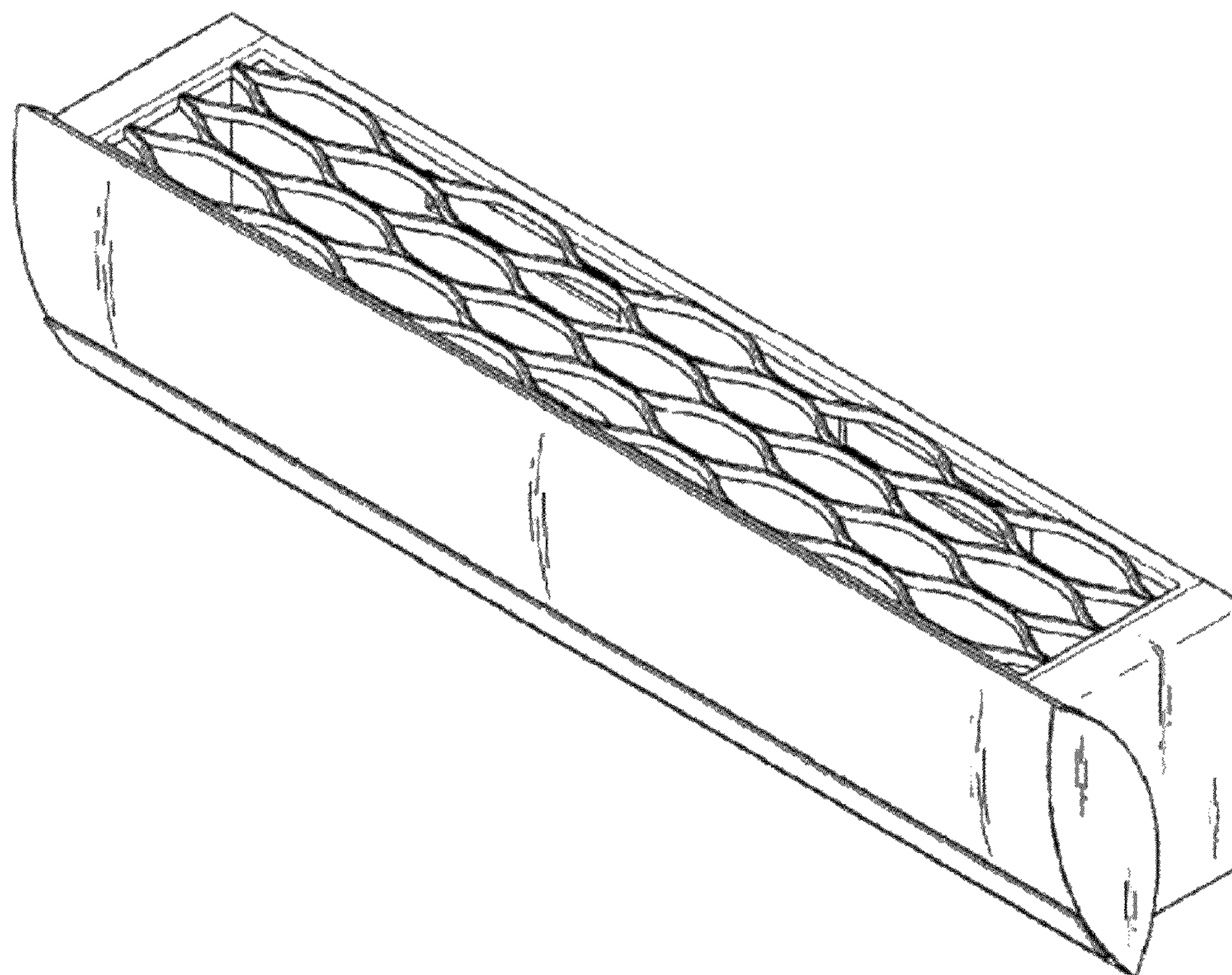


FIG. 1

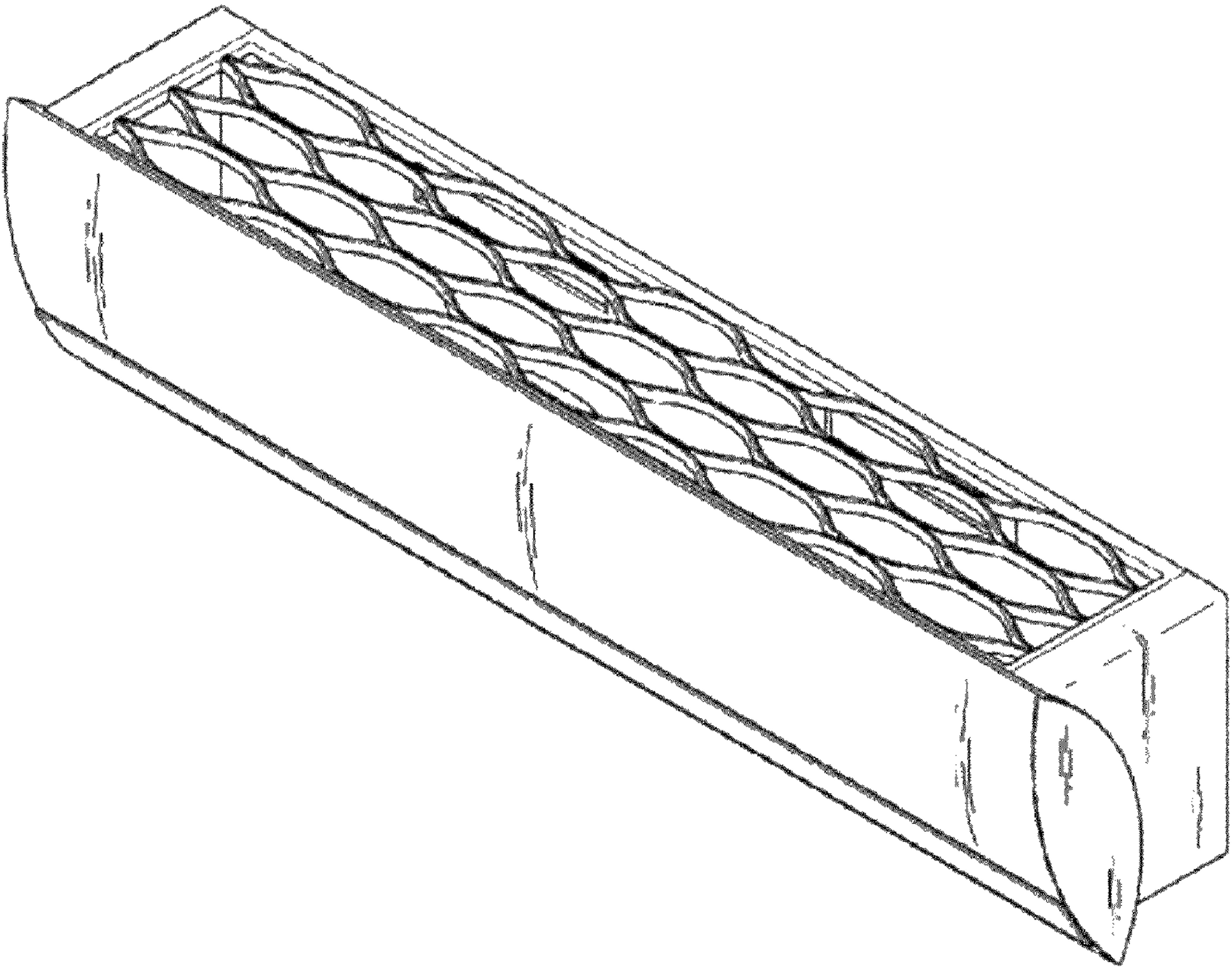


FIG. 2

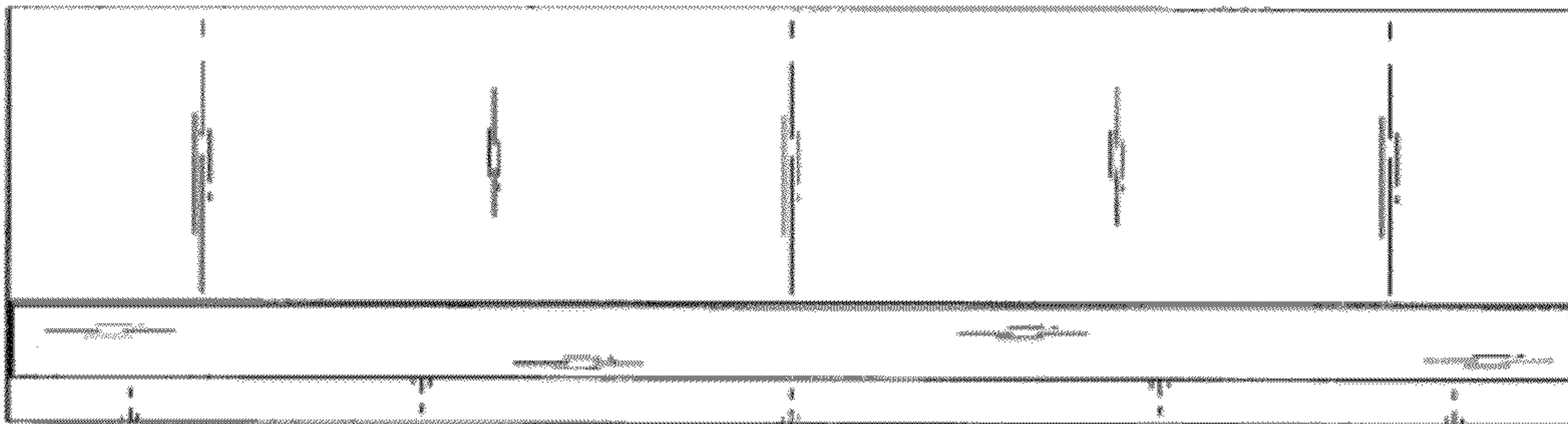
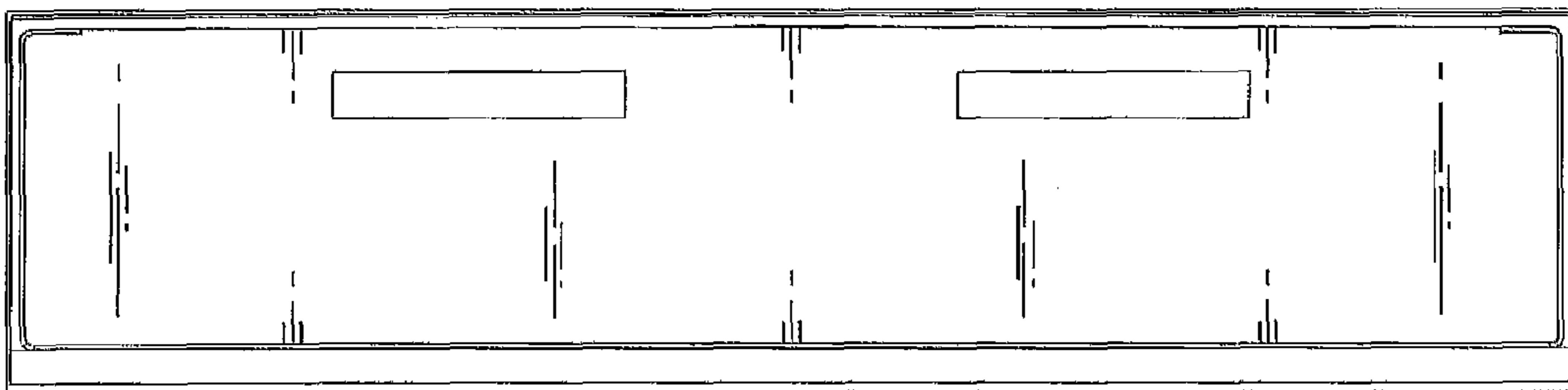
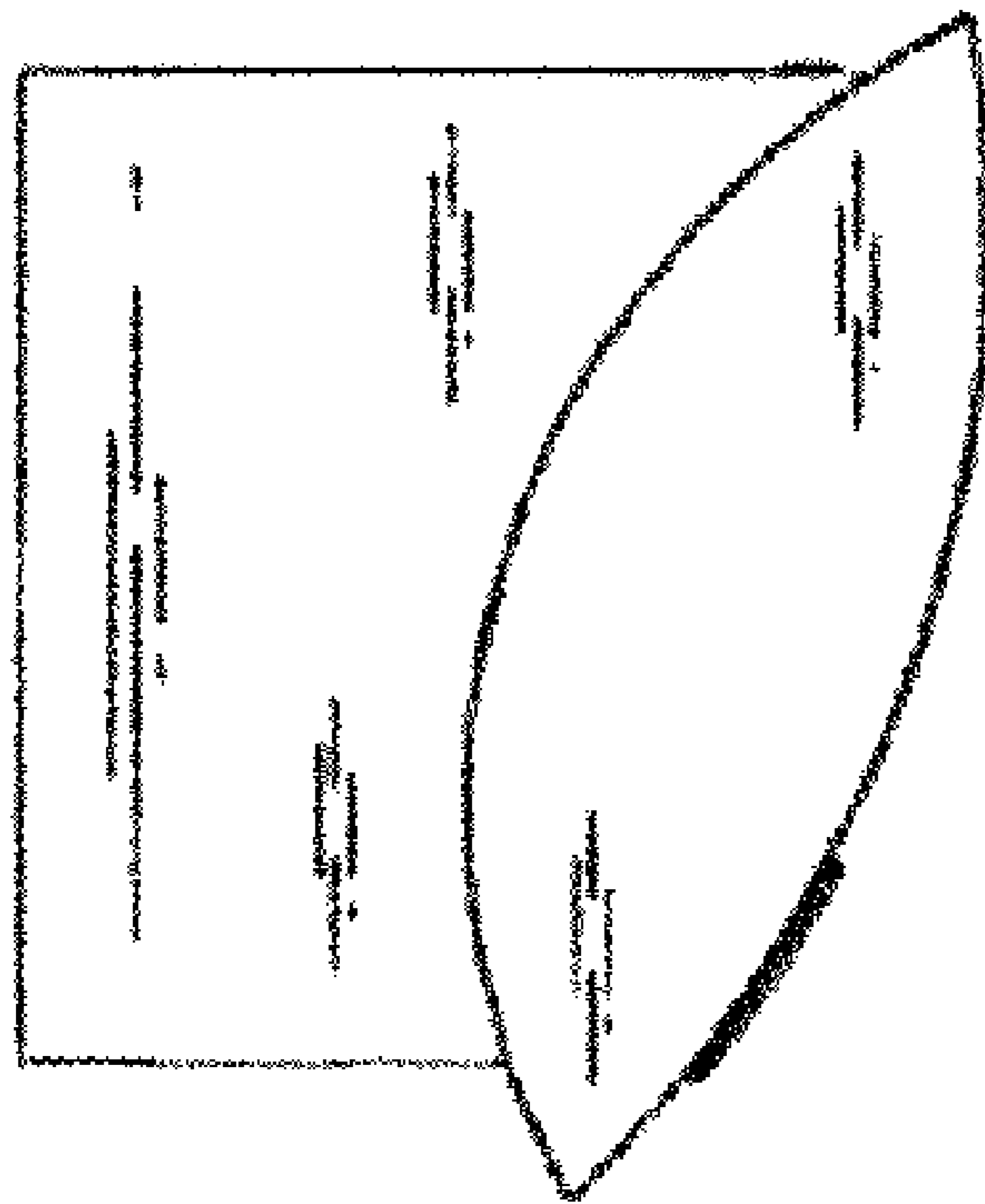


FIG. 3



# FIG. 4



# FIG. 5

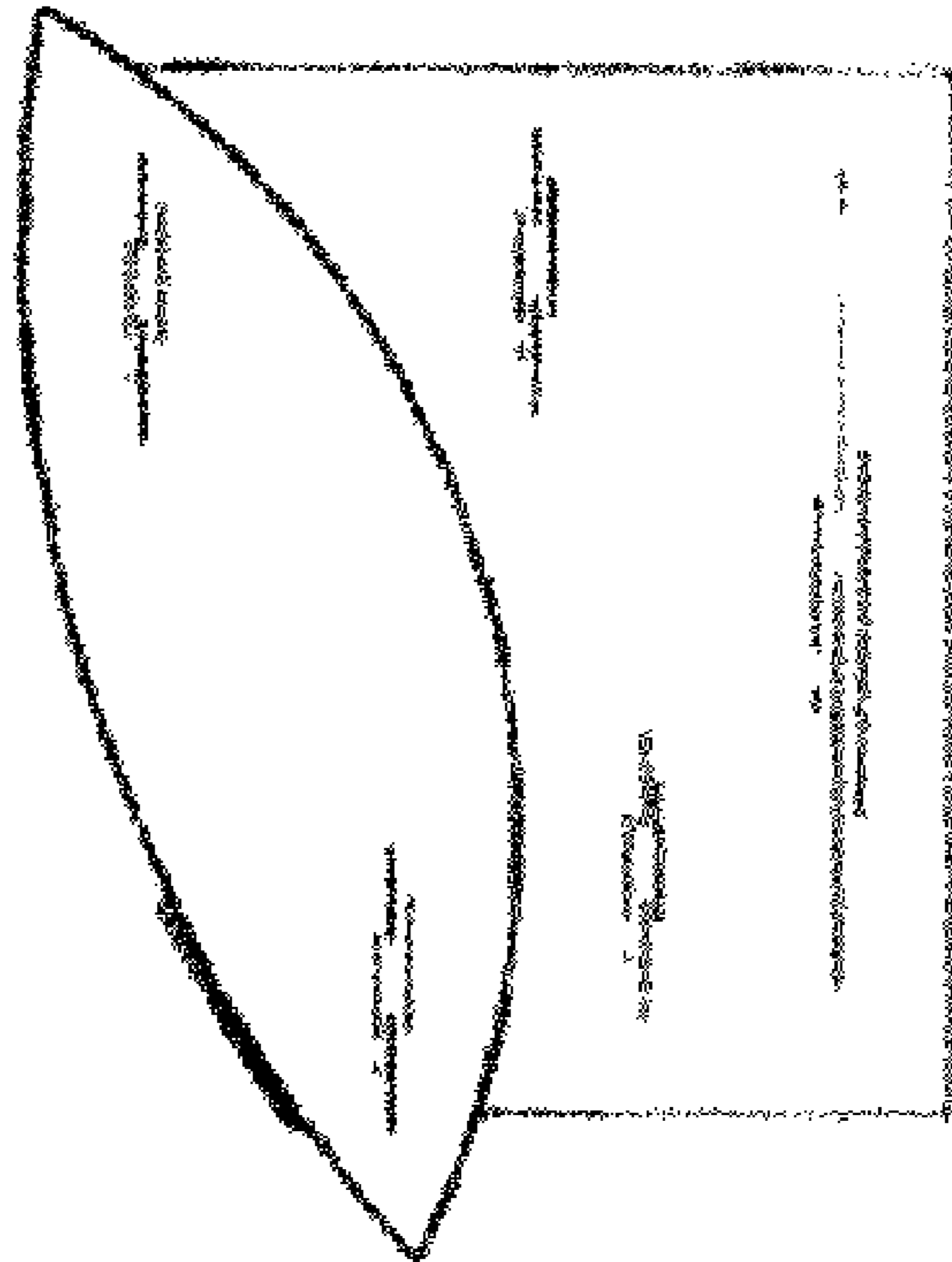


FIG. 6

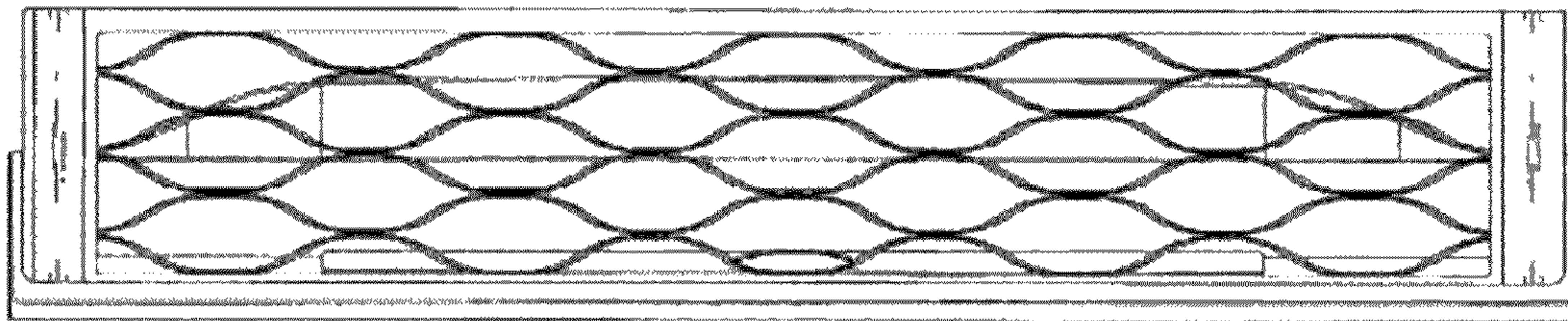


FIG. 7

