



US00D667534S

(12) **United States Design Patent**
Kent et al.

(10) **Patent No.:** **US D667,534 S**

(45) **Date of Patent:** **** Sep. 18, 2012**

(54) **FIREBOX**

(75) Inventors: **Jason Kent**, Guelph (CA); **Douglas G. Greenway**, Guelph (CA)

(73) Assignee: **Greenway Home Products Ltd.**, Guelph (CA)

(**) Term: **14 Years**

(21) Appl. No.: **29/395,223**

(22) Filed: **Dec. 20, 2011**

(51) **LOC (9) Cl.** **23-03**

(52) **U.S. Cl.** **D23/343**

(58) **Field of Classification Search** D23/342,
D23/351, 355, 378, 370, 381, 364, 336, 341,
D23/343, 344; 126/547, 92 AC, 92 B, 91 R,
126/200

See application file for complete search history.

(56) **References Cited**

U.S. PATENT DOCUMENTS

D264,497 S * 5/1982 Morande, Jr. D23/344
(Continued)

Primary Examiner — Eric Goodman

(74) *Attorney, Agent, or Firm* — Norton Rose Canada LLP

(57) **CLAIM**

The ornamental design for a firebox, as shown and described.

DESCRIPTION

FIG. 1 is a front perspective view of a first embodiment of the firebox.

FIG. 2 is a back perspective view of FIG. 1.

FIG. 3 is a front plan view of FIG. 1.

FIG. 4 is a back plan view of FIG. 1.

FIG. 5 is a right plan view of FIG. 1.

FIG. 6 is a left plan view of FIG. 1.

FIG. 7 is a top plan view of FIG. 1.

FIG. 8 is a bottom plan view of FIG. 1.

FIG. 9 is a front perspective view of a second embodiment of the firebox.

FIG. 10 is a back perspective view of FIG. 9.

FIG. 11 is a front plan view of FIG. 9.

FIG. 12 is a back plan view of FIG. 9.

FIG. 13 is a right plan view of FIG. 9.

FIG. 14 is a left plan view of FIG. 9.

FIG. 15 is a top plan view of FIG. 9.

FIG. 16 is a bottom plan view of FIG. 9.

FIG. 17 is a front perspective view of a third embodiment of the firebox.

FIG. 18 is a back perspective view of FIG. 17.

FIG. 19 is a front plan view of FIG. 17.

FIG. 20 is a back plan view of FIG. 17.

FIG. 21 is a right plan view of FIG. 17.

FIG. 22 is a left plan view of FIG. 17.

FIG. 23 is a top plan view of FIG. 17.

FIG. 24 is a bottom plan view of FIG. 17.

FIG. 25 is a front perspective view of a fourth embodiment of the firebox.

FIG. 26 is a back perspective view of FIG. 25.

FIG. 27 is a front plan view of FIG. 25.

FIG. 28 is a back plan view of FIG. 25.

FIG. 29 is a right plan view of FIG. 25.

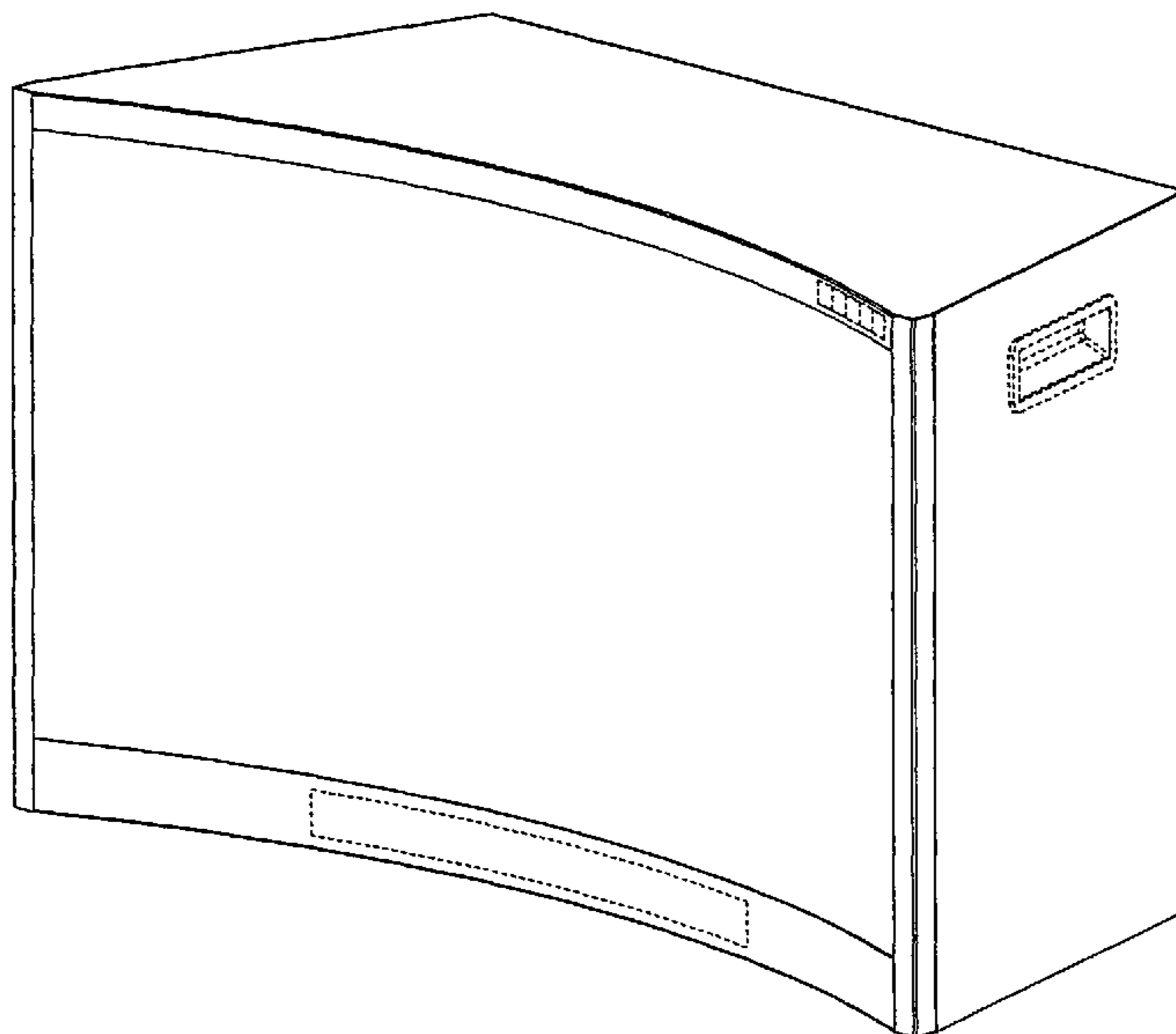
FIG. 30 is a left plan view of FIG. 25.

FIG. 31 is a top plan view of FIG. 25; and,

FIG. 32 is a bottom plan view of FIG. 25.

The broken line showing is included for the purpose of illustrating portions of the article and forms no part of the claimed design.

1 Claim, 32 Drawing Sheets



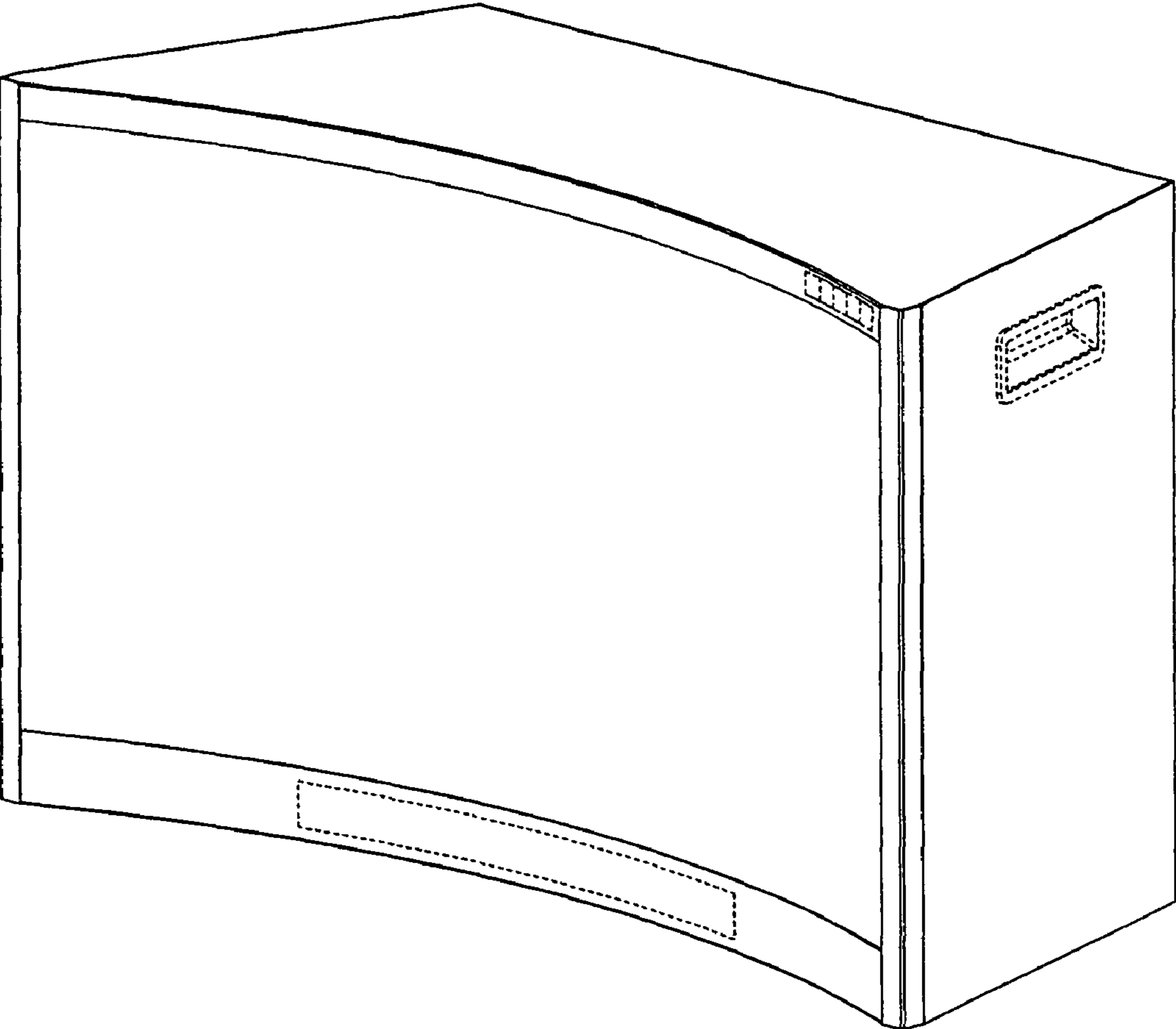


FIG.1

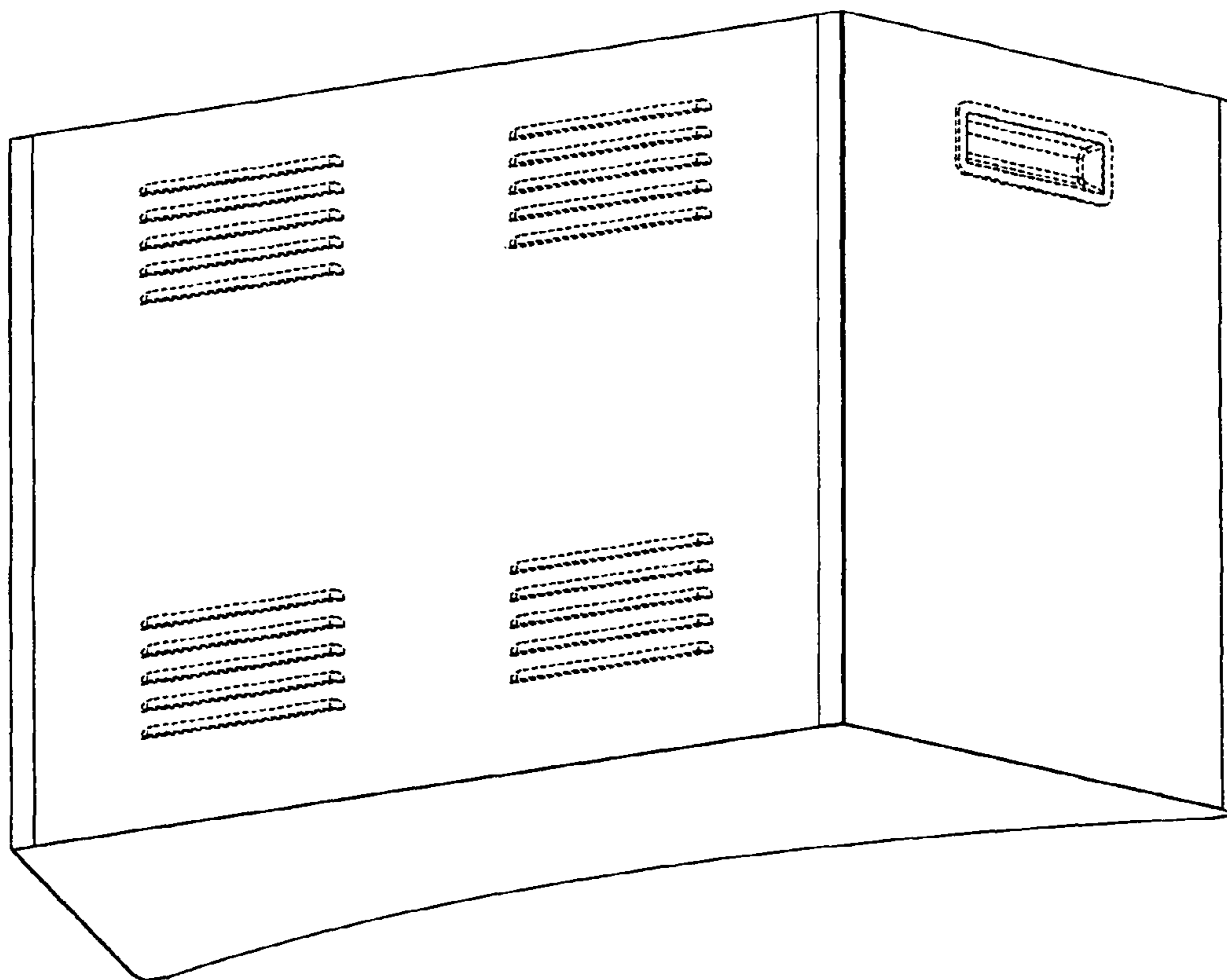


FIG.2

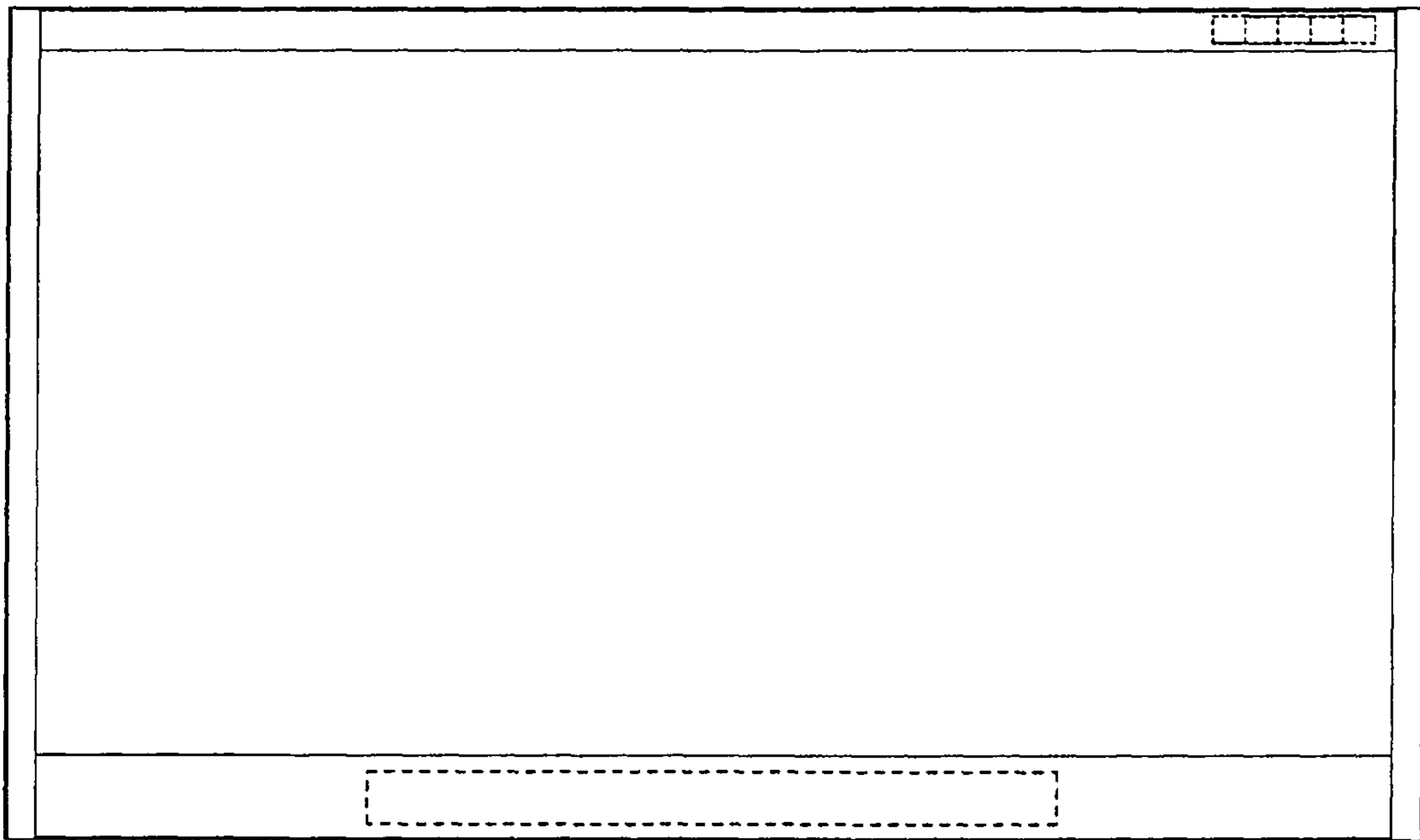


FIG.3

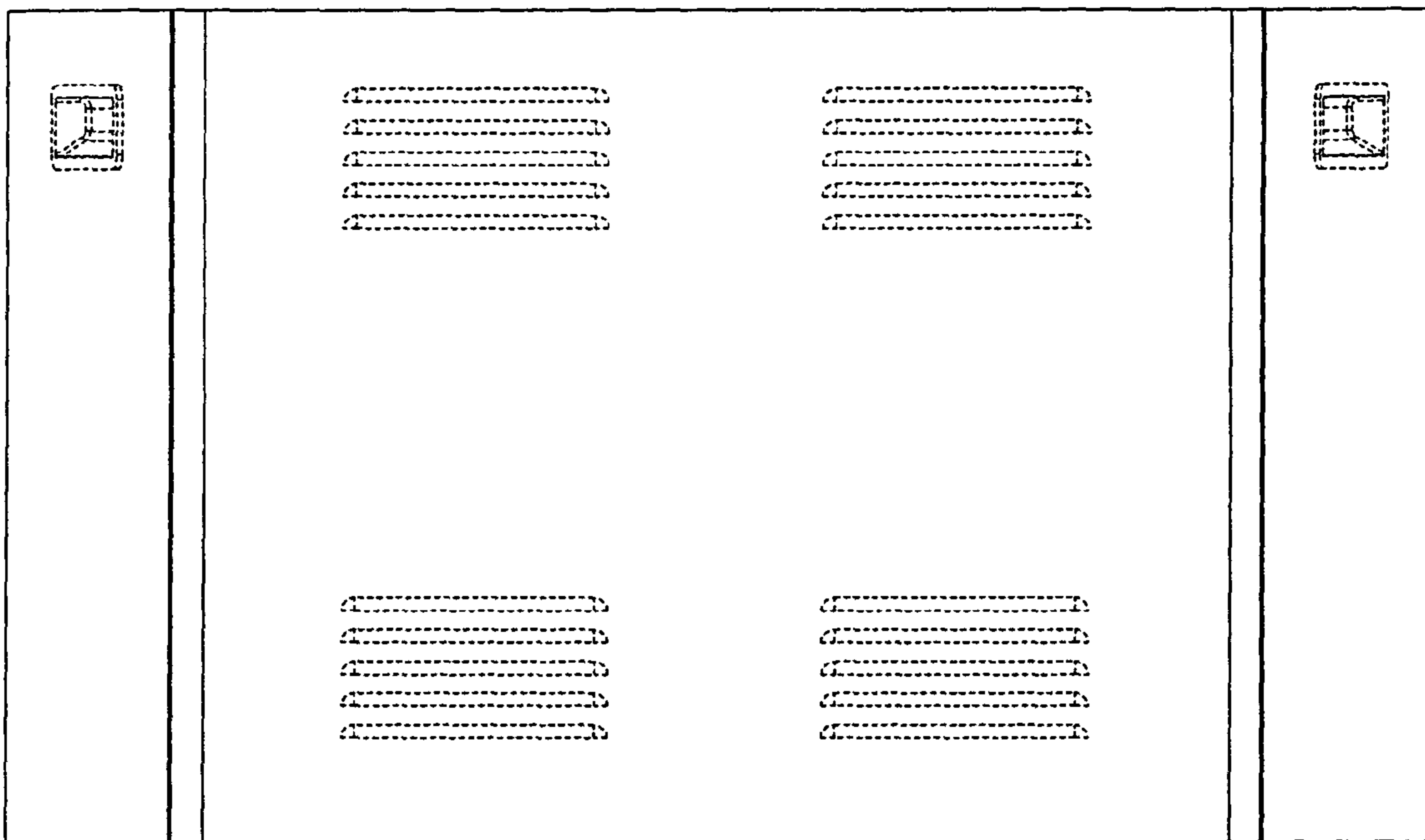


FIG. 4

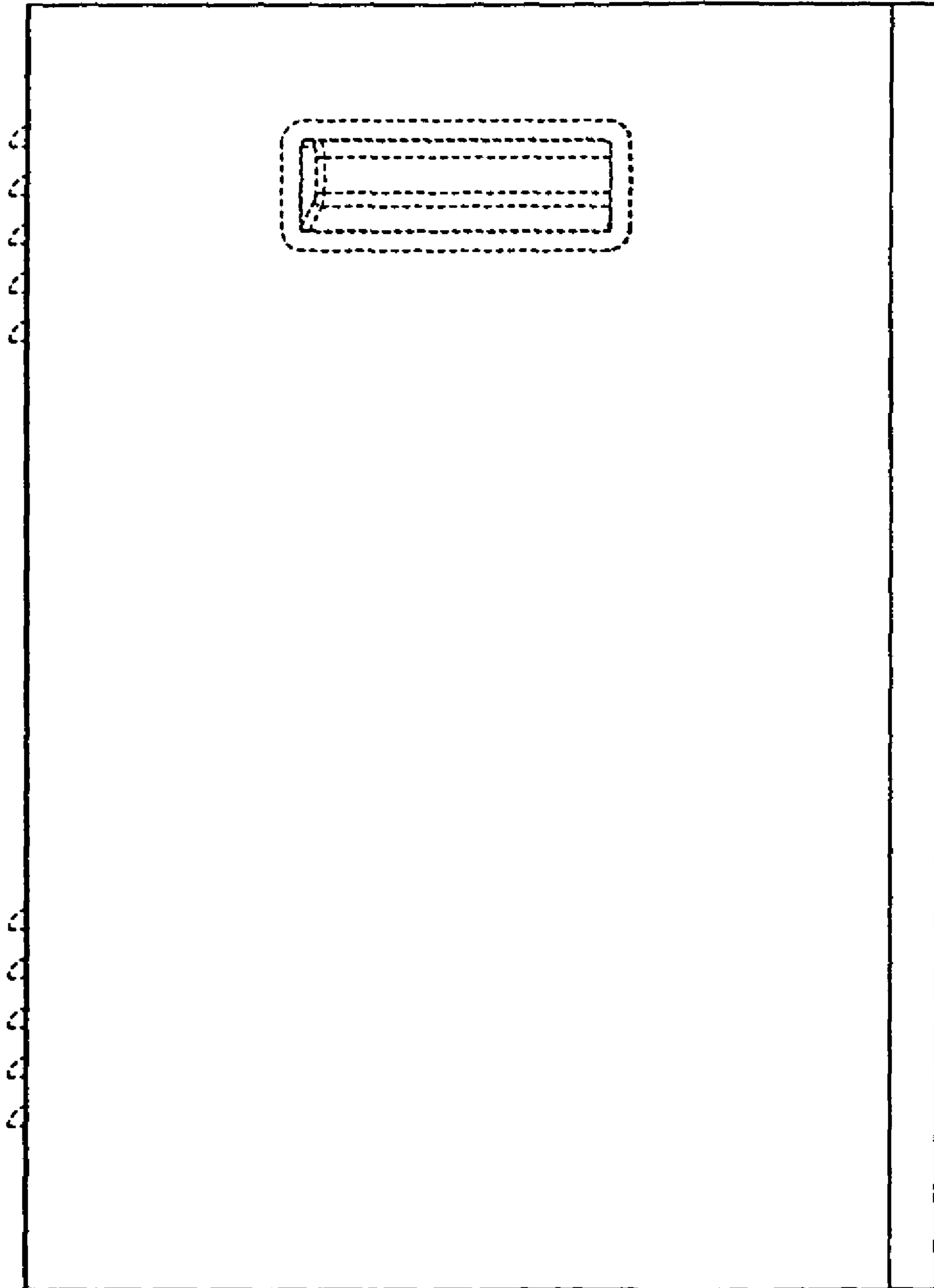


FIG. 5

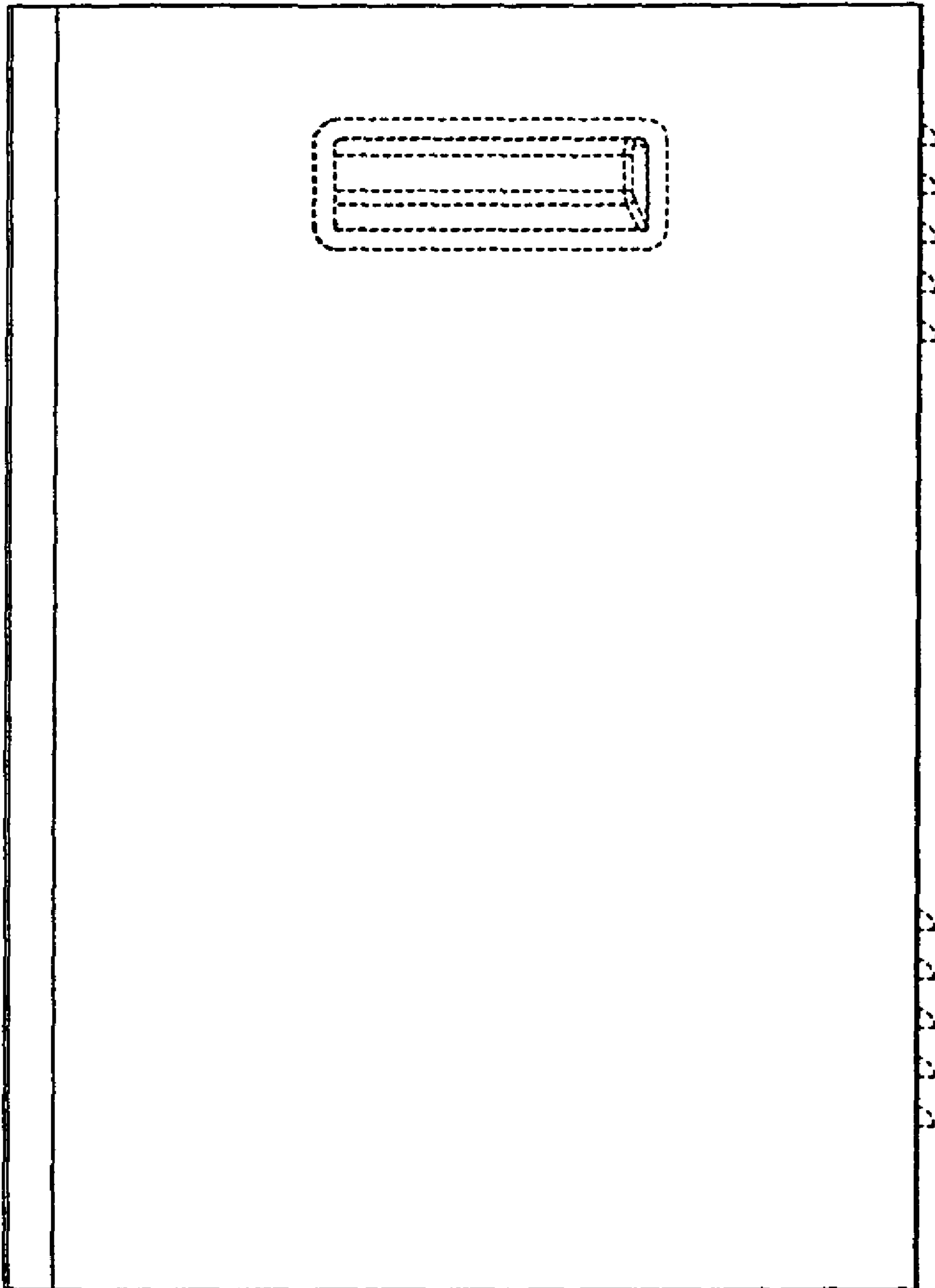


FIG. 6

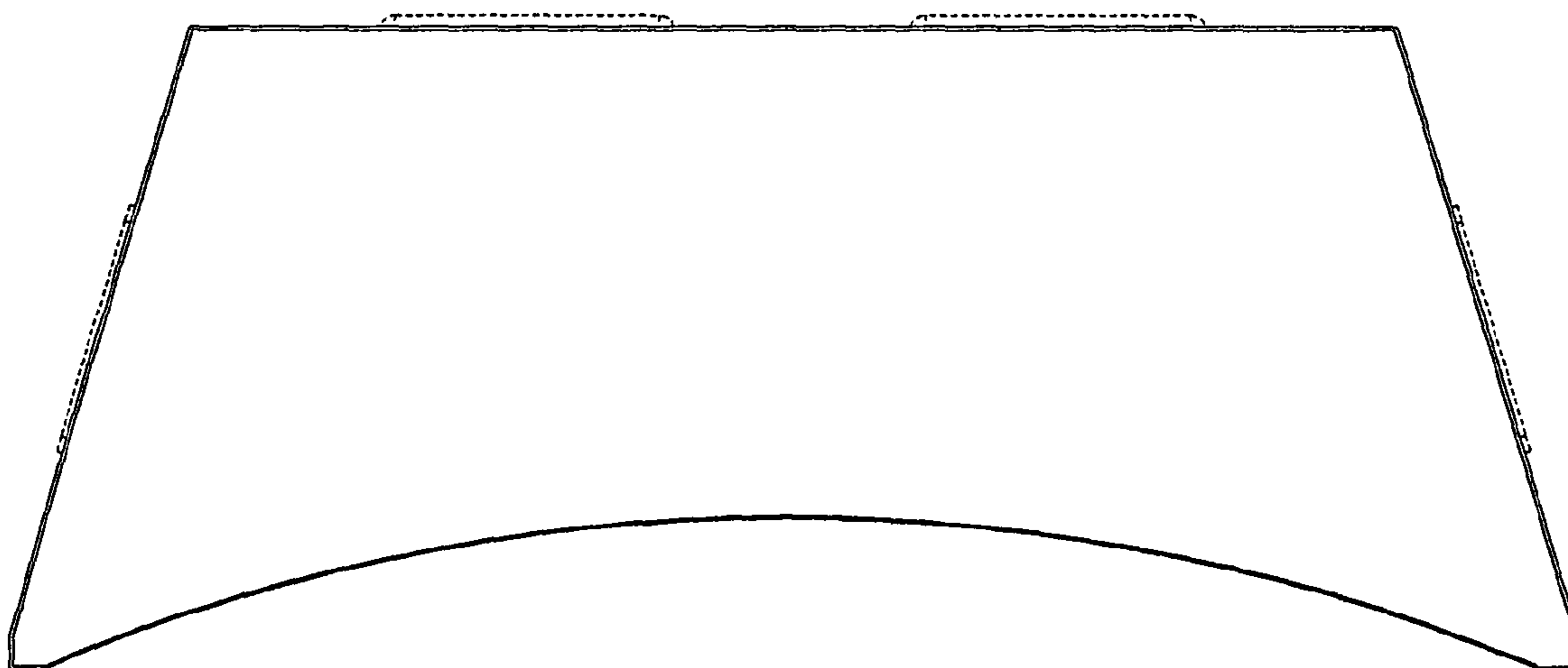


FIG.7

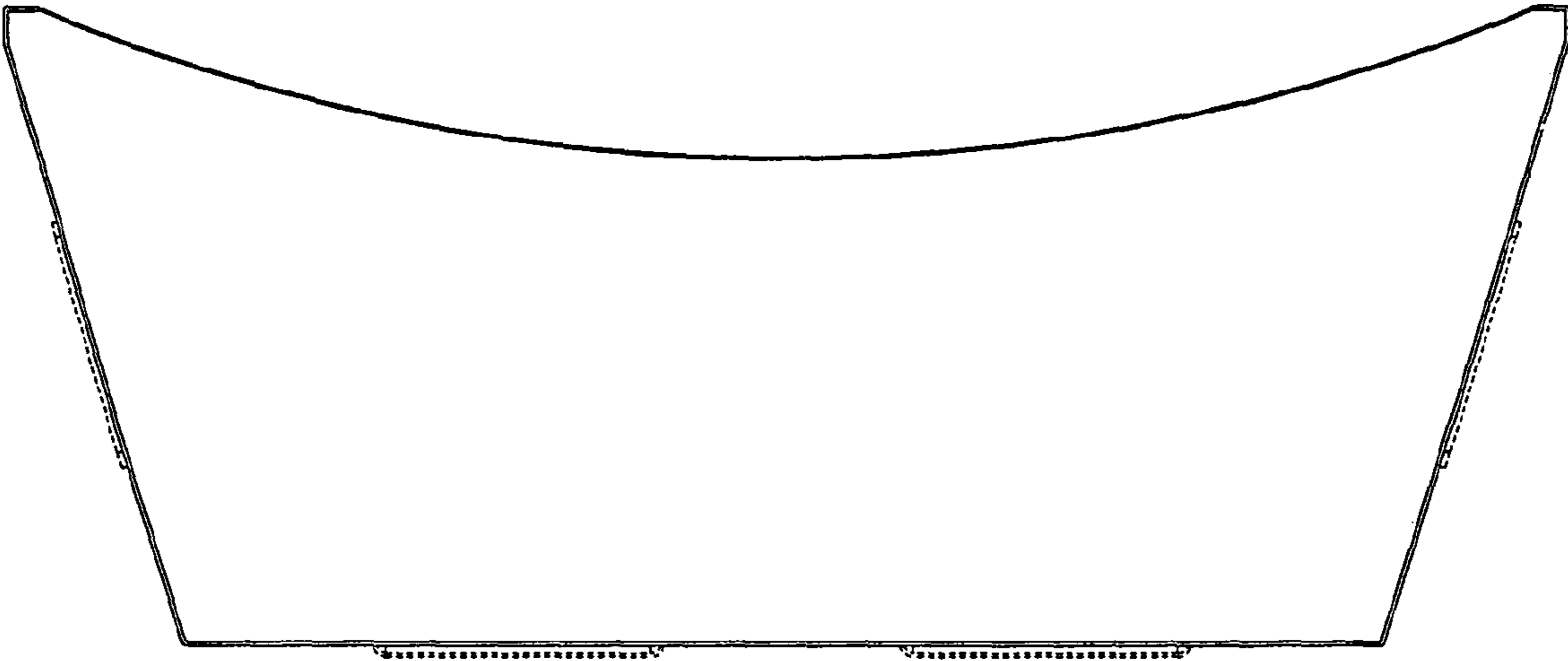


FIG.8

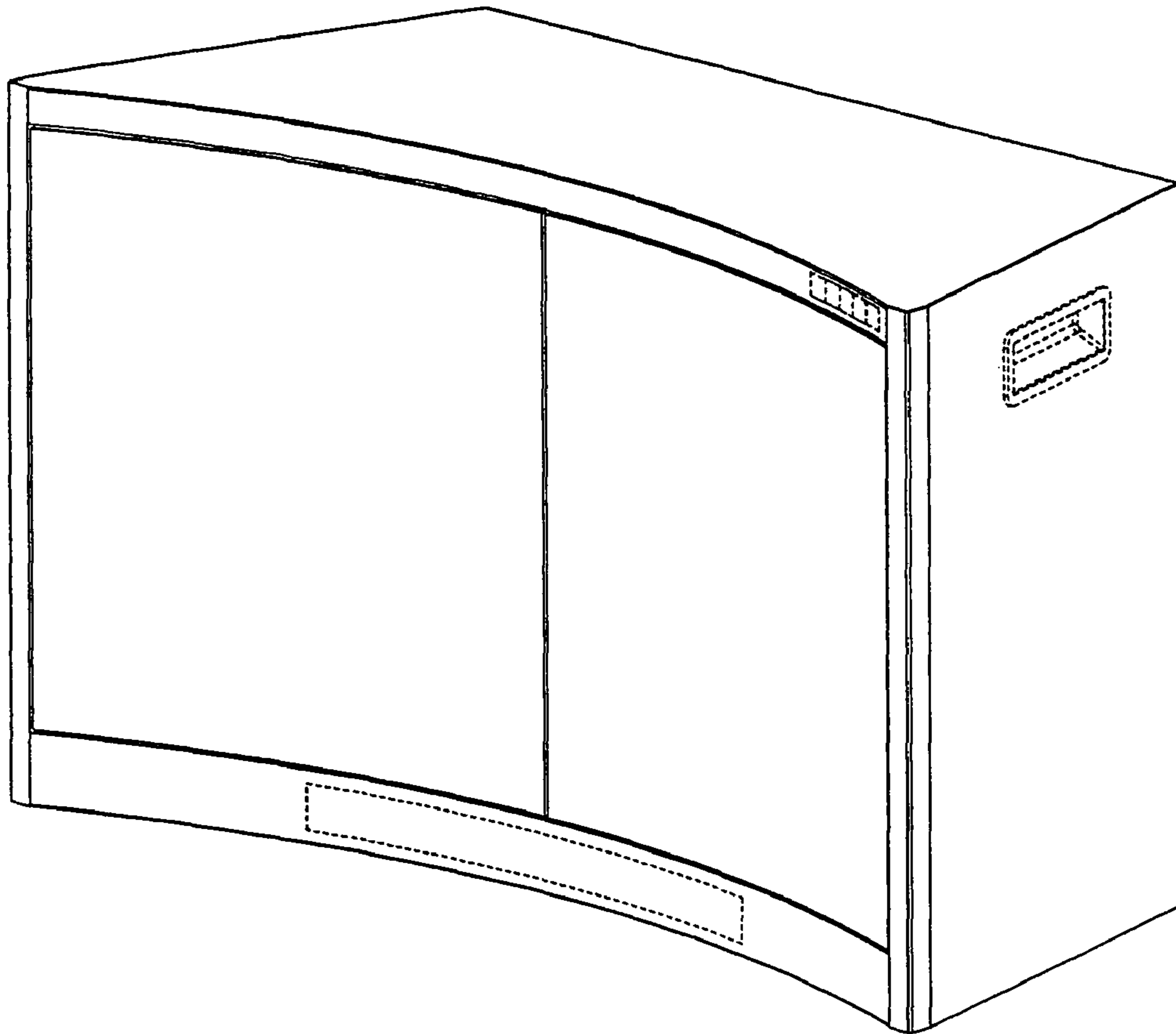


FIG.9

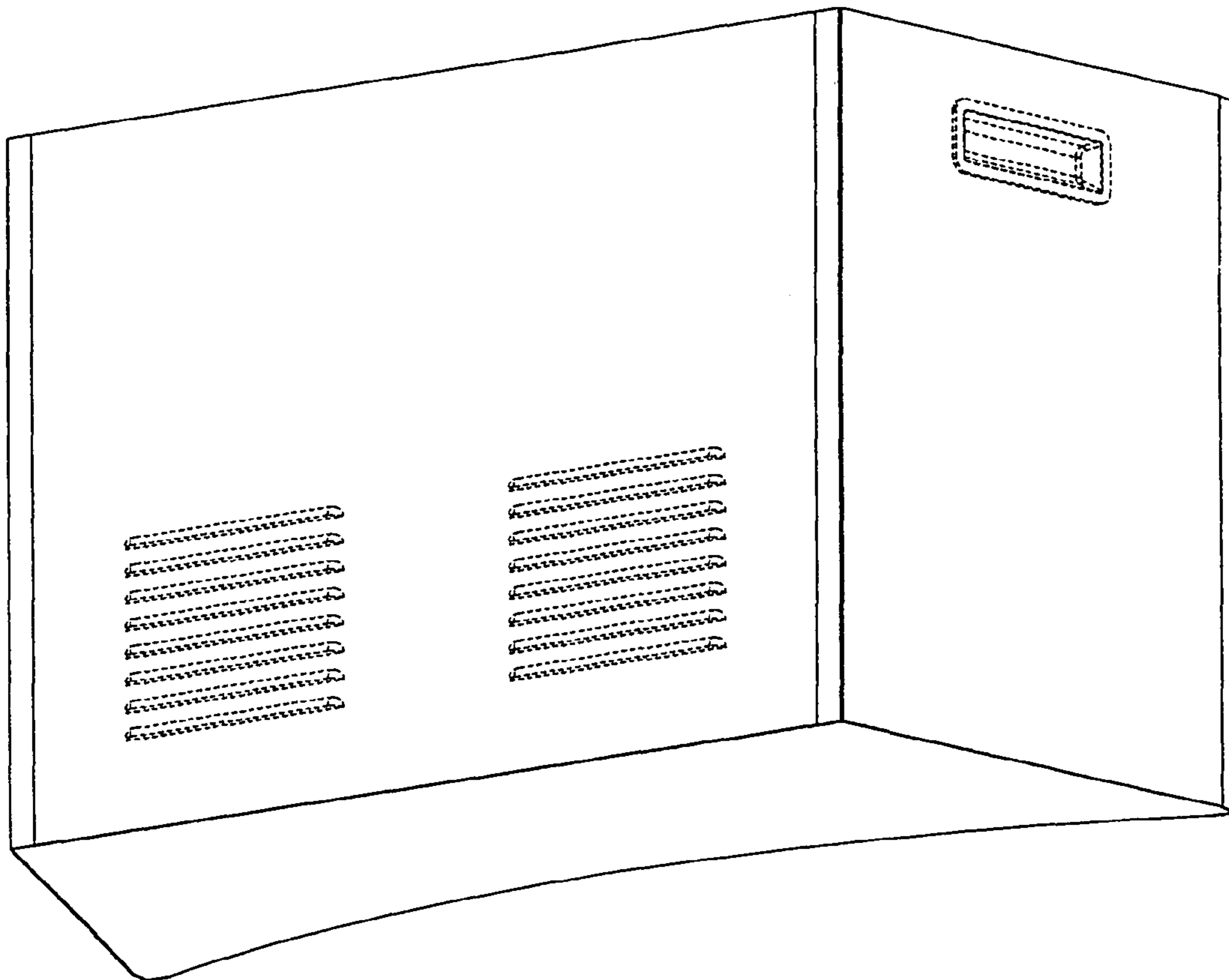


FIG.10

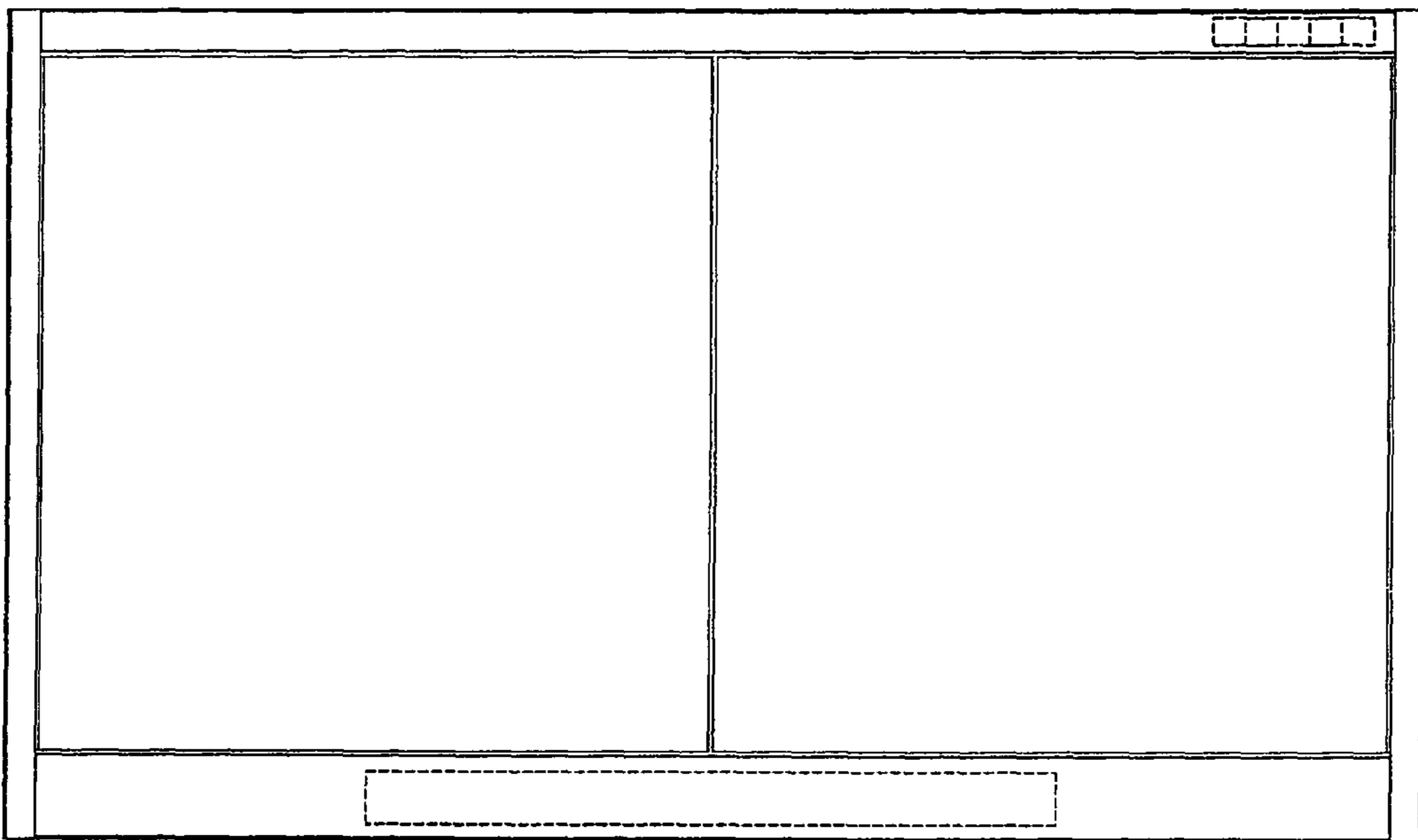


FIG.11

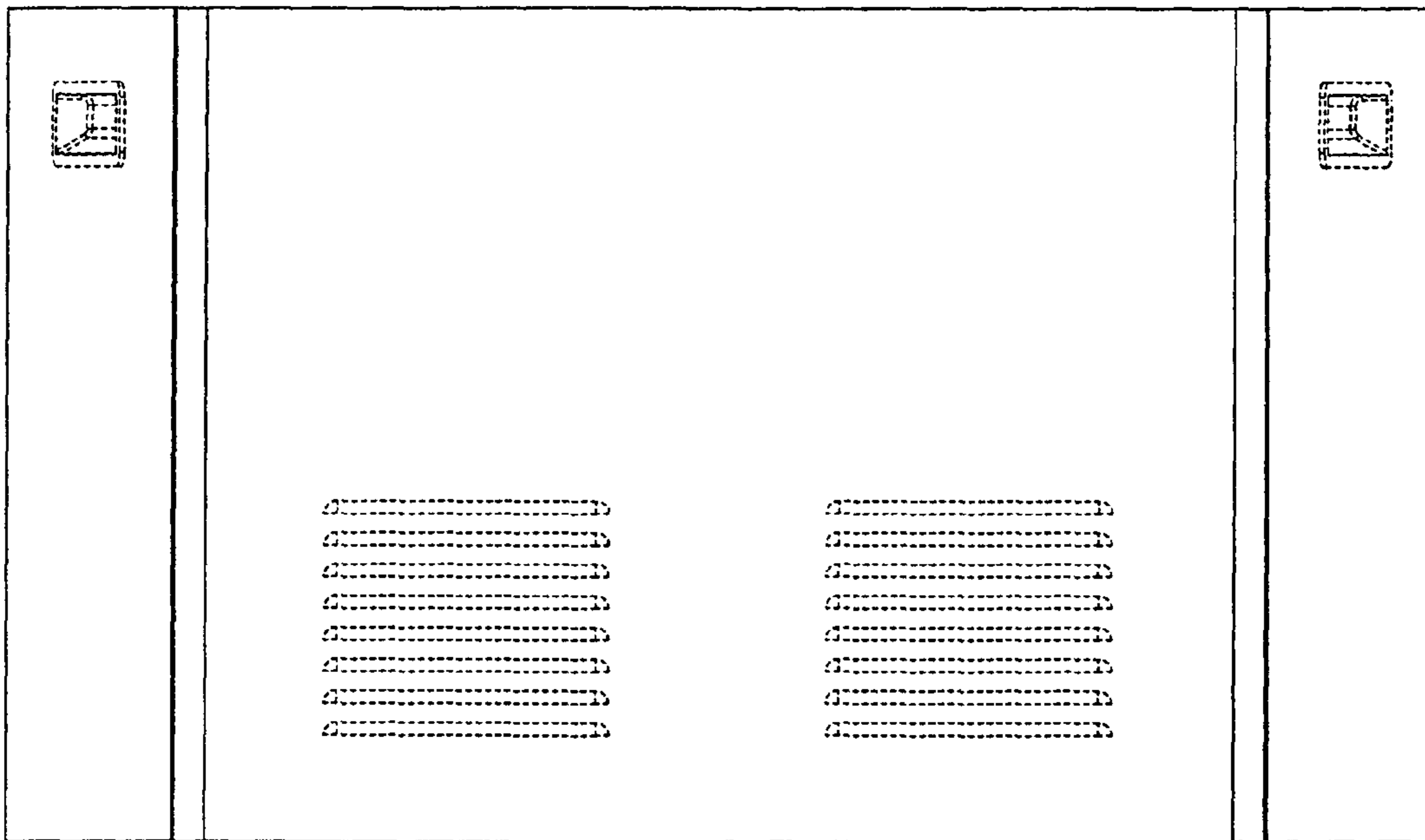


FIG.12

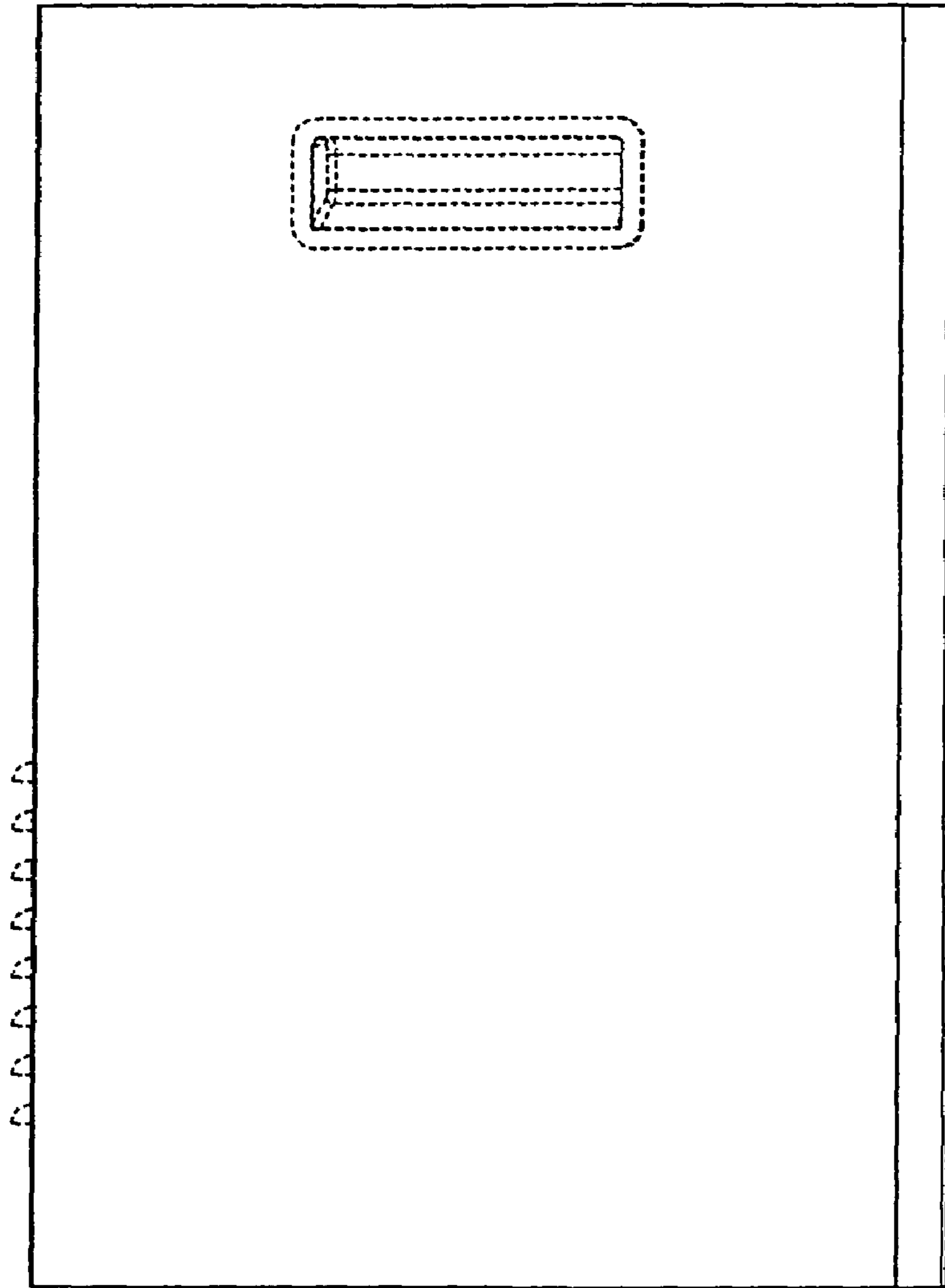


FIG.13

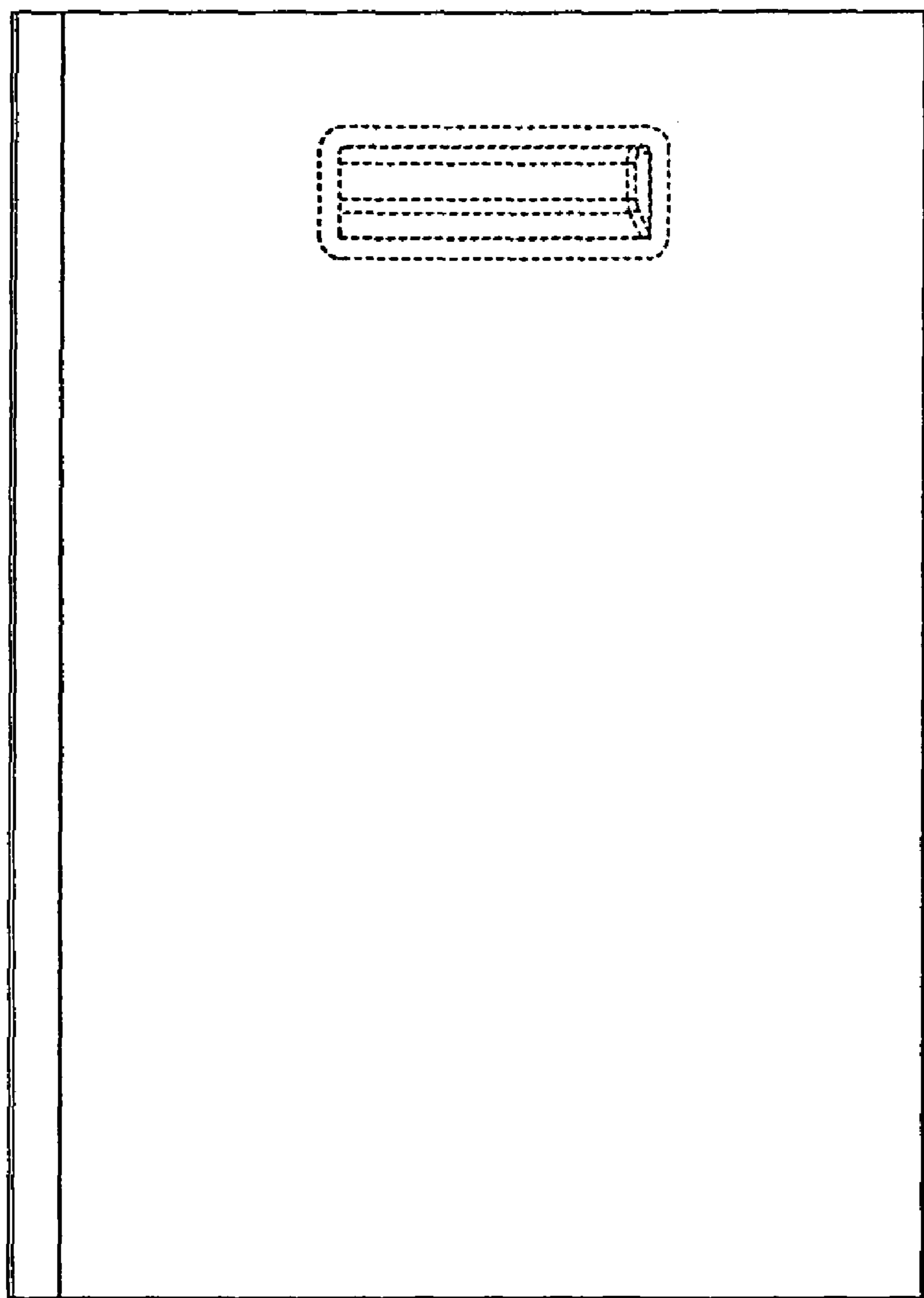


FIG.14

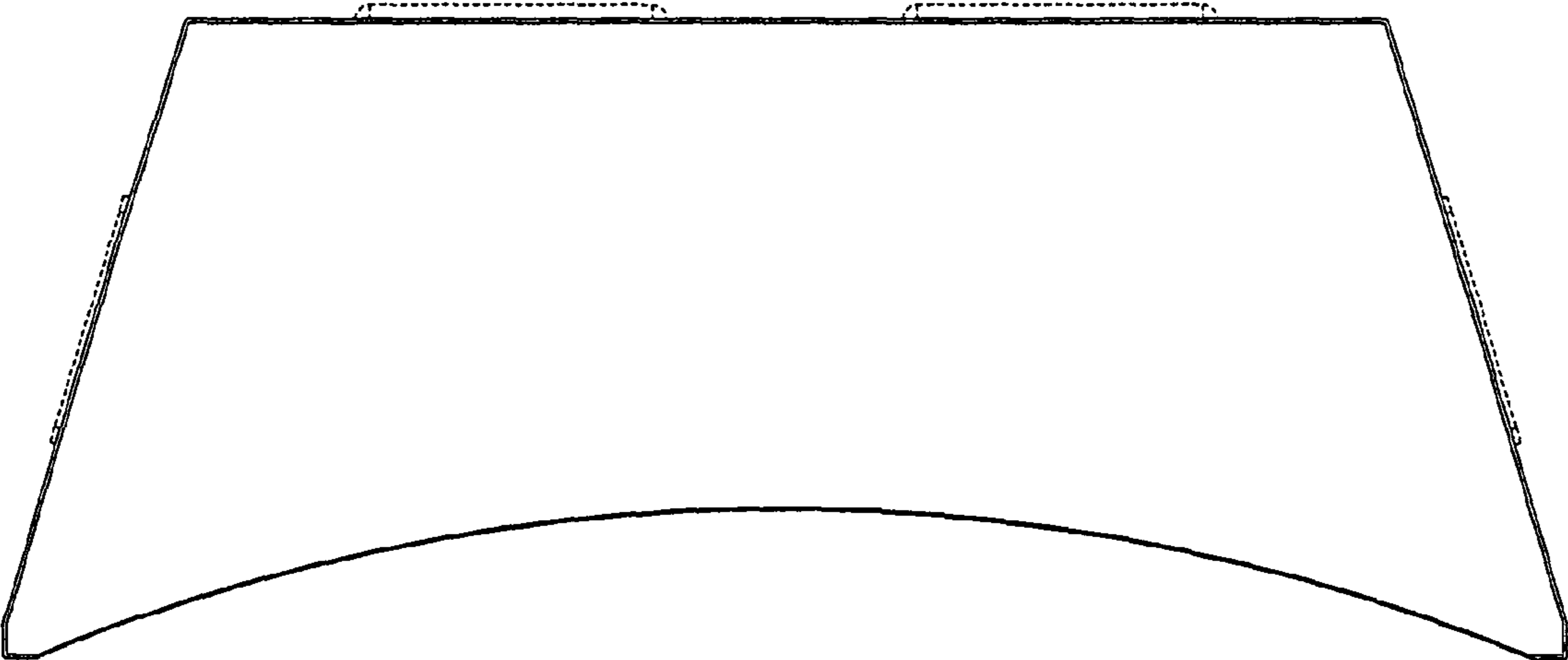


FIG.15

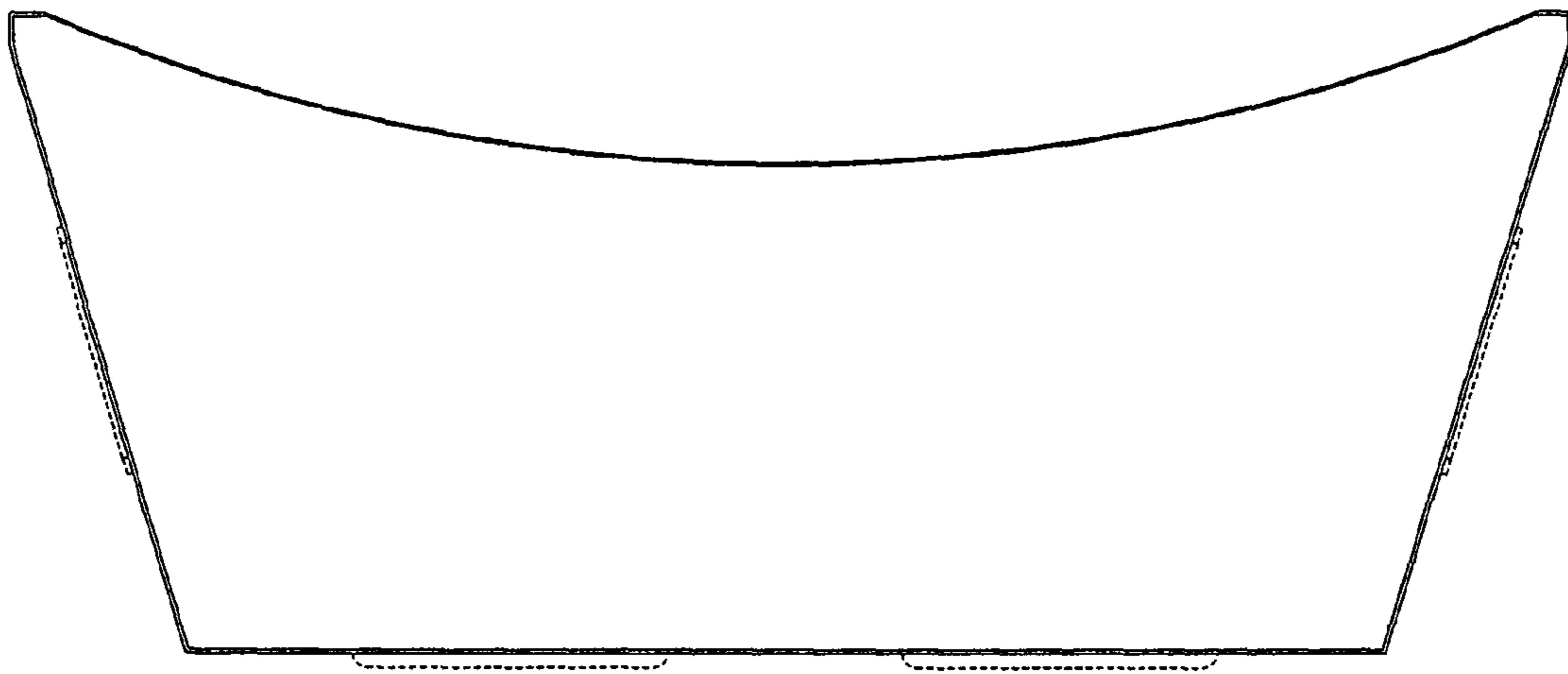


FIG.16

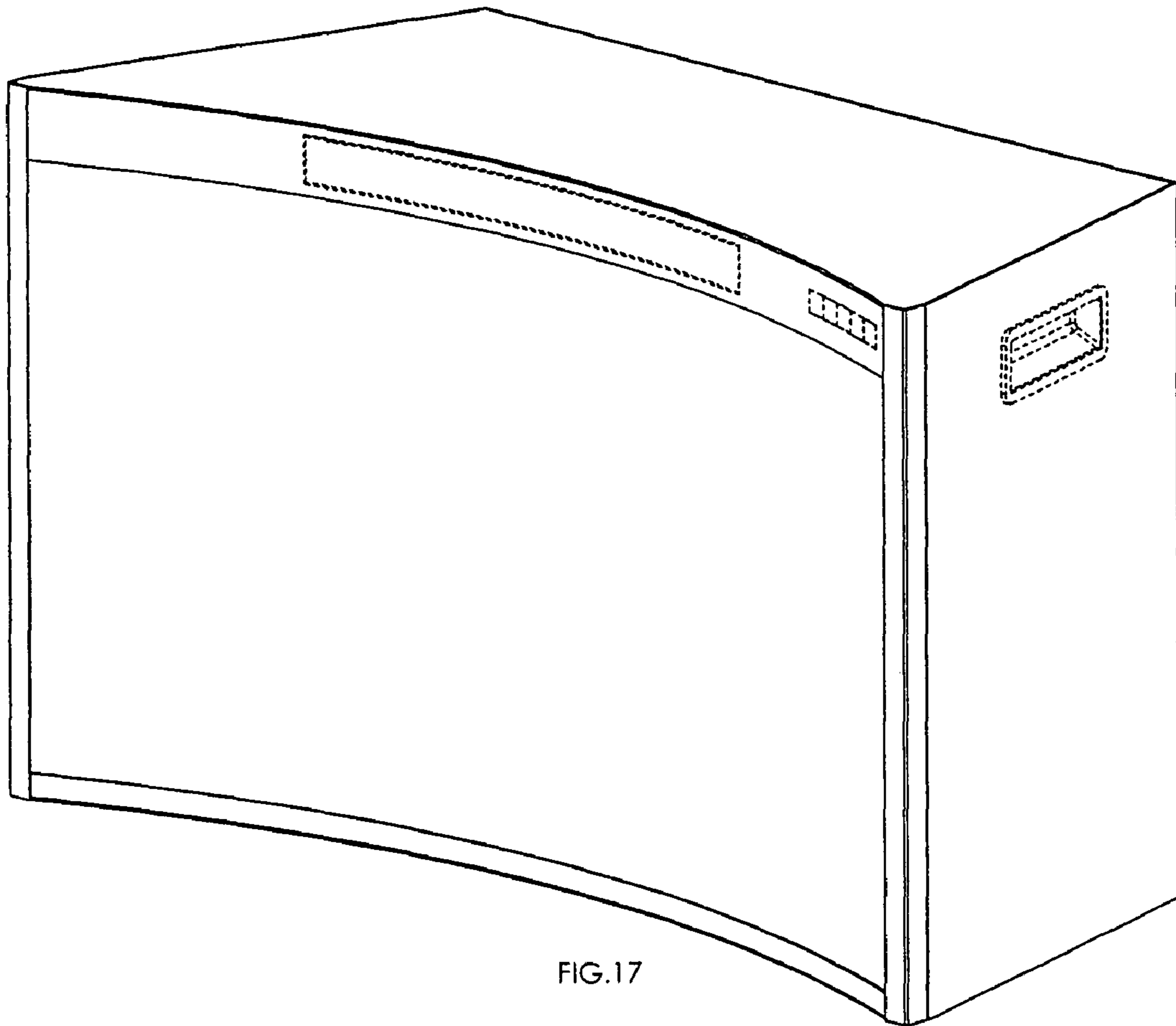


FIG.17

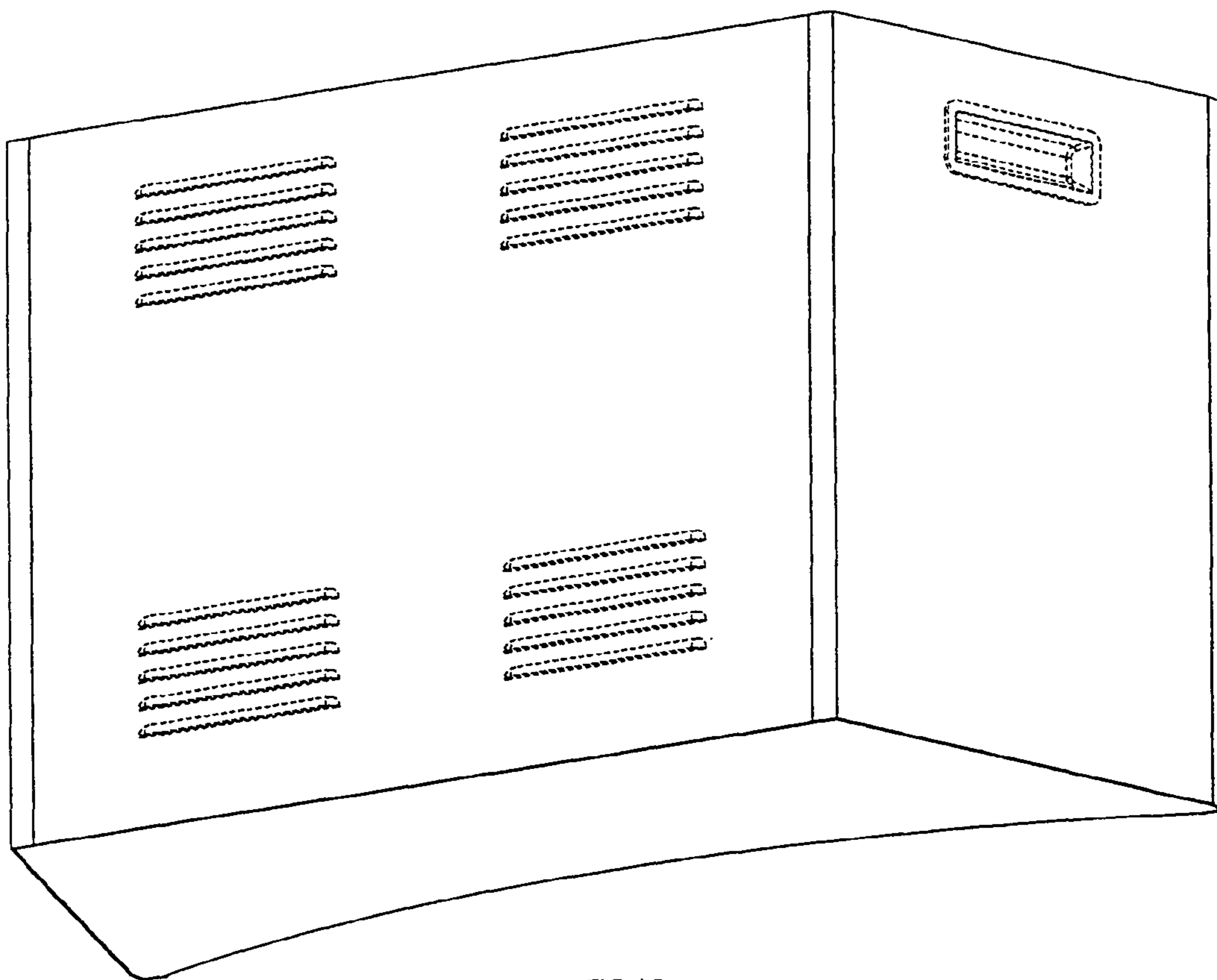


FIG.18

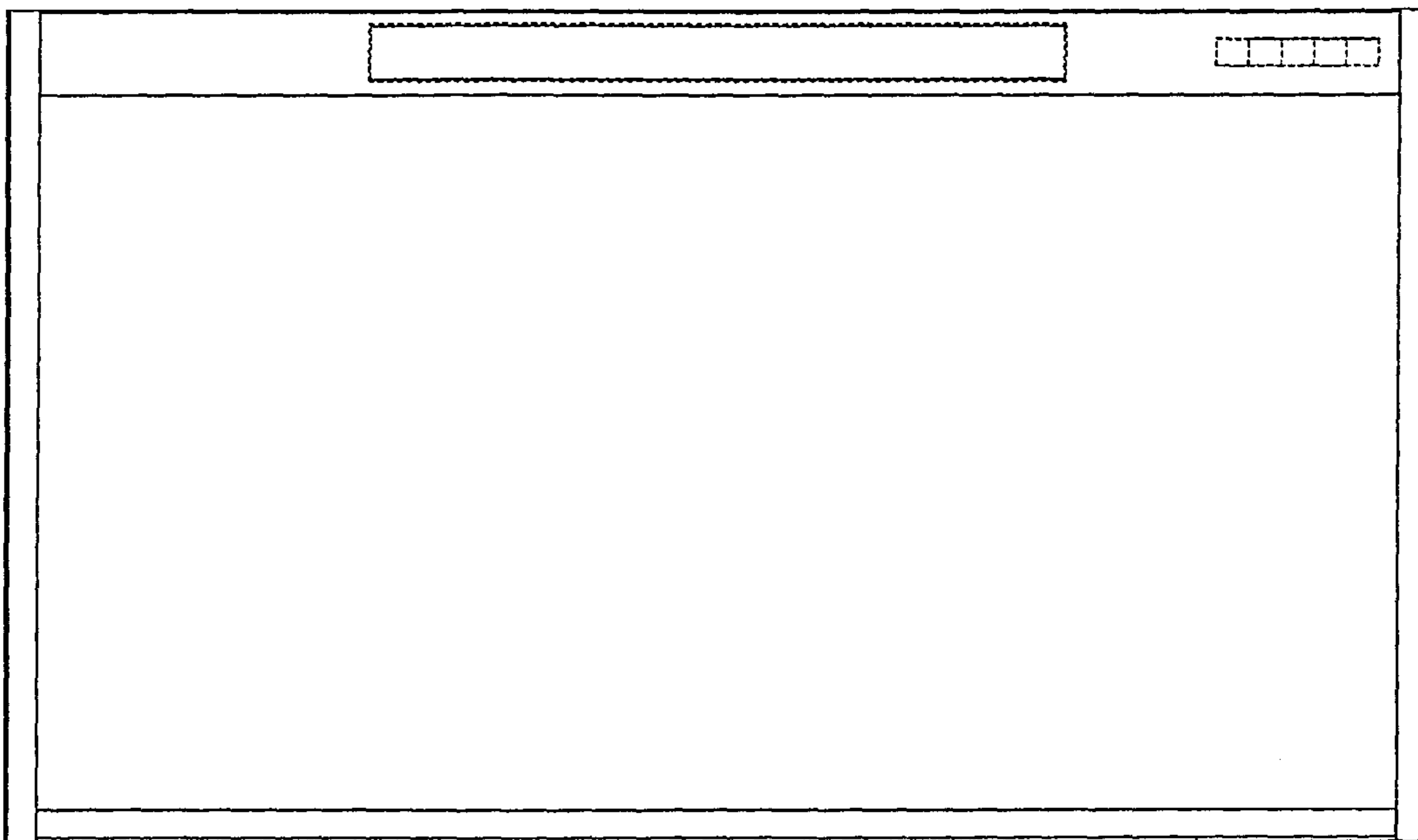


FIG.19

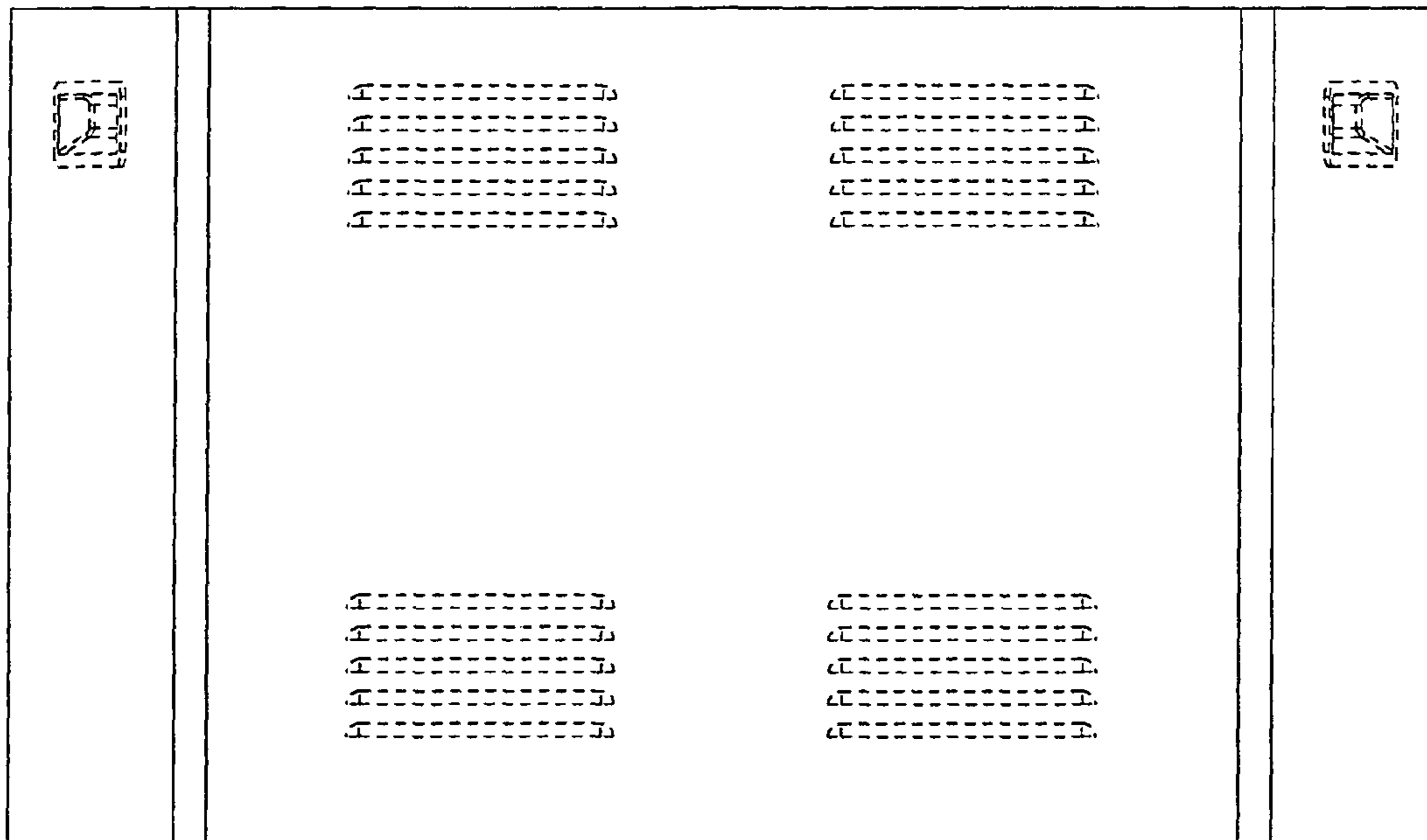


FIG.20

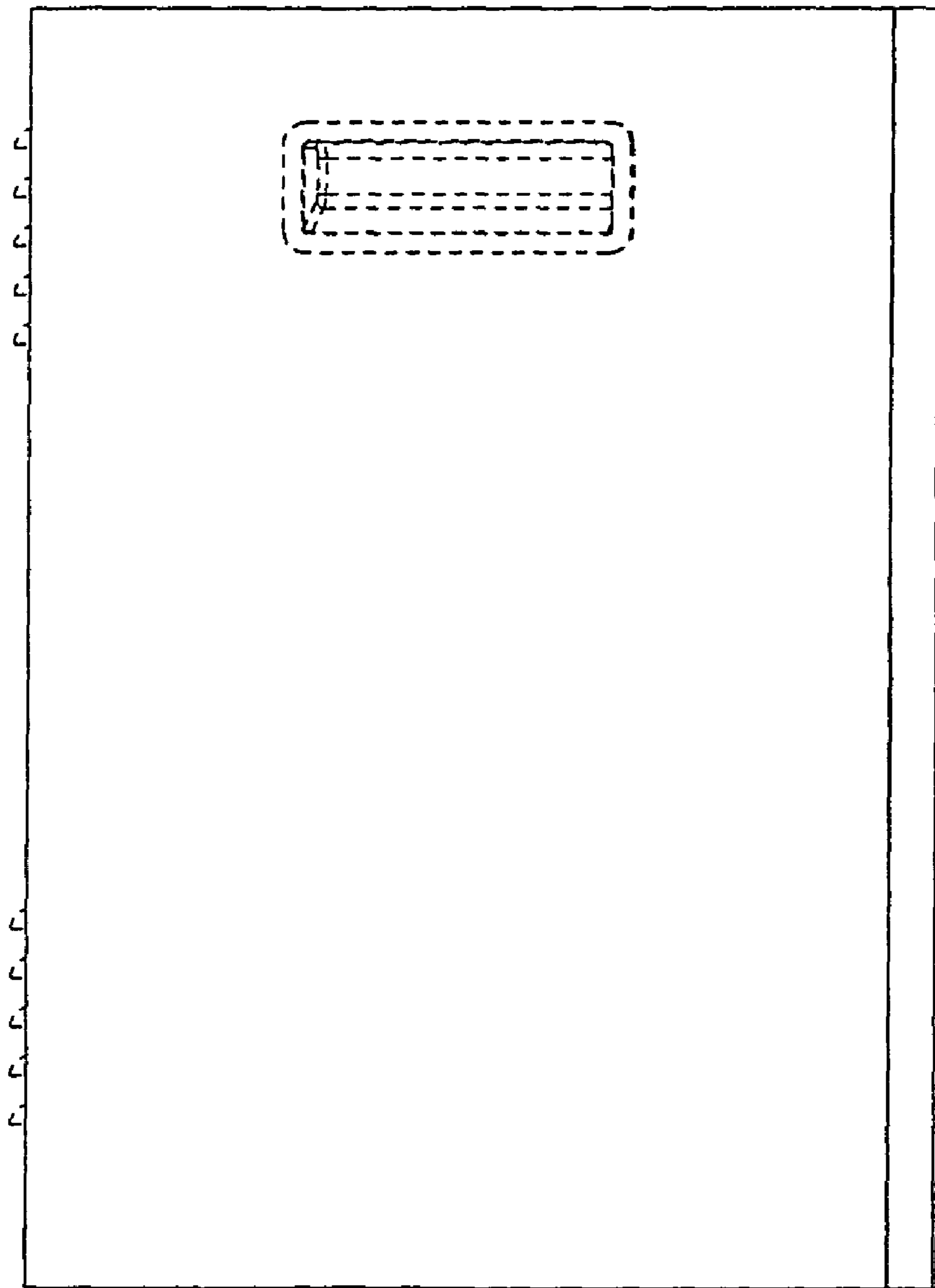


FIG. 21

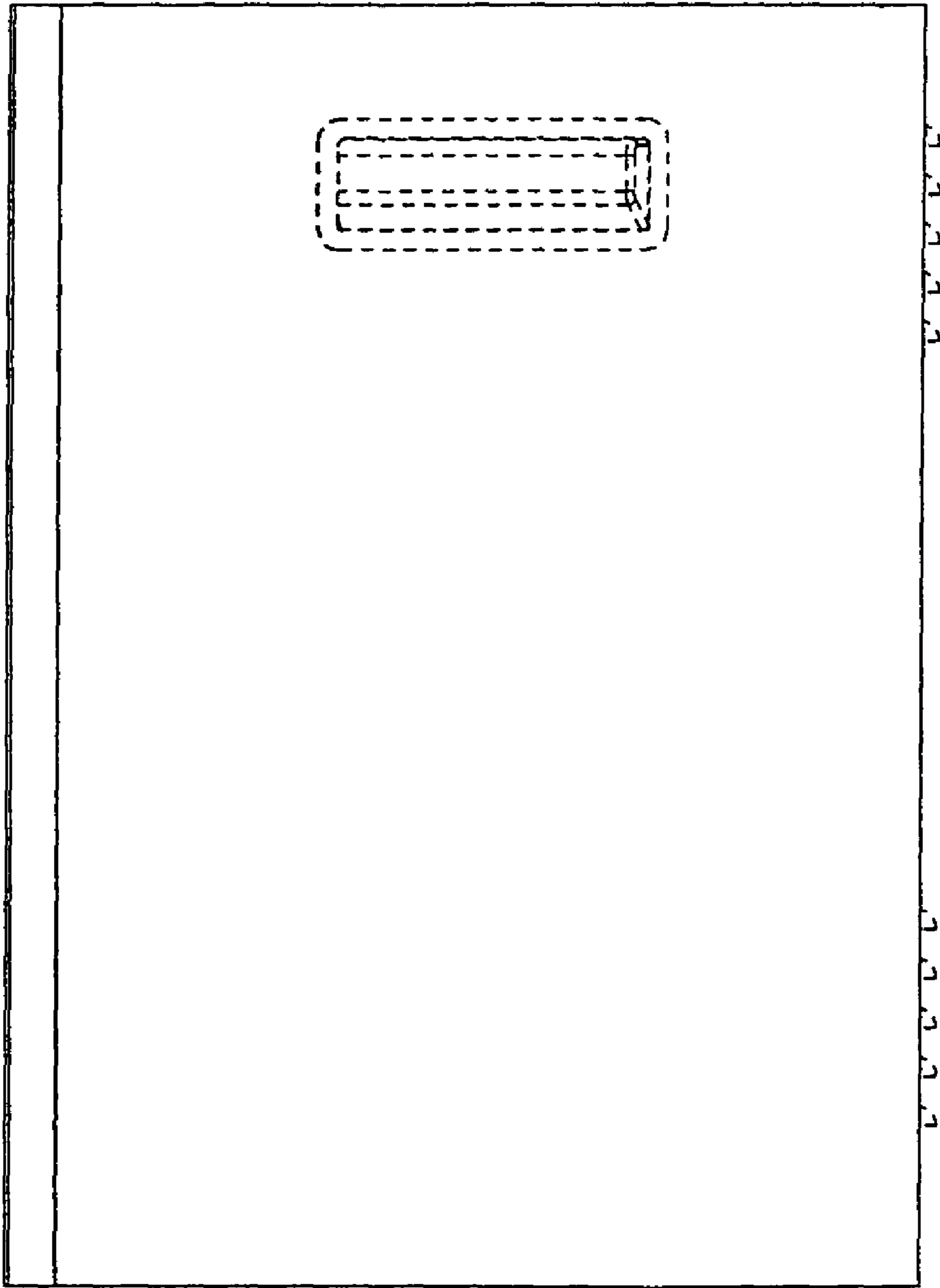


FIG.22

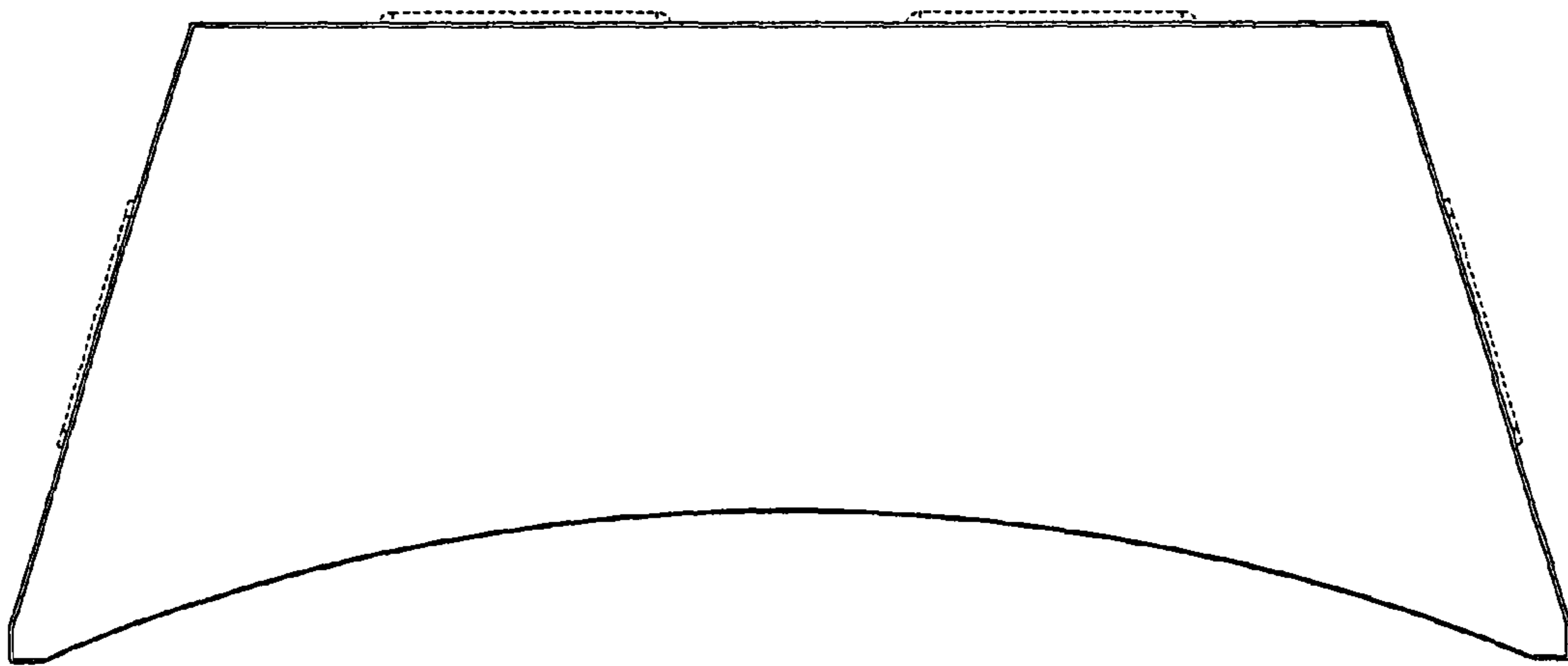


FIG.23

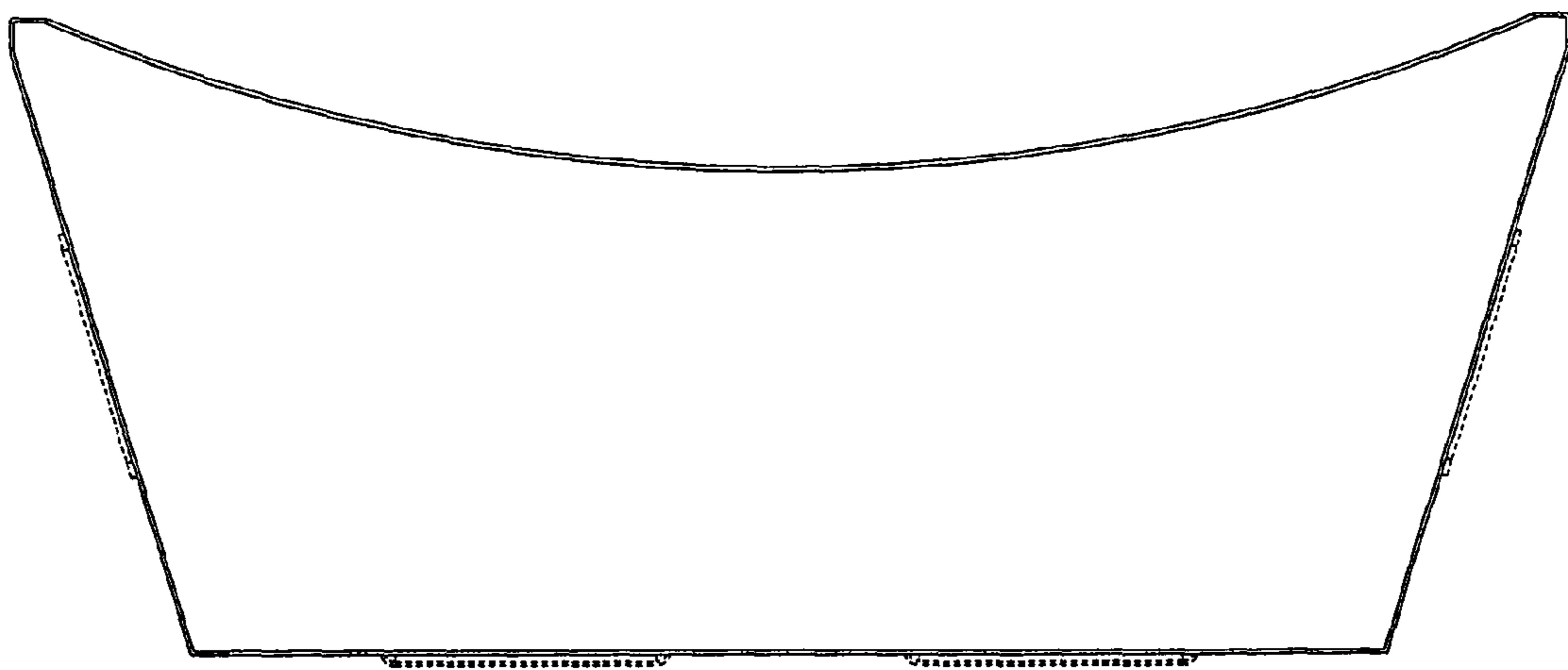


FIG.24

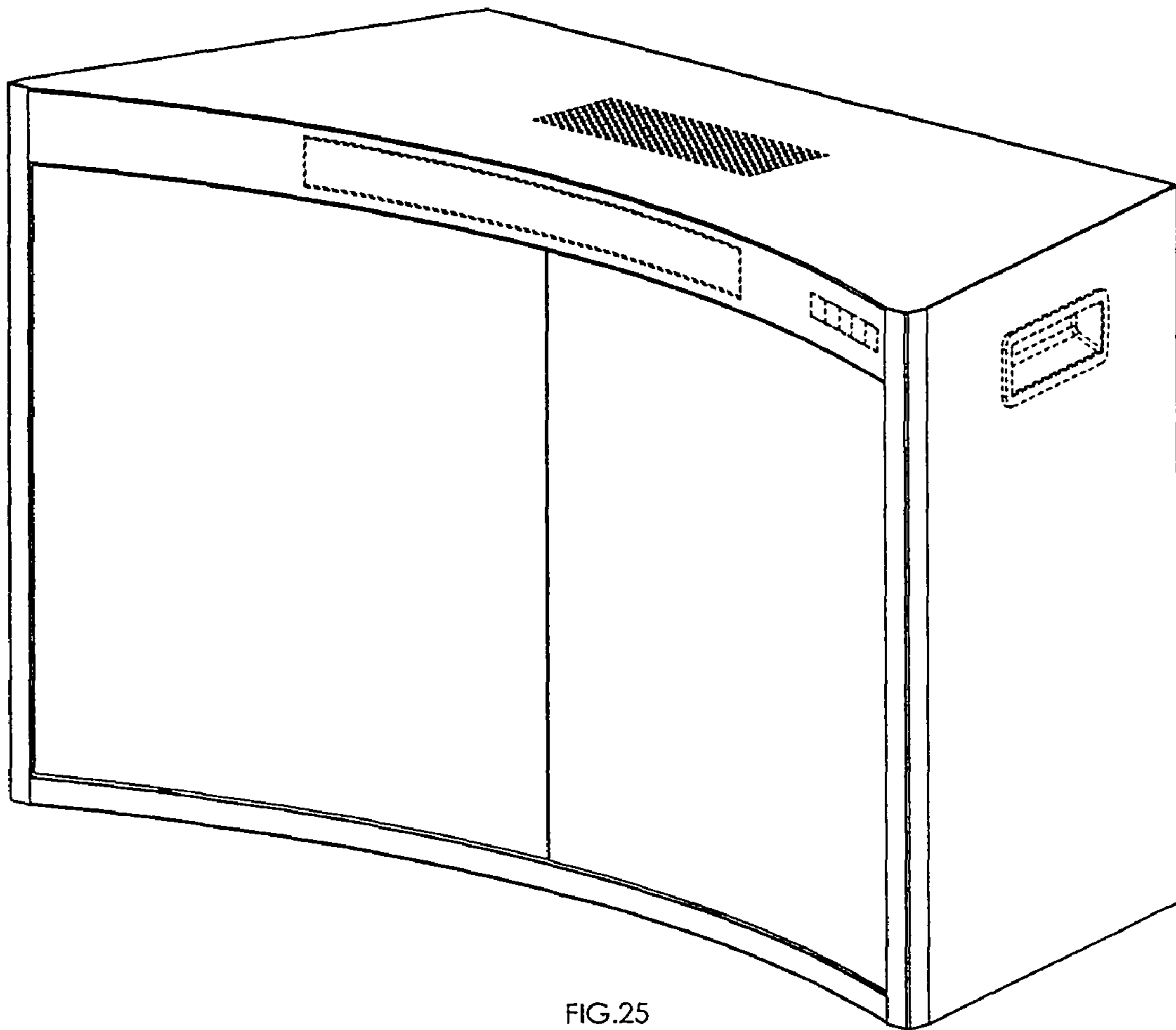


FIG.25

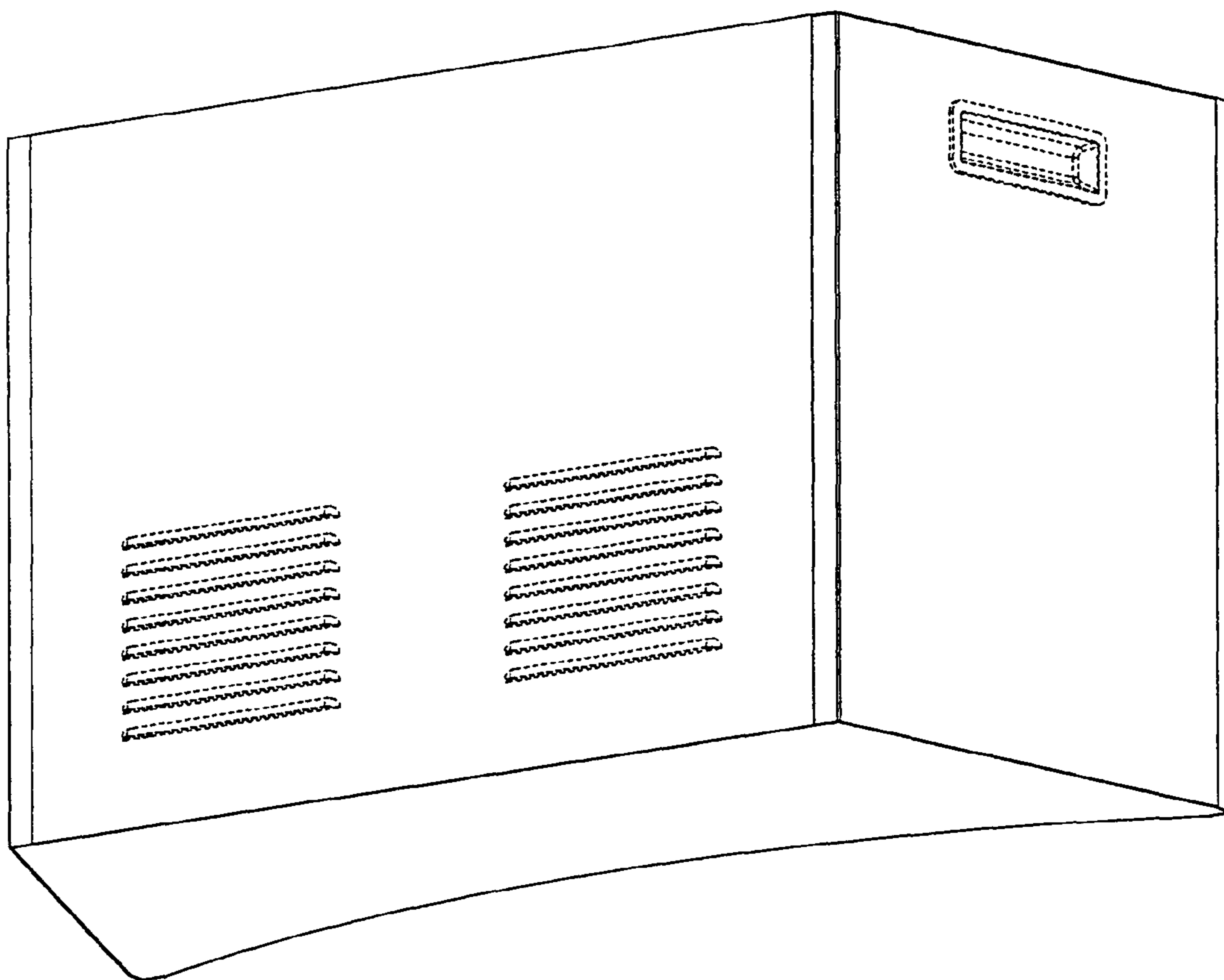


FIG.26

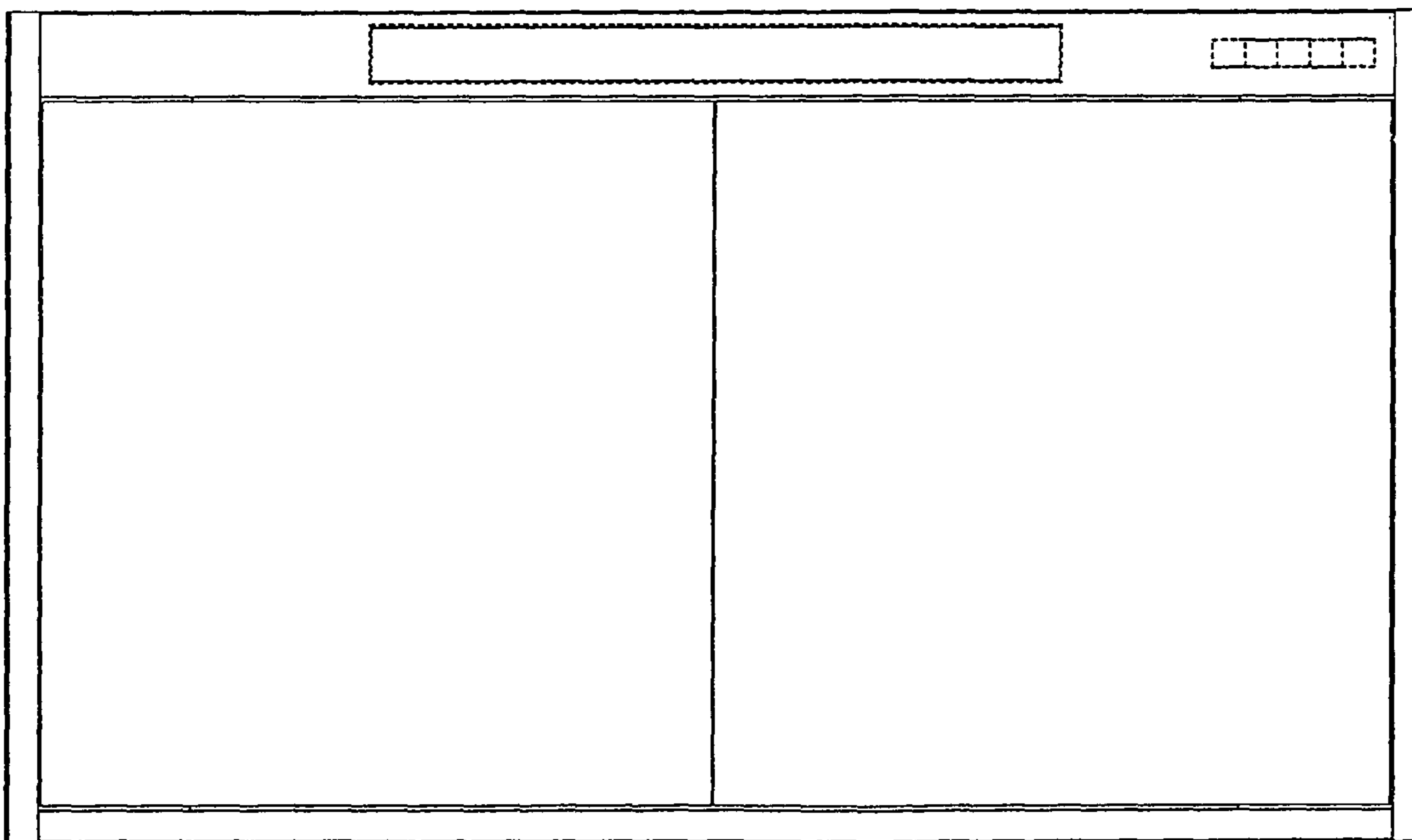


FIG.27

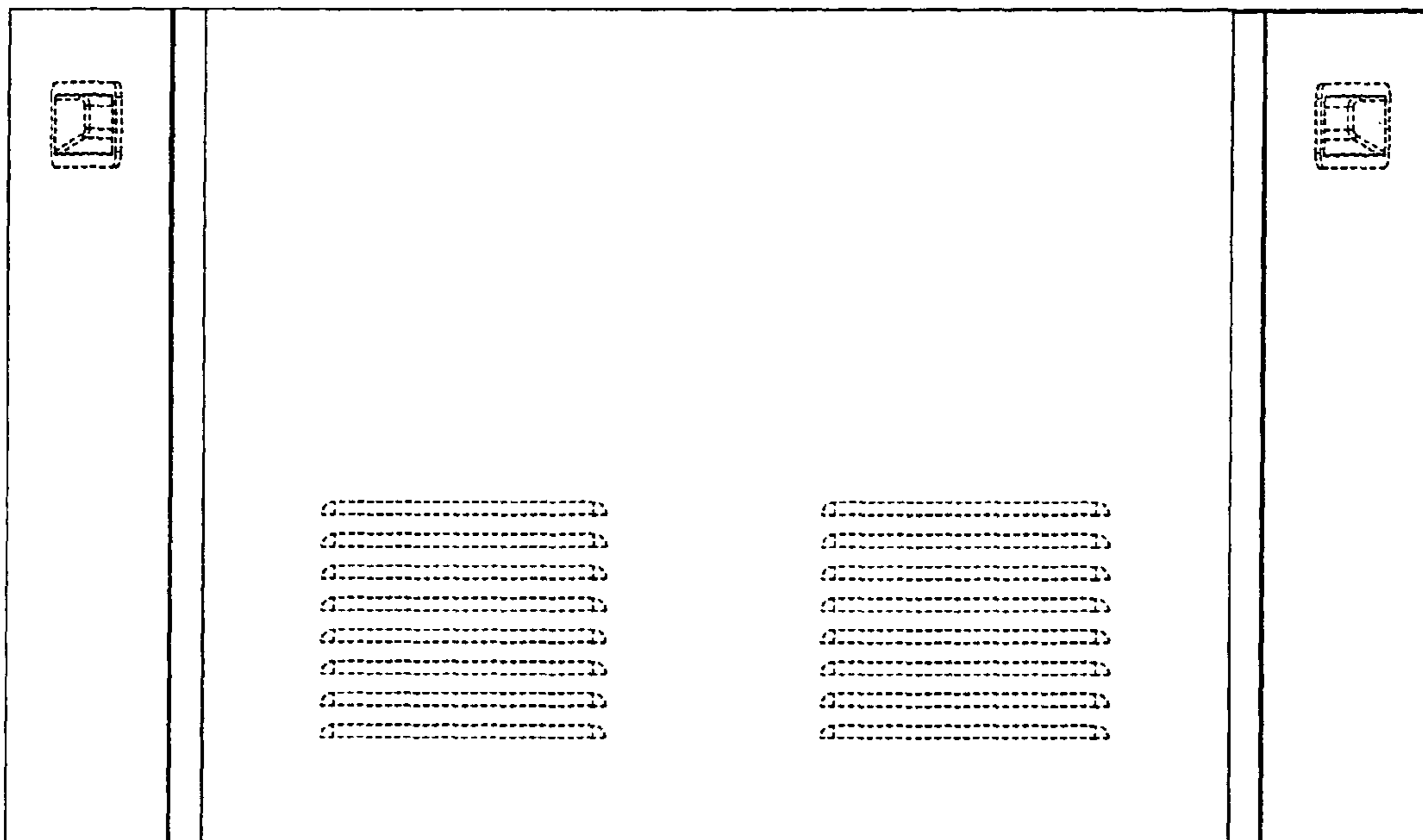


FIG. 28

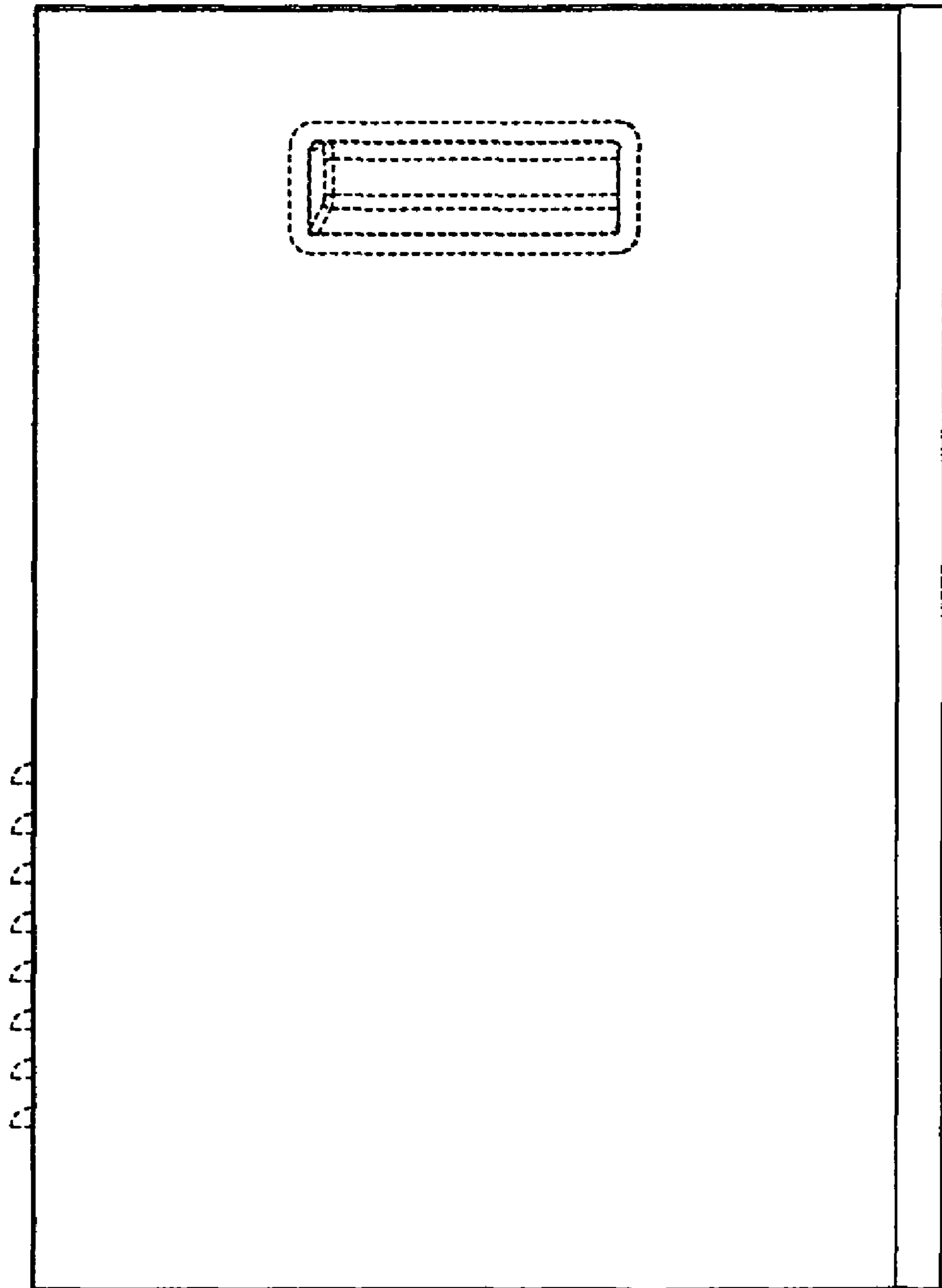


FIG.29

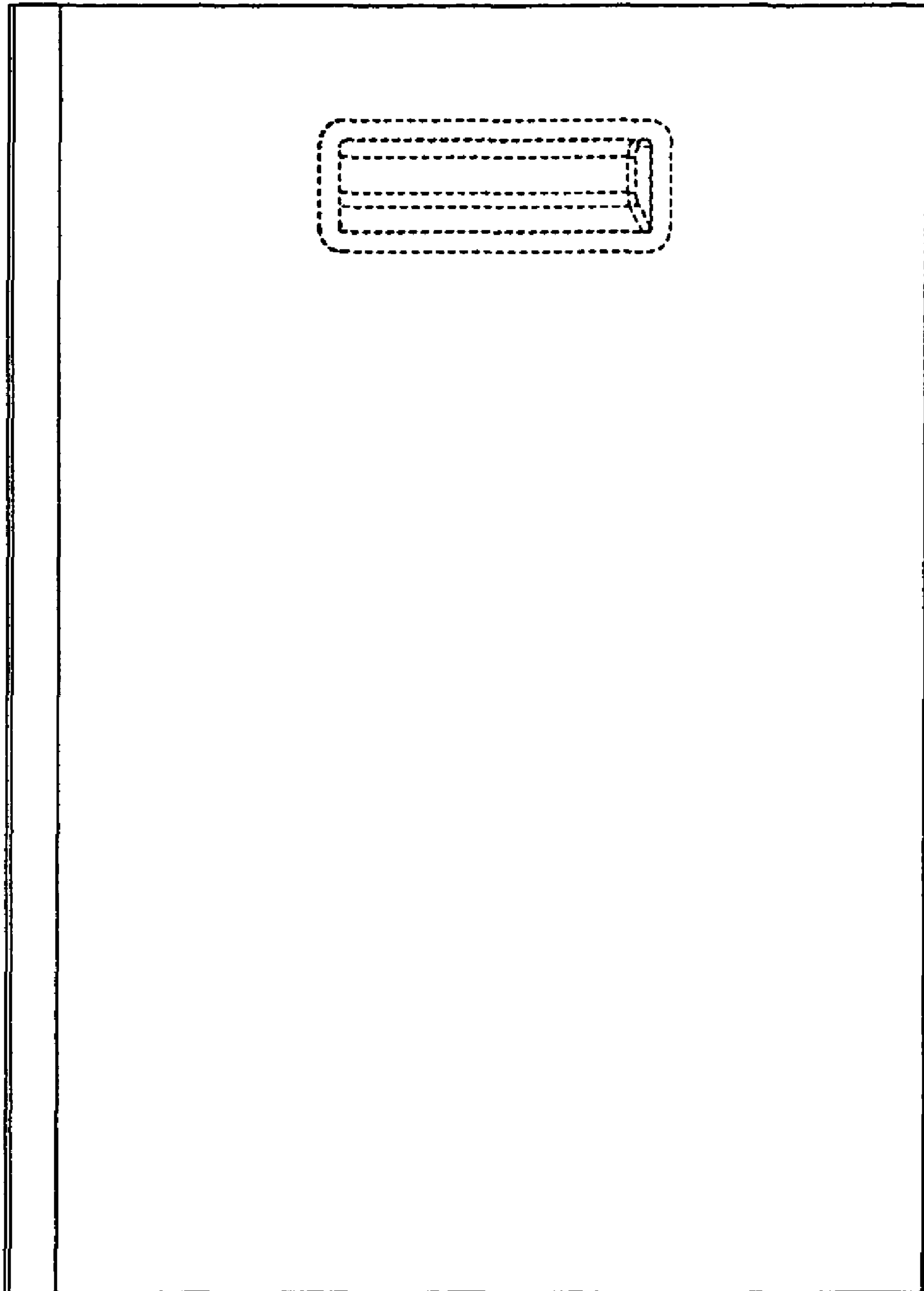


FIG.30

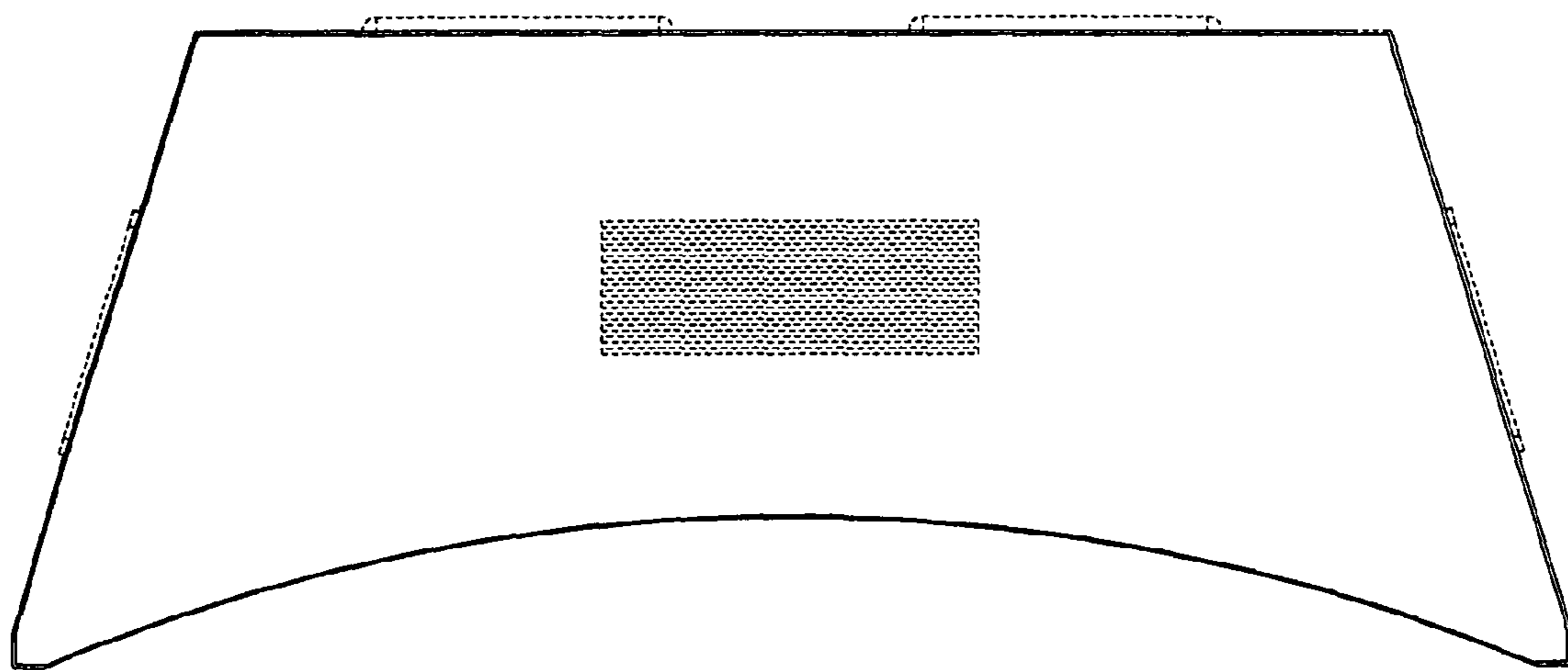


FIG.31

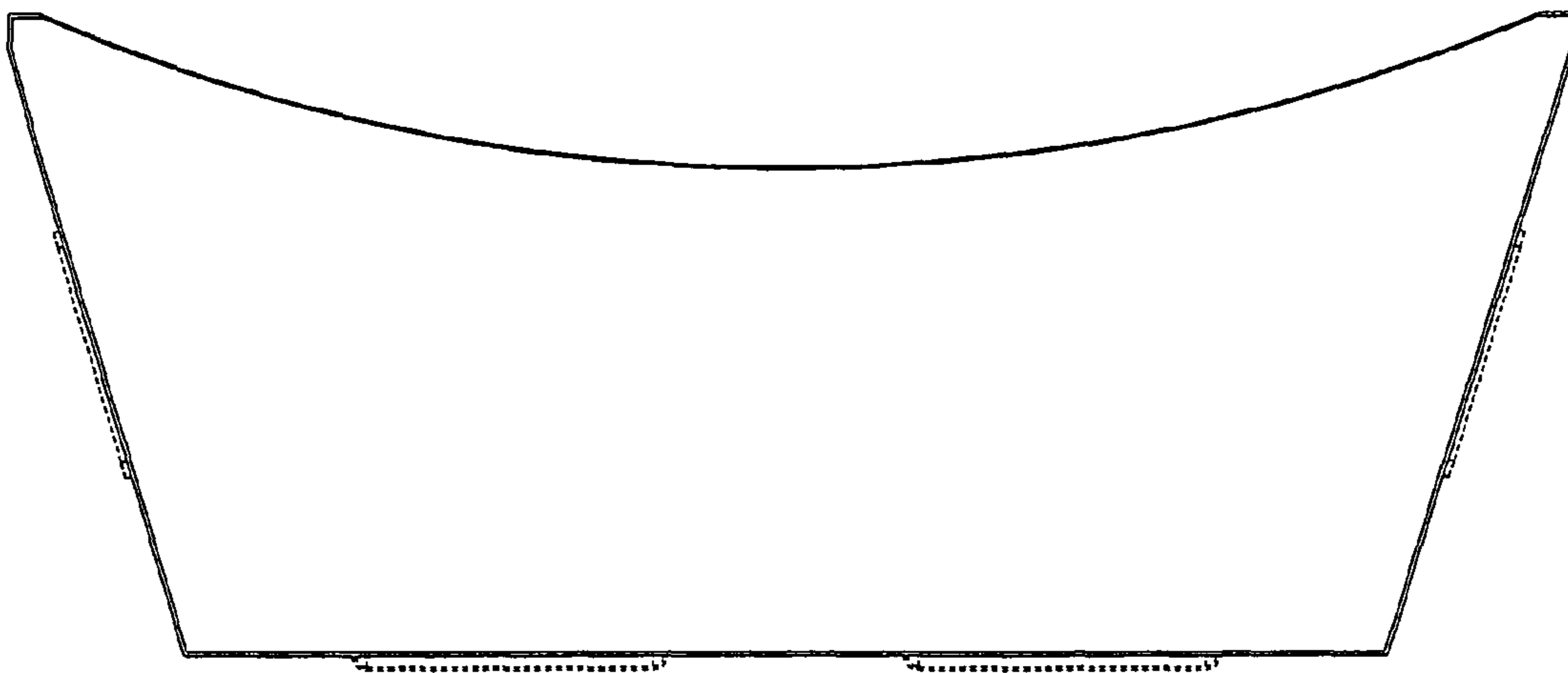


FIG.32