

US00D667533S

(12) **United States Design Patent**  
**Lammel et al.**

(10) **Patent No.:** **US D667,533 S**  
(45) **Date of Patent:** **\*\* Sep. 18, 2012**

(54) **FAUCET**

(75) Inventors: **Michael Lammel**, Aachen (DE);  
**Michael Zeisel**, Aachen (DE)

(73) Assignee: **KWC AG**, Unterkulm (CH)

(\*\*) Term: **14 Years**

(21) Appl. No.: **29/398,332**

(22) Filed: **Jul. 29, 2011**

(30) **Foreign Application Priority Data**

Jun. 9, 2011 (WO) ..... 608040301

(51) **LOC (9) Cl.** ..... **23-01**

(52) **U.S. Cl.** ..... **D23/238**

(58) **Field of Classification Search** ..... D23/238,  
D23/241-243, 250, 252, 255, 257; 4/675-678;  
137/801

See application file for complete search history.

(56) **References Cited**

**U.S. PATENT DOCUMENTS**

D603,481 S \* 11/2009 Zetsche et al. .... D23/242  
D638,102 S \* 5/2011 Obara et al. .... D23/238  
D639,910 S \* 6/2011 Schoenherr et al. .... D23/238

**FOREIGN PATENT DOCUMENTS**

EM 000752746-0001 7/2007  
EM 000903703-0001 2/2008  
EM 001194740-0001 2/2010  
WO DM/075180 7/2011

\* cited by examiner

*Primary Examiner* — Robert Delehanty

(74) *Attorney, Agent, or Firm* — Oblon, Spivak,  
McClelland, Maier & Neustadt, L.L.P.

(57) **CLAIM**

The ornamental design for a faucet, as shown and described.

**DESCRIPTION**

FIG. 1 is a front, top, and right side perspective view of a faucet;

FIG. 2 is a front elevational view thereof;

FIG. 3 is a rear elevational view thereof;

FIG. 4 is a right side elevational view thereof;

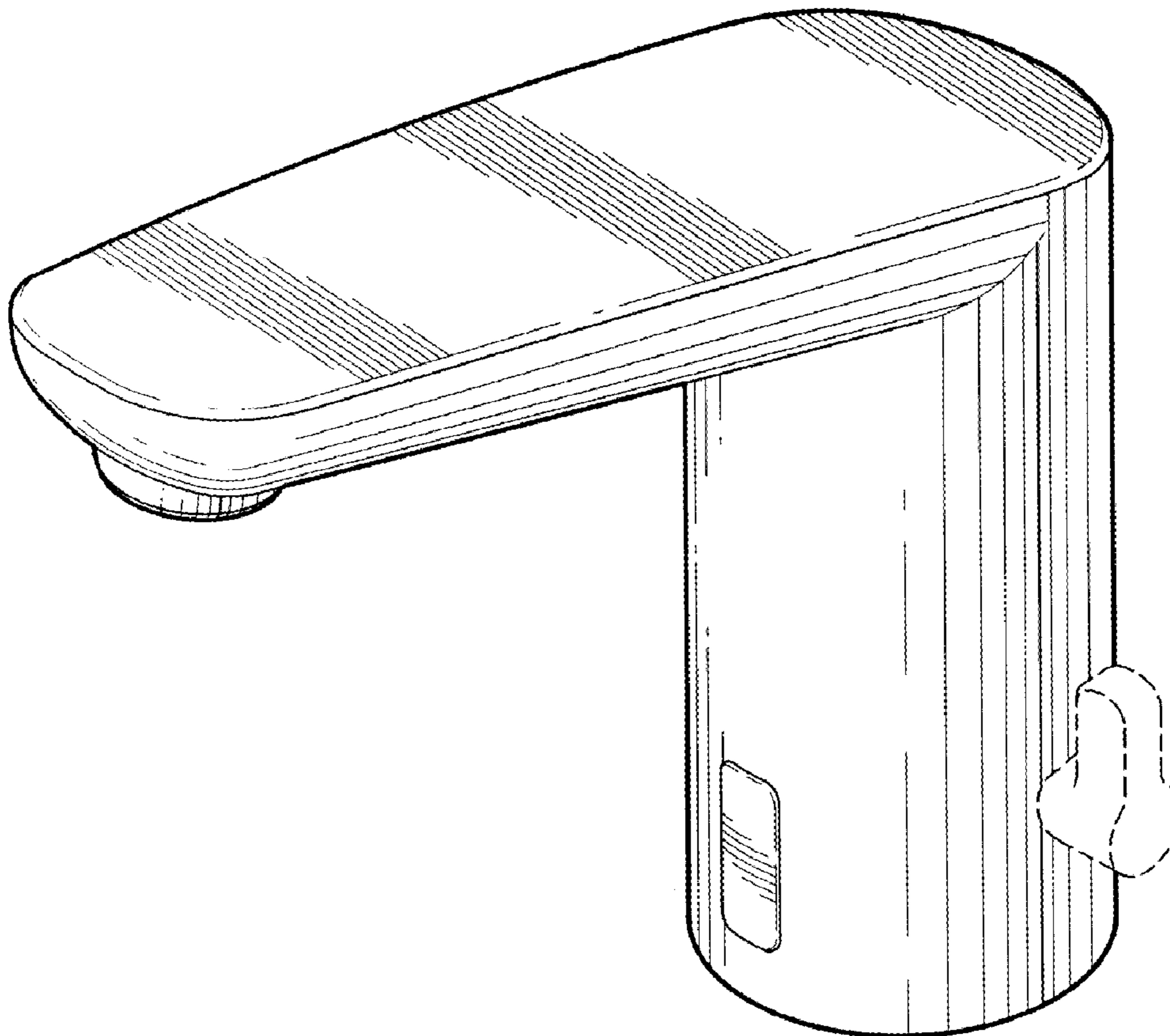
FIG. 5 is a left side elevational view thereof;

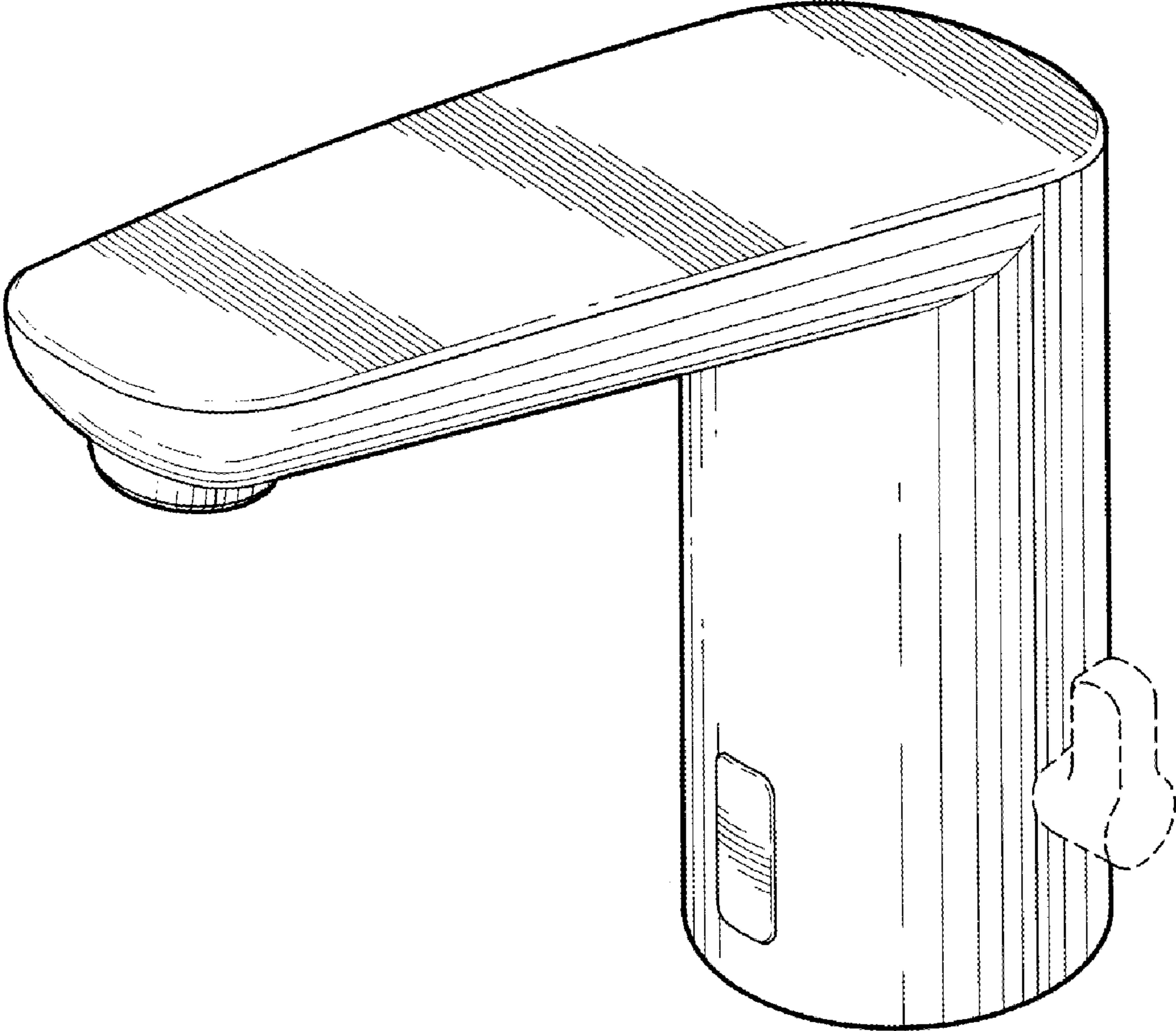
FIG. 6 is a top plan view thereof; and,

FIG. 7 is a bottom plan view thereof.

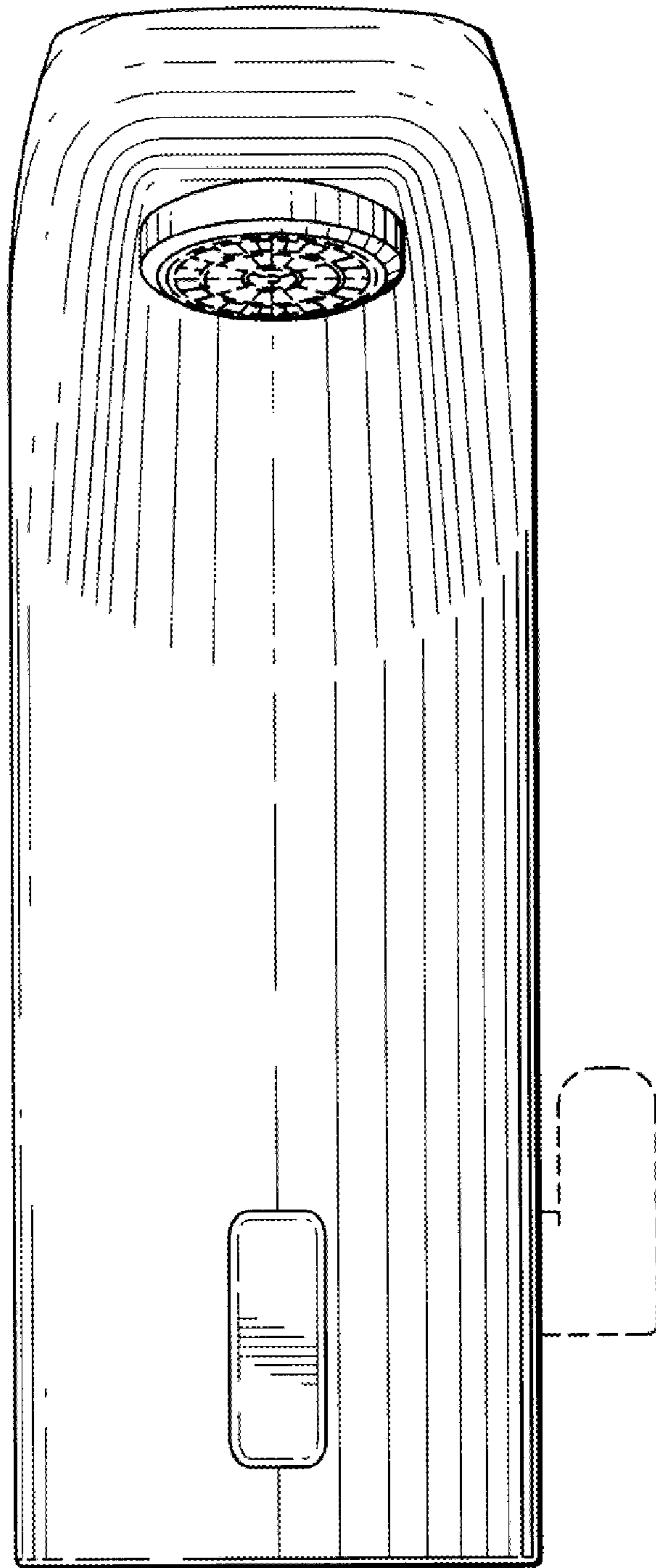
The broken line showing of portions of the faucet is included for the purpose of illustrating a portion of the faucet that forms no part of the claimed design.

**1 Claim, 7 Drawing Sheets**

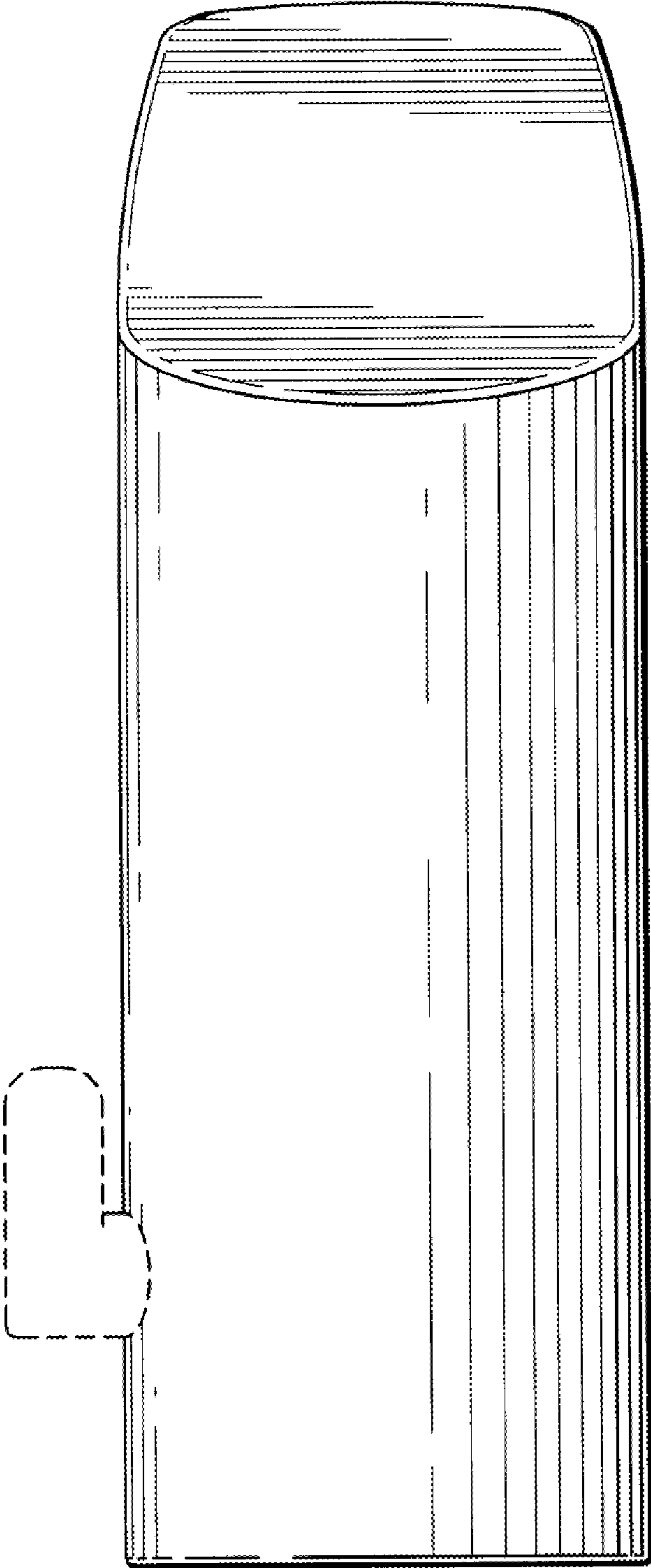




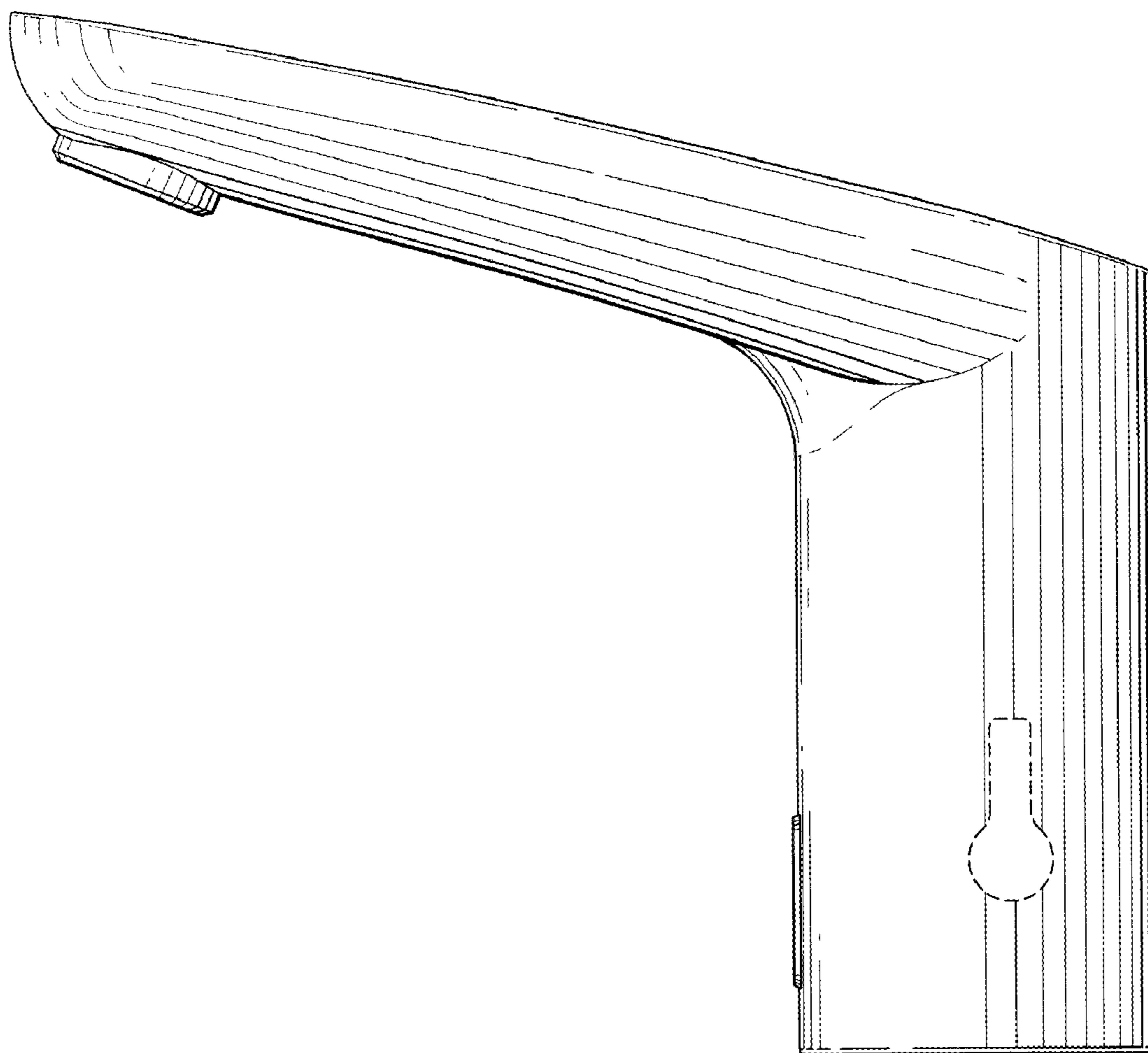
*Fig. 1*



*Fig. 2*

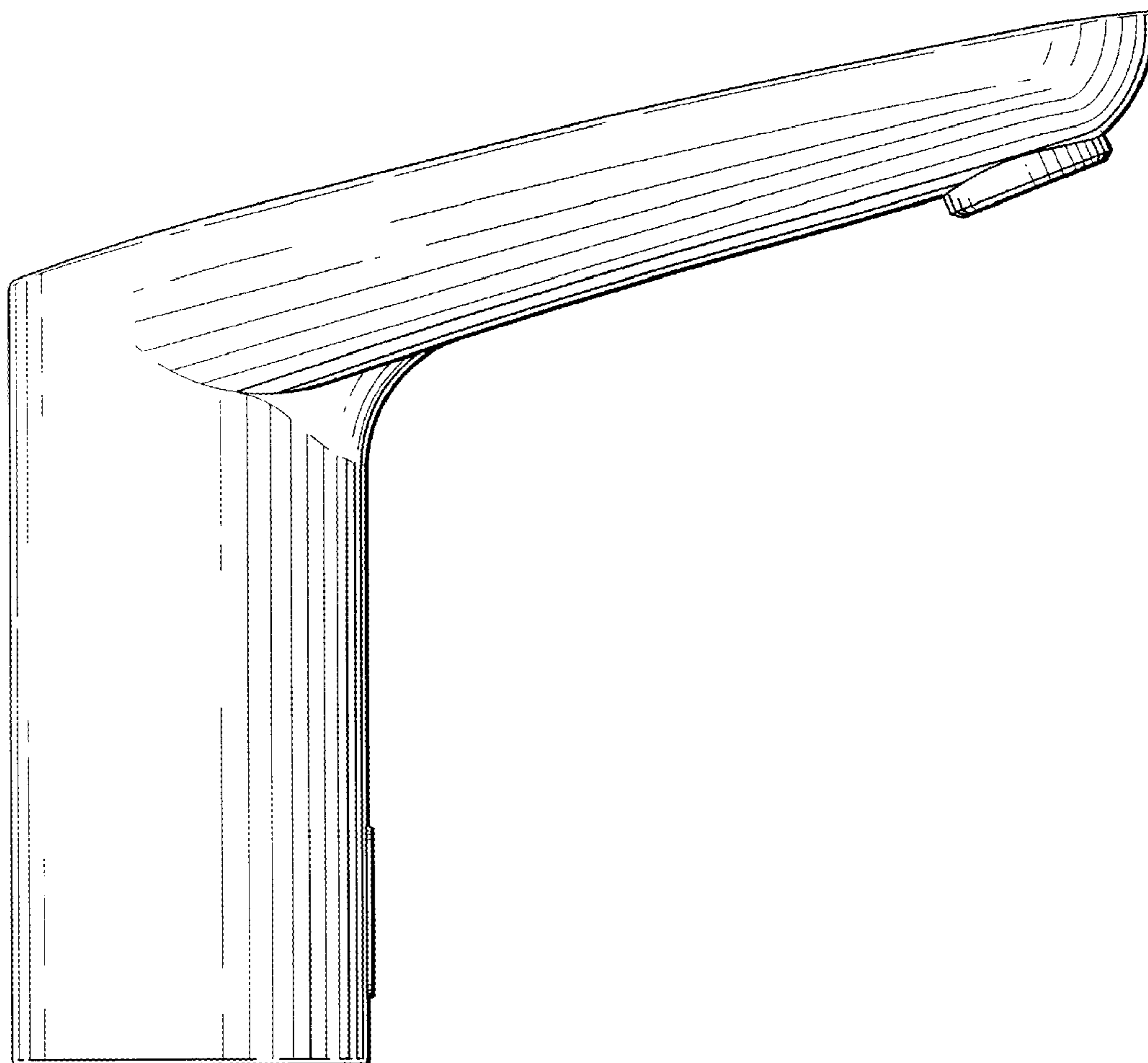


*Fig. 3*

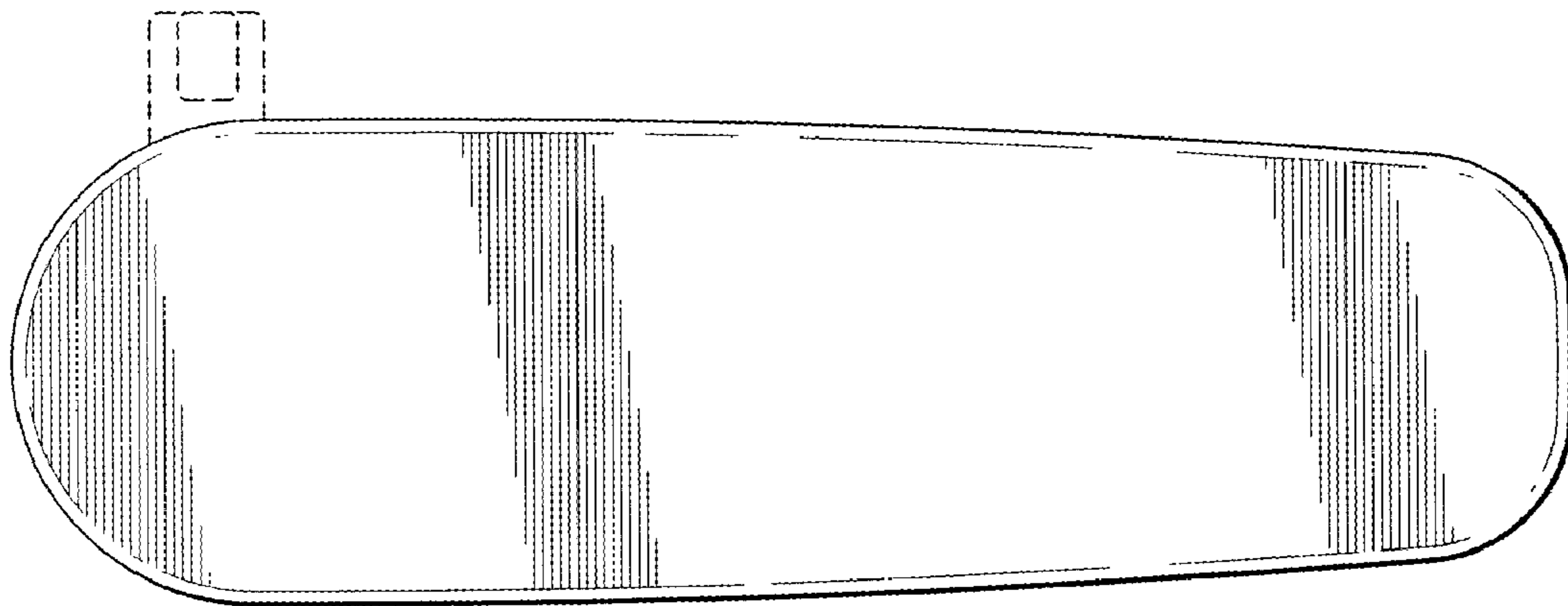


*Fig. 4*

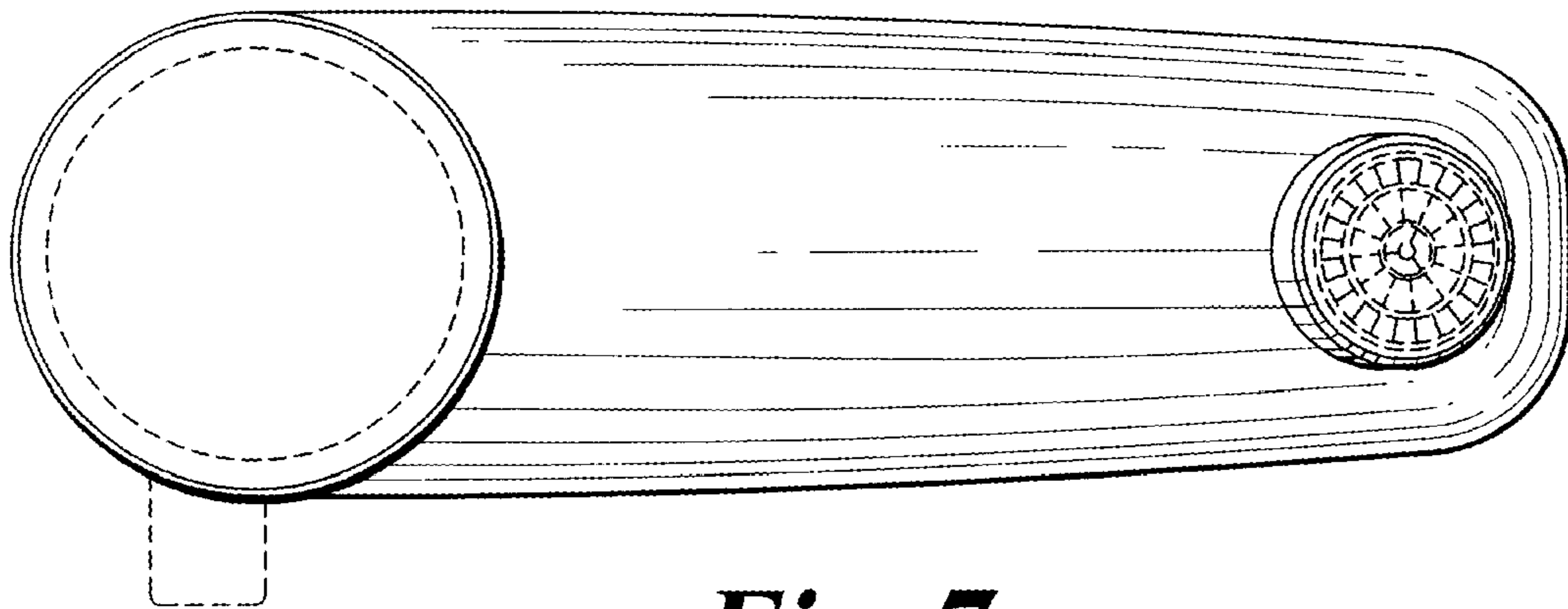




*Fig. 5*



*Fig. 6*



*Fig. 7*