

US00D667528S

(12) **United States Design Patent**
Tate, Jr.

(10) **Patent No.:** **US D667,528 S**

(45) **Date of Patent:** **** Sep. 18, 2012**

(54) **QUICK SET DOVE DECOY TREE**

(76) **Inventor:** **Mark Edward Tate, Jr.**, Greenville, MS
(US)

(**) **Term:** **14 Years**

(21) **Appl. No.:** **29/388,819**

(22) **Filed:** **Apr. 1, 2011**

(51) **LOC (9) Cl.** **22-05**

(52) **U.S. Cl.** **D22/125**

(58) **Field of Classification Search** D22/125,
D22/147-148, 199; 43/2-3; 248/156, 175-176.1,
248/87, 530, 545; 135/118; 47/44, 47
See application file for complete search history.

(56) **References Cited**

U.S. PATENT DOCUMENTS

| | | | | |
|----------------|---------|------------------|-------|---------|
| D344,321 S * | 2/1994 | DeWitt | | D22/148 |
| D482,752 S * | 11/2003 | Alexander et al. | | D22/125 |
| 6,938,370 B2 * | 9/2005 | Johns | | 248/530 |
| 7,131,230 B1 * | 11/2006 | Gilsdorf | | 43/3 |
| D560,266 S * | 1/2008 | Hardison et al. | | D22/125 |
| D605,727 S * | 12/2009 | Anderson | | D22/125 |

* cited by examiner

Primary Examiner — Catheri Oliver

(74) *Attorney, Agent, or Firm* — Sinorica, LLC

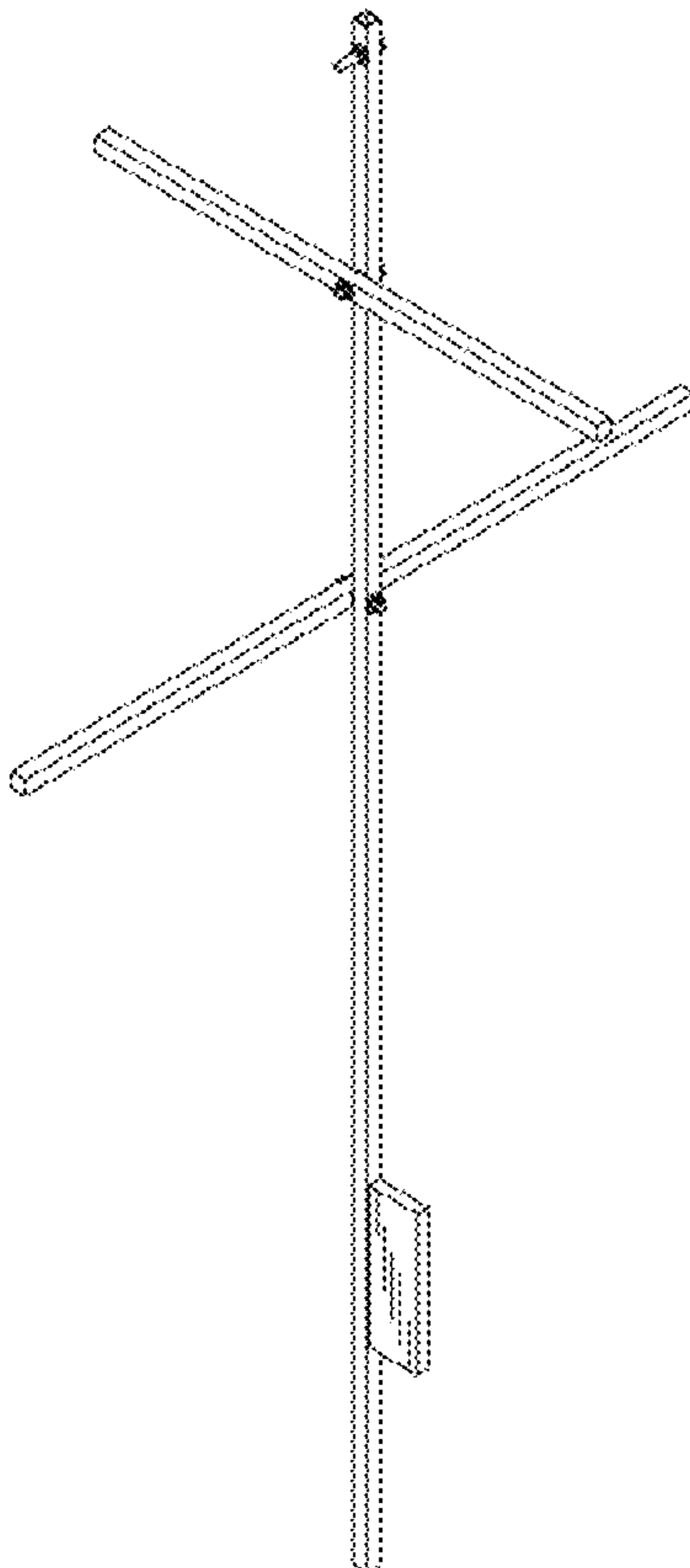
(57) **CLAIM**

The ornamental design for a quick set dove decoy tree, as shown and described.

DESCRIPTION

FIG. 1 is a perspective view of a quick set dove decoy tree;
 FIG. 2 is a front elevational view thereof;
 FIG. 3 is a rear elevational view thereof;
 FIG. 4 is a right-side elevational view thereof;
 FIG. 5 is a left-side elevational view thereof;
 FIG. 6 is a bottom plan view thereof;
 FIG. 7 is a top plan view thereof;
 FIG. 8 is a perspective view showing the circle upon which the close-up is taken and shown in FIG. 9;
 FIG. 9 is a perspective close-up view of the upper bolt-nut-washer arrangement;
 FIG. 10 is a front elevational view showing the circle upon which the close-up is taken and shown in FIG. 11;
 FIG. 11 is a front close-up view of the upper bolt-nut-washer arrangement;
 FIG. 12 is a right-side elevational view showing the circle upon which the close-up is taken and shown in FIG. 13;
 FIG. 13 is a right-side close-up view of the upper bolt-nut-washer arrangement;
 FIG. 14 is a top plan view showing the circle upon which the close-up is taken and shown in FIG. 15; and,
 FIG. 15 is a top close-up view of the upper bolt-nut-washer arrangement.

1 Claim, 11 Drawing Sheets



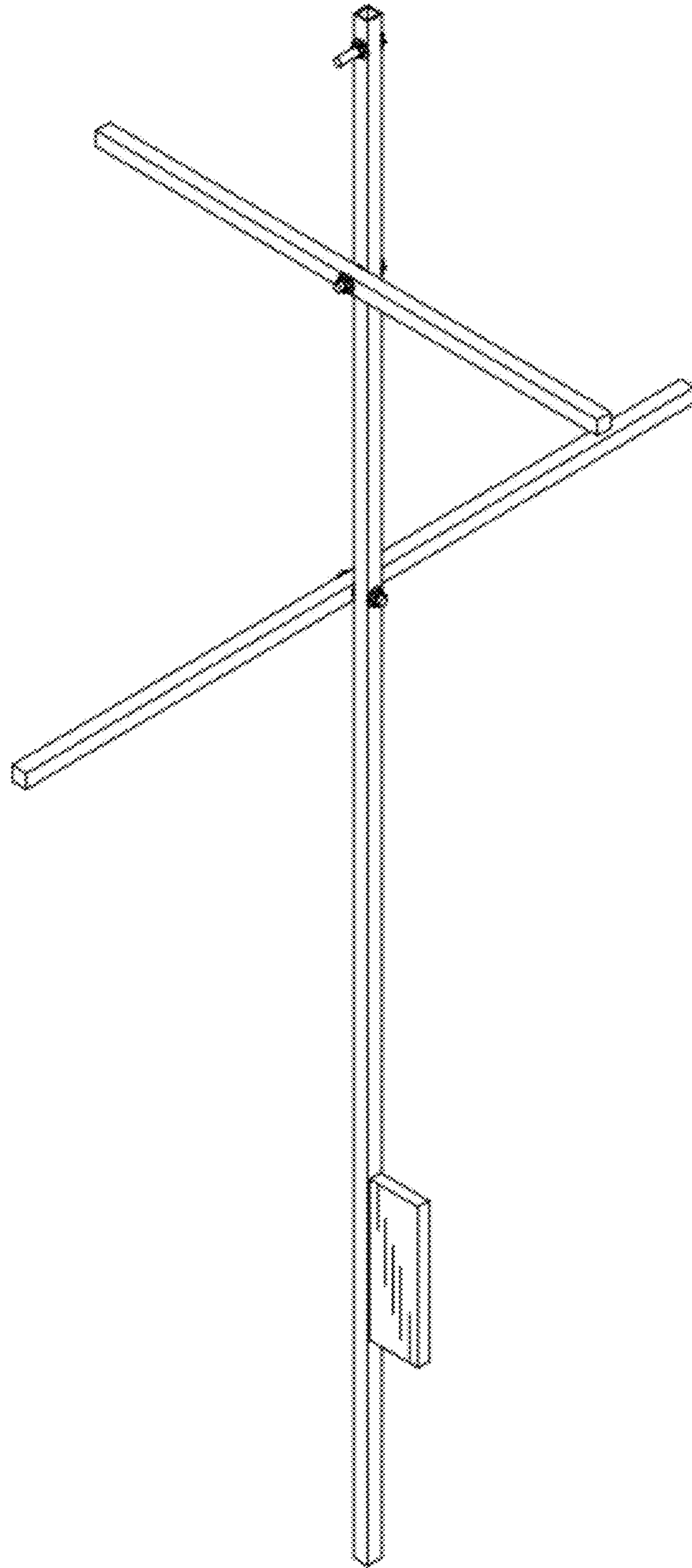


FIG. 1

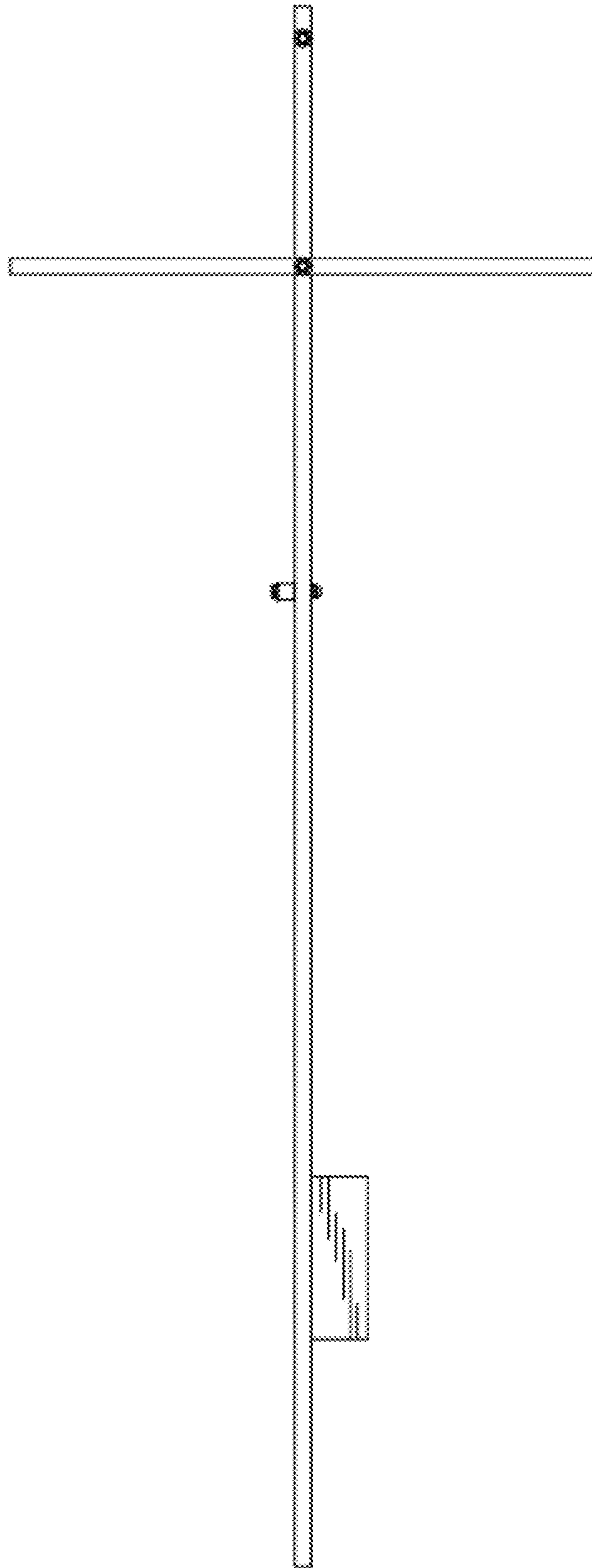


FIG. 2

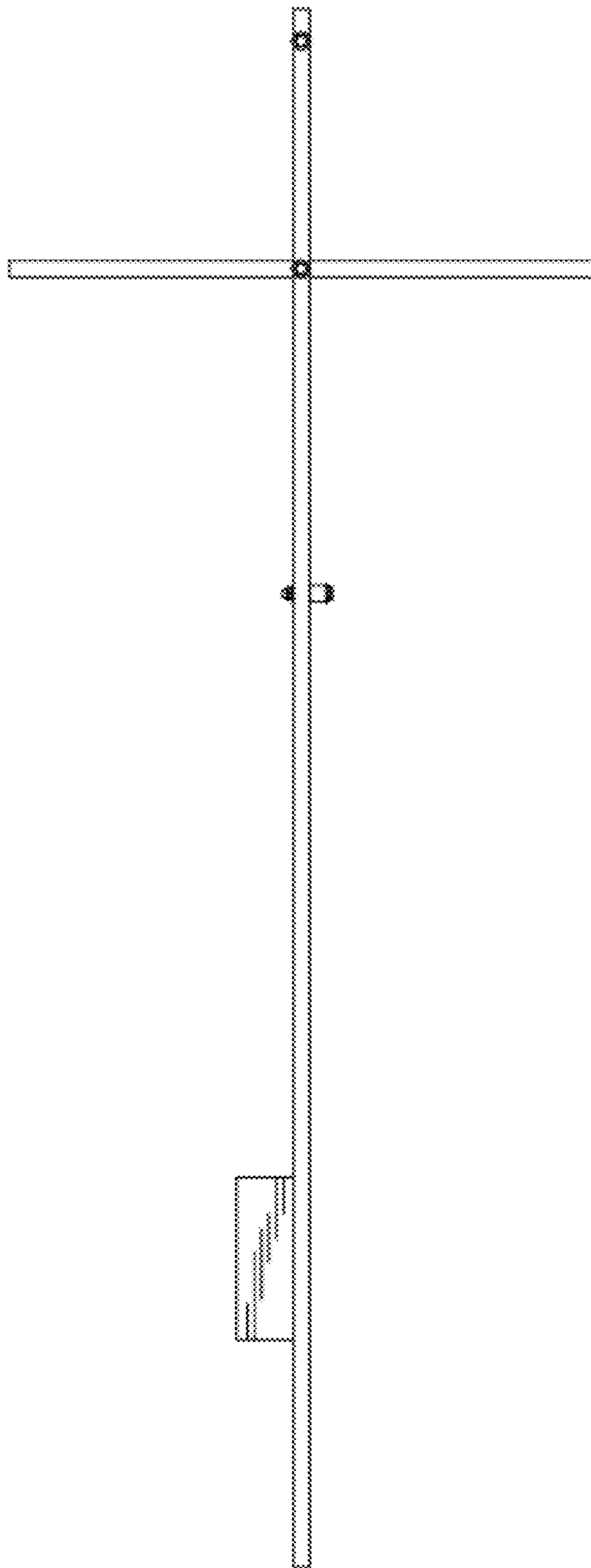


FIG. 3

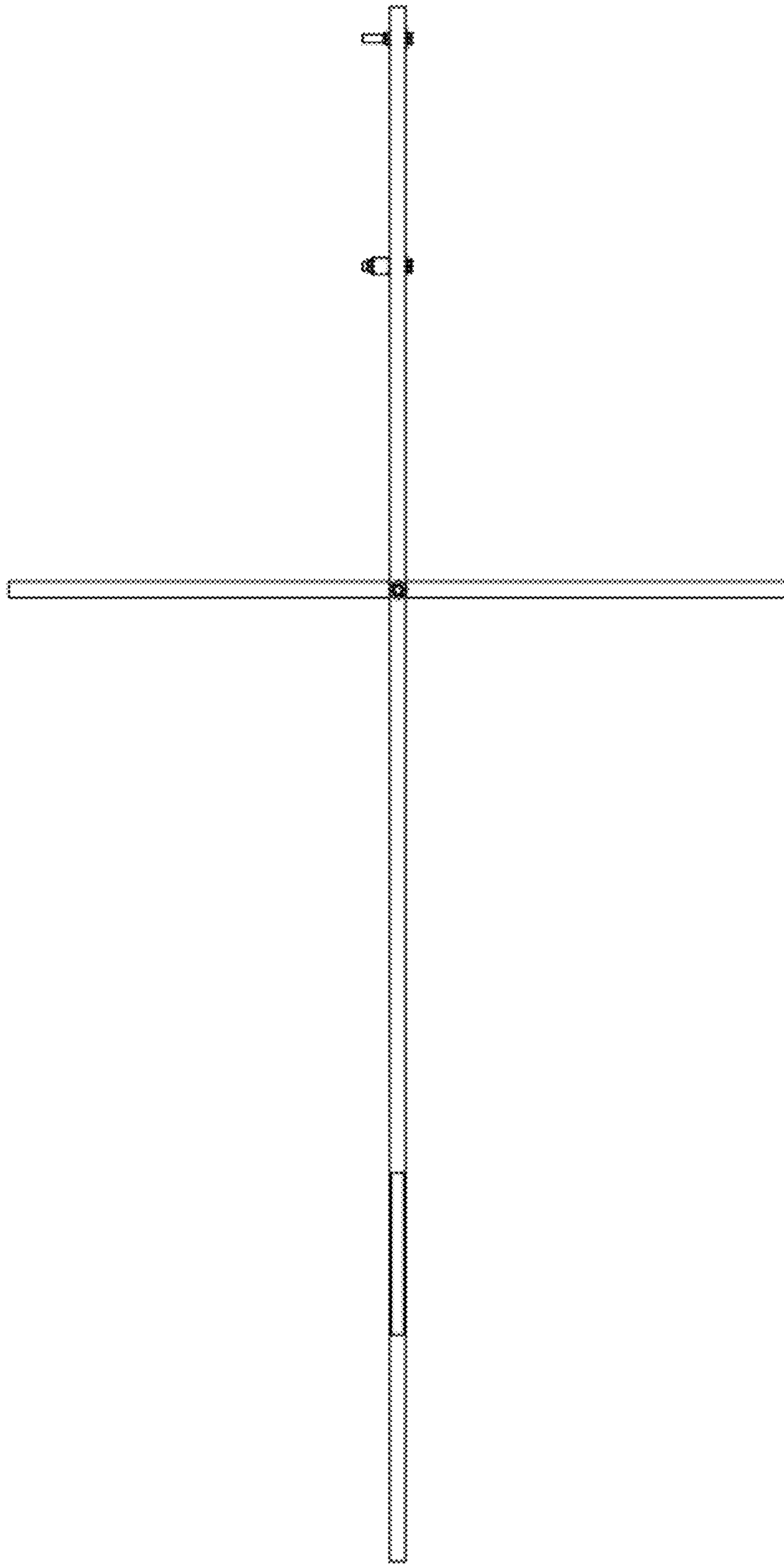


FIG. 4

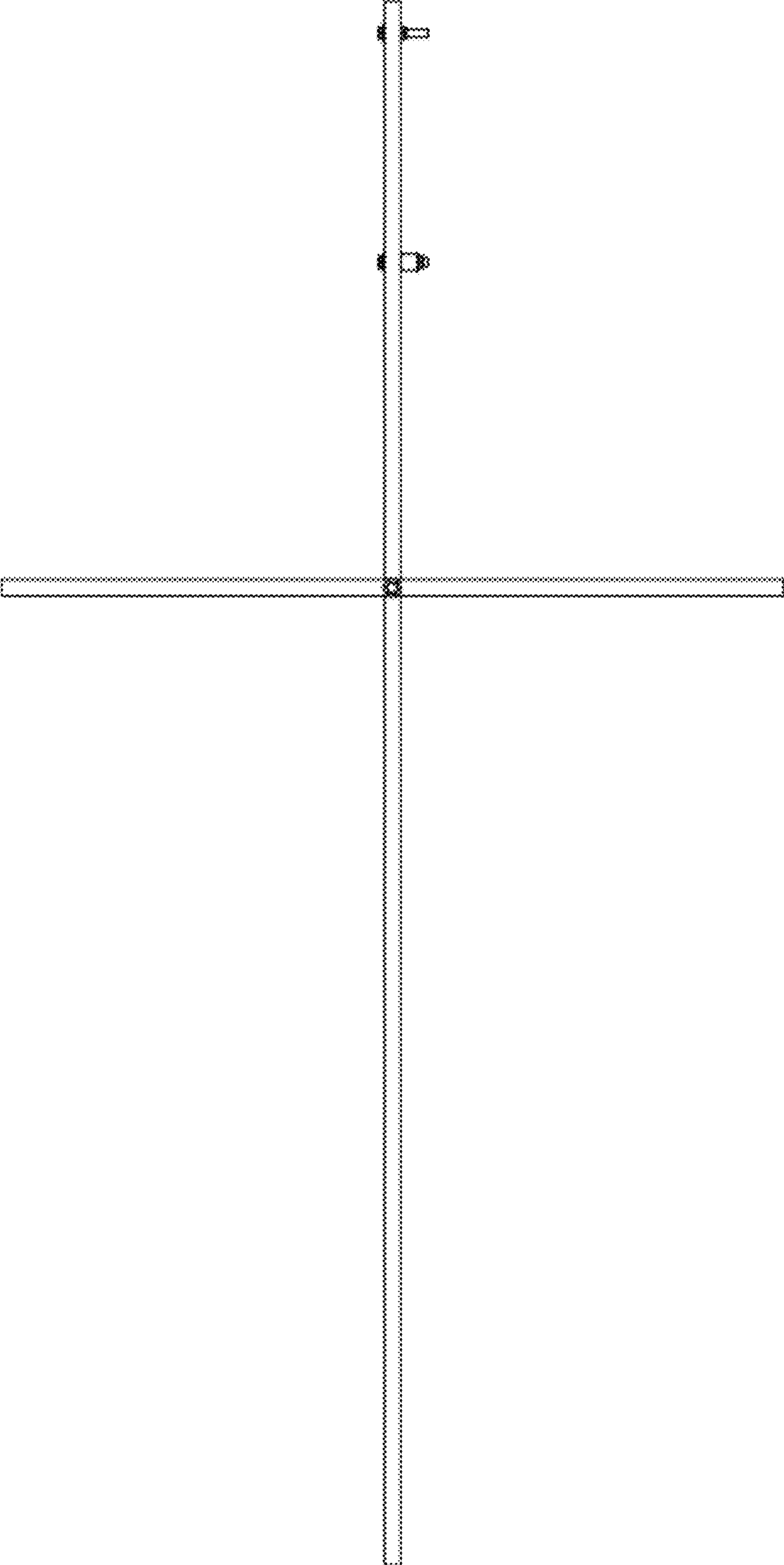


FIG. 5

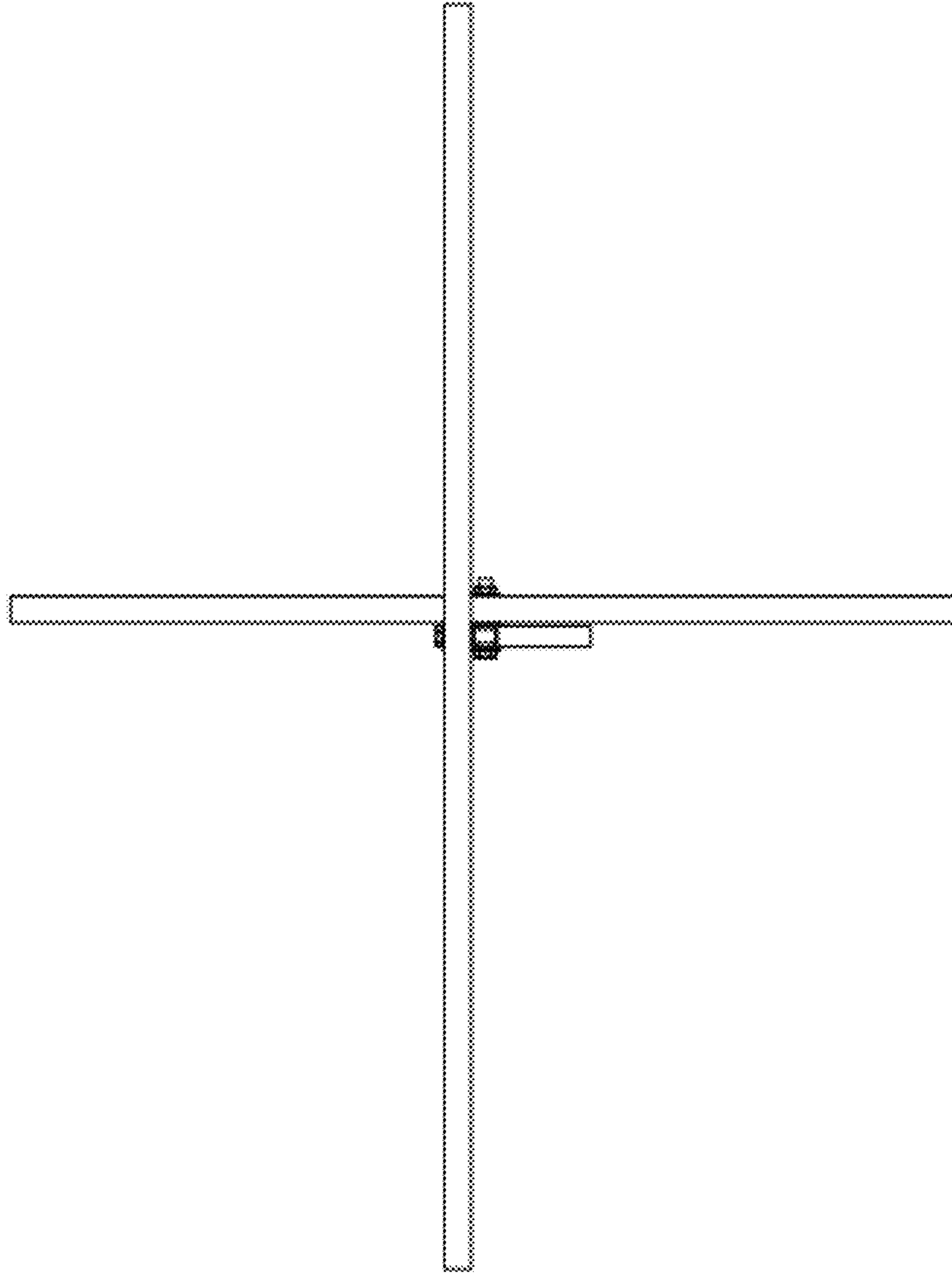


FIG. 6

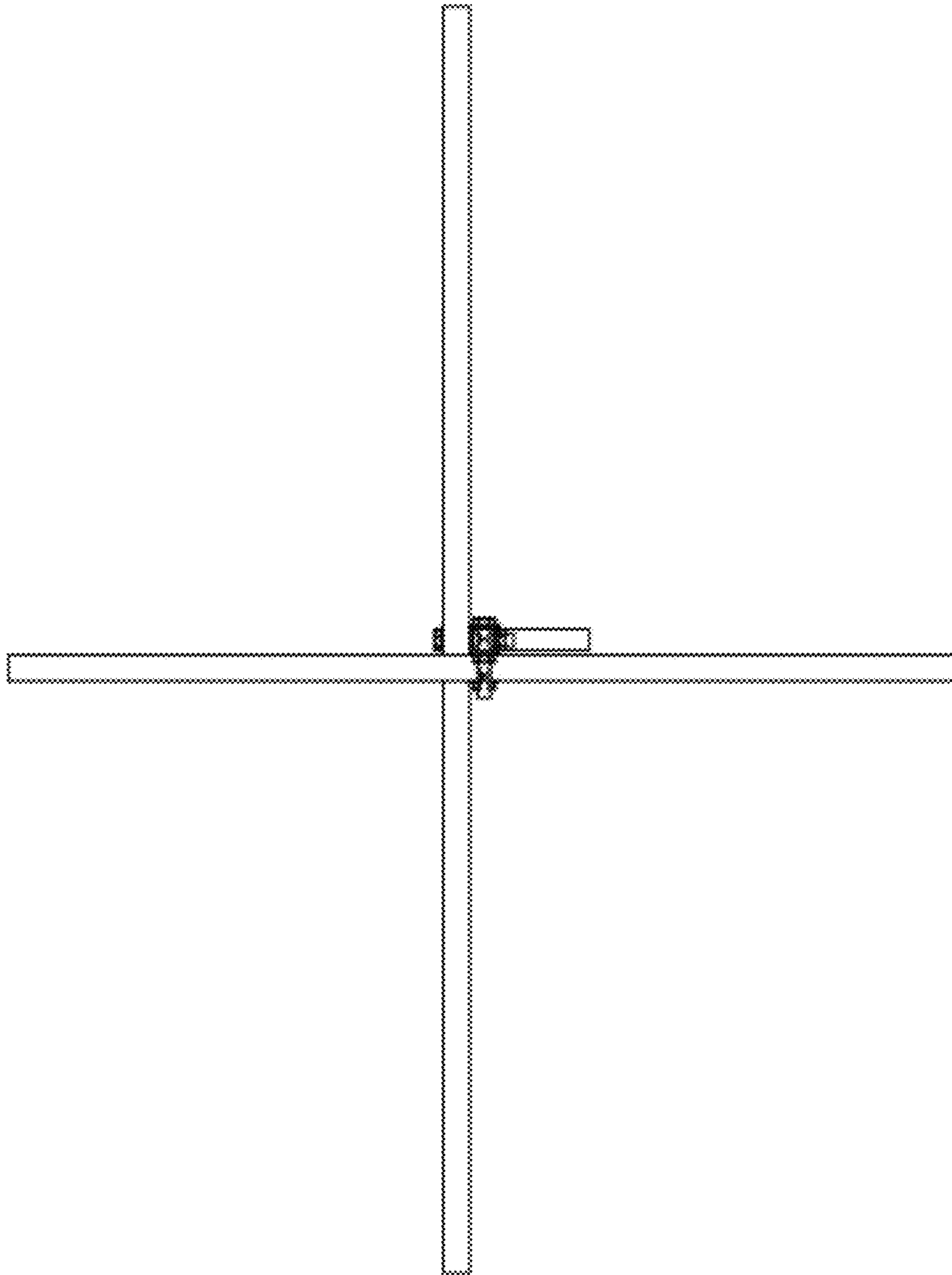


FIG. 7

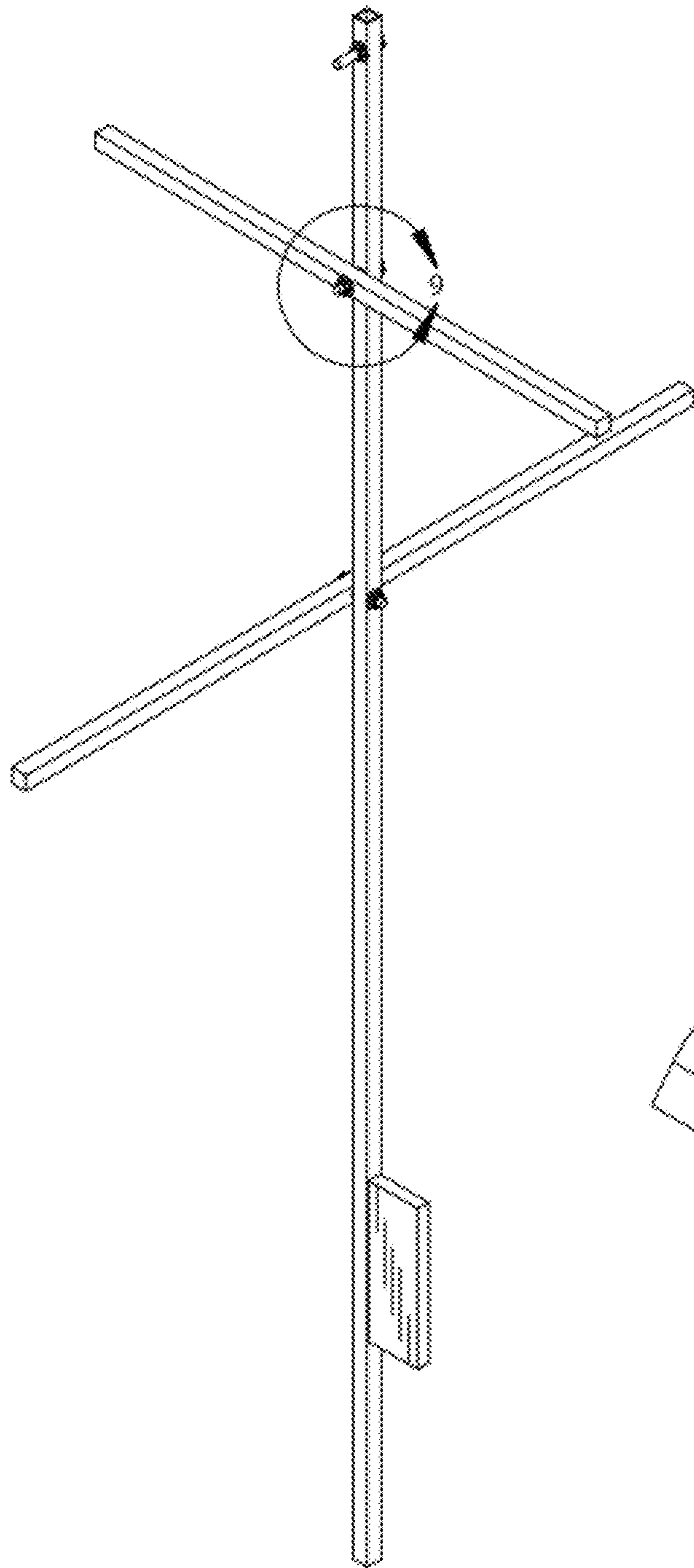


FIG. 8

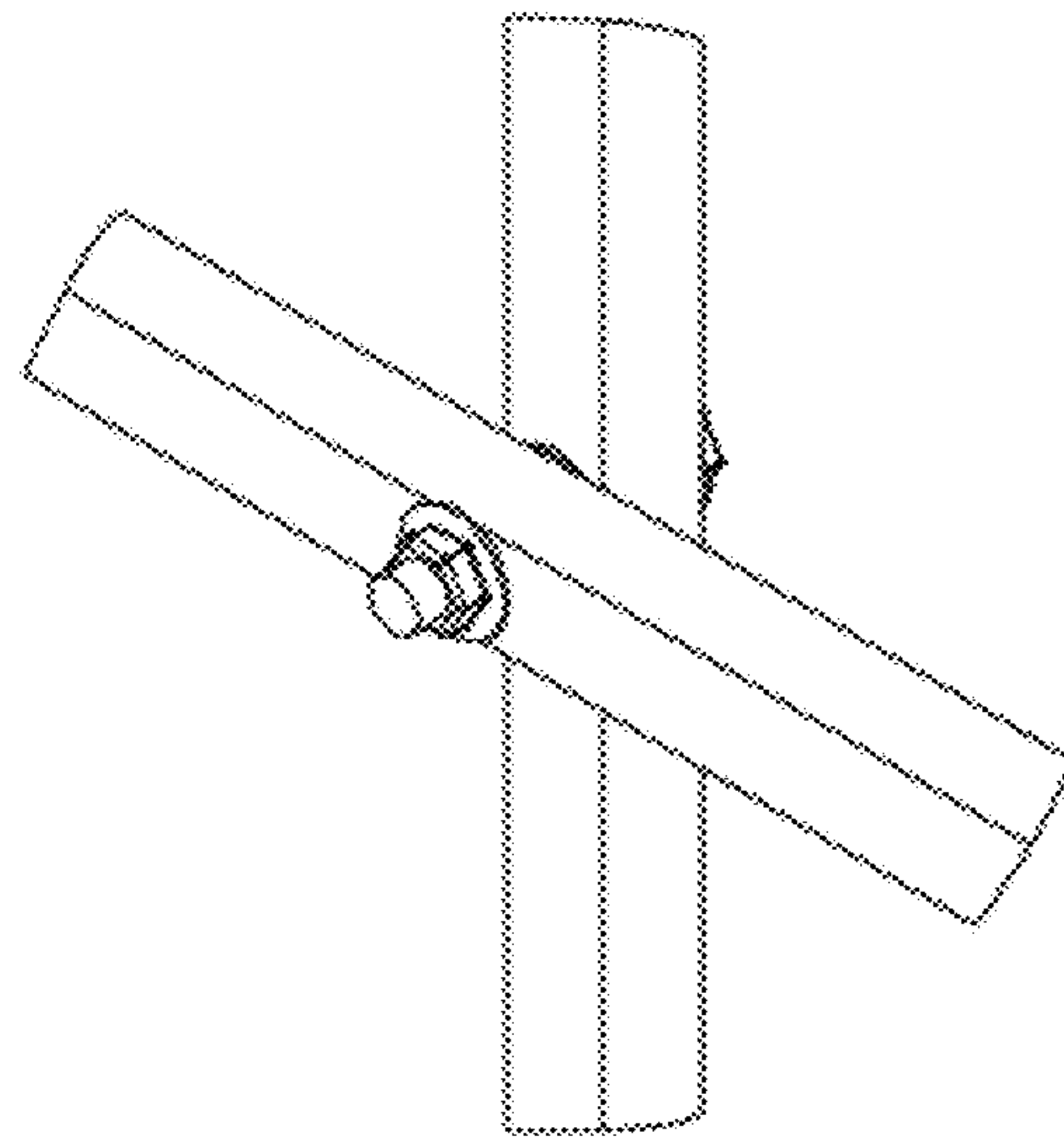


FIG. 9

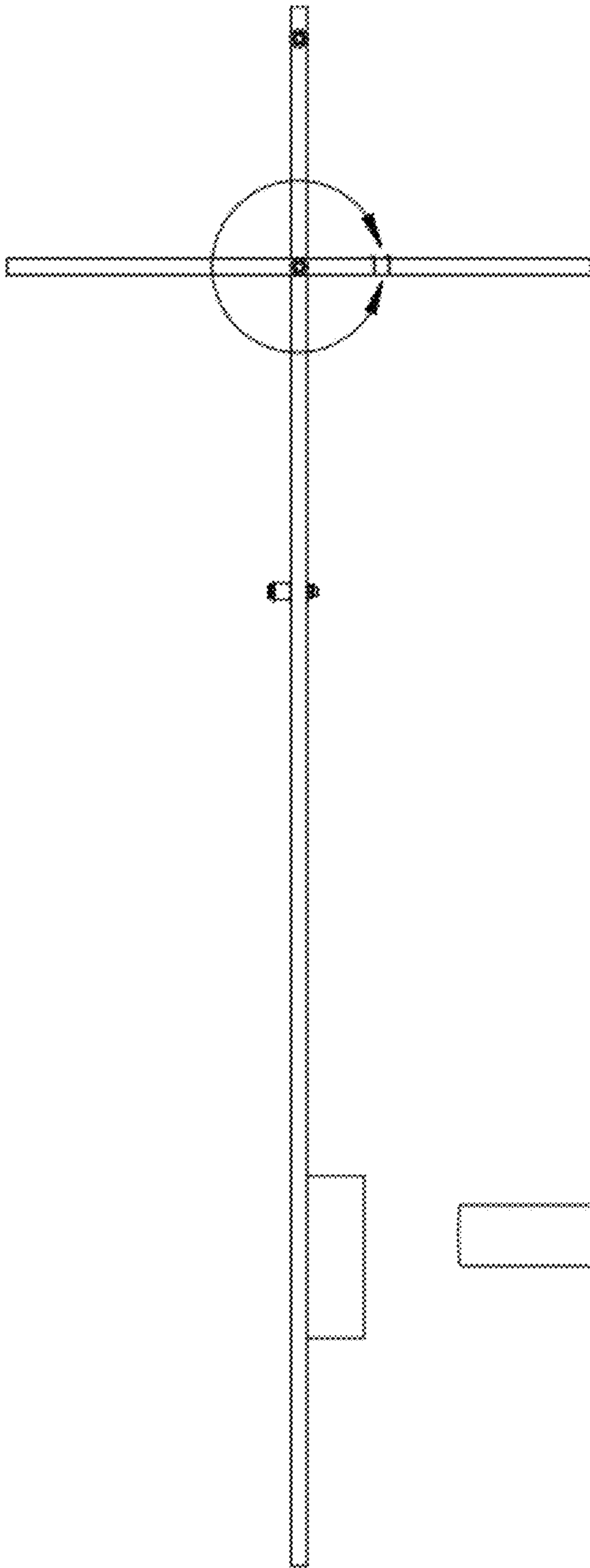


FIG. 10

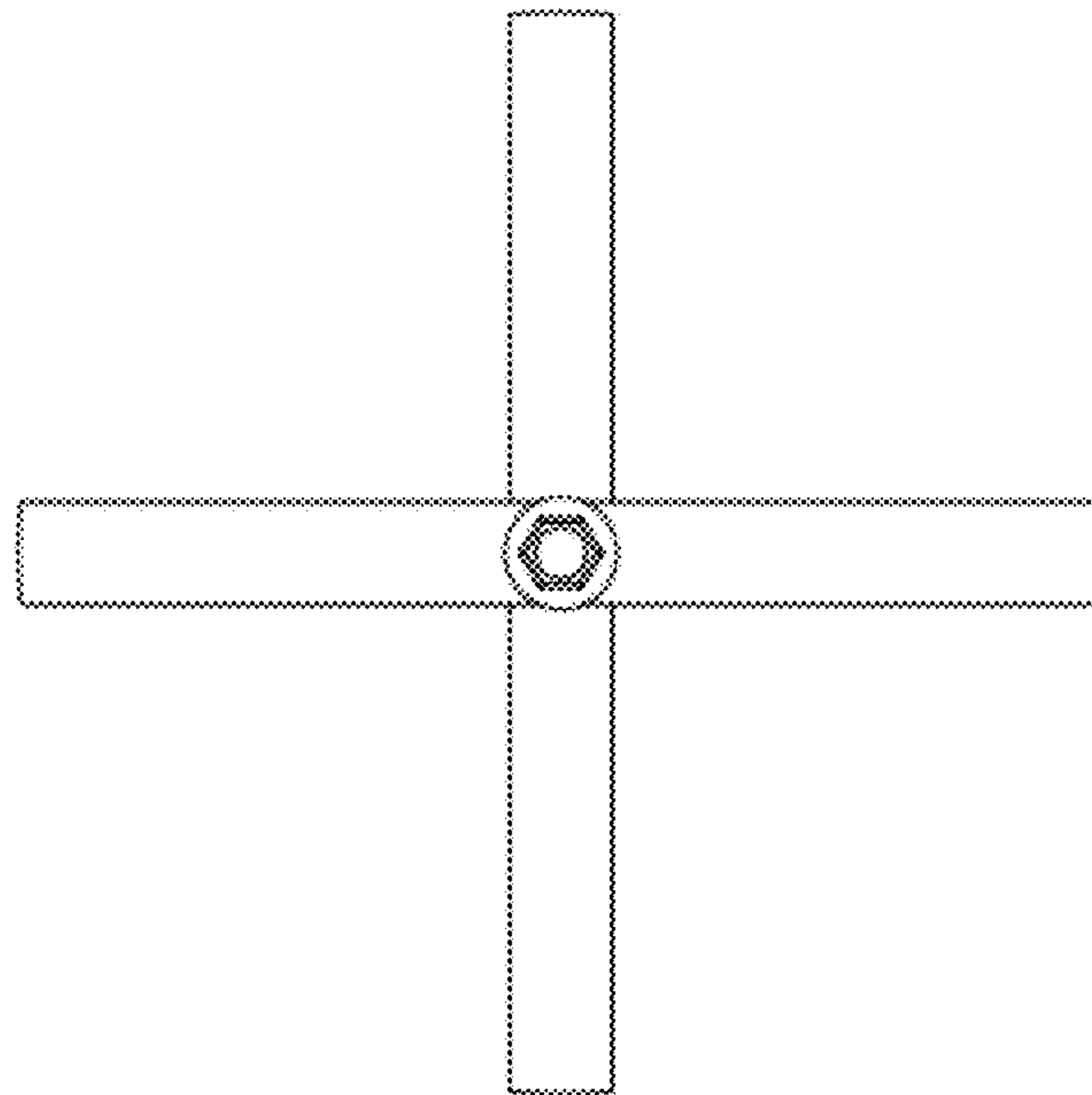


FIG. 11

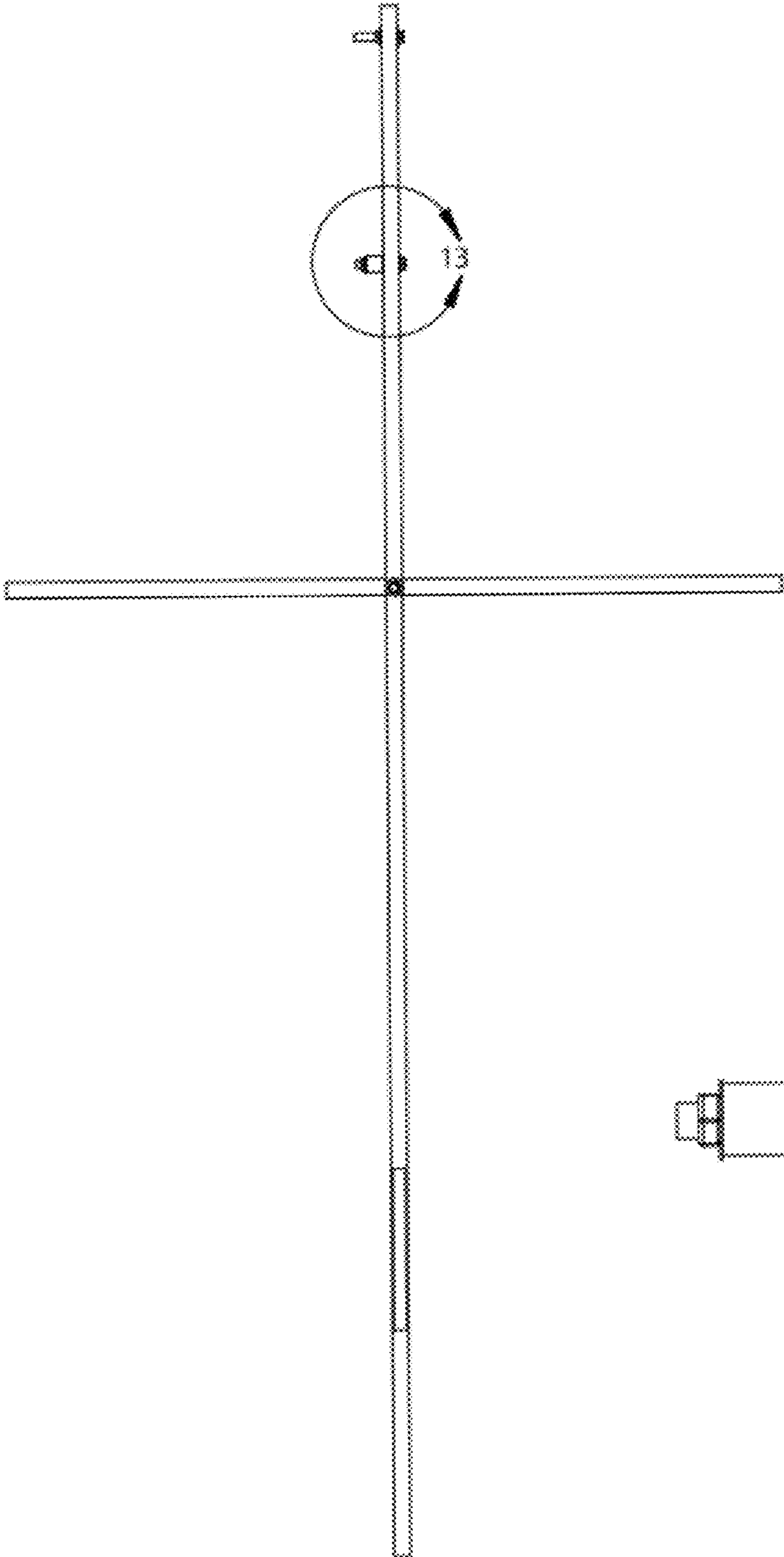


FIG. 12

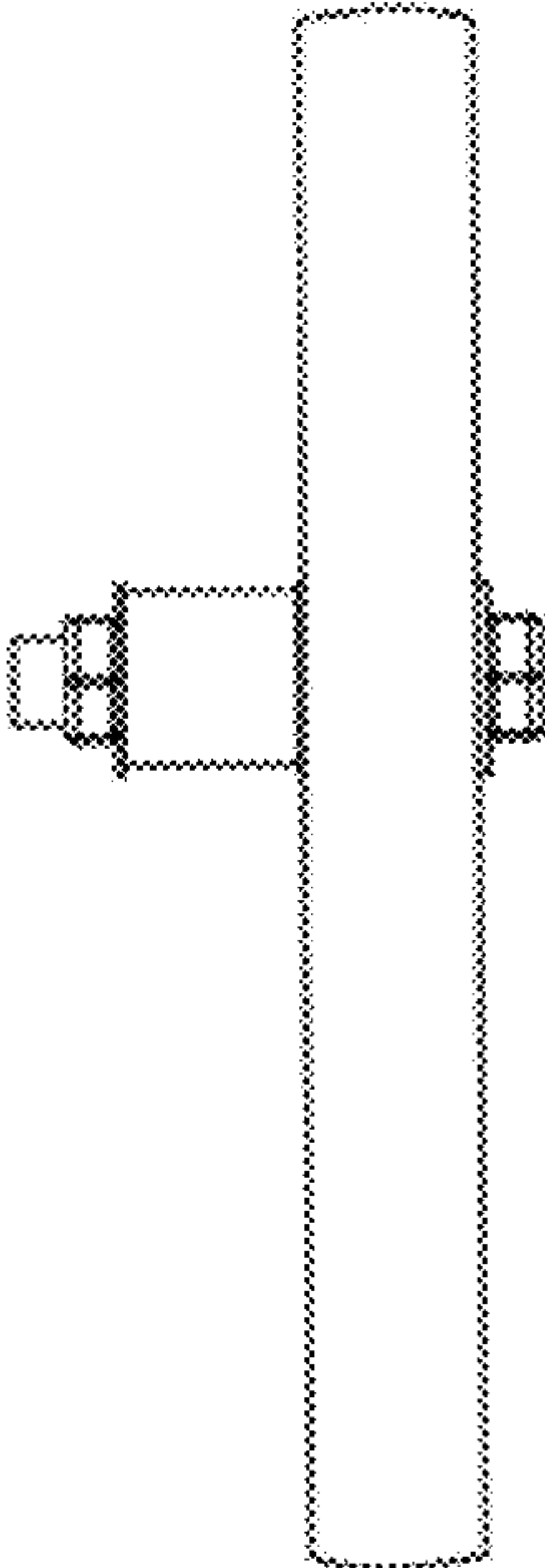


FIG. 13

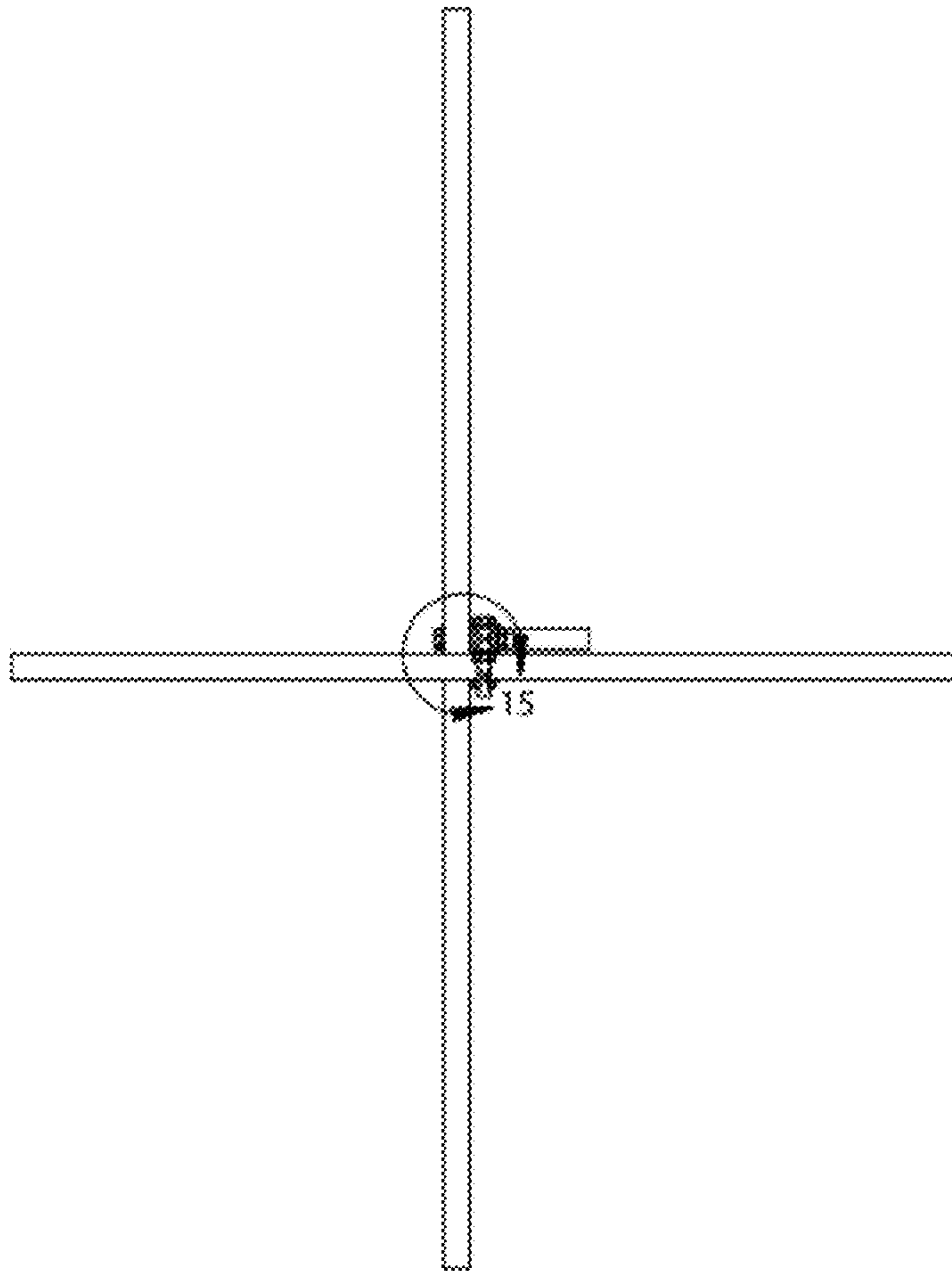


FIG. 14

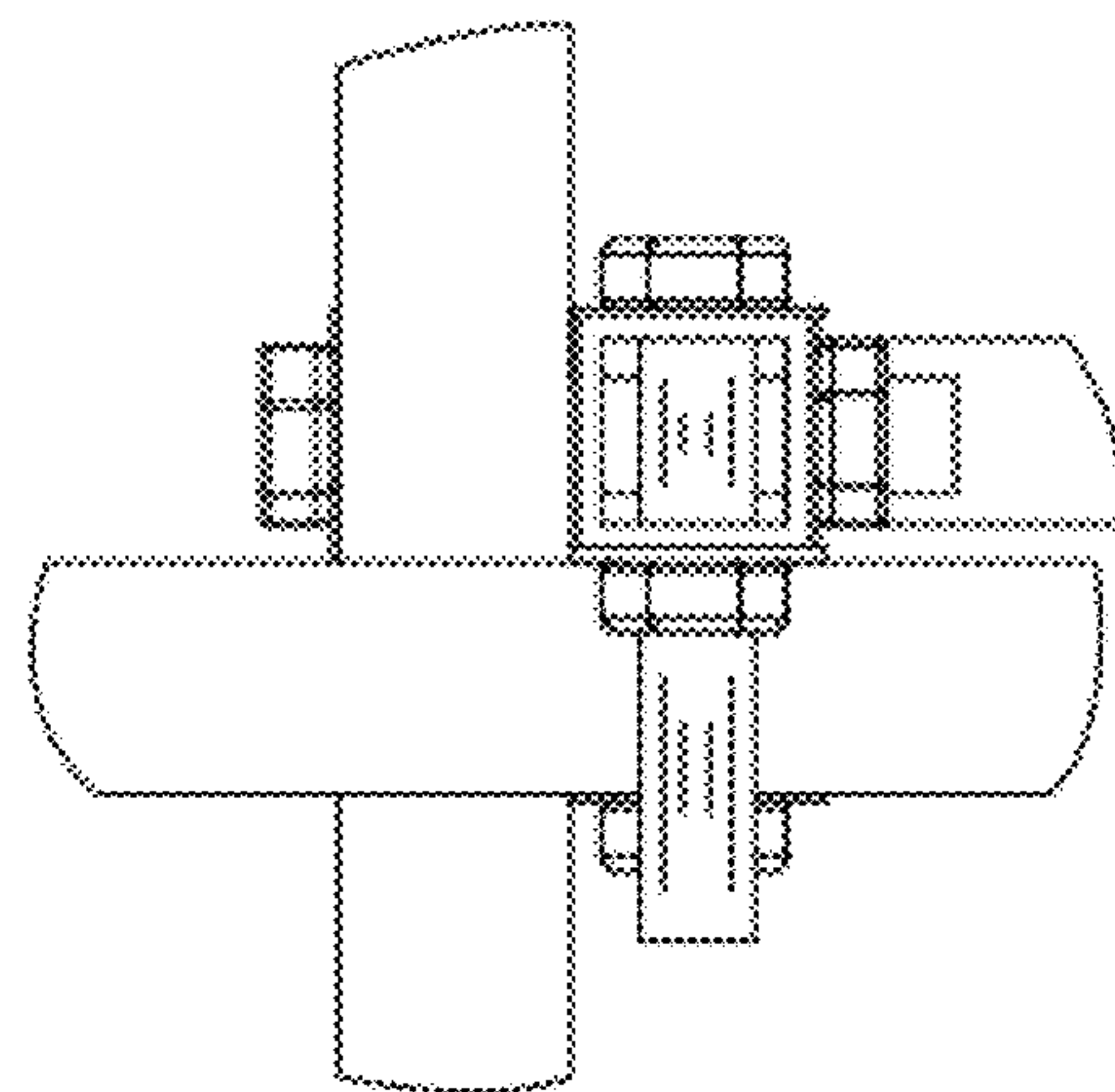


FIG. 15