



US00D667527S

(12) **United States Design Patent**
Tate, Jr.

(10) **Patent No.:** **US D667,527 S**
(45) **Date of Patent:** **** Sep. 18, 2012**

(54) **JERK STRING DUCK DECOY STAKE**

(76) Inventor: **Mark Edward Tate, Jr.**, Greenville, MS
(US)

(**) Term: **14 Years**

(21) Appl. No.: **29/388,817**

(22) Filed: **Apr. 1, 2011**

(51) **LOC (9) Cl.** **22-05**

(52) **U.S. Cl.** **D22/125**

(58) **Field of Classification Search** D22/125,
D22/147-148, 199; 43/2-3; 248/156, 175-176.1,
248/87, 530, 545; 446/331, 380; 135/118;
47/44, 47

See application file for complete search history.

(56) **References Cited**

U.S. PATENT DOCUMENTS

D344,321 S *	2/1994	DeWitt	D22/147
D482,752 S *	11/2003	Alexander et al.	D22/125
6,938,370 B2 *	9/2005	Johns	248/530
7,131,230 B1 *	11/2006	Gilsdorf	43/3
D560,266 S *	1/2008	Hardison et al.	D22/125
D605,727 S *	12/2009	Anderson	D22/125

* cited by examiner

Primary Examiner — Catheri Oliver

(74) *Attorney, Agent, or Firm* — Sinorica, LLC

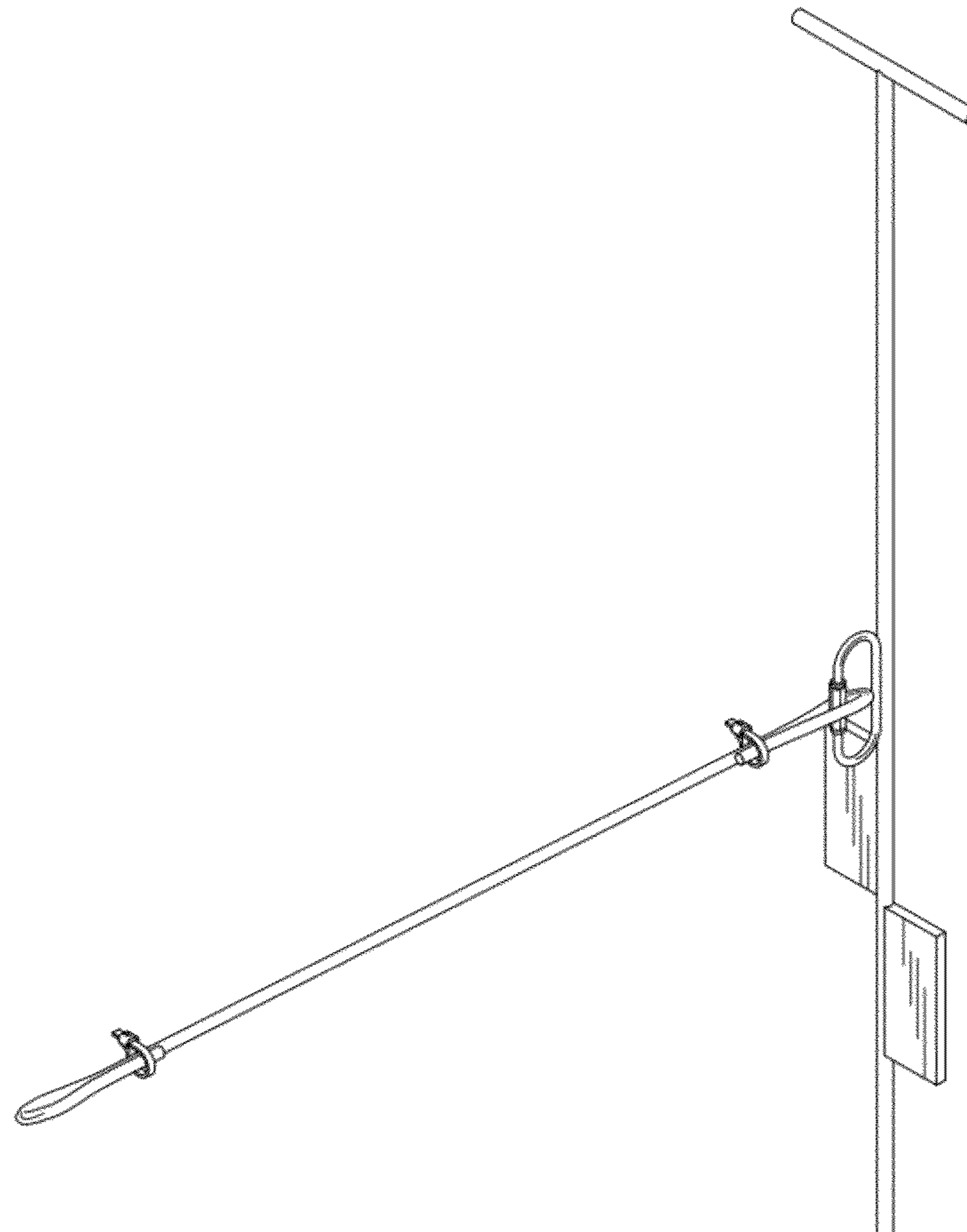
(57) **CLAIM**

The ornamental design for a jerk string duck decoy stake, as shown and described.

DESCRIPTION

FIG. 1 is a perspective view of a jerk string duck decoy stake; FIG. 2 is a front elevational view thereof; FIG. 3 is a rear elevational view thereof; FIG. 4 is a right-side elevational view thereof; FIG. 5 is a left-side elevational view thereof; FIG. 6 is a bottom plan view thereof; FIG. 7 is a top plan view thereof; FIG. 8 is a right-side elevational view showing the circle upon which the close-up is taken and shown in FIG. 9; FIG. 9 is a close-up view of the D-ring on the jerk string duck decoy stake; and, FIG. 10 is an environmental view of the present invention. The two rectangular shapes are underground. The broken line showing of a duck and waterline is for the purpose of illustrating environmental structure and forms no part of the claimed design.

1 Claim, 8 Drawing Sheets



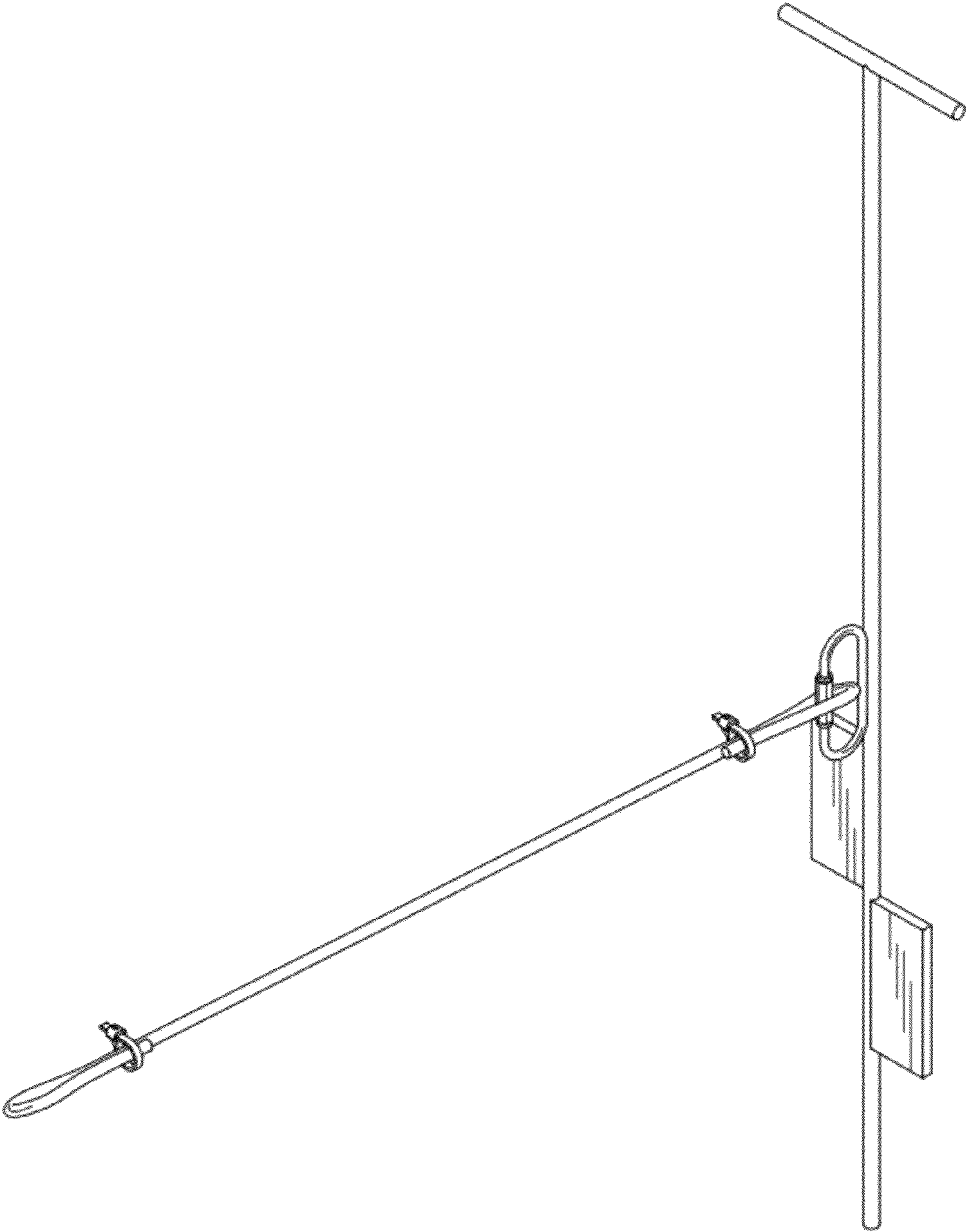


FIG. 1

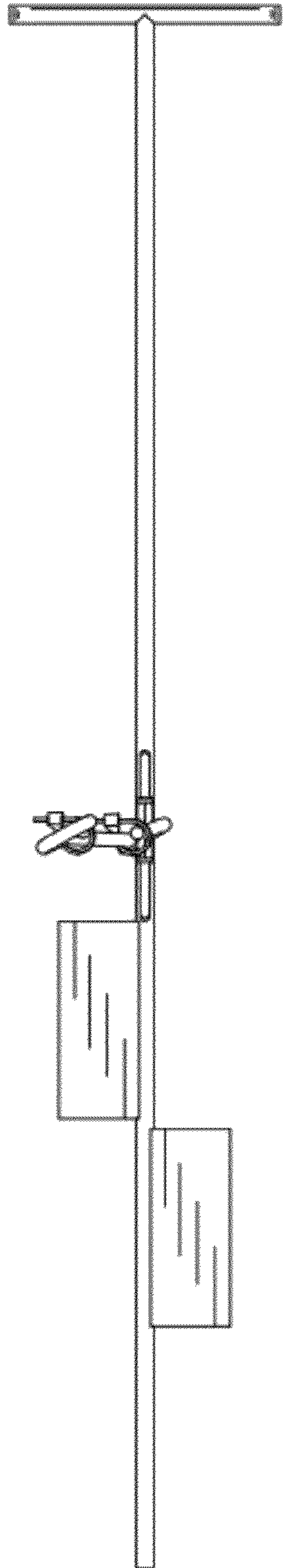


FIG. 2

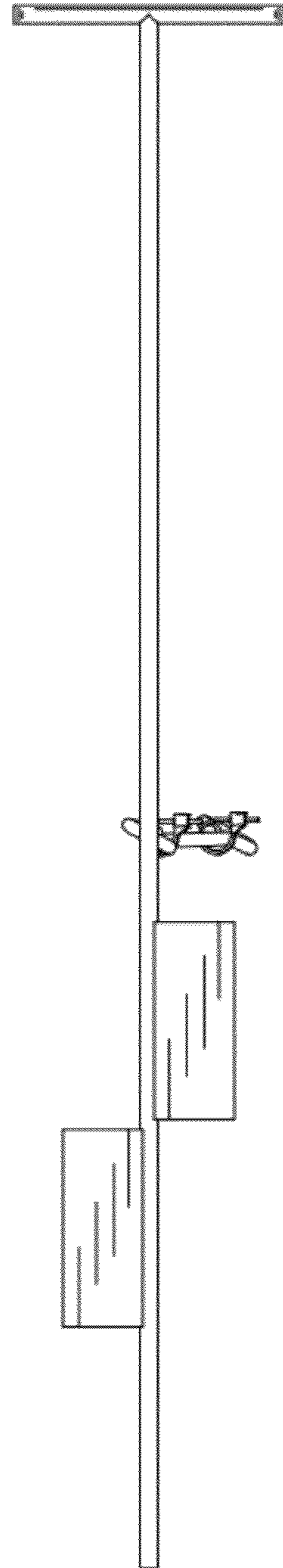


FIG. 3

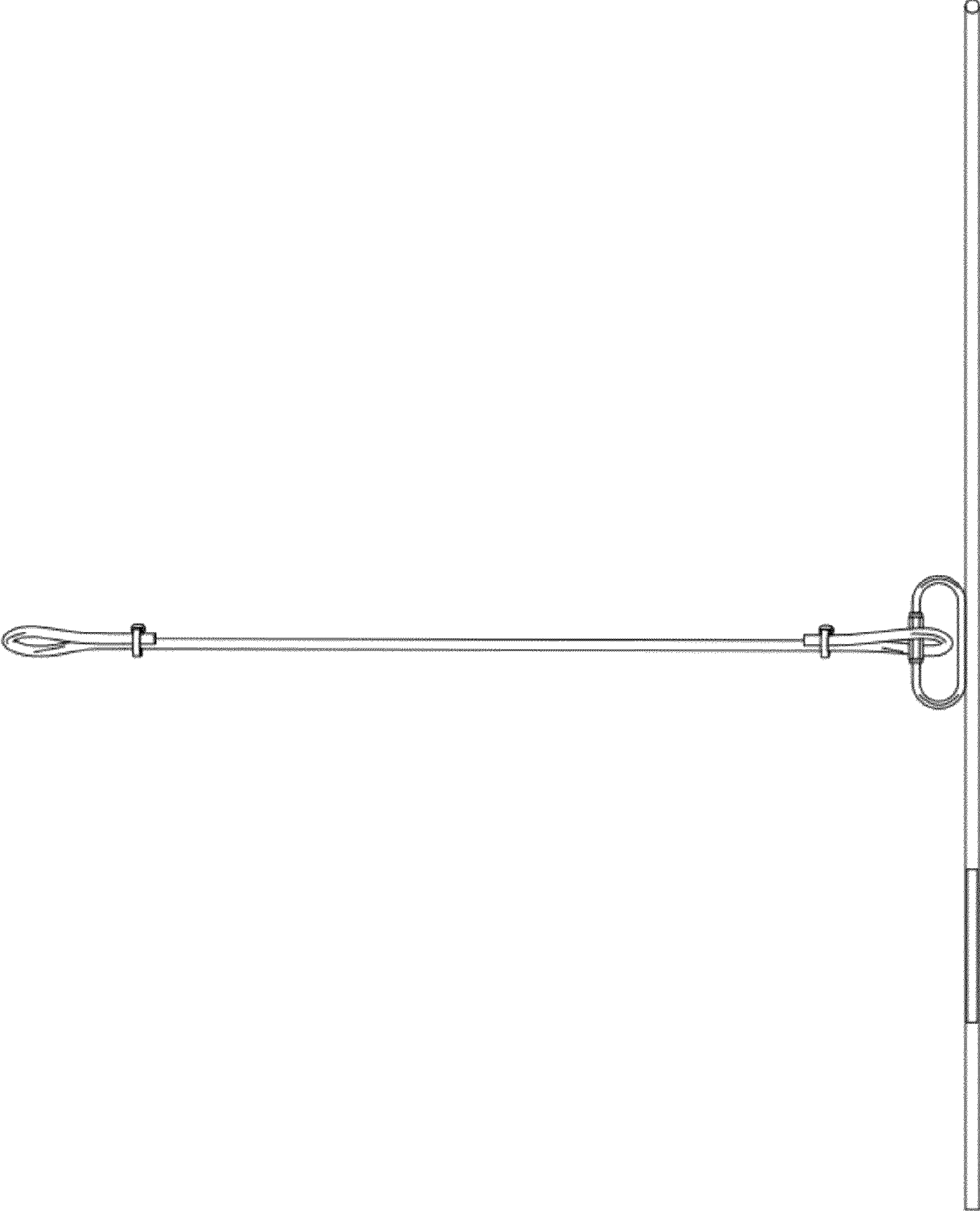


FIG. 4

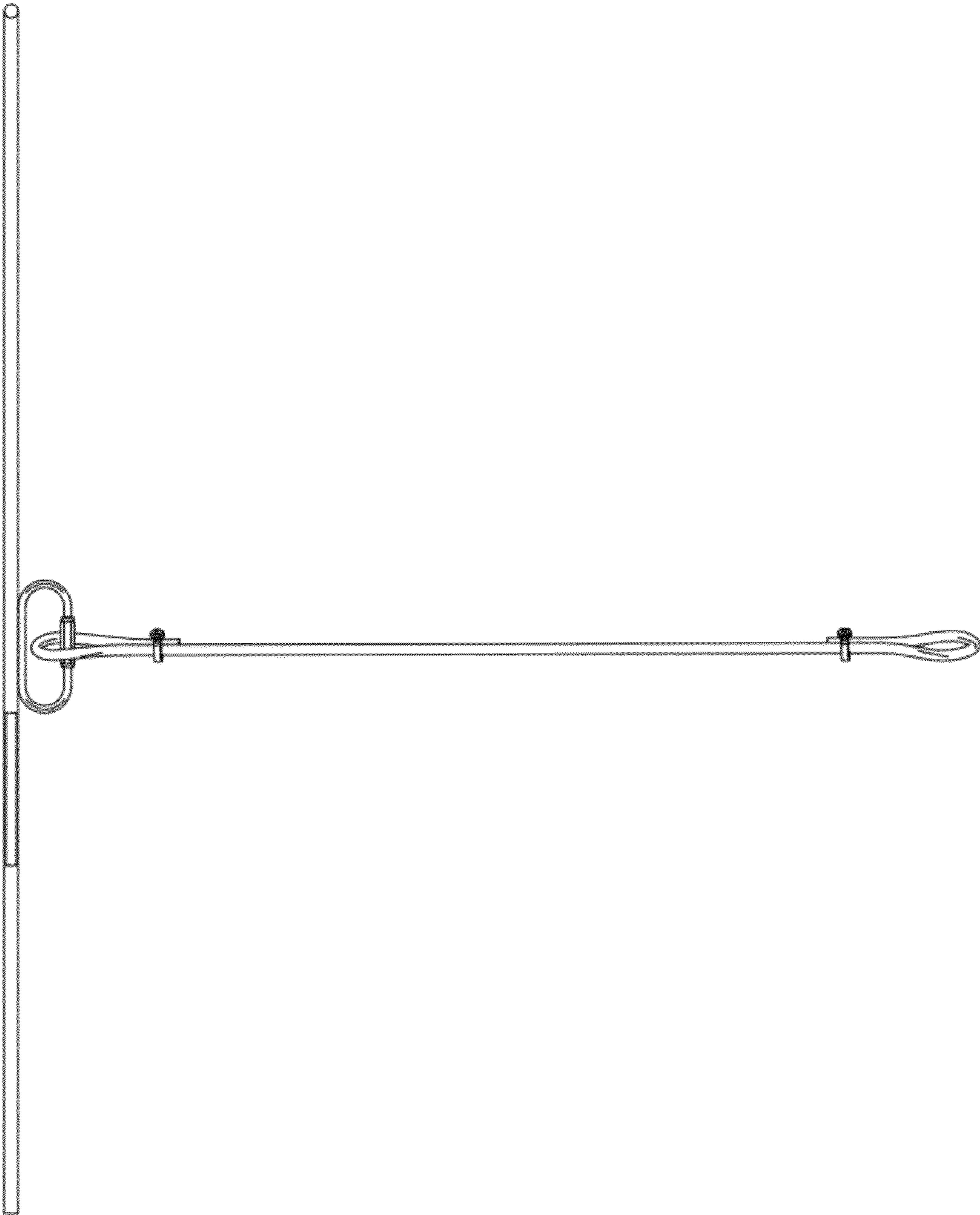


FIG. 5

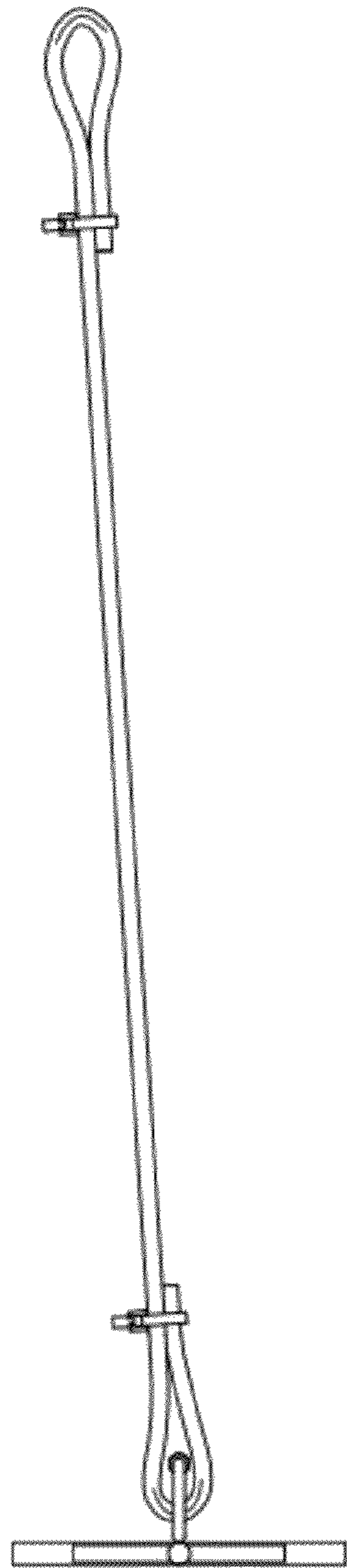


FIG. 6

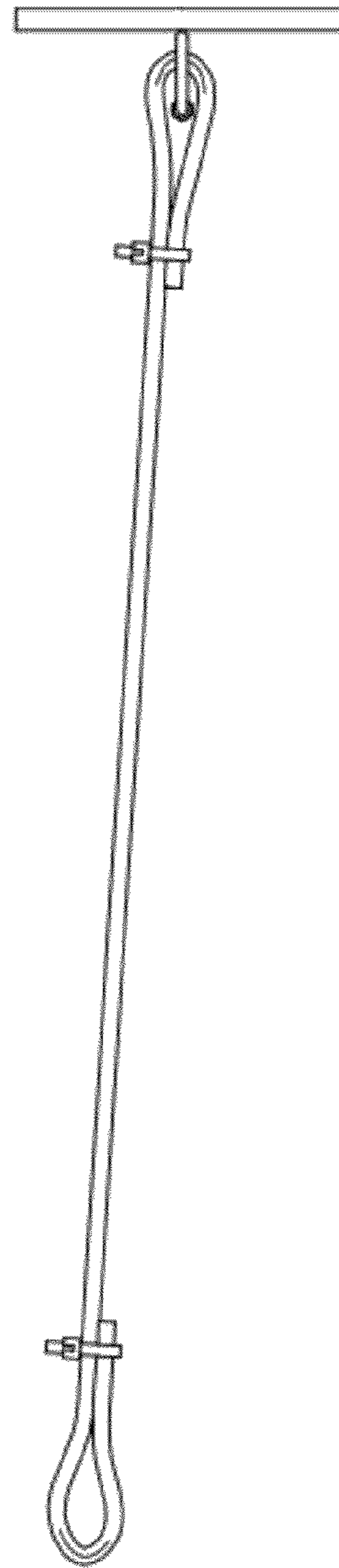


FIG. 7

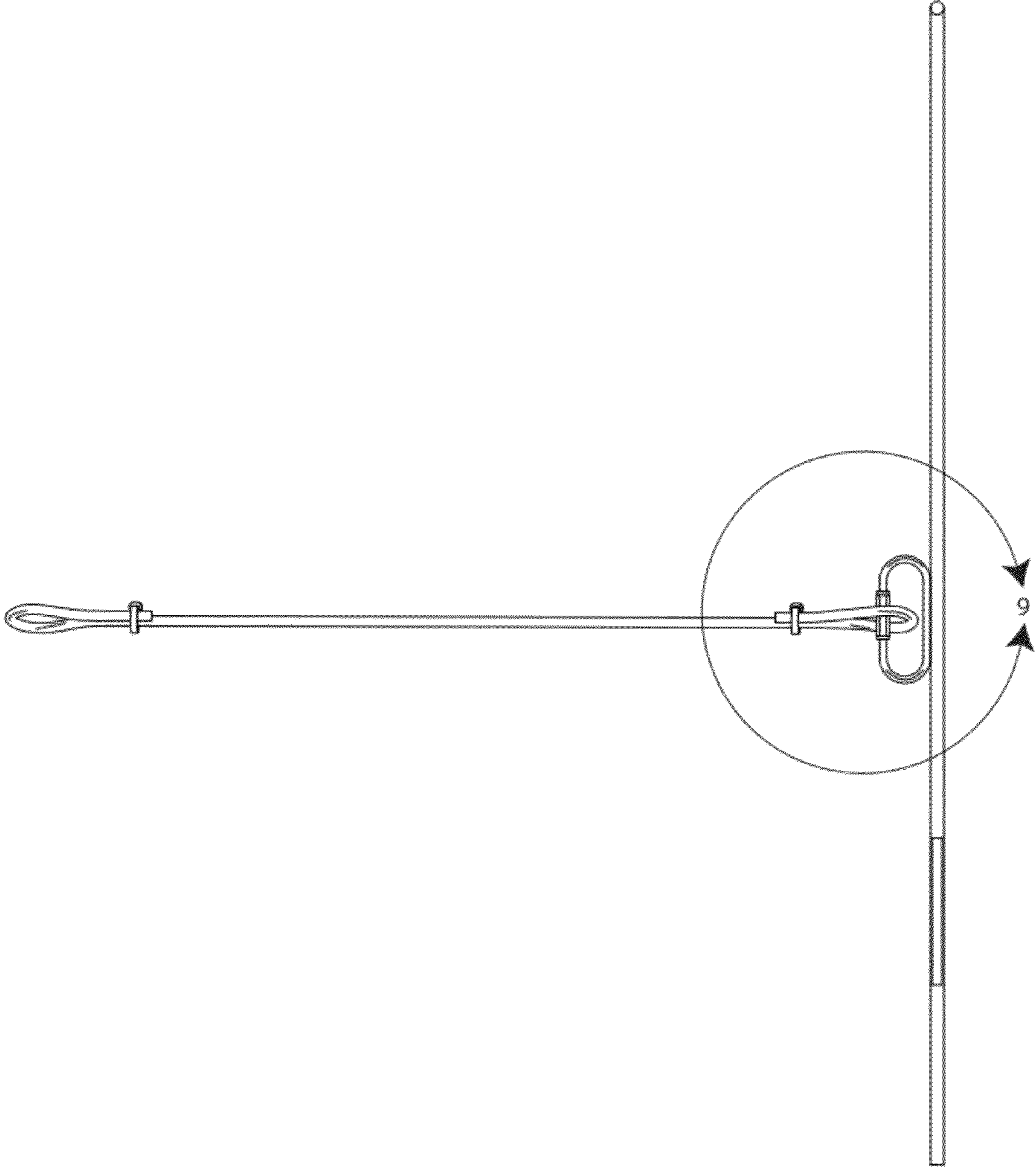


FIG. 8

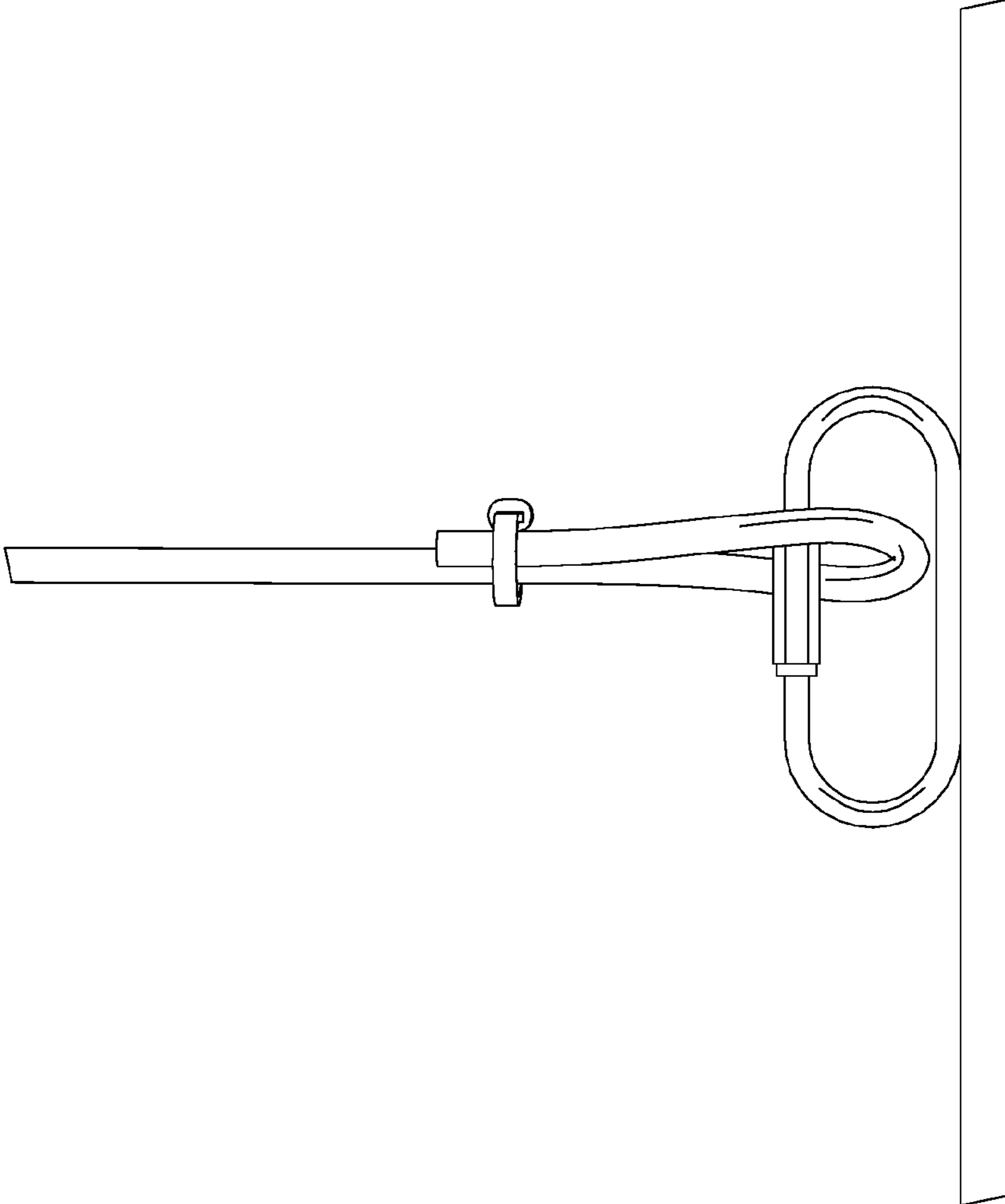


FIG. 9

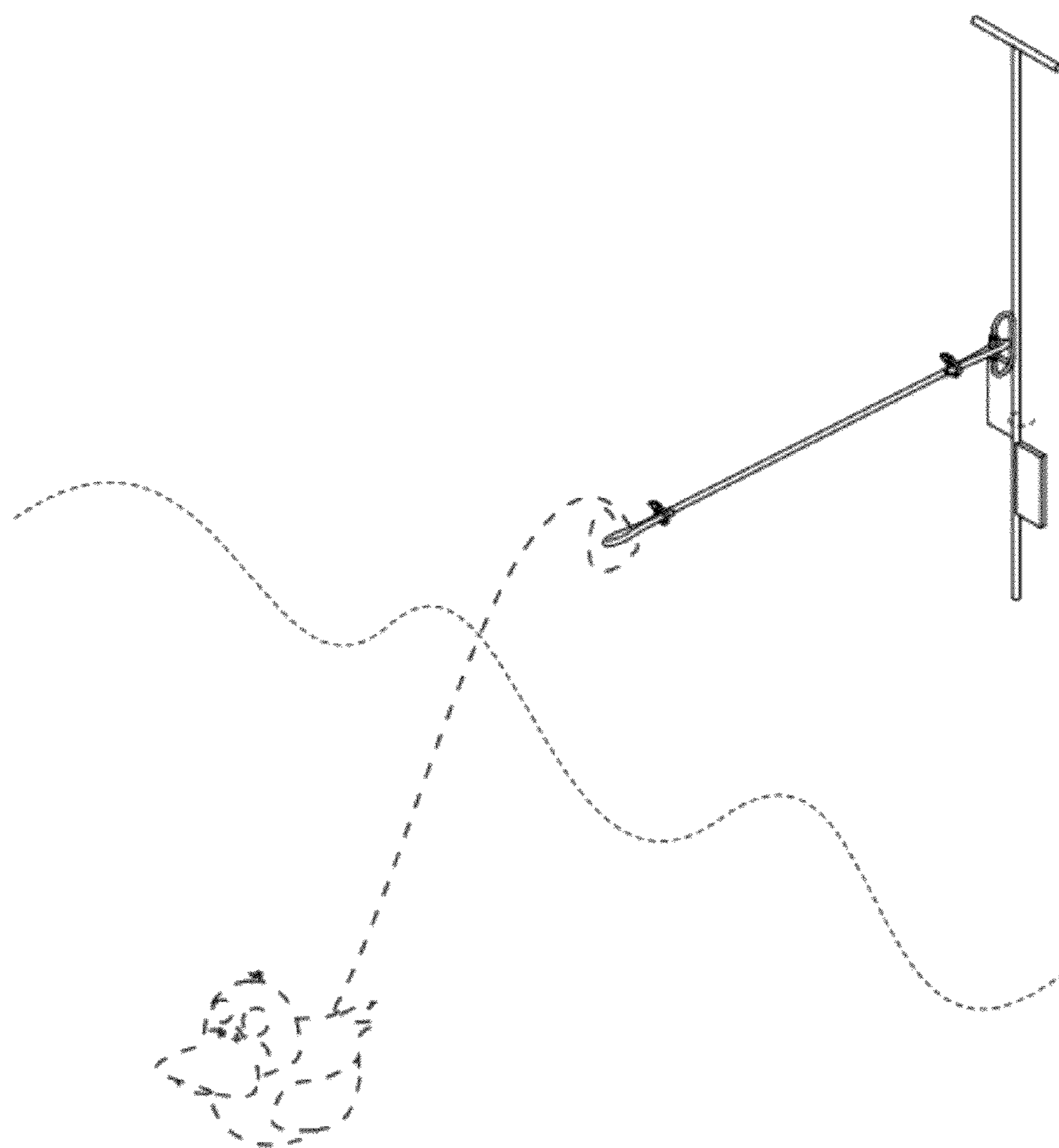


FIG. 10