

US00D667526S

(12) **United States Design Patent**
Covington

(10) **Patent No.:** **US D667,526 S**
(45) **Date of Patent:** **** Sep. 18, 2012**

- (54) **BAIT STATION**
 - (76) Inventor: **Larry Covington**, Weatherford, TX (US)
 - (**) Term: **14 Years**
 - (21) Appl. No.: **29/355,594**
 - (22) Filed: **Feb. 10, 2010**
 - (51) **LOC (9) Cl.** **22-06**
 - (52) **U.S. Cl.** **D22/119**
 - (58) **Field of Classification Search** D22/119-124;
43/58, 60-61, 68, 76, 81, 112-114, 124,
43/131, 132.1
- See application file for complete search history.

(56) **References Cited**

U.S. PATENT DOCUMENTS

759,030 A 5/1904 Sheaffer 43/131
(Continued)

FOREIGN PATENT DOCUMENTS

EP 0 442 190 8/1991
(Continued)

OTHER PUBLICATIONS

“Protecta Mouse Bait Station Features,” RTU Mouse Bait Stations,
<http://www.rodentcontrols.com/mouse-bait-stations-rtu.htm>, pub-
lished Jun. 2004.

(Continued)

Primary Examiner — Catheri Oliver

(74) *Attorney, Agent, or Firm* — Fulbright & Jaworski L.L.P.

(57) **CLAIM**

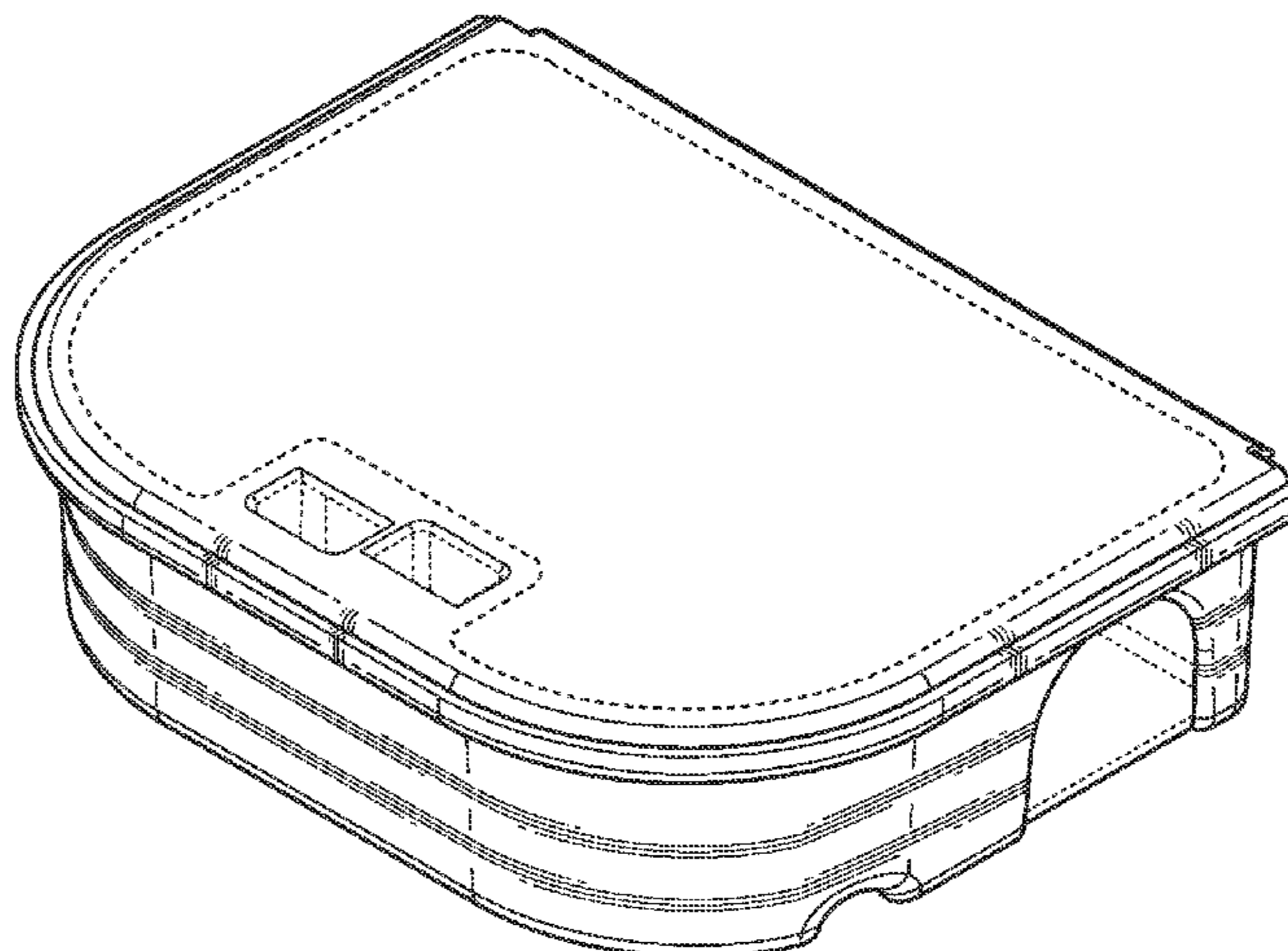
The ornamental design for a bait station, as shown and described.

DESCRIPTION

FIG. 1 is a perspective view of a first embodiment of my design;
FIG. 2 is a top view of the first embodiment of my design;
FIG. 3 is a front view of the first embodiment of my design;

FIG. 4 is a rear view of the first embodiment of my design;
FIG. 5 is a right side view of the first embodiment of my design;
FIG. 6 is a left side view of the first embodiment of my design;
FIG. 7 is a perspective view of a second embodiment of my design, the only difference from the first embodiment being that the environmental border shown in broken lines in FIGS. 1 and 2 has been expanded to encompass the two openings, which are shown in dashed lines;
FIG. 8 is a top view of the second embodiment of my design, the only difference from the first embodiment being that the environmental border shown in broken lines in FIGS. 1 and 2 has been expanded to encompass the two openings, which are shown in dashed lines;
FIG. 9 is a perspective view of a third embodiment of my design, the only difference from the first embodiment being that the shape of the lid is shown in broken lines;
FIG. 10 is a top view of the third embodiment of my design, the only difference from the first embodiment being that the shape of the lid is shown in broken lines;
FIG. 11 is a front view of the third embodiment of my design, the only difference from the first embodiment being that the shape of the lid is shown in broken lines;
FIG. 12 is a rear view of the third embodiment of my design, the only difference from the first embodiment being that the shape of the lid is shown in broken lines;
FIG. 13 is a right side view of the third embodiment of my design, the only difference from the first embodiment being that the shape of the lid is shown in broken lines; and,
FIG. 14 is a left side view of the third embodiment of my design, the only difference from the first embodiment being that the shape of the lid is shown in broken lines.
The broken lines on the lid of the first and second embodiments of my design represent environmental borders that form no part of the claimed design. Surface indicia forming no part of the claimed design, such as logos or text, may be placed within the unclaimed environmental borders. The other broken lines shown in the figures illustrate environmental structure only, and form no part of the claimed design. The bottom surface of my design, and all other surfaces of my design not shown in the figures or otherwise described in the specification, form no part of the claimed design.

1 Claim, 5 Drawing Sheets



US D667,526 S

U.S. PATENT DOCUMENTS									
794,323	A	7/1905	Small	43/131	4,753,032	A	6/1988	Sherman	43/131
RE14,782	E	12/1919	Hedrich et al.	43/131	4,765,579	A	8/1988	Robbins, III et al.	248/101
1,443,287	A	1/1923	Snyder at al.	43/131	4,815,231	A	3/1989	McQueen	43/114
1,729,389	A	9/1929	Hughett	43/131	4,825,581	A	5/1989	Dailey	43/131
1,744,022	A	4/1930	Davis	43/131	4,830,791	A	5/1989	Muderlak et al.	422/116
1,855,201	A	4/1932	Robbins	369/155	4,831,775	A	5/1989	Sherman	43/131
2,201,784	A	5/1940	Myers	239/41	4,833,819	A	5/1989	Sherman	43/131
2,242,099	A	5/1941	Wittwer et al.	43/131	4,835,902	A	6/1989	Sherman	43/131
2,451,578	A	10/1948	Rosefield	43/131	4,840,770	A	6/1989	Walz et al.	422/49
2,456,324	A	12/1948	Roessner	43/131	4,857,240	A	8/1989	Kearnes et al.	261/26
2,480,724	A	8/1949	Feussner	43/131	4,865,816	A	9/1989	Walz et al.	422/123
2,532,681	A	12/1950	Stover	43/131	4,866,877	A	9/1989	Barak	43/121
2,556,608	A	6/1951	Will	239/47	4,870,780	A	10/1989	Sherman	43/131
2,568,168	A	9/1951	Query	43/131	4,872,582	A	10/1989	Sipple	220/1 T
2,569,833	A	10/1951	Simpson	43/100	4,874,103	A	10/1989	Quisenberry et al.	220/1 T
2,608,022	A	8/1952	Wright	43/112	4,905,407	A	3/1990	Sherman	43/131
2,608,396	A	8/1952	Shapiro	261/97	4,931,258	A	6/1990	Zlotnik et al.	422/124
2,736,127	A	2/1956	McCann	43/131	4,938,144	A	7/1990	Demarest	102/334
2,750,707	A	6/1956	Ekstedt	43/131	5,014,943	A	5/1991	Nelson et al.	248/99
2,825,996	A	3/1958	Grant	43/131	5,038,516	A	8/1991	Doucette	43/131
2,837,861	A	6/1958	Graham	43/131	5,040,327	A	8/1991	Stack et al.	43/131
2,893,160	A	7/1959	Grant	43/131	5,042,194	A	8/1991	Cohen	43/131
2,942,786	A	6/1960	Wenner et al.	239/35	5,105,990	A	4/1992	Leith	222/156
2,950,562	A	8/1960	Lothrop	43/102	5,126,078	A	6/1992	Steiner et al.	261/26
2,953,868	A	9/1960	Chambers	43/131	5,131,184	A	7/1992	Harrison	43/100
3,017,717	A	1/1962	Caubre	43/131	5,136,803	A	8/1992	Sykes et al.	43/131
3,108,391	A	10/1963	Sipos	43/113	5,183,182	A	2/1993	Comstock et al.	222/129
3,125,407	A	3/1964	Kagan	422/123	5,184,836	A	2/1993	Andrews, Jr. et al.	280/79.5
3,303,600	A	2/1967	Freeman	43/131	5,223,182	A	6/1993	Steiner et al.	261/26
3,343,744	A	9/1967	Morell et al.	229/149	5,237,774	A	8/1993	Warner	43/131
3,427,743	A	2/1969	Brunner et al.	43/131	5,271,560	A	12/1993	De Winter	239/42
3,471,114	A	10/1969	Ball	248/346.03	5,272,832	A	12/1993	Marshall et al.	43/131
3,488,879	A	1/1970	Laughlin	43/131	5,368,200	A	11/1994	De Winter	222/153.09
3,540,630	A	11/1970	Brown et al.	222/153.03	D354,690	S	1/1995	Butler et al.	D10/46
3,575,346	A	4/1971	Roth et al.	239/57	5,379,545	A	1/1995	Gall	43/124
3,704,539	A	12/1972	Alvarez	43/131	5,413,251	A	5/1995	Adamson	222/129
3,708,905	A	1/1973	Jalbert	43/100	D362,045	S *	9/1995	Demarest	D22/119
3,738,621	A	6/1973	Anderson	261/29	5,448,852	A	9/1995	Spragins et al.	43/131
D227,563	S	7/1973	Torchia	D22/19	5,452,825	A	9/1995	Comstock et al.	222/135
3,821,861	A	7/1974	Jalbert	43/65	5,513,465	A	5/1996	Demarest et al.	43/113
3,826,036	A	7/1974	Neugebauer	43/131	5,517,783	A	5/1996	Edgar	43/57.1
3,828,464	A	8/1974	Peace	43/131	5,549,214	A	8/1996	Harris	220/339
3,978,607	A	9/1976	Piere	43/131	D374,704	S	10/1996	Rimback	D22/122
3,992,804	A	11/1976	Senese	43/100	5,628,143	A	5/1997	Doucette	43/124
3,995,595	A	12/1976	Williams	119/61.53	D385,611	S *	10/1997	Prince et al.	D22/119
4,030,230	A	6/1977	Souza	43/81	5,713,153	A	2/1998	Cook et al.	43/114
4,065,872	A	1/1978	Patton et al.	43/131	5,713,492	A	2/1998	DeGennaro	222/153.03
4,166,087	A	8/1979	Cline et al.	261/96	5,791,525	A	8/1998	Fan	222/181.3
4,182,070	A	1/1980	Connelly	43/131	5,806,237	A *	9/1998	Nelson et al.	43/131
4,194,690	A	3/1980	Stever et al.	239/57	5,839,220	A	11/1998	Wass	43/105
4,208,829	A	6/1980	Manning	43/131	5,873,193	A	2/1999	Jensen	43/131
4,228,613	A	10/1980	Kalnasy et al.	43/131	5,897,018	A	4/1999	Pruitt	220/603
4,270,299	A	6/1981	Long	43/58	5,937,571	A	8/1999	Megargle et al.	43/131
4,277,907	A	7/1981	Ernest	43/131	5,953,853	A	9/1999	Kim	43/98
4,294,778	A	10/1981	DeLuca	261/30	5,966,863	A	10/1999	Payton et al.	43/131
4,396,557	A	8/1983	DeLuca	261/30	5,987,811	A	11/1999	Wiesener et al.	43/131
4,398,643	A	8/1983	Conlon	248/500	6,014,834	A	1/2000	Ferland	43/131
4,400,904	A	8/1983	Baker	43/131	6,041,542	A	3/2000	Payton et al.	43/131
4,407,427	A	10/1983	Reuter	220/339	6,058,646	A	5/2000	Bishoff et al.	43/131
D271,231	S	11/1983	Stout	D22/122	6,082,042	A	7/2000	Issitt	43/131
4,418,493	A	12/1983	Jordan	43/67	6,082,586	A	7/2000	Banks	222/95
4,438,606	A	3/1984	Chardon et al.	52/79.1	6,131,773	A	10/2000	Wade et al.	222/153.02
4,452,500	A	6/1984	Zlotnik	312/236	6,155,002	A	12/2000	Holder	43/115
4,453,337	A	6/1984	Williams	43/131	6,158,166	A	12/2000	Snell et al.	43/131
4,485,582	A	12/1984	Morris	43/131	6,219,960	B1	4/2001	Contadini et al.	43/121
4,486,973	A	12/1984	Faucillon	43/100	6,234,339	B1	5/2001	Thomas	220/495.07
4,521,987	A	6/1985	Knote	43/131	6,244,518	B1	6/2001	Pogue	239/36
4,541,198	A	9/1985	Sherman	43/131	6,247,592	B1	6/2001	Racicot et al.	206/366
4,550,525	A	11/1985	Baker et al.	43/131	6,305,122	B1	10/2001	Iwao et al.	43/112
4,570,377	A	2/1986	Primavera	43/131	6,325,245	B1	12/2001	Matthews	222/52
4,619,071	A	10/1986	Willis	43/131	6,370,813	B1	4/2002	Nelson et al.	43/131
4,621,749	A	11/1986	Kanfer	222/153.01	6,397,517	B1	6/2002	Leyerle et al.	43/131
4,637,162	A	1/1987	Sherman	43/131	6,401,384	B1	6/2002	Contadini et al.	43/132.1
4,648,201	A	3/1987	Sherman	43/131	6,470,622	B1	10/2002	Braun	43/131
4,660,320	A	4/1987	Baker et al.	43/131	6,474,015	B1	11/2002	Lund et al.	43/124
4,730,411	A	3/1988	Katis	43/105	6,474,016	B2	11/2002	Snell et al.	43/131
4,730,412	A	3/1988	Sherman	43/131	6,493,988	B1	12/2002	Johnson	43/131
4,743,406	A	5/1988	Steiner et al.	261/30	6,508,377	B1	1/2003	Griswold et al.	220/495.06
					6,513,283	B1	2/2003	Crossen	43/131

6,530,172	B2	3/2003	Lenz	43/112
6,571,509	B2	6/2003	Frasier	43/131
6,618,983	B1	9/2003	Spragins	43/107
6,619,509	B2	9/2003	DeKoning et al.	222/183
6,637,717	B2	10/2003	Li	248/519
6,644,493	B1	11/2003	Walton et al.	220/603
6,651,378	B2	11/2003	Baker	43/131
6,671,999	B1	1/2004	Doucette	43/131
6,672,000	B2	1/2004	Aesch, Jr.	43/132.1
D486,203	S	2/2004	Stephen	D22/122
6,718,687	B2	4/2004	Robison	43/114
6,722,080	B2	4/2004	Carter	43/107
6,729,067	B2	5/2004	Lund et al.	43/131
6,729,503	B2	5/2004	DeKoning et al.	222/183
6,786,349	B2	9/2004	Najd	220/484
6,789,351	B2	9/2004	Chrestman	43/122
6,792,713	B2	9/2004	Snell	43/124
6,807,768	B2	10/2004	Johnson et al.	43/131
D498,286	S	11/2004	Loerakker et al.	D22/122
6,860,062	B2	3/2005	Spragins	43/121
6,869,058	B2	3/2005	Tung	248/346.01
6,874,273	B1	4/2005	Weisenburg, III	43/112
6,874,274	B2	4/2005	Townsend	43/131
6,901,694	B1	6/2005	Neault et al.	43/131
6,910,300	B1	6/2005	Warren	43/131
7,028,861	B2	4/2006	Sayers et al.	222/1
7,089,702	B2	8/2006	McAllister	43/131
D529,571	S *	10/2006	Hoyes	D22/119
7,165,354	B1	1/2007	Rickenbacker	43/131
7,377,072	B2	5/2008	Meier et al.	43/131
7,458,183	B2	12/2008	Meier et al.	43/122
7,611,030	B2	11/2009	Reynolds et al.	222/1
7,647,723	B2	1/2010	Klein et al.	248/469
D617,864	S *	6/2010	Cink et al.	D22/119
7,735,258	B2	6/2010	Vickery et al.	43/131
2002/0043018	A1	4/2002	Townsend	43/131
2002/0069579	A1	6/2002	Hyatt et al.	43/131
2003/0038141	A1	2/2003	Landsberger	220/603
2003/0116569	A1	6/2003	Mercier	206/438
2004/0195250	A1	10/2004	Fripps	220/603
2004/0244274	A1	12/2004	Dellevigne et al.	43/131
2005/0017148	A1	1/2005	Tung	248/346.01
2005/0028431	A1	2/2005	Hoyes et al.	43/131
2005/0097808	A1	5/2005	Vorhies et al.	43/61
2005/0102887	A1	5/2005	Lang et al.	43/64
2005/0132637	A1	6/2005	Deakins	43/131
2005/0235553	A1	10/2005	Rail	43/58
2007/0068068	A1	3/2007	Weiss et al.	43/132.1
2007/0124987	A1	6/2007	Brown et al.	43/113
2008/0035675	A1	2/2008	Norman	222/181.3
2008/0072475	A1	3/2008	Nelson et al.	3/31
2008/0163541	A1	7/2008	Harris	43/120
2008/0302000	A1	12/2008	Kidder	43/131
2009/0056199	A1	3/2009	Reed	43/131
2009/0139133	A1	6/2009	Harper	43/131
2009/0307963	A1	12/2009	Abbas	43/131
2010/0031557	A1	2/2010	Vickery et al.	43/131

FOREIGN PATENT DOCUMENTS

EP	1 057 958	12/2000
FR	2 268 464	12/1975
FR	2 331 281	7/1977
FR	2 398 454	3/1979
GB	2 139 468	11/1984
GB	2 249 249	5/1992
GB	2 269 306	2/1994
GB	2 382 515	6/2003
GB	2 384 966	8/2003
JP	2003-125691	5/1993
JP	6-245679	9/1994
JP	7-274795	10/1995
JP	9-313083	12/1997

JP	2002-320437	11/2002
JP	2002-330686	11/2002
WO	WO 99/03340	1/1999
WO	WO 02/13604	2/2002
WO	WO 02/102147	12/2002
WO	WO 03/009683	2/2003
WO	WO 2005/006857	1/2005
WO	WO 2006/045122	4/2006

OTHER PUBLICATIONS

Notice of Allowance, issued in U.S. Appl. No. 10/550,378, mailed Mar. 16, 2010.

Notice of Allowance, issued in U.S. Appl. No. 12/186,436, mailed Sep. 15, 2010.

Notice to Manufacturers, Formulators Registrants and Users of Pesticides, United States Environmental Protection Agency, Washington D.C., Sep. 16, 1994.

Office Action, issued in U.S. Appl. No. 10/550,378, mailed Aug. 21, 2007.

Response to Office Action, issued in U.S. Appl. No. 10/550,378, dated Oct. 25, 2007.

Office Action, issued in U.S. Appl. No. 10/550,378, mailed Dec. 28, 2007.

Response to Office Action, issued in U.S. Appl. No. 10/550,378, dated Jun. 27, 2008.

Office Action, issued in U.S. Appl. No. 10/550,378, mailed Sep. 19, 2008.

Response to Office Action, issued in U.S. Appl. No. 10/550,378, dated Dec. 9, 2008.

Office Action, issued in U.S. Appl. No. 10/550,378, mailed Feb. 18, 2009.

Response to Office Action, issued in U.S. Appl. No. 10/550,378, dated May 13, 2009.

Office Action, issued in U.S. Appl. No. 10/550,378, mailed Jul. 8, 2009.

Response to Office Action, issued in U.S. Appl. No. 10/550,378, dated Aug. 26, 2009.

Office Action, issued in U.S. Appl. No. 10/550,378, mailed Nov. 12, 2009.

Response to Office Action, issued in U.S. Appl. No. 10/550,378, dated Feb. 12, 2010.

Office Action, issued in U.S. Appl. No. 11/786,355, mailed Jul. 14, 2009.

Response to Office Action, issued in U.S. Appl. No. 11/786,355, dated Nov. 16, 2009.

Office Action, issued in U.S. Appl. No. 11/786,355, mailed Jan. 19, 2010.

Response to Office Action, issued in U.S. Appl. No. 11/786,355, dated May 24, 2010.

PCT International Search Report and Written Opinion, issued in International Application No. PCT/US2009/052868, mailed Apr. 28, 2010.

PCT International Search Report and Written Opinion, issued in International Application No. PCT/US2009/056246, mailed Jun. 25, 2010.

PCT Invitation to Pay Additional Fees, issued in International Application No. PCT/US2009/052868, mailed Mar. 4, 2010.

U.S. Appl. No. 12/816,300 entitled "Tamper Resistant Weighted Rodent and Insect Bait Station" by Ethan Vickery, filed Jun. 15, 2010.

U.S. Appl. No. 12/816,306 entitled "Tamper Resistant Weighted Rodent and Insect Bait Station" by Ethan Vickery, filed Jun. 15, 2010.

U.S. Appl. No. 12/816,315 entitled "Tamper Resistant Weighted Rodent and Insect Bait Station" by Ethan Vickery, filed Jun. 15, 2010.

Brochure showing rodent bait station designed by Ethan Vickery and on sale prior to—but not more than one year before—Feb. 10, 2010.

* cited by examiner

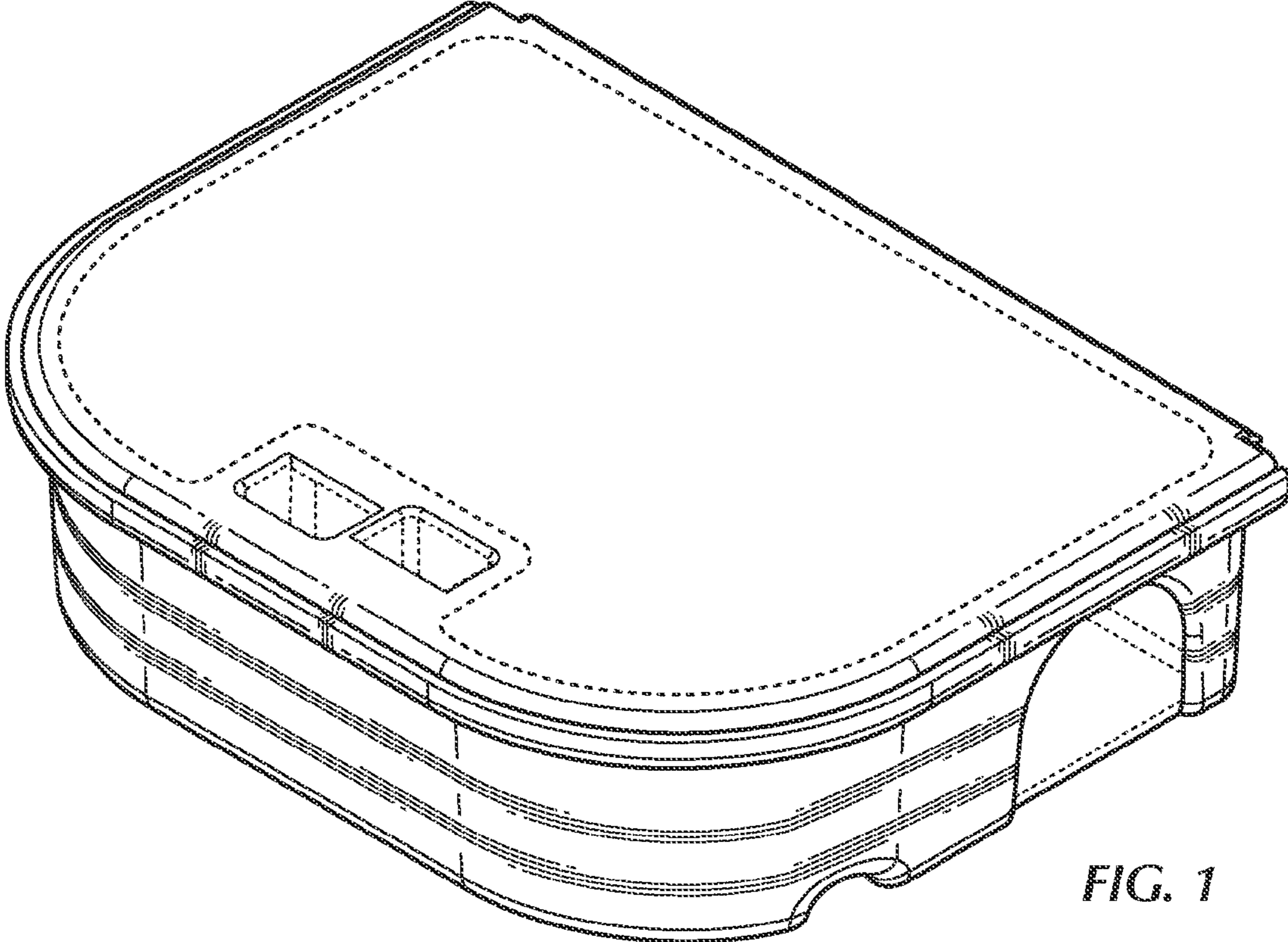


FIG. 1

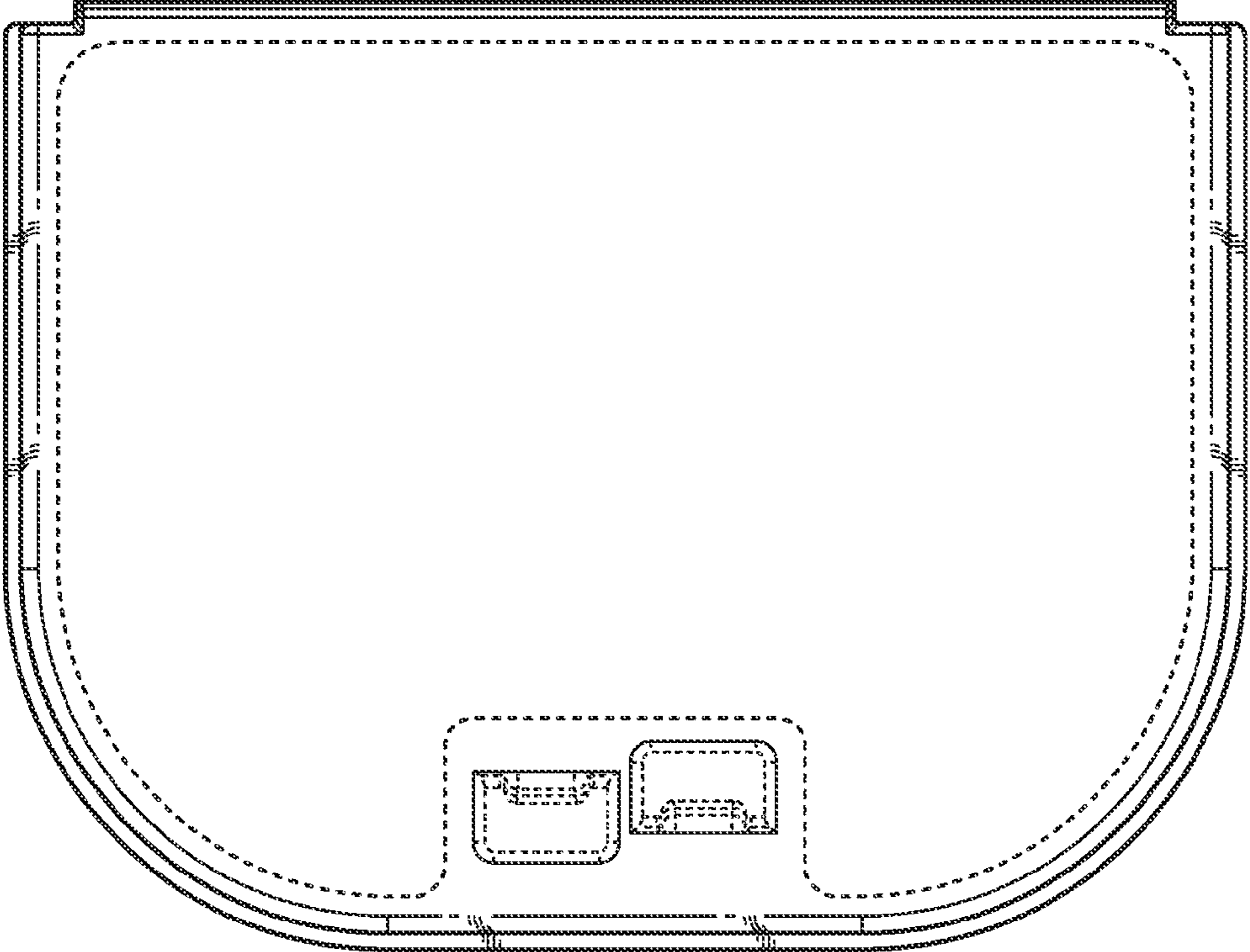


FIG. 2

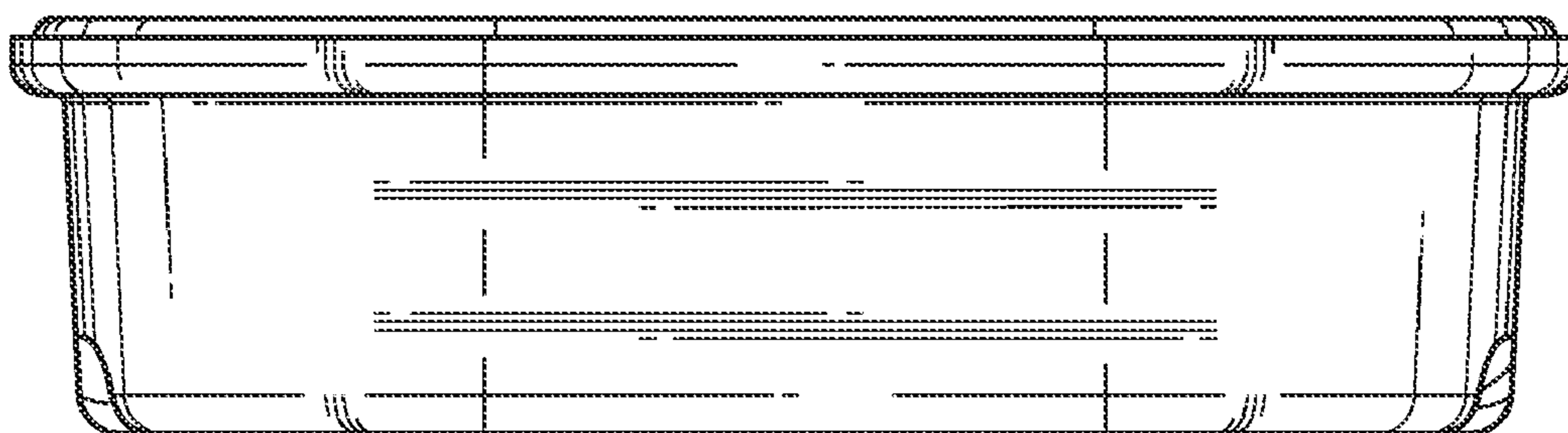


FIG. 3



FIG. 4

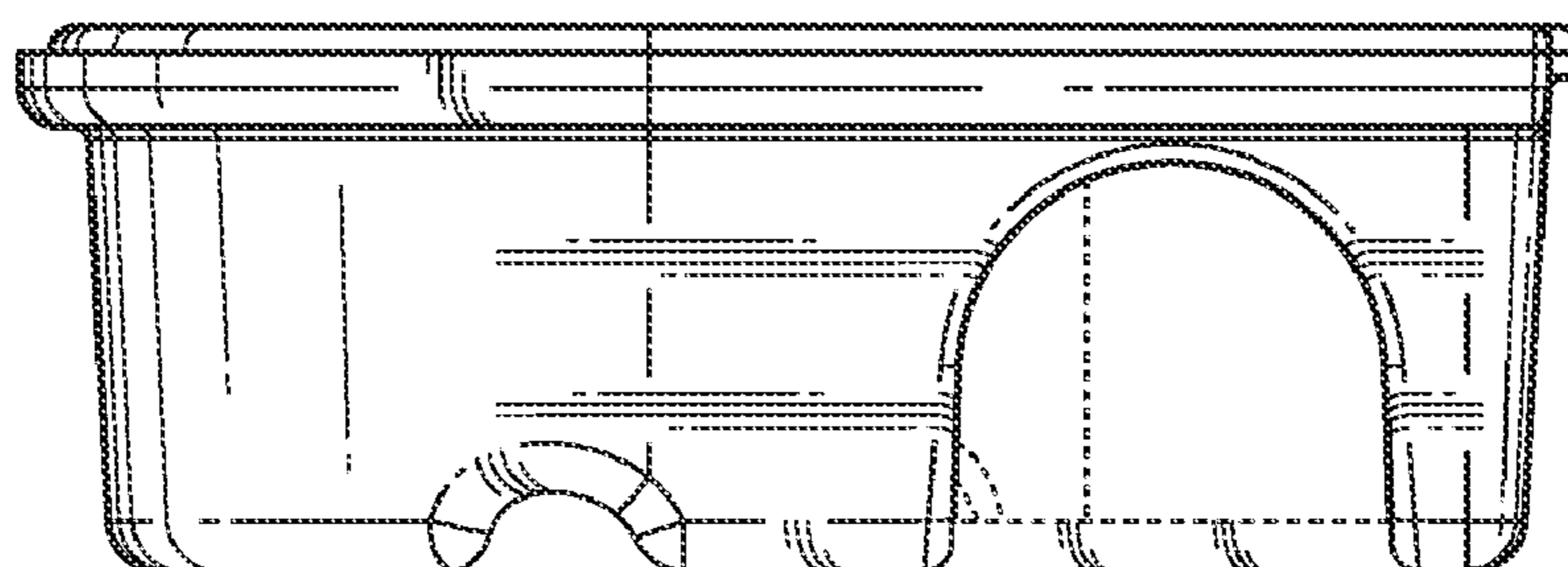


FIG. 5

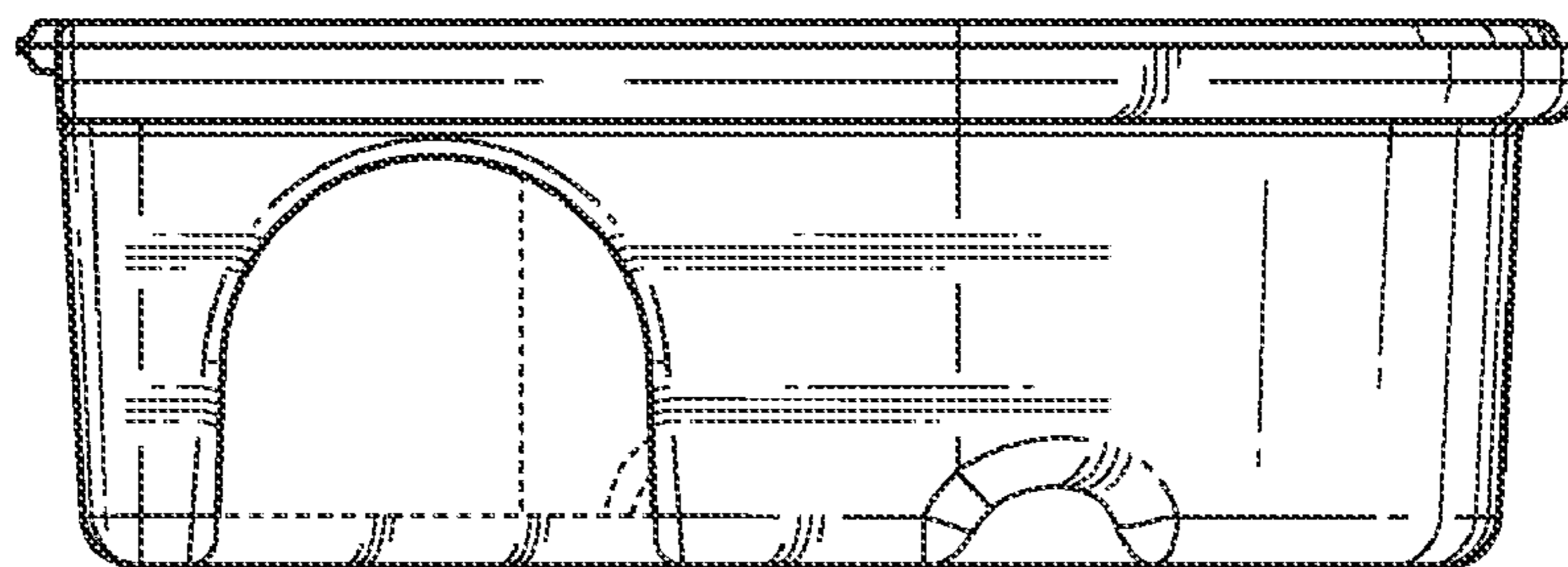


FIG. 6

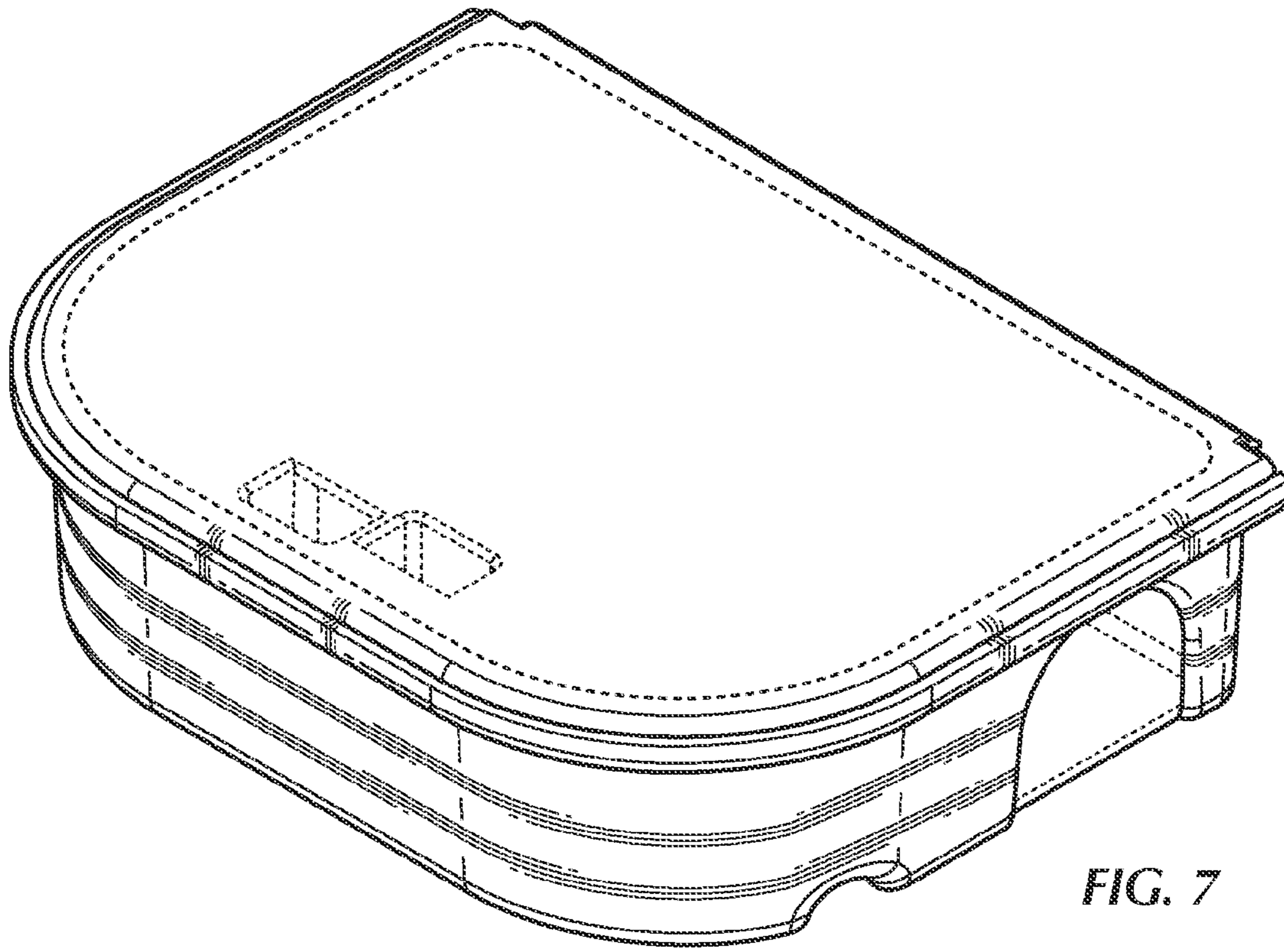


FIG. 7

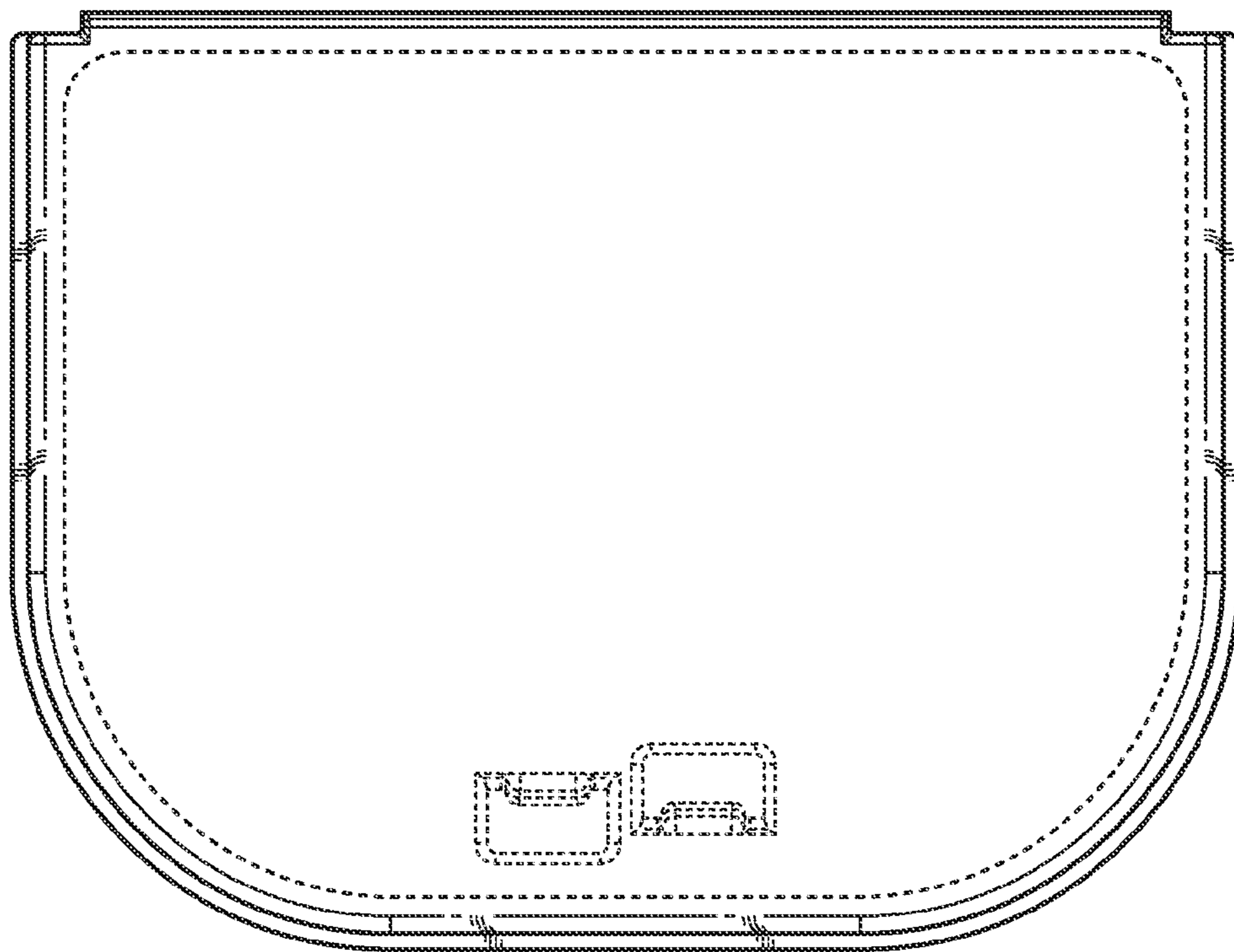


FIG. 8

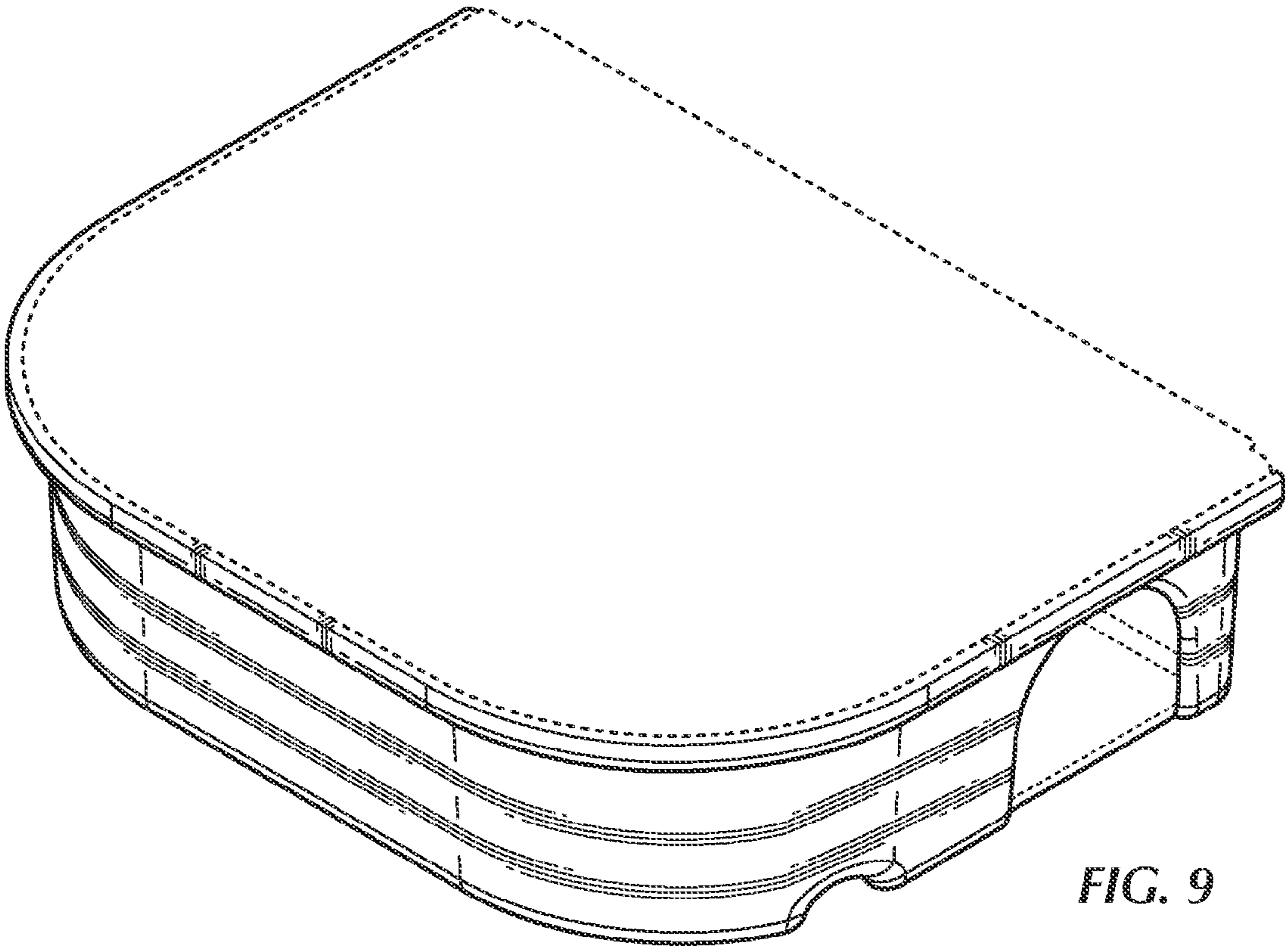


FIG. 9

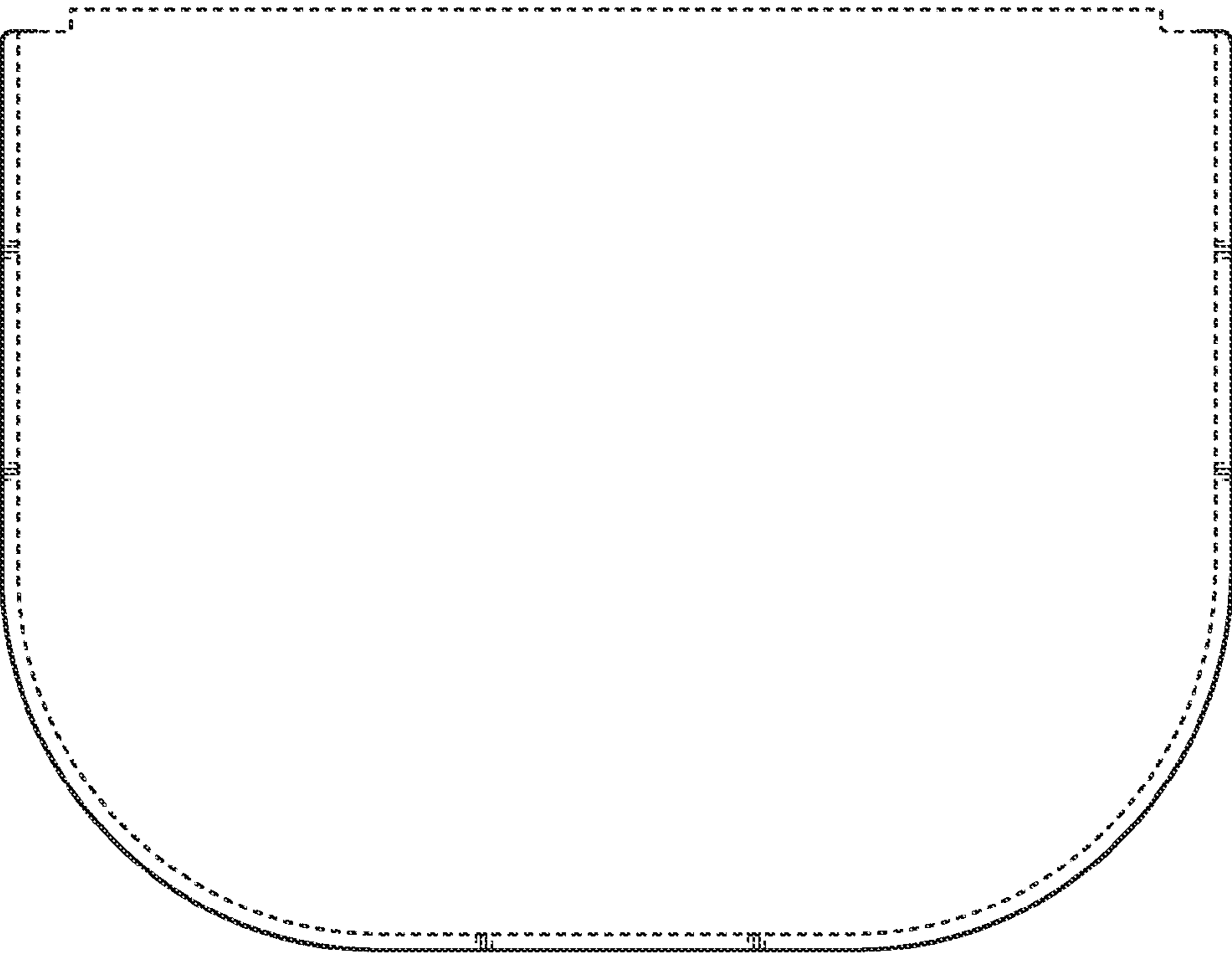


FIG. 10

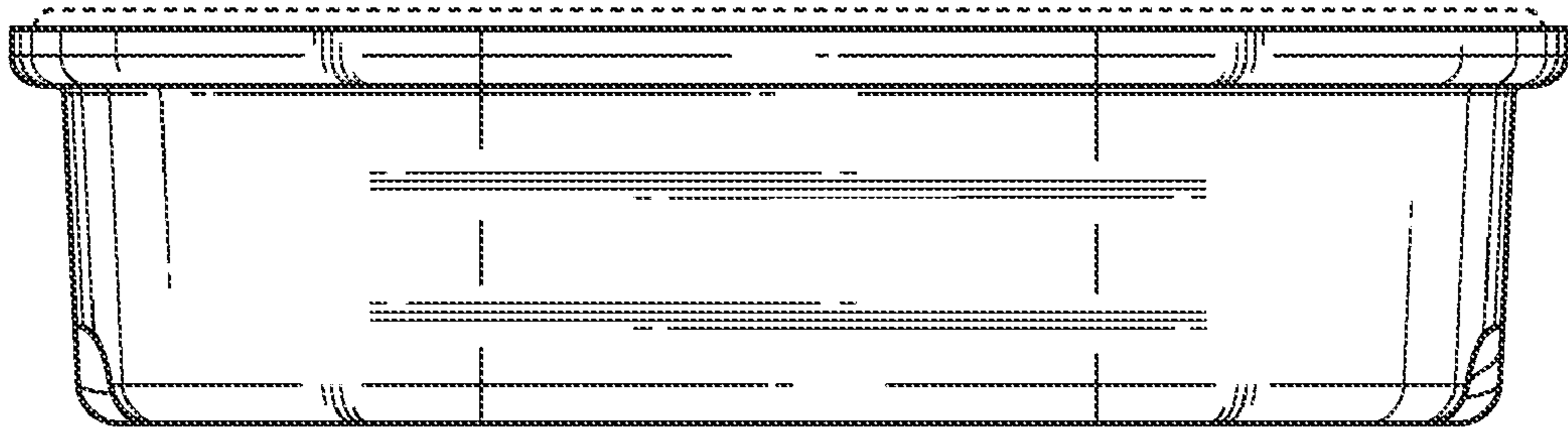


FIG. 11

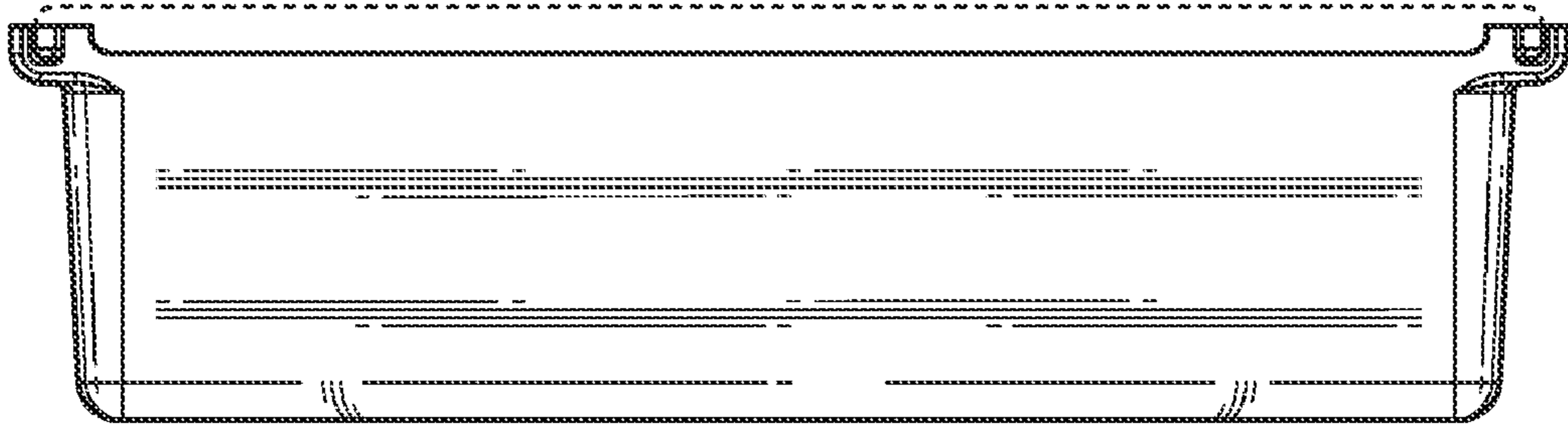


FIG. 12

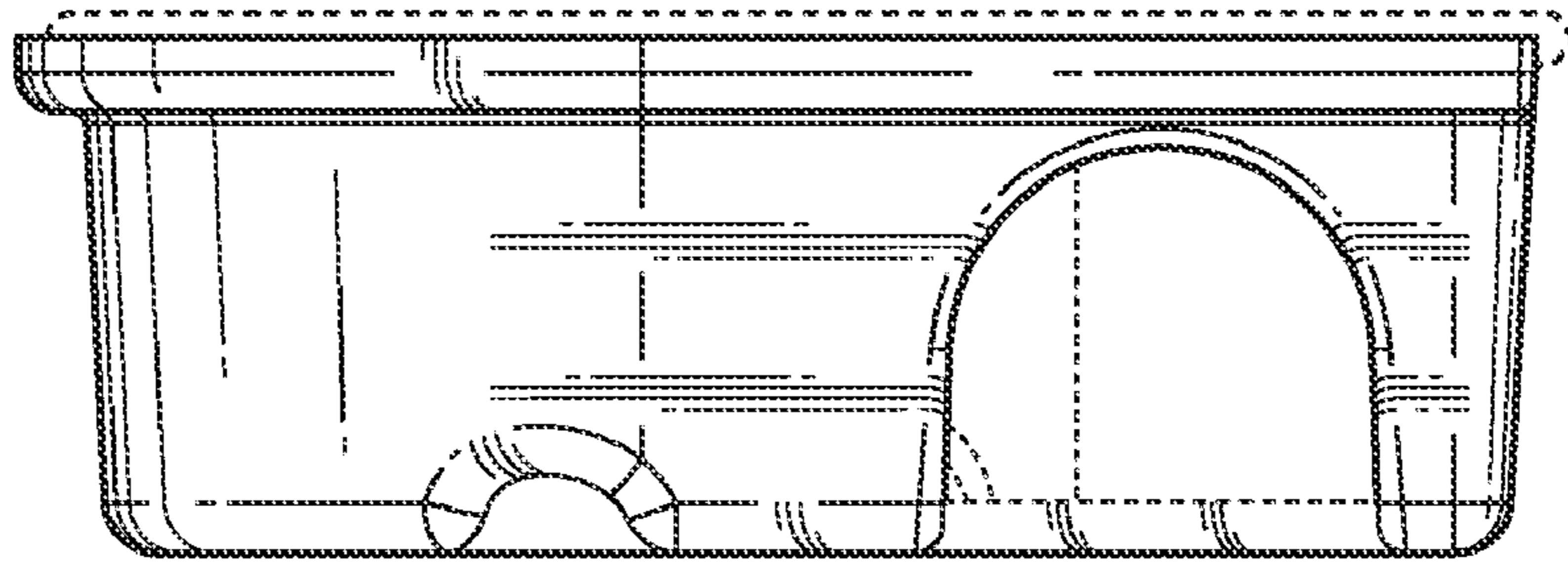


FIG. 13

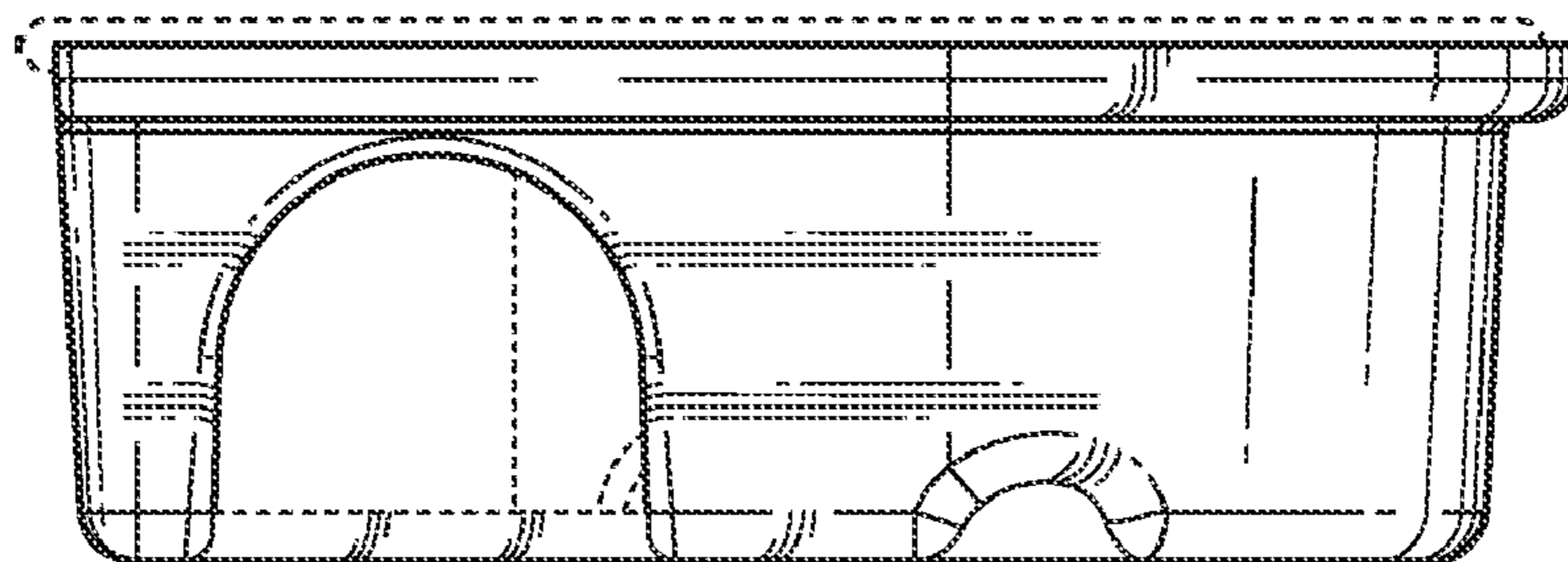


FIG. 14