

US00D667523S

(12) **United States Design Patent**  
**Glimpse et al.**

(10) **Patent No.:** **US D667,523 S**

(45) **Date of Patent:** **\*\* Sep. 18, 2012**

(54) **GUN SIGHT**

3,777,380 A 12/1973 Theodore  
3,916,530 A 11/1975 Tellie  
4,015,354 A 4/1977 Brouthers

(Continued)

(75) Inventors: **Bryan R. Glimpse**, Trenton, MI (US);  
**Robert W. Condra**, New Hudson, MI  
(US); **Joshua Lee Varner**, Commerce,  
MI (US); **Joseph R. Adkins**, Howell, MI  
(US)

FOREIGN PATENT DOCUMENTS

EP 470016 A1 2/1992

(Continued)

(73) Assignee: **Trijicon, Inc.**, Wixom, MI (US)

OTHER PUBLICATIONS

(\*\*) Term: **14 Years**

<http://web.archive.org/web/20060524161152/http://www.10-8performance.com/>; 10-8 Performance, Duty Ready 1911s; Hilton Yam; May 24, 2008; 2 Pages.

(21) Appl. No.: **29/414,221**

(Continued)

(22) Filed: **Feb. 27, 2012**

**Related U.S. Application Data**

(62) Division of application No. 29/380,965, filed on Dec. 14, 2010.

*Primary Examiner* — Michael A Pratt

(74) *Attorney, Agent, or Firm* — Harness, Dickey & Pierce, P.L.C.

(51) **LOC (9) Cl.** ..... **22-01**

(52) **U.S. Cl.** ..... **D22/109**

(58) **Field of Classification Search** ..... D22/108-110,  
D22/199; 89/111-133; 359/399, 823, 744;  
42/104, 105, 111-113, 116, 120, 124-126,  
42/127-129, 141-148, 133-140; 33/227,  
33/229

See application file for complete search history.

(57) **CLAIM**

The ornamental design for a gun sight, as shown and described.

**DESCRIPTION**

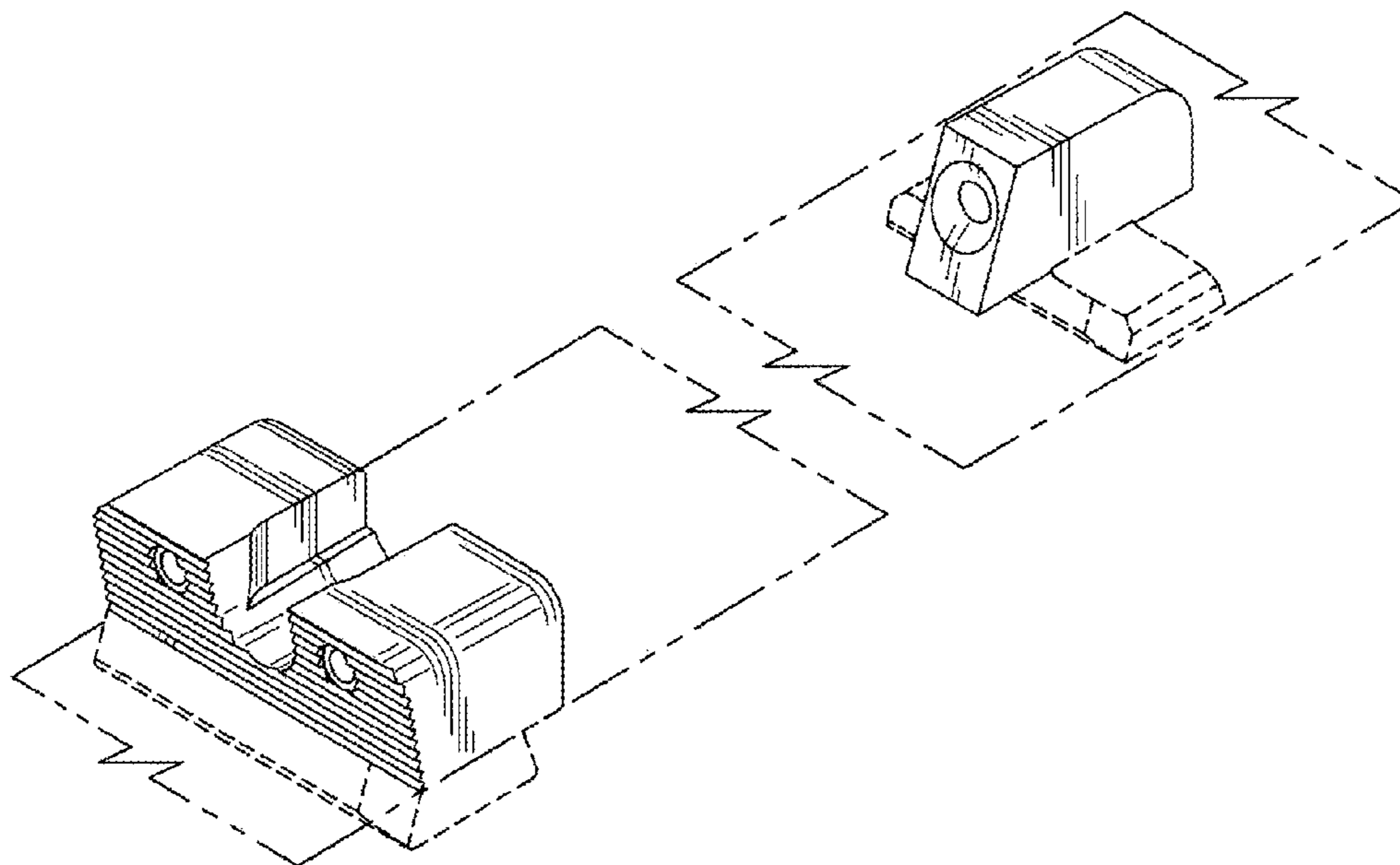
FIG. 1 is a front perspective view of a gun sight in accordance with the principles of the present disclosure; FIG. 2 is a bottom perspective view of the gun sight of FIG. 1; FIG. 3 is a rear perspective view of the gun sight of FIG. 1; FIG. 4 is a top view of the gun sight of FIG. 1; FIG. 5 is a side view of the gun sight of FIG. 1; FIG. 6 is a side view of the gun sight of FIG. 1; FIG. 7 is a rear view of the gun sight of FIG. 1; and, FIG. 8 is a front view of the gun sight of FIG. 1. The broken lines are for illustrative purposes only and form no part of the claimed invention.

(56) **References Cited**

U.S. PATENT DOCUMENTS

1,363,553 A 12/1920 Barringer  
1,922,302 A 8/1933 King  
3,184,851 A 5/1965 Simmons  
3,641,676 A 2/1972 Knutsen et al.  
3,698,091 A 10/1972 Merrill et al.  
3,700,339 A 10/1972 Steck, III

**1 Claim, 3 Drawing Sheets**



# US D667,523 S

## U.S. PATENT DOCUMENTS

D247,856	S	5/1978	Korzeniewski	
4,366,625	A	1/1983	Gehmann	
D273,217	S	3/1984	Swenson	
D296,227	S	6/1988	Novak	
D301,512	S	6/1989	Novak	
D305,146	S	12/1989	Novak	
D305,561	S	1/1990	Novak	
D315,776	S	3/1991	Novak	
5,065,519	A	11/1991	Bindon	
5,070,619	A	12/1991	Santiago	
D351,449	S	* 10/1994	Dagley .....	D22/109
D352,087	S	11/1994	Stevens et al.	
5,359,800	A	11/1994	Fisher et al.	
5,426,882	A	6/1995	Dornaus	
5,442,861	A	8/1995	Lorocco	
D363,334	S	10/1995	De Oliveira Masina	
5,471,777	A	12/1995	McDonald	
RE35,347	E	10/1996	Bindon	
5,638,604	A	6/1997	Lorocco	
D382,038	S	8/1997	Nigh	
D387,844	S	12/1997	Emerson	
5,735,070	A	4/1998	Vasquez et al.	
D399,291	S	10/1998	Emerson	
D399,292	S	10/1998	Emerson	
5,836,100	A	11/1998	Stover	
D403,734	S	1/1999	Kay	
5,862,618	A	1/1999	Brown	
D406,630	S	3/1999	Emerson	
5,878,503	A	3/1999	Howe et al.	
5,878,521	A	3/1999	Warnock	
5,887,352	A	3/1999	Kim	
5,956,854	A	9/1999	Lorocco	
5,965,854	A	10/1999	Umemura	
6,014,830	A	1/2000	Brown et al.	
6,016,608	A	1/2000	Lorocco	
6,035,539	A	3/2000	Hollenbach et al.	
6,058,615	A	5/2000	Uhlmann et al.	
6,058,616	A	5/2000	Bubits	
6,085,427	A	7/2000	Persson	
6,122,833	A	9/2000	Lorocco	
D432,618	S	* 10/2000	Wilson .....	D22/109
D435,625	S	12/2000	Ling, Jr.	
D436,393	S	1/2001	Ling, Jr.	
6,216,351	B1	4/2001	Flubacher et al.	
6,216,352	B1	4/2001	Lorocco	
D443,016	S	5/2001	Nigh	
6,233,836	B1	5/2001	Uhlmann et al.	
D447,205	S	8/2001	Keng	
6,279,976	B1	8/2001	Ball	
6,360,471	B1	3/2002	Stein	
6,360,472	B1	3/2002	Lorocco	
6,367,189	B1	4/2002	Clay	
6,421,946	B1	7/2002	LoRocco	
6,446,377	B1	9/2002	Hollenbach et al.	
6,571,504	B2	6/2003	Carlson	

6,622,413	B1	9/2003	Bickett	
6,640,482	B2	11/2003	Carlson	
6,711,846	B1	3/2004	Nasef	
D492,747	S	7/2004	LoRocco	
6,769,210	B2	8/2004	Bubits	
6,834,457	B1	12/2004	Warren	
6,860,056	B2	3/2005	Howe	
D512,118	S	11/2005	Warren	
D512,760	S	12/2005	Warren	
D515,170	S	2/2006	Price	
D520,099	S	5/2006	Warren	
D520,592	S	5/2006	Warren	
D521,101	S	5/2006	Warren	
D521,591	S	5/2006	Warren	
D526,695	S	8/2006	Warren	
D527,068	S	8/2006	Warren	
D531,693	S	11/2006	Warren et al.	
D533,616	S	12/2006	Warren	
D533,617	S	12/2006	Warren	
D534,986	S	1/2007	Warren et al.	
D541,897	S	5/2007	Warren et al.	
D546,915	S	7/2007	Price	
7,287,351	B1	10/2007	Warren	
D560,744	S	1/2008	Warren et al.	
D565,144	S	3/2008	Price	
7,451,566	B1	11/2008	Price	
7,565,762	B2	7/2009	Lackey	
7,627,976	B1	12/2009	Olson	
D611,112	S	3/2010	Kay	
D611,113	S	* 3/2010	Kay .....	D22/109
7,676,137	B2	3/2010	Schick et al.	
7,886,475	B2	2/2011	Dubois	
7,905,044	B2	3/2011	Clouser	
7,908,783	B2	3/2011	Howe et al.	
8,037,634	B2	10/2011	Price	
8,132,352	B2	3/2012	Lippard	
2006/0123687	A1	6/2006	Howe et al.	
2006/0207157	A1	9/2006	Keng	
2007/0240354	A1	10/2007	Warren	
2009/0013581	A1	1/2009	LoRocco	
2009/0126251	A1	5/2009	Howe et al.	
2010/0088944	A1	4/2010	Callihan	
2010/0170138	A1	7/2010	Zukowski	
2011/0067286	A1	3/2011	Price	
2011/0107650	A1	5/2011	Howe et al.	
2011/0314721	A1	12/2011	Lamb	

## FOREIGN PATENT DOCUMENTS

WO 2010034458 A1 4/2010

## OTHER PUBLICATIONS

U.S. Appl. No. 13/222,740, filed Aug. 31, 2011.  
 U.S. Appl. No. 29/380,965, filed Dec. 14, 2010.  
 U.S. Appl. No. 13/285,537, filed Oct. 31, 2011.

\* cited by examiner

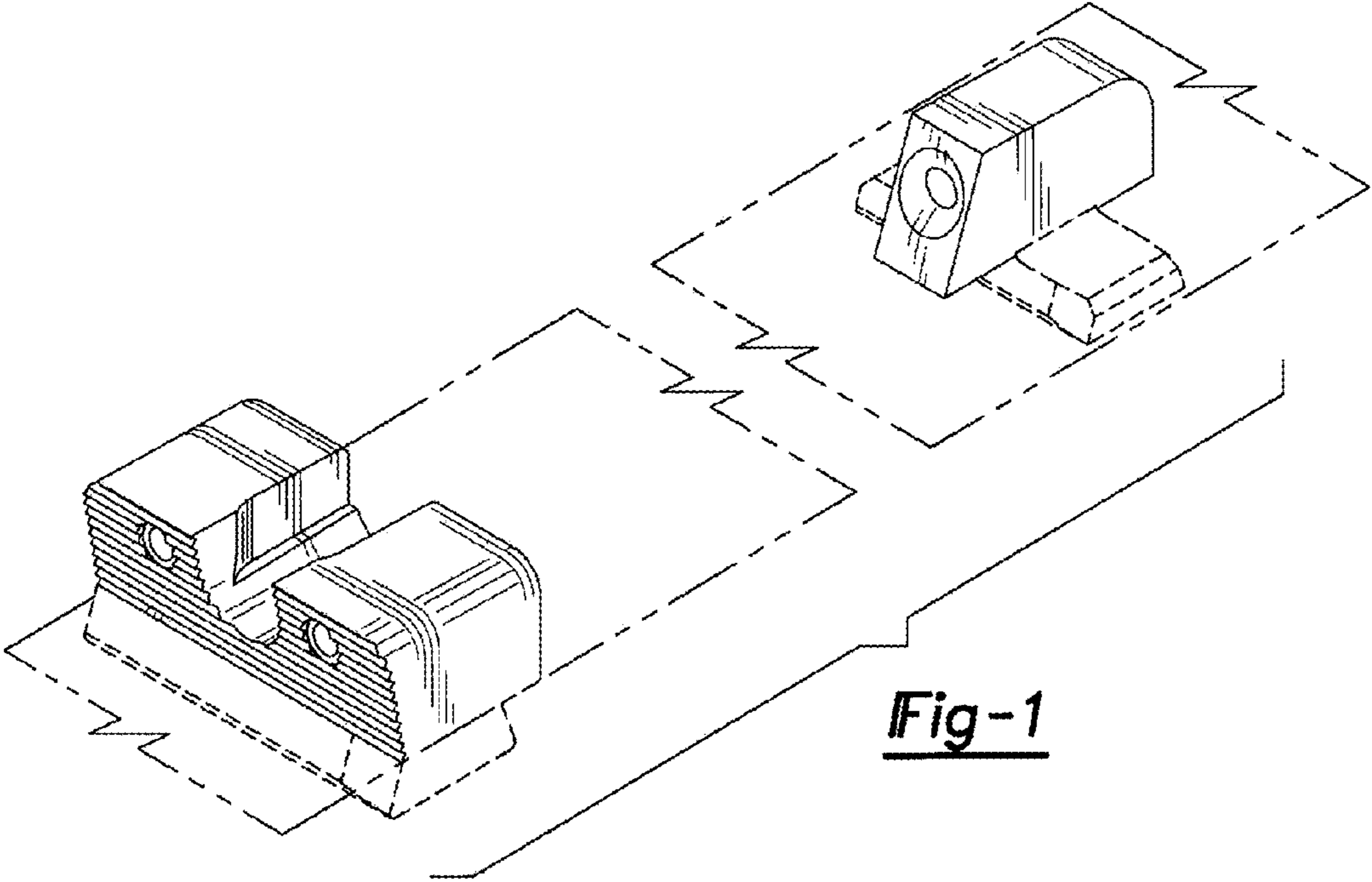


Fig-1

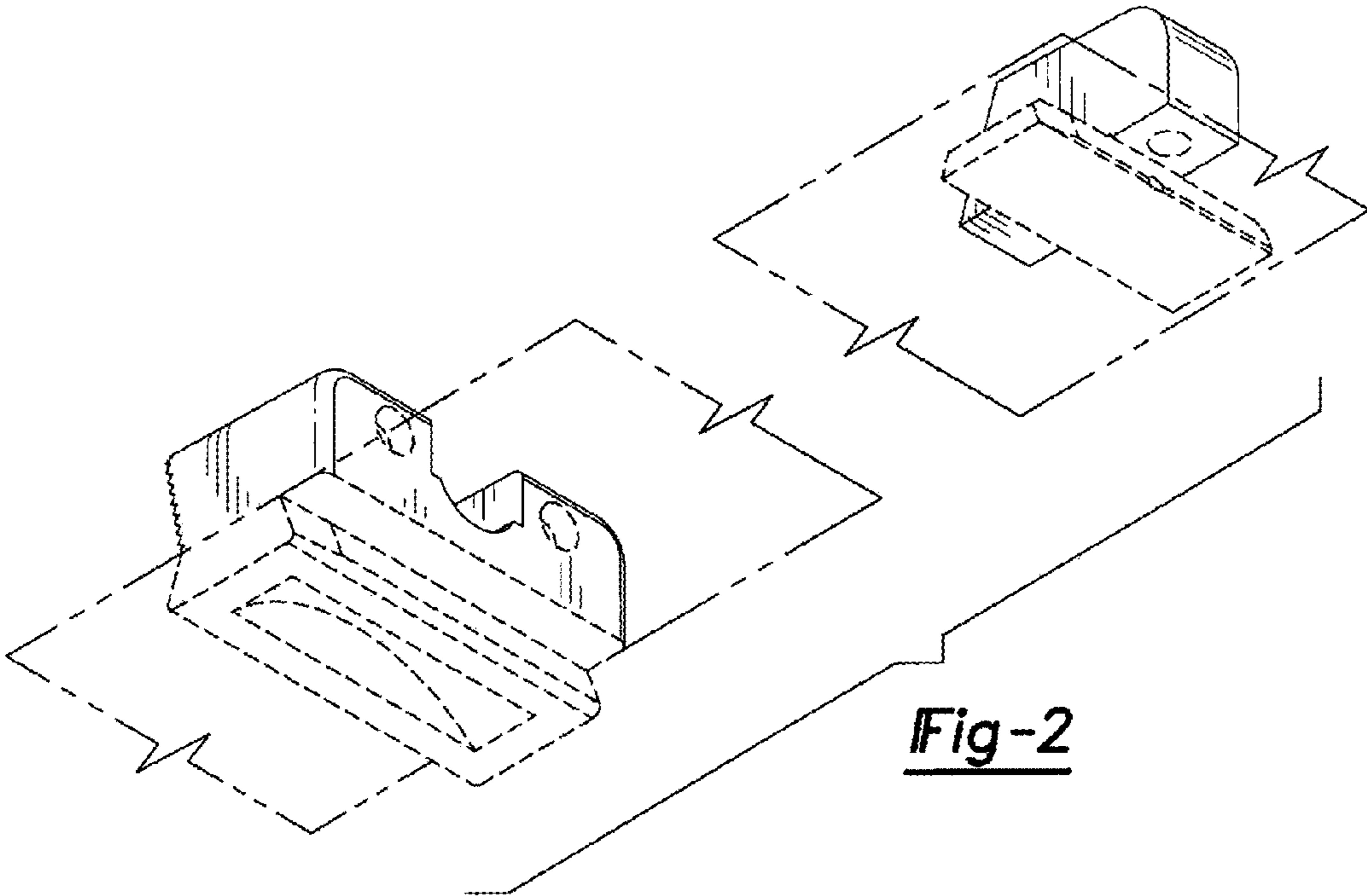
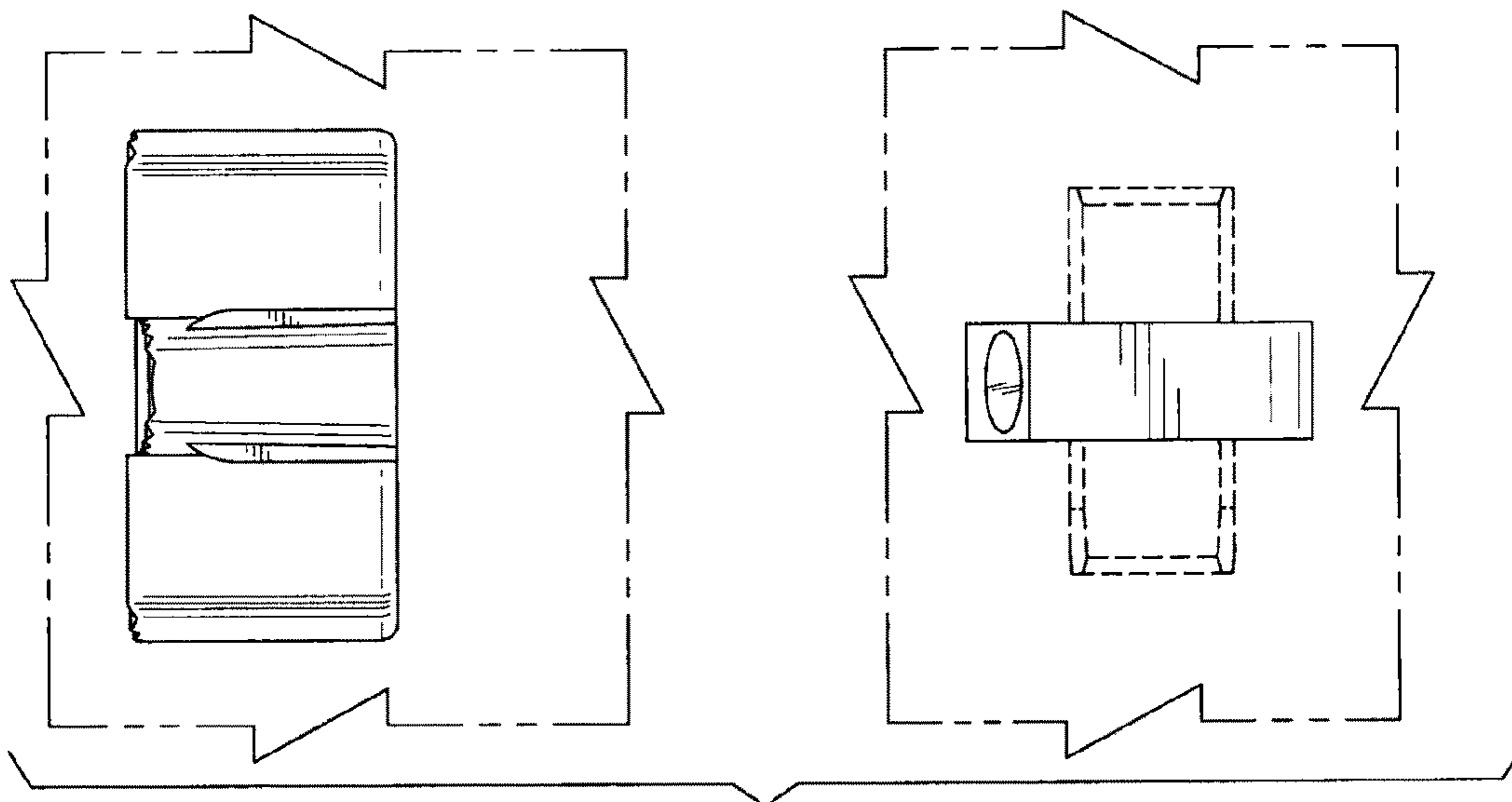
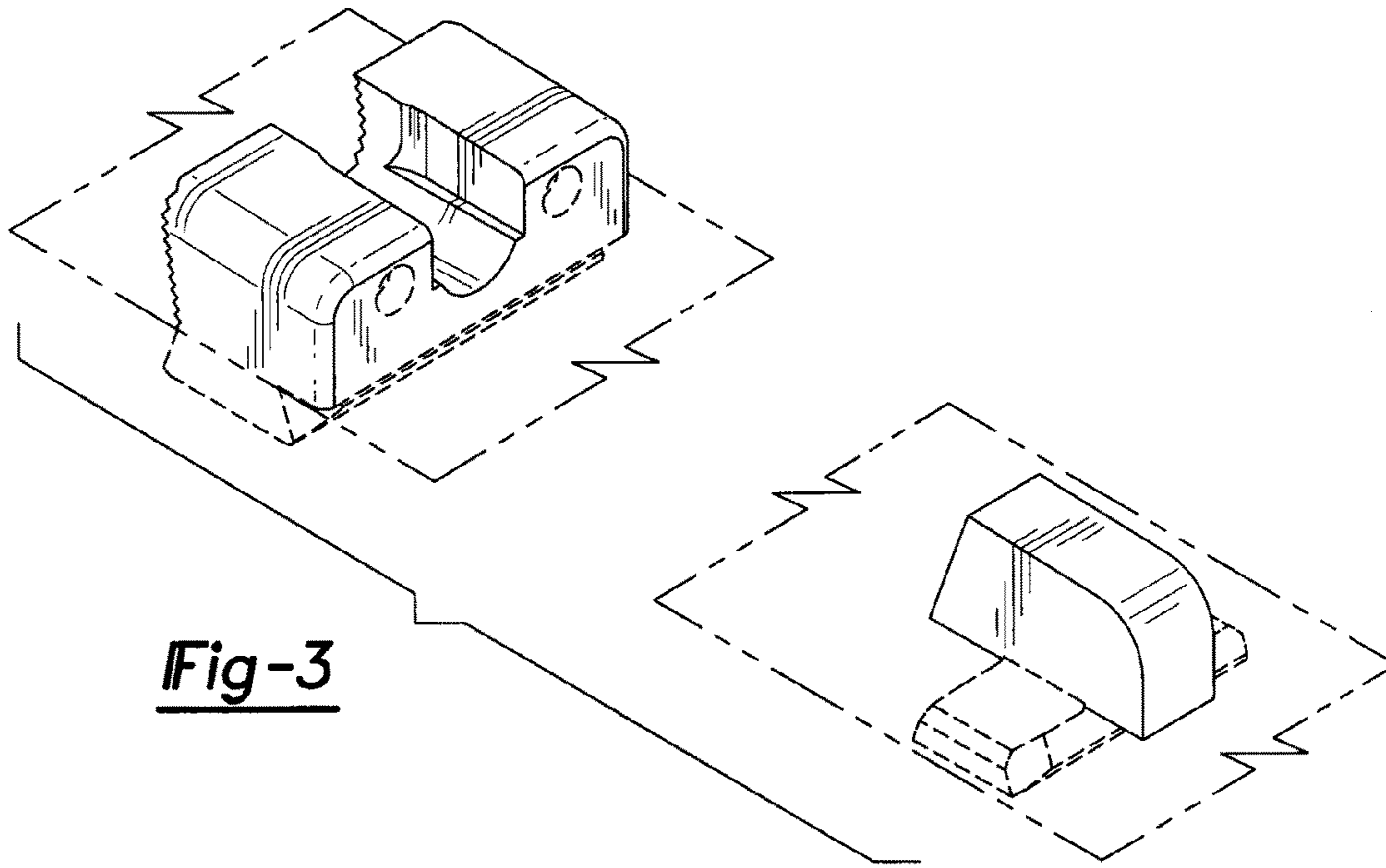


Fig-2





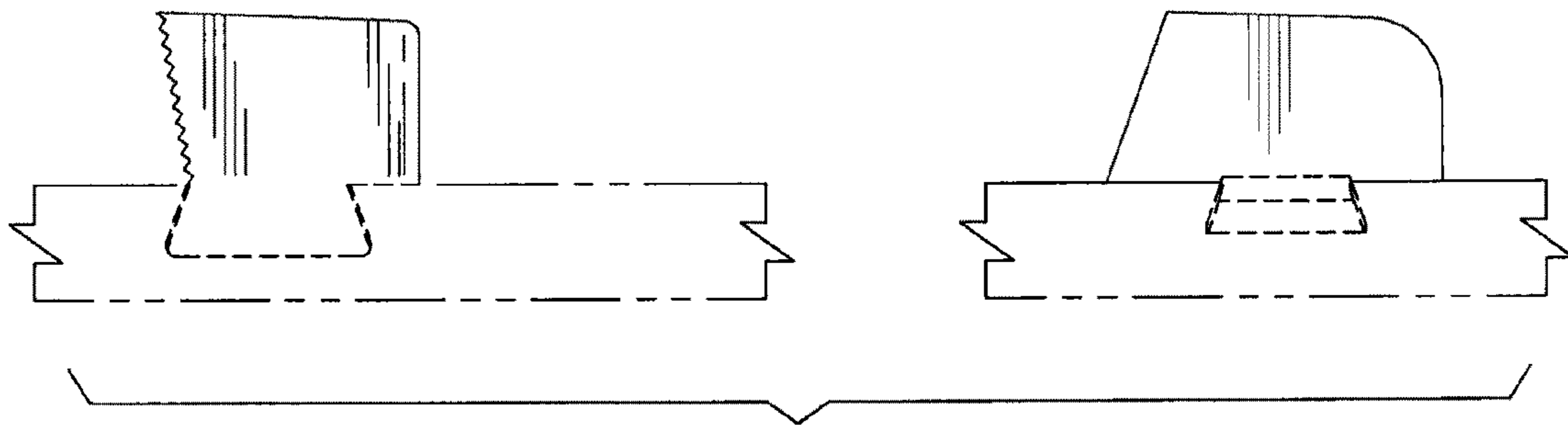


Fig-5

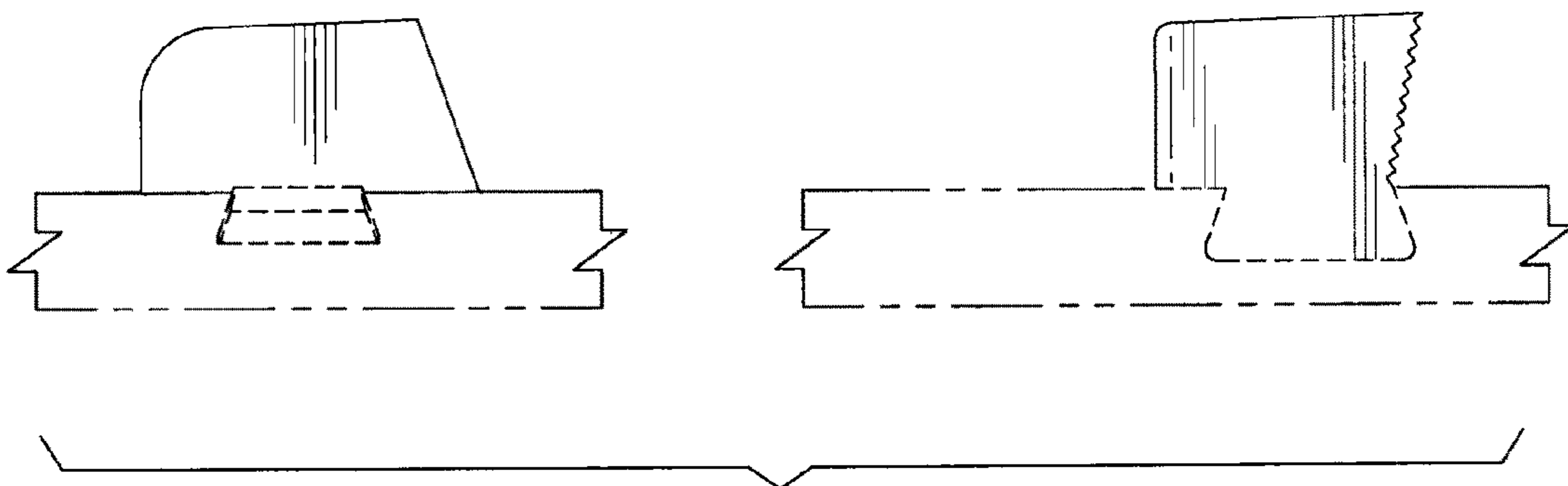


Fig-6

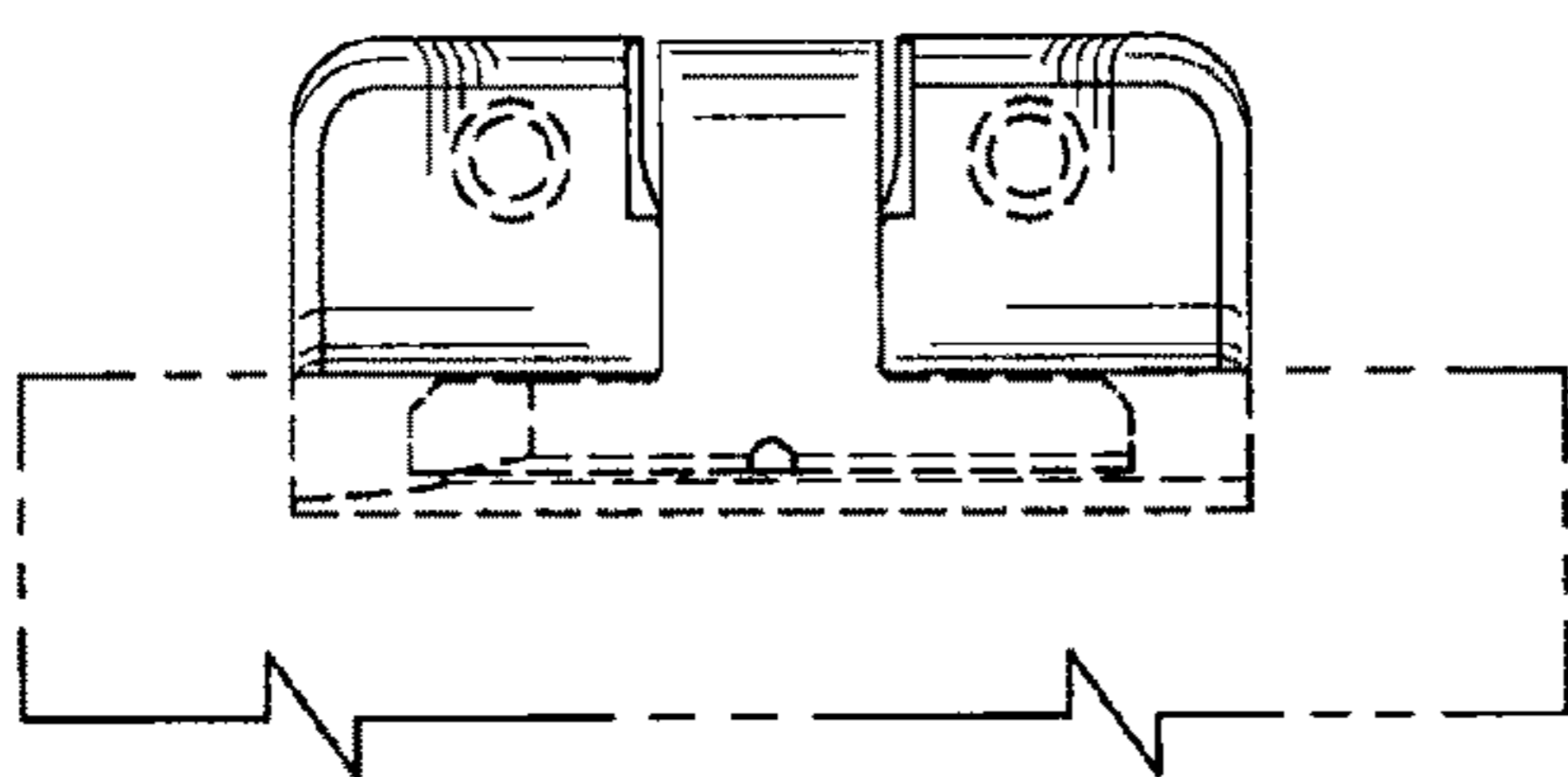


Fig-7

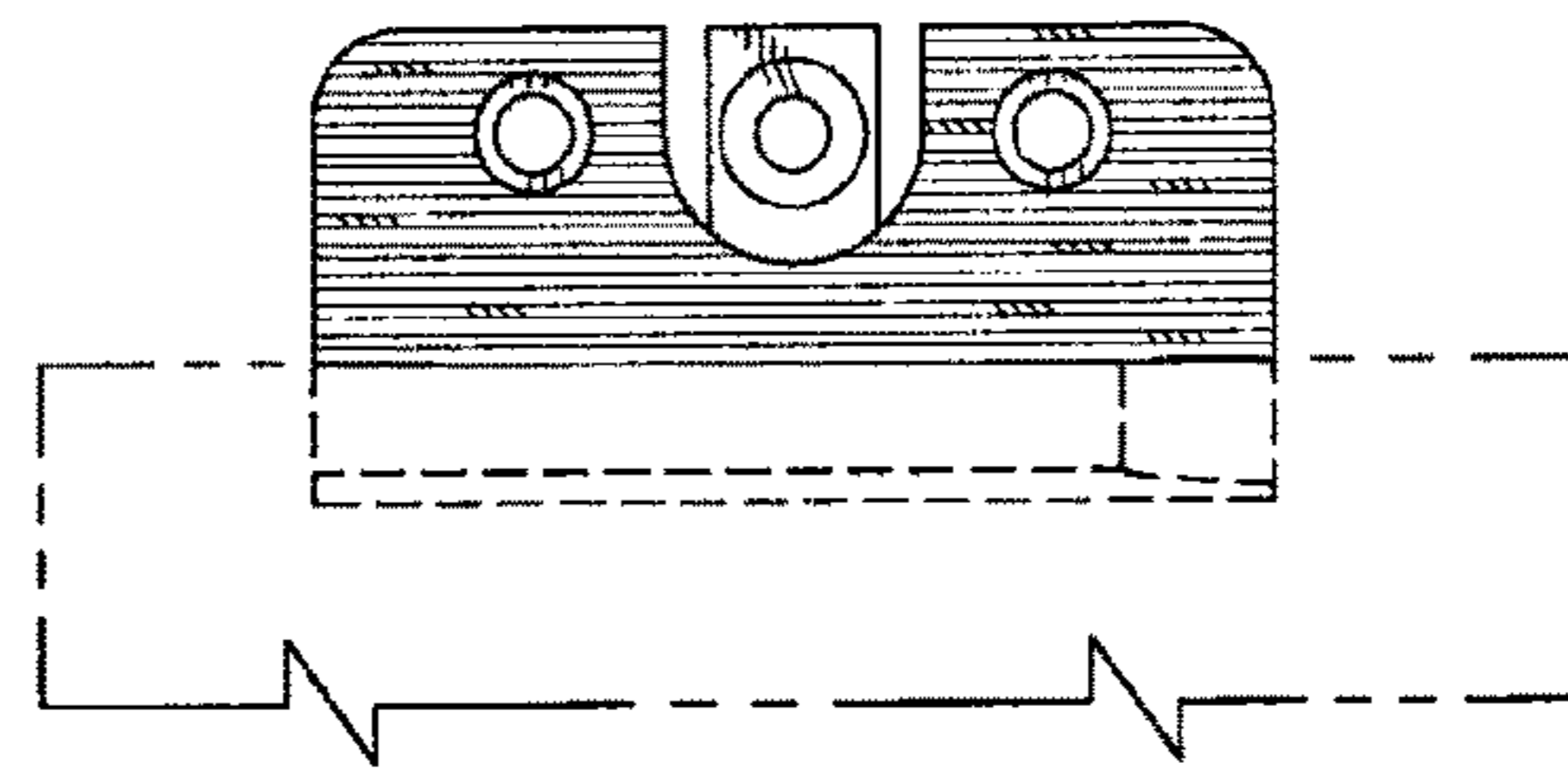


Fig-8