



US00D667521S

(12) **United States Design Patent**
Hoshi

(10) **Patent No.:** **US D667,521 S**

(45) **Date of Patent:** **** Sep. 18, 2012**

(54) **RIFLE SCOPE**

(75) Inventor: **Tomohiro Hoshi**, Tokyo (JP)

(73) Assignee: **Nikon Corporation** (JP)

(**) Term: **14 Years**

(21) Appl. No.: **29/397,149**

(22) Filed: **Jul. 12, 2011**

(30) **Foreign Application Priority Data**

Jan. 17, 2011 (JP) 2011-000824

(51) **LOC (9) Cl.** **22-01**

(52) **U.S. Cl.** **D22/109**

(58) **Field of Classification Search** D22/108-110,
D22/199; D16/132, 130, 133, 330, 134;
359/399, 823, 744; 42/111, 133, 119, 122
See application file for complete search history.

(56) **References Cited**

U.S. PATENT DOCUMENTS

D308,981 S *	7/1990	Moore	D16/132
D313,607 S *	1/1991	Moore	D16/132
5,020,892 A *	6/1991	Glover et al.	359/399
5,299,067 A *	3/1994	Kutz et al.	359/827
D369,367 S *	4/1996	Tomita	D16/132

D417,679 S *	12/1999	Cross et al.	D16/132
6,508,026 B1 *	1/2003	Uppiano et al.	42/119
D476,714 S *	7/2003	Meinzer	D22/109
D589,544 S *	3/2009	York	D16/132
D594,495 S *	6/2009	York	D16/132
7,626,760 B2 *	12/2009	Wu	359/426
D611,973 S *	3/2010	York	D16/132
D637,258 S *	5/2011	Bengtsson	D22/109

* cited by examiner

Primary Examiner — Michael A Pratt

(74) *Attorney, Agent, or Firm* — Caesar, Rivise, Bernstein,
Cohen & Pokotilow, Ltd.

(57) **CLAIM**

The ornamental design for a rifle scope, as shown and described.

DESCRIPTION

FIG. 1 is a front, top and right side perspective view of a rifle scope showing my new design;
FIG. 2 is a rear, bottom and left side perspective view thereof;
FIG. 3 is a left side elevational view thereof.
FIG. 4 is a right side elevational view thereof;
FIG. 5 is a top plan view thereof;
FIG. 6 is a bottom plan view thereof;
FIG. 7 is a rear view thereof; and,
FIG. 8 is a front view thereof.

1 Claim, 5 Drawing Sheets

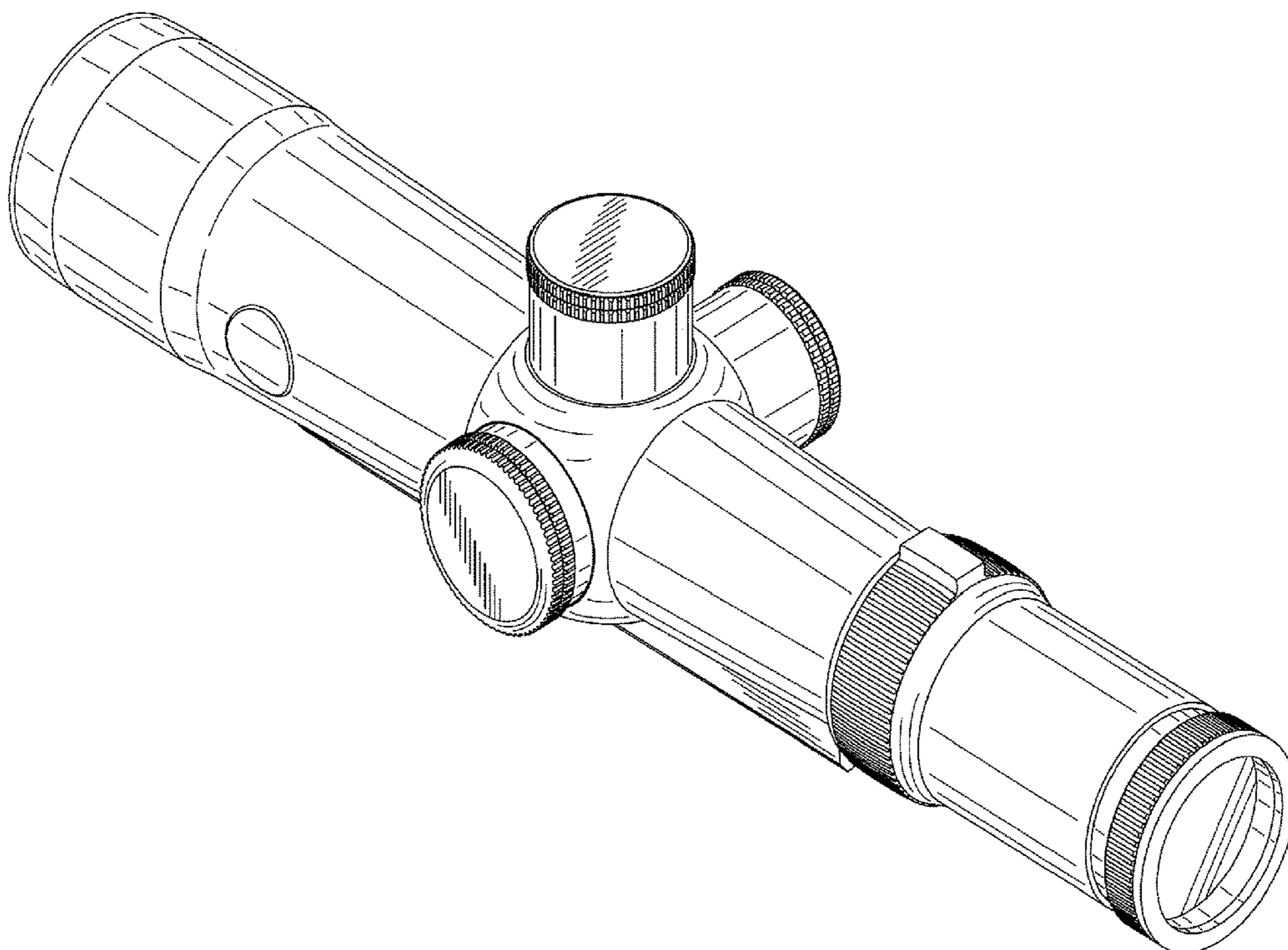


FIG. 1

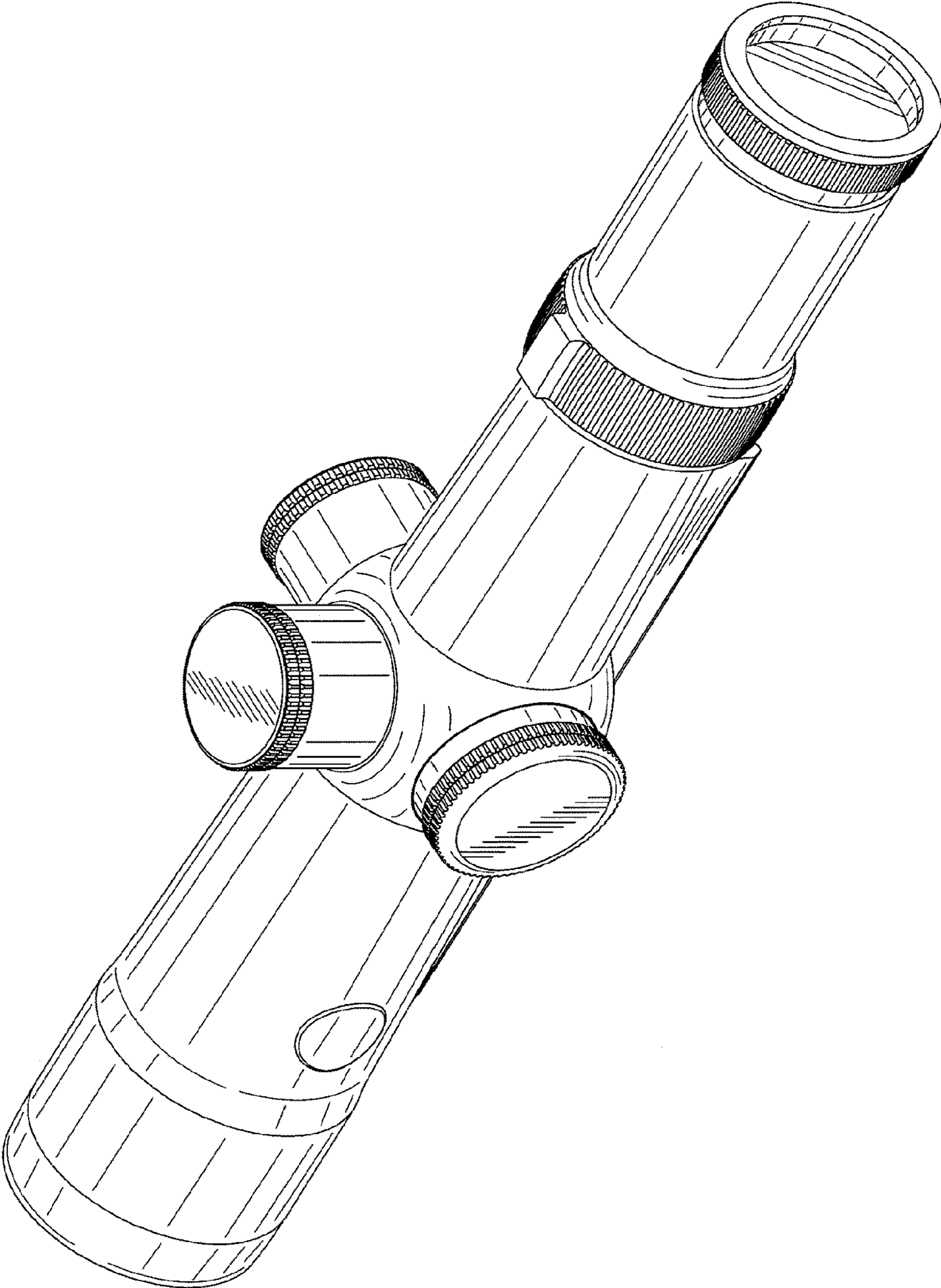


FIG. 2

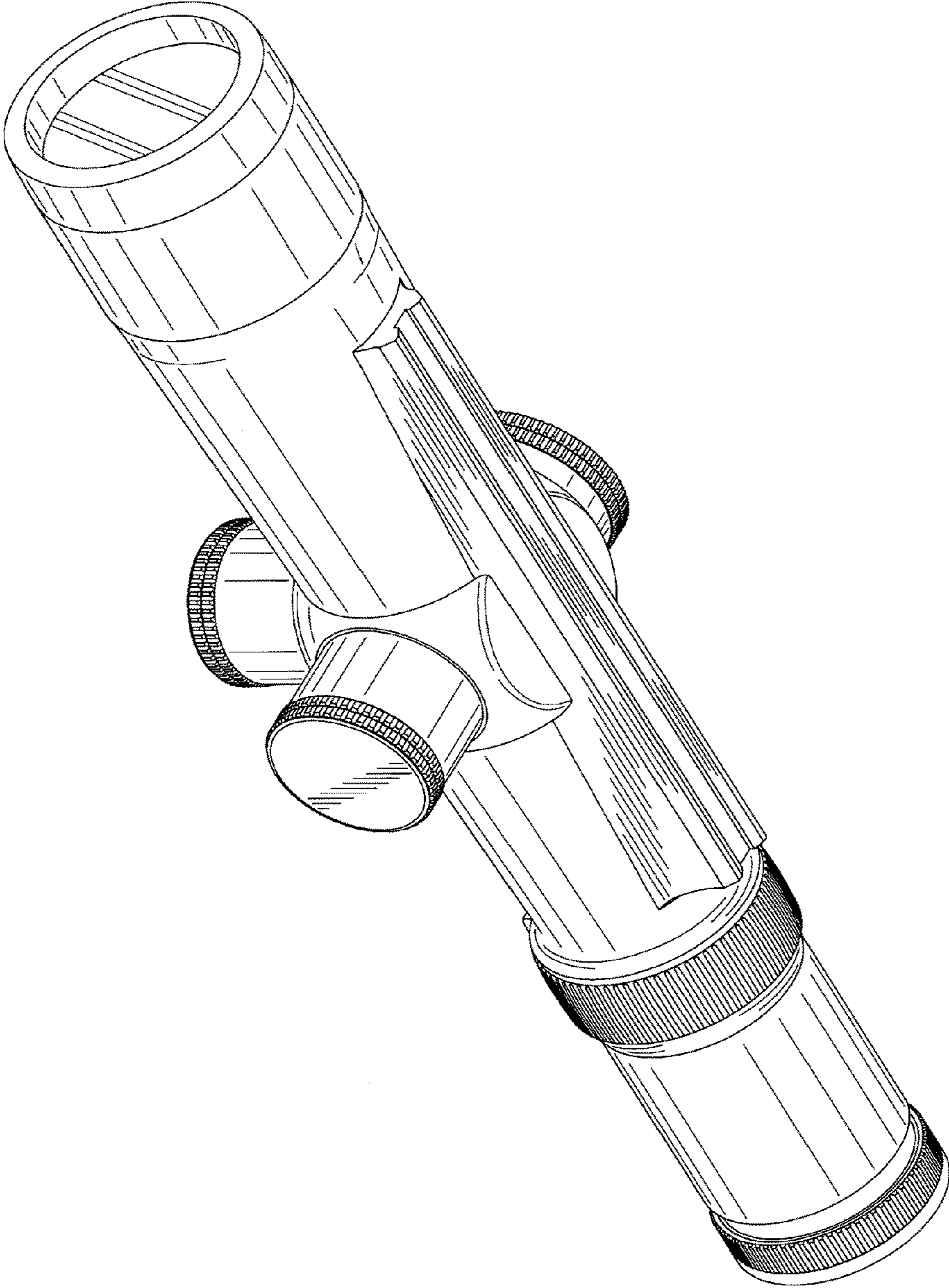


FIG. 3

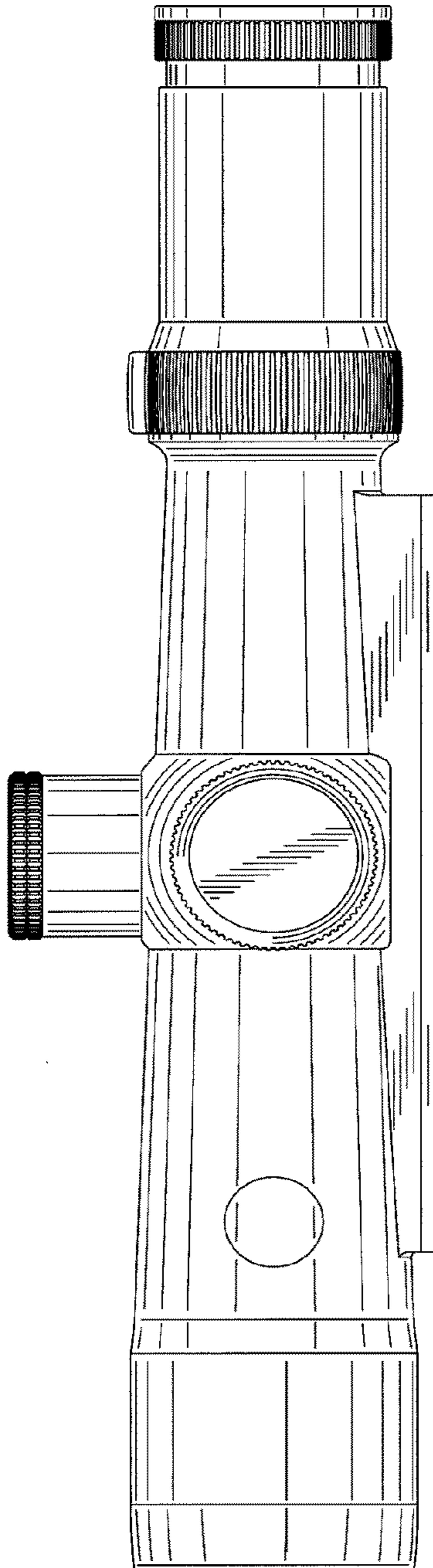


FIG. 4

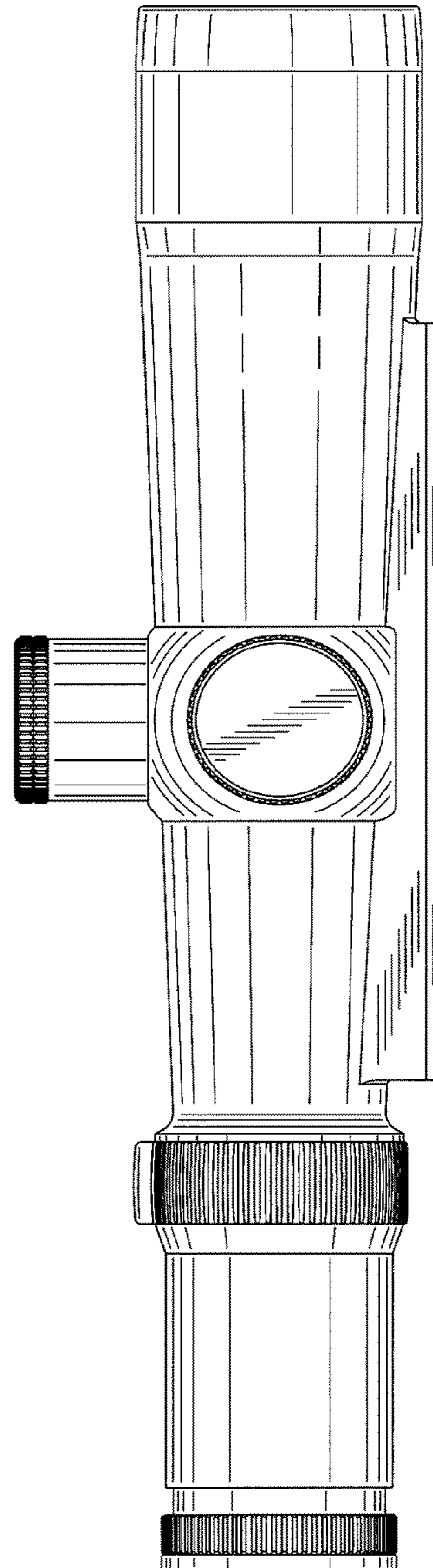


FIG. 5

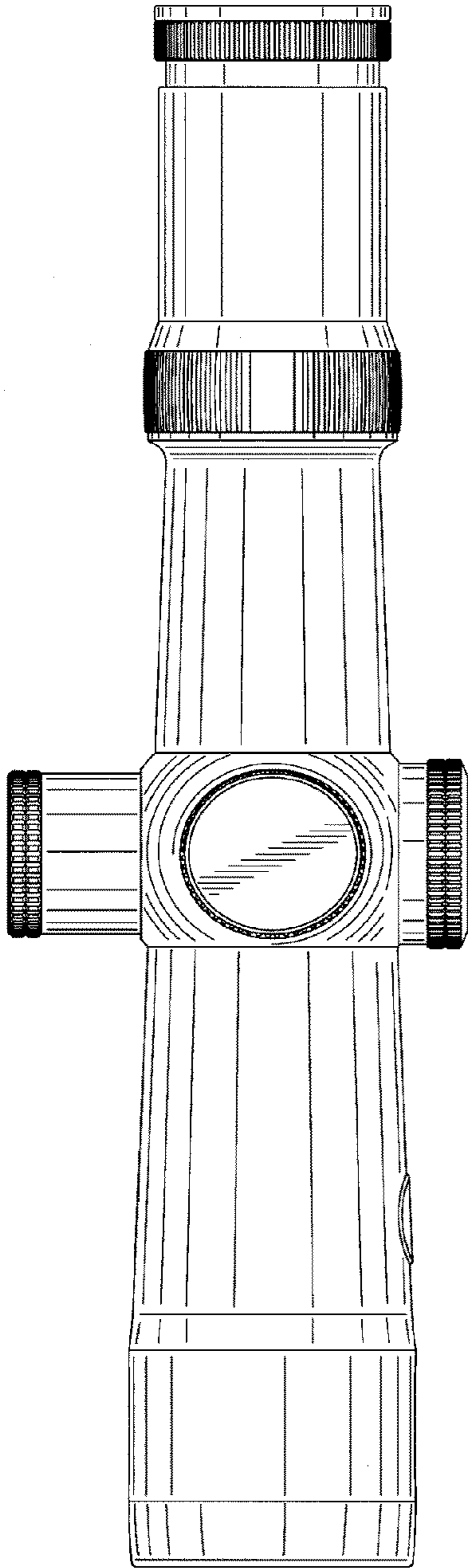


FIG. 6

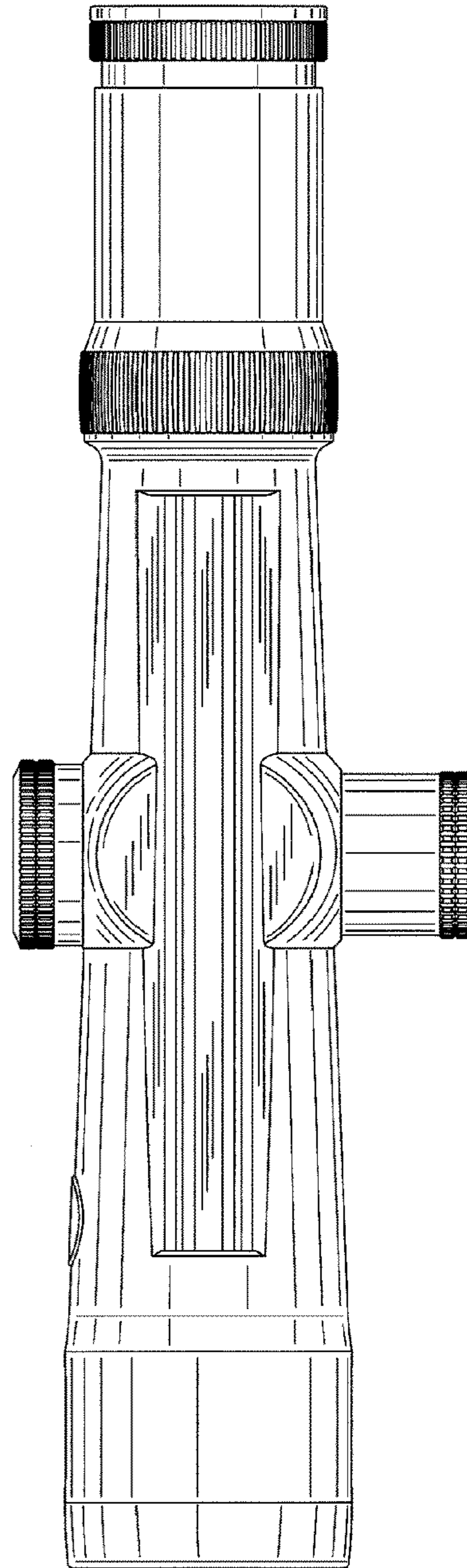


FIG. 7

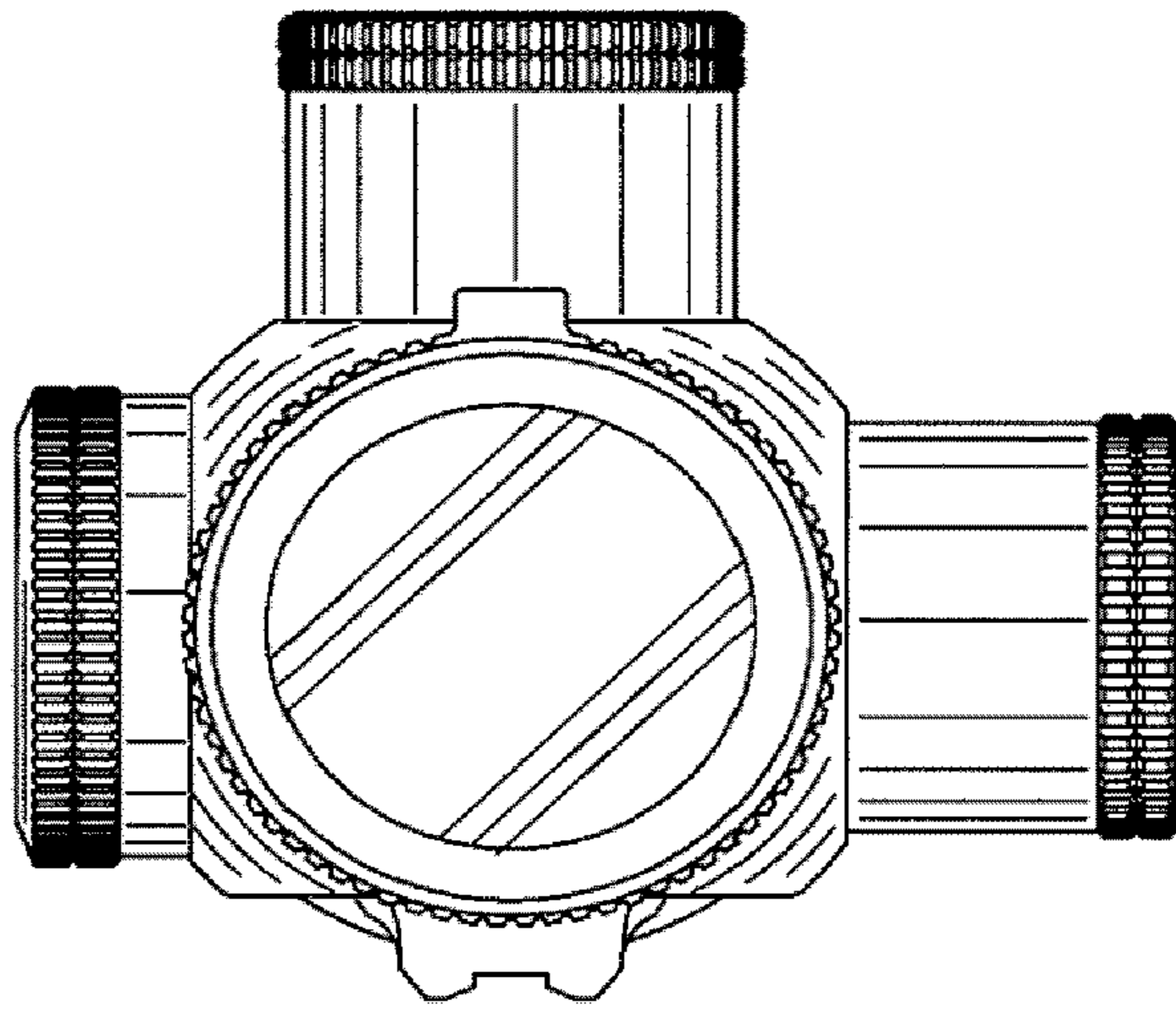


FIG. 8

