



US00D667512S

(12) **United States Design Patent**
Mimlitch, III et al.

(10) **Patent No.:** **US D667,512 S**

(45) **Date of Patent:** **** Sep. 18, 2012**

(54) **ROBOTIC TOY SCARAB**

(75) Inventors: **Robert H. Mimlitch, III**, Rowlett, TX (US); **David A. Norman**, Greenville, TX (US); **Douglas Galletti**, Allen, TX (US); **Gregory Lavender**, Rockwall, TX (US); **Gregory Needel**, Rockwall, TX (US); **Jeffrey Russell Waegelin**, Rockwall, TX (US); **Brian Richard Delaney**, Rockwall, TX (US); **Raul Olivera**, Greenville, TX (US)

(73) Assignee: **Innovation First, Inc.**, Greenville, TX (US)

(**) Term: **14 Years**

(21) Appl. No.: **29/399,277**

(22) Filed: **Aug. 11, 2011**

(51) **LOC (9) Cl.** **21-01**

(52) **U.S. Cl.** **D21/650; D21/578**

(58) **Field of Classification Search** D6/596;
D11/158; D30/160; D21/576, 578-585,
D21/650; 446/72, 97-98, 268-269, 356,
446/369, 377

See application file for complete search history.

(56) **References Cited**

U.S. PATENT DOCUMENTS

4,629,440 A * 12/1986 McKittrick et al. 446/356
D291,711 S * 9/1987 Dixon D21/650
D408,473 S * 4/1999 Millman et al. D21/650
D417,638 S * 12/1999 Pierson, Sr. D11/158
6,238,264 B1 * 5/2001 Kazami et al. 446/356

D464,093 S * 10/2002 Weiser et al. D21/650
6,652,352 B1 * 11/2003 MacArthur et al. 446/356
6,866,557 B2 * 3/2005 Randall 446/356
D555,213 S * 11/2007 Bowen et al. D21/578
D629,471 S * 12/2010 O'Keefe D21/650

* cited by examiner

Primary Examiner — Sandra Morris

(74) *Attorney, Agent, or Firm* — Adam K. Sacharoff

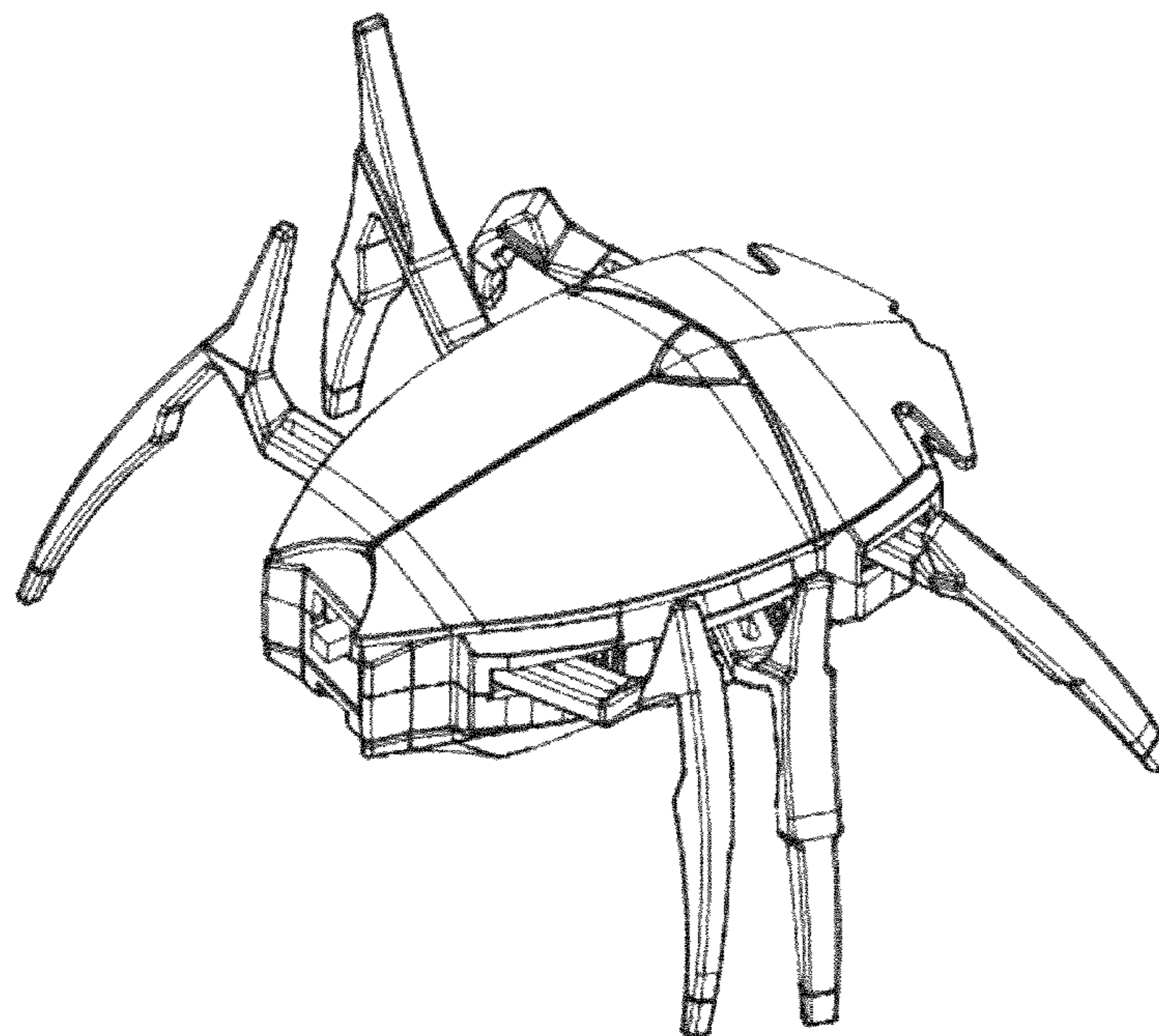
(57) **CLAIM**

The ornamental design for a robotic toy scarab, as shown and described.

DESCRIPTION

FIG. 1 is a top perspective view showing a first embodiment of the robotic toy scarab;
FIG. 2 is a bottom perspective view of FIG. 1;
FIG. 3 is a top side view of FIG. 1;
FIG. 4 is a bottom side view of FIG. 1;
FIG. 5 is a front side view of FIG. 1;
FIG. 6 is a back side view of FIG. 1;
FIG. 7 is a left side view of FIG. 1;
FIG. 8 is a right side view of FIG. 1;
FIG. 9 is a top perspective view showing a second embodiment of the robotic toy scarab;
FIG. 10 is a bottom perspective view of FIG. 9;
FIG. 11 is a top side view of FIG. 9;
FIG. 12 is a bottom side view of FIG. 9;
FIG. 13 is a front side view of FIG. 9;
FIG. 14 is a back side view of FIG. 9;
FIG. 15 is a left side view of FIGS. 9; and,
FIG. 16 is a right side view of FIG. 9.

1 Claim, 16 Drawing Sheets



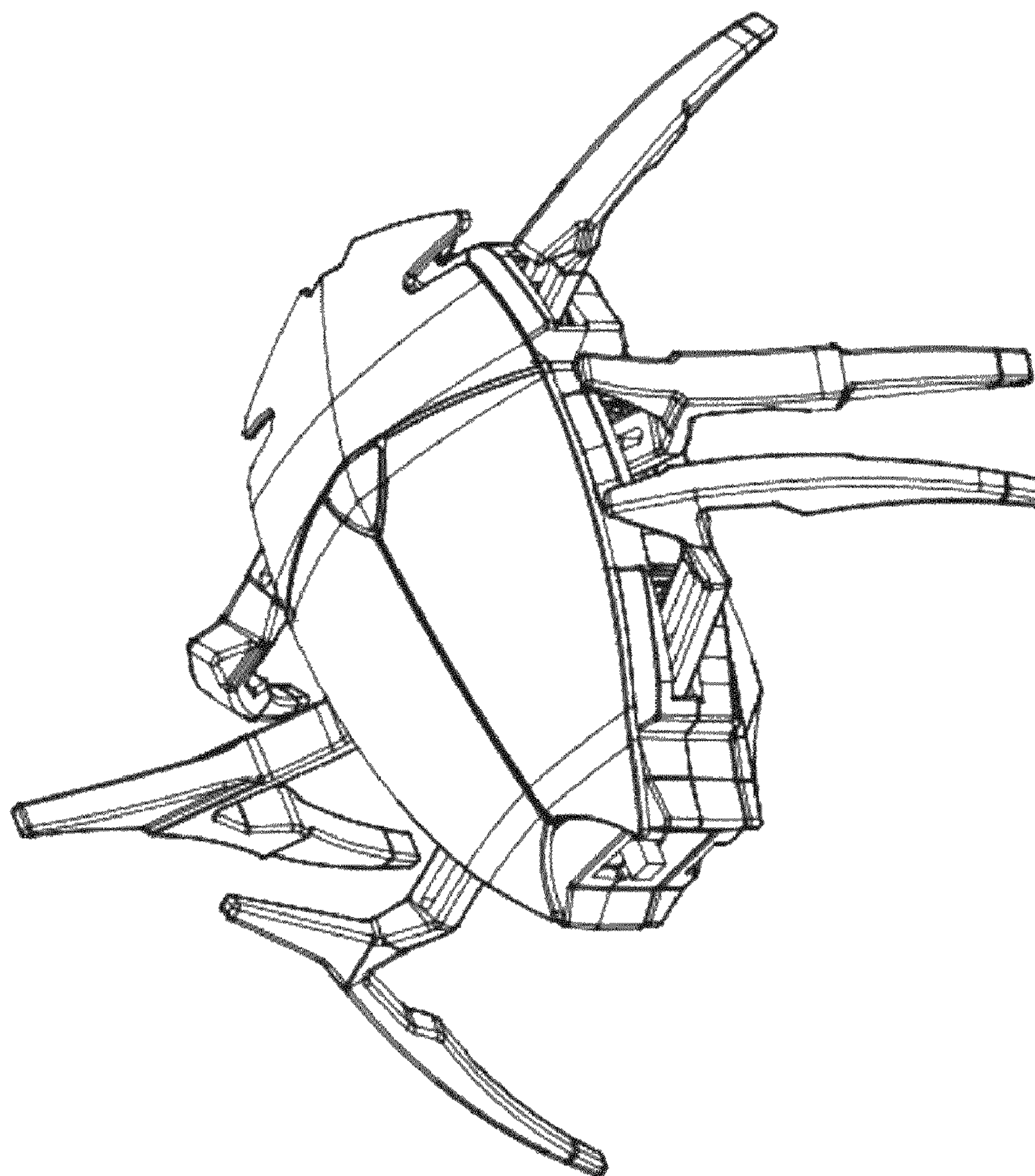


FIGURE 1

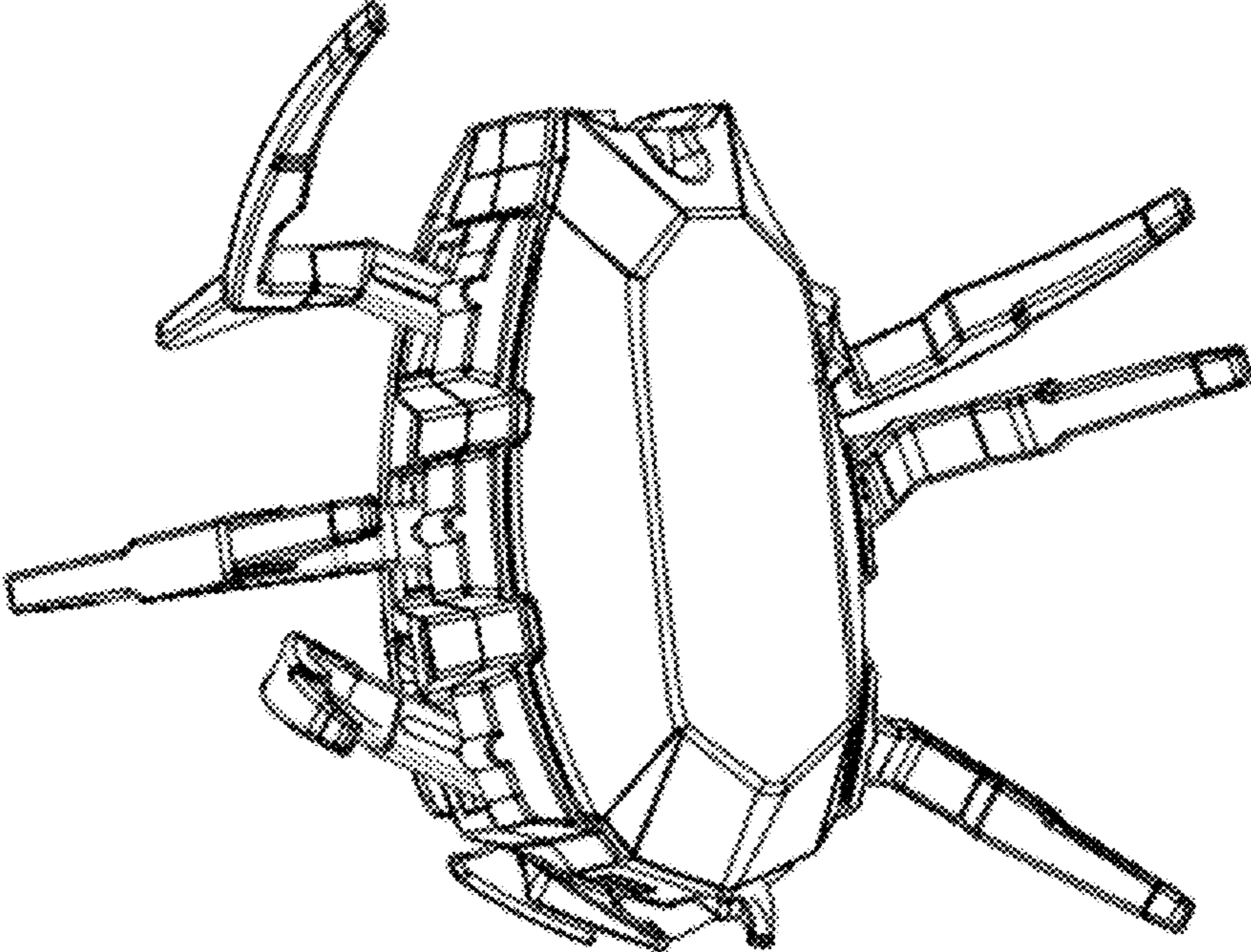


FIGURE 2

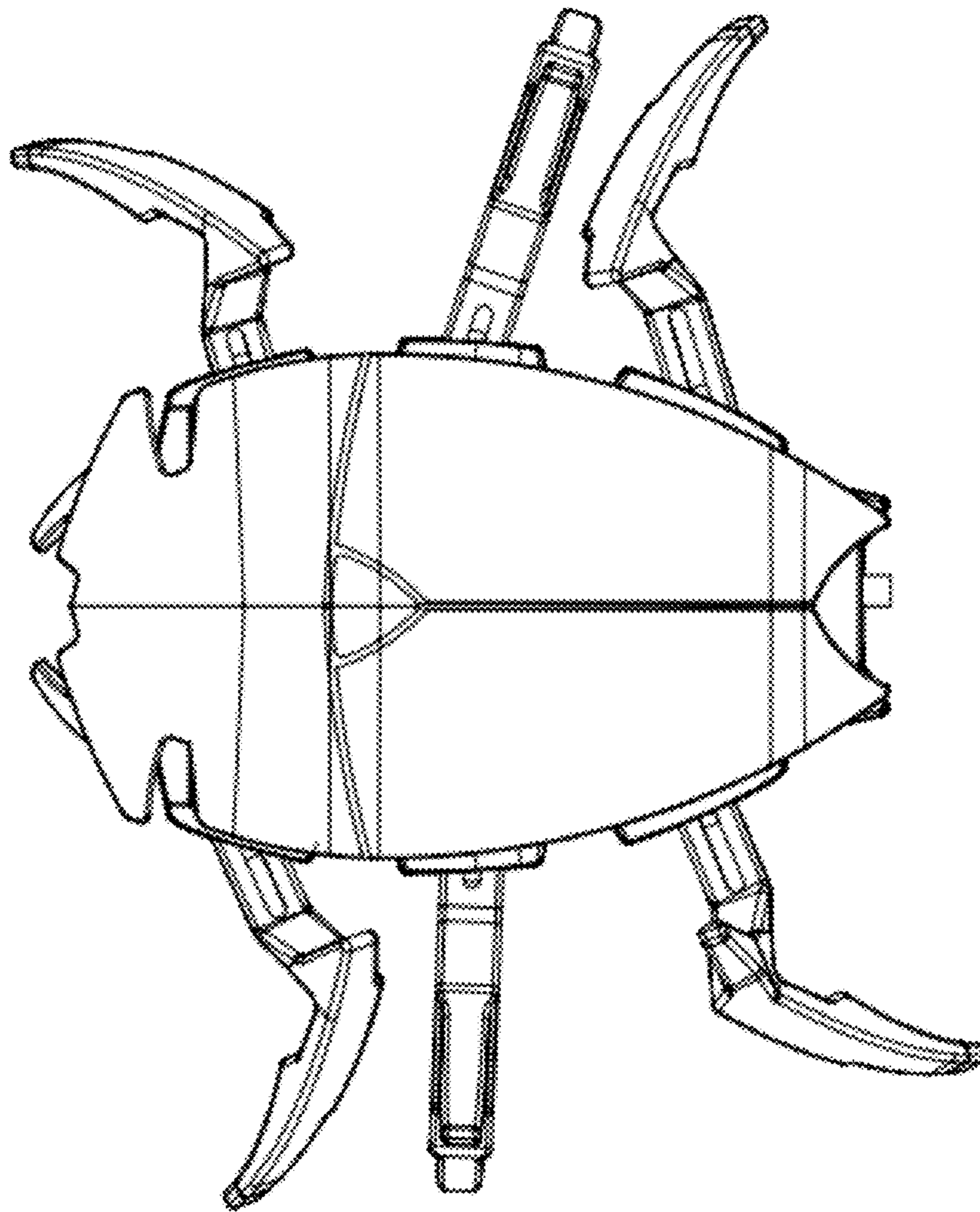


FIGURE 3

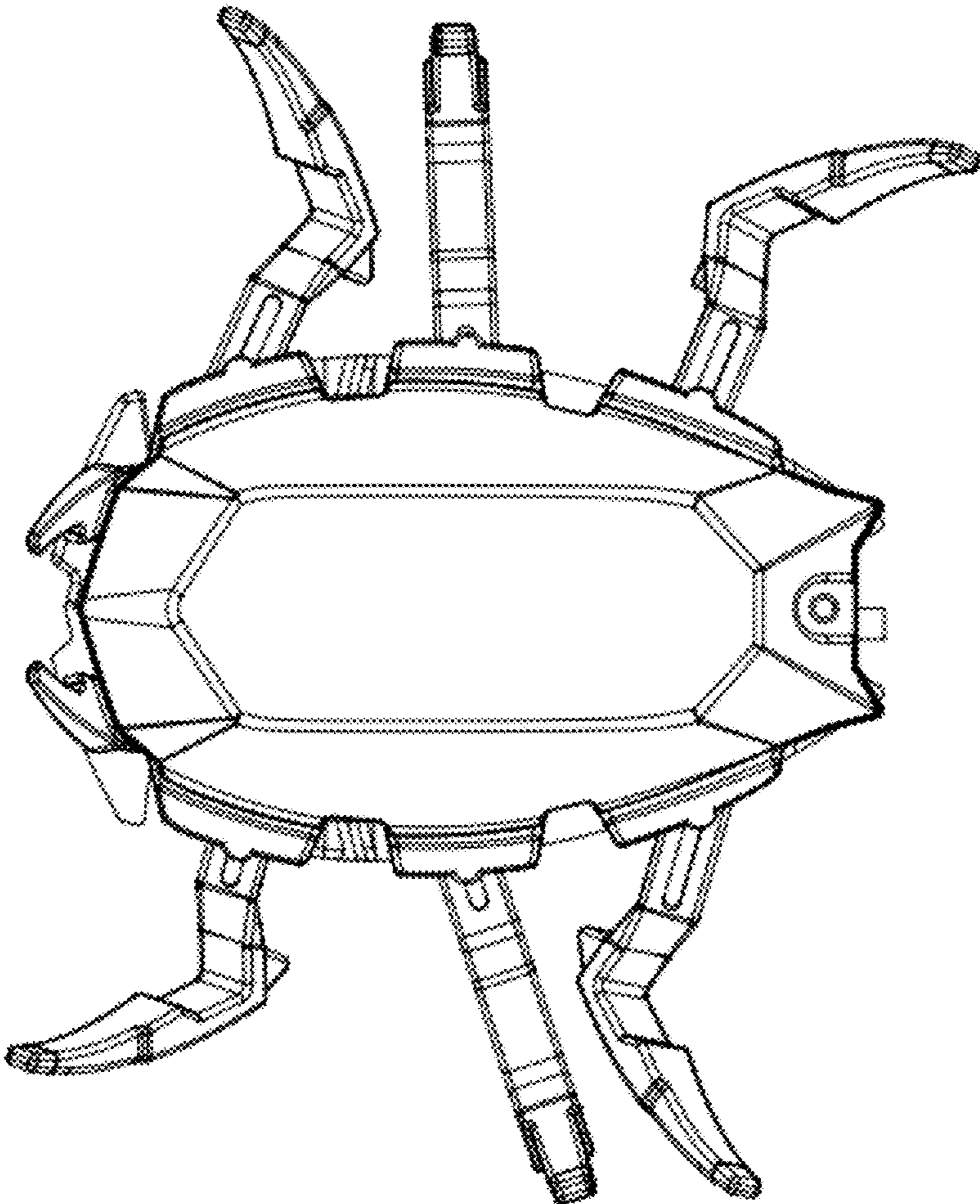


FIGURE 4

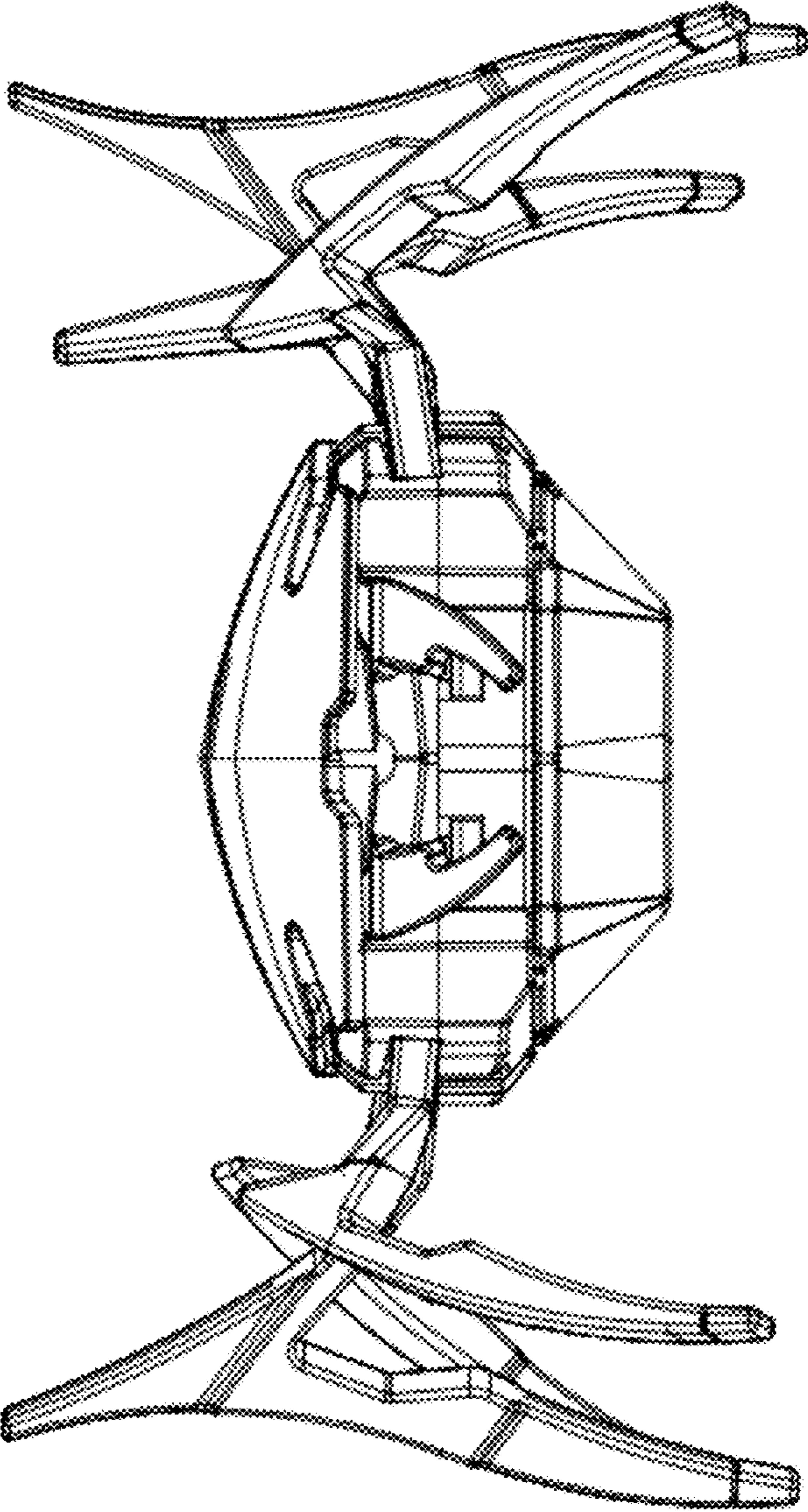


FIGURE 5

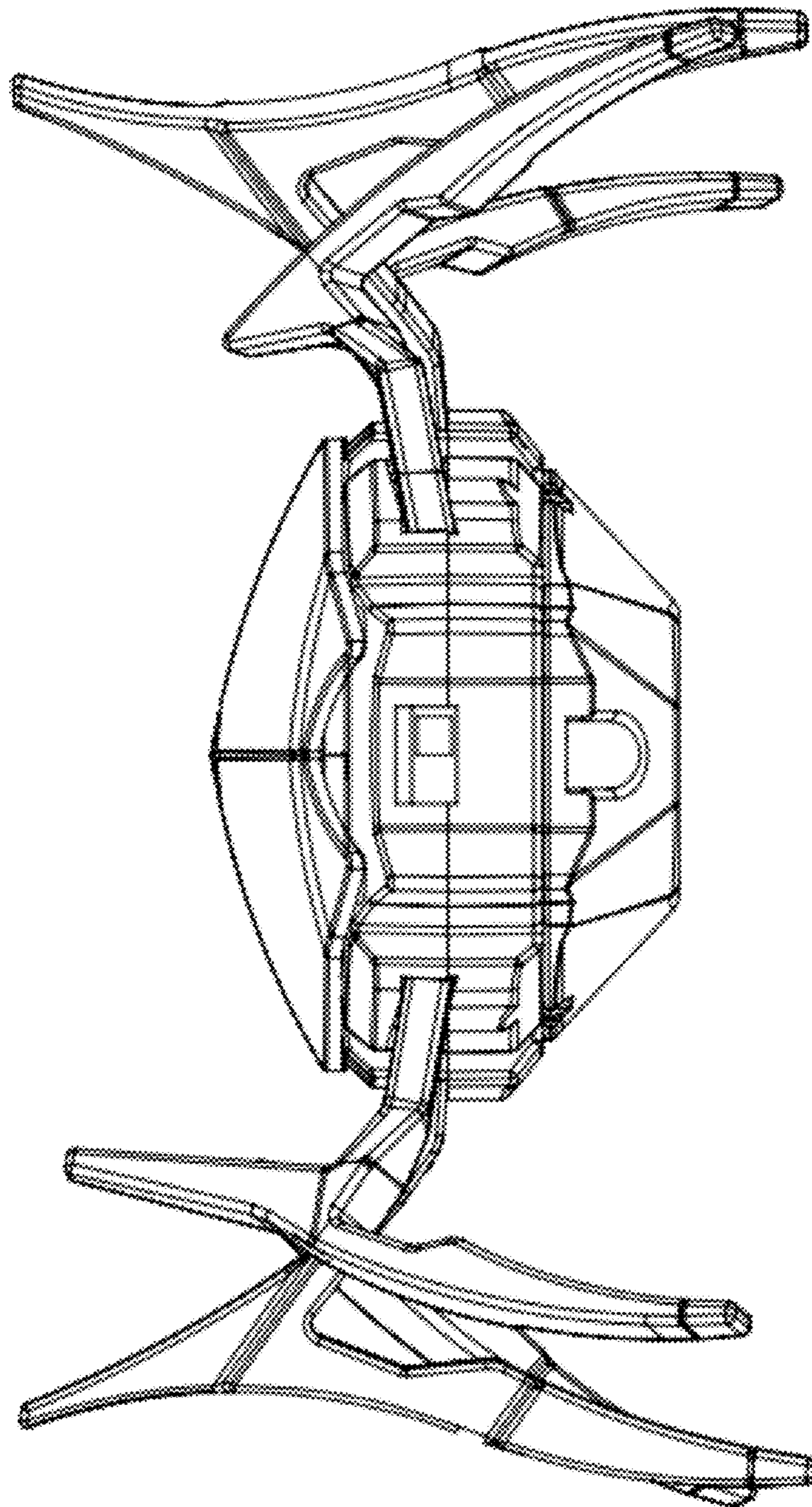


FIGURE 6

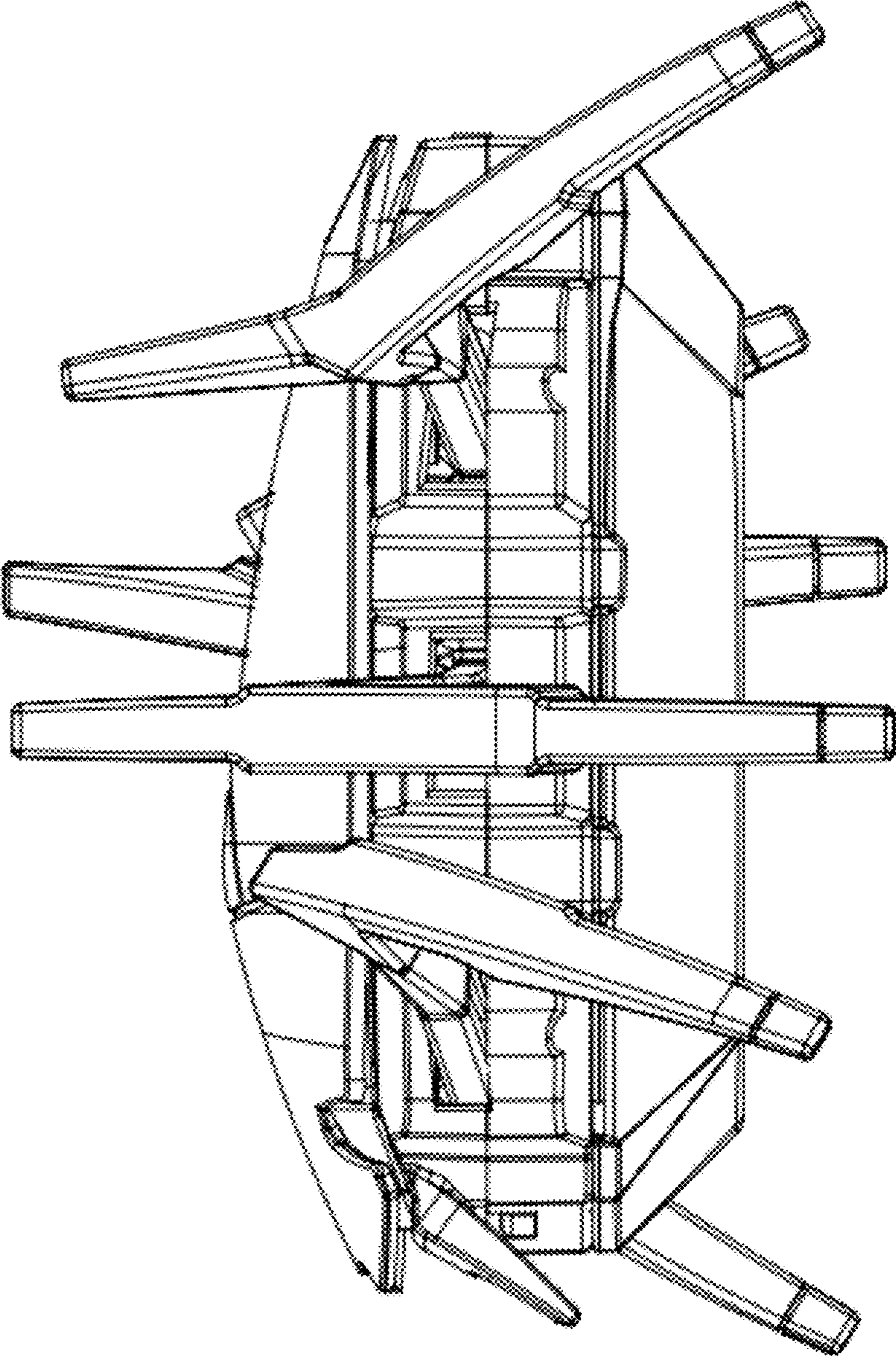


FIGURE 7

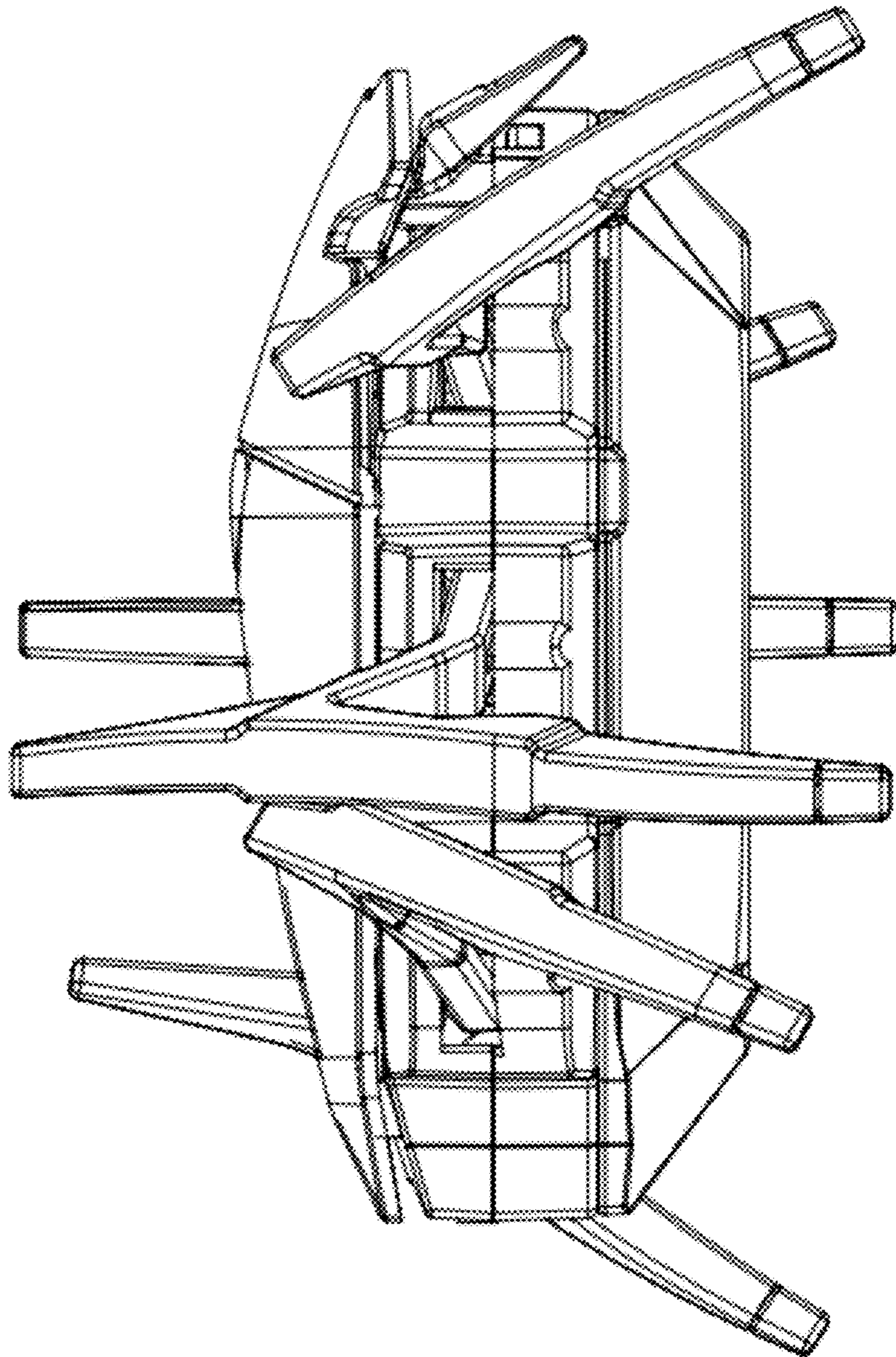


FIGURE 8

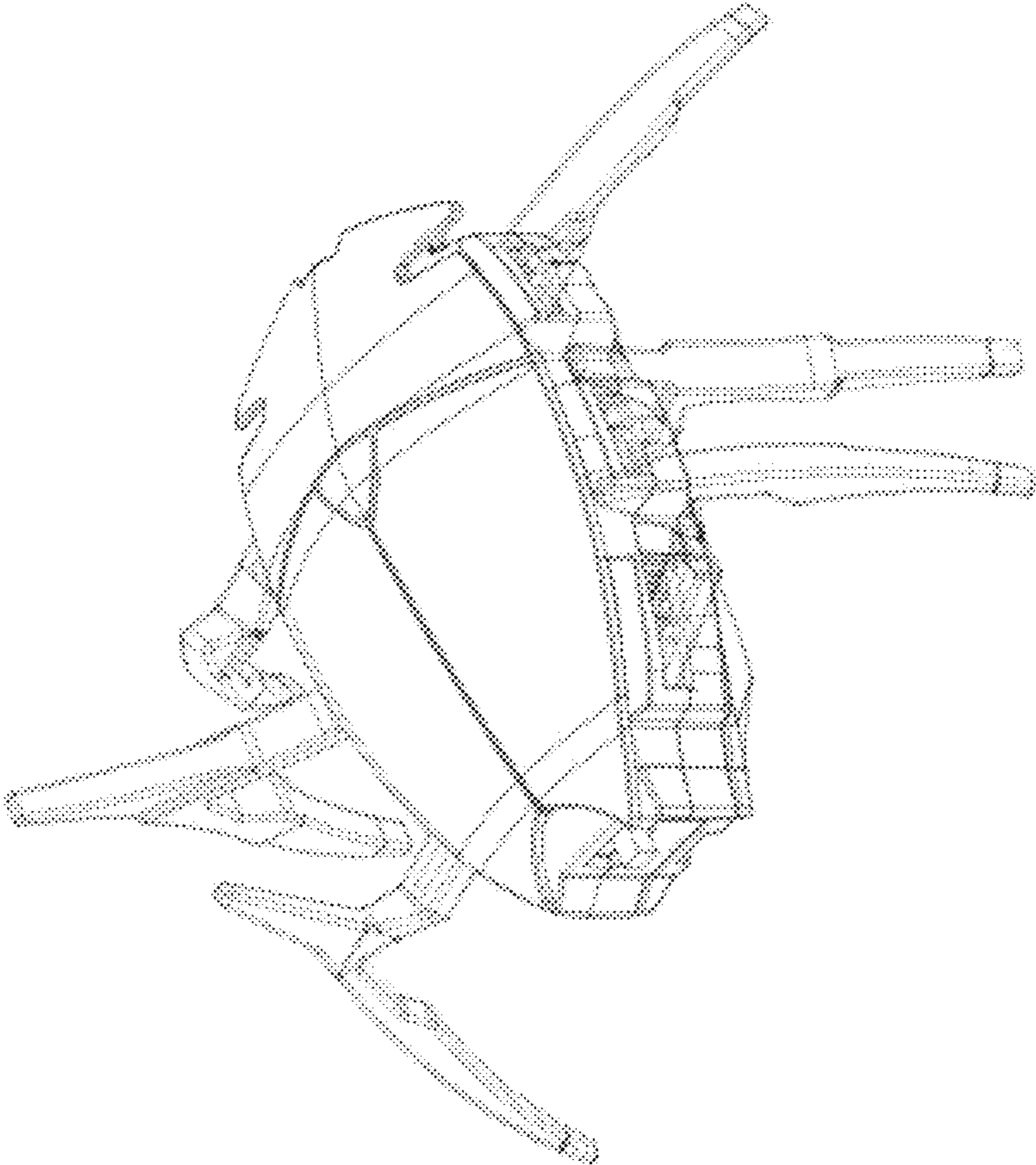


FIGURE 9

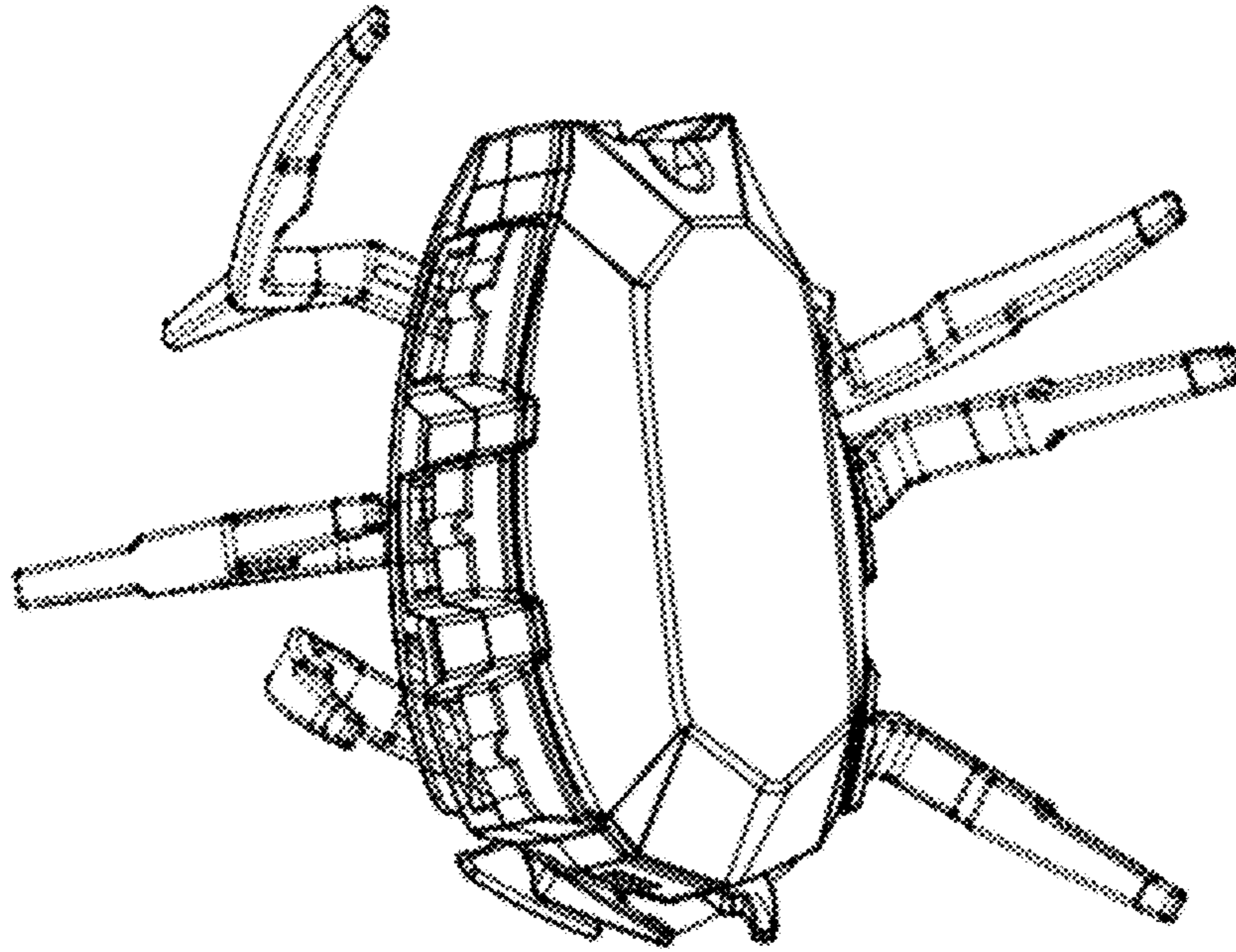


FIGURE 10

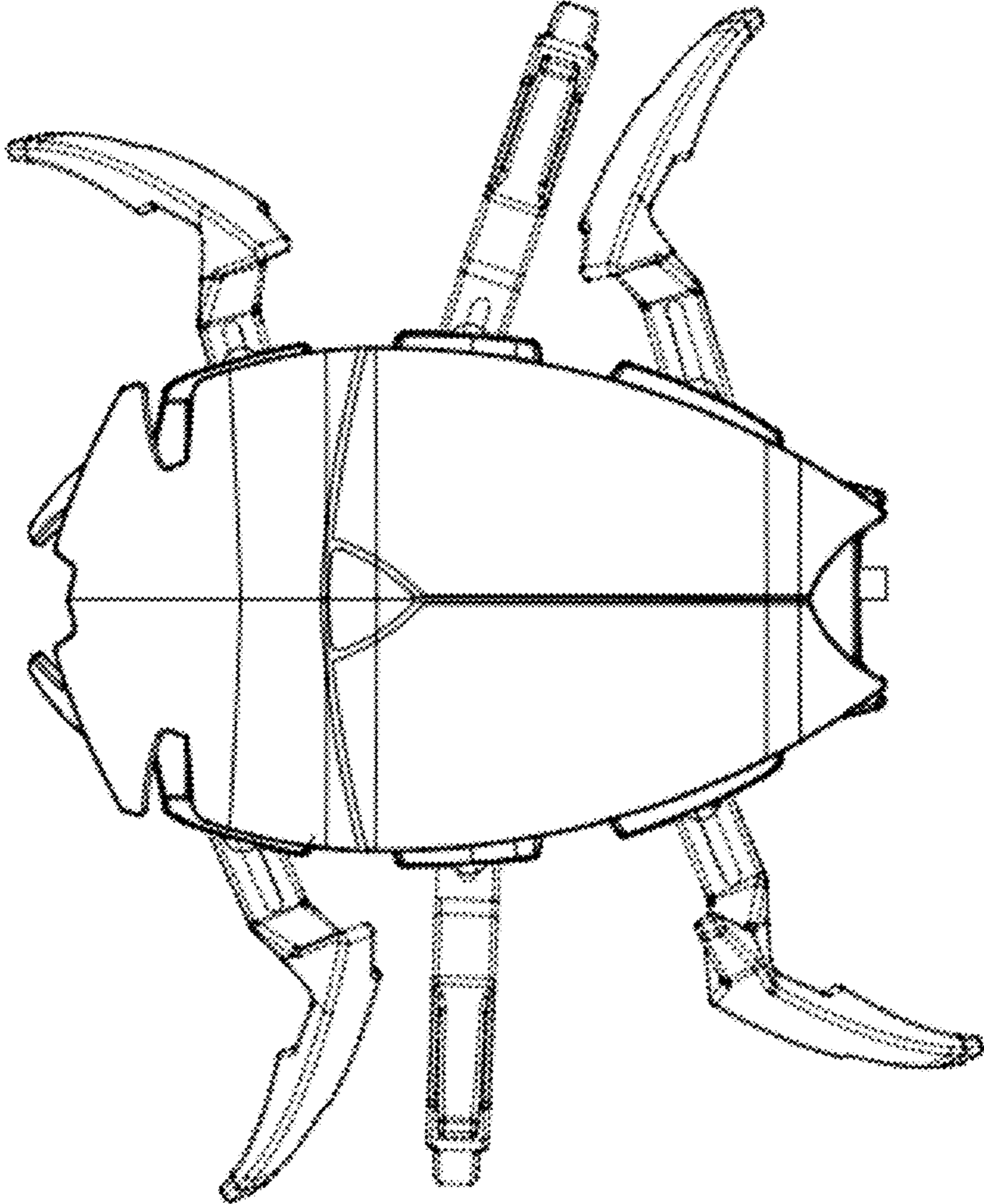


FIGURE 11

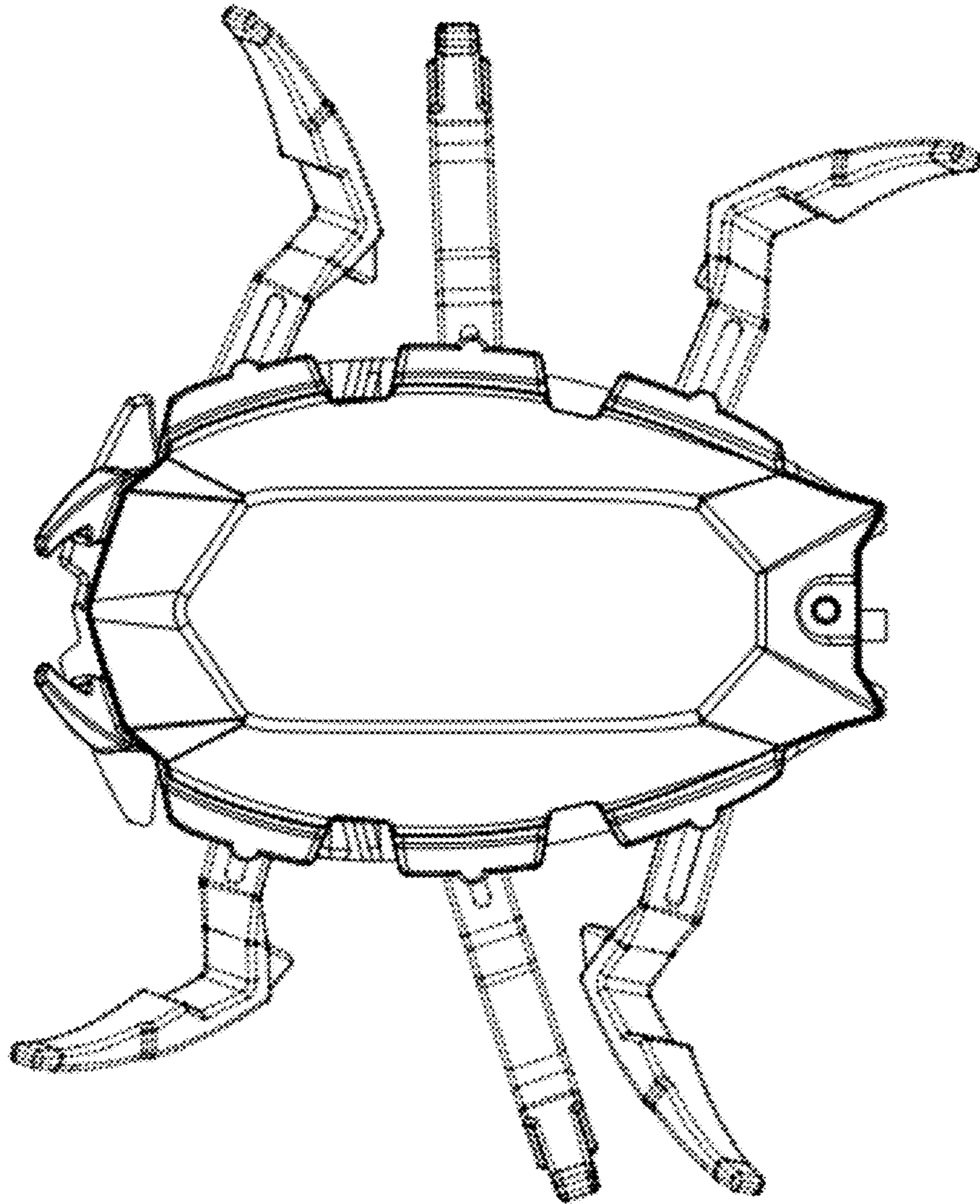


FIGURE 12

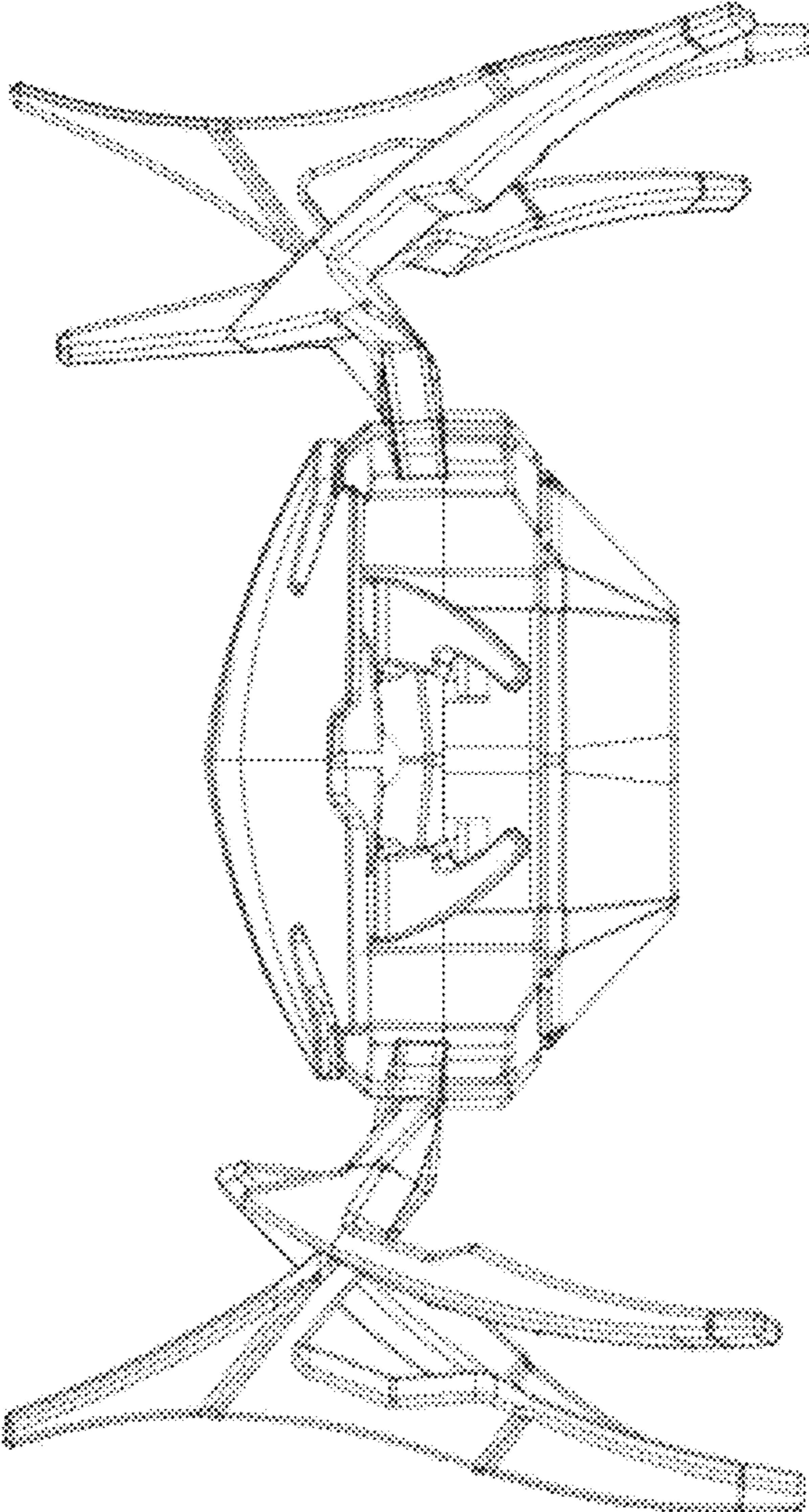


FIGURE 13

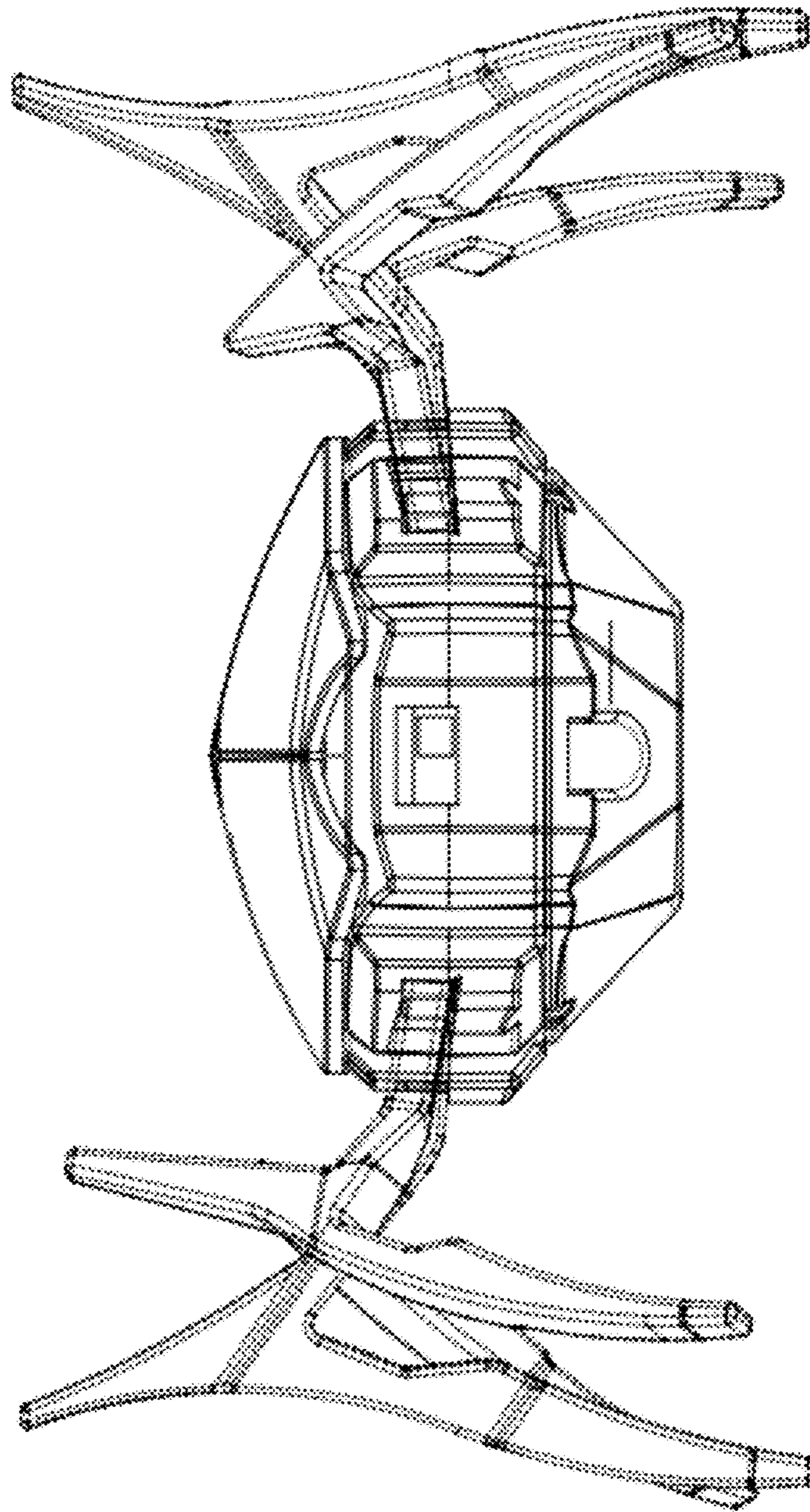


FIGURE 14

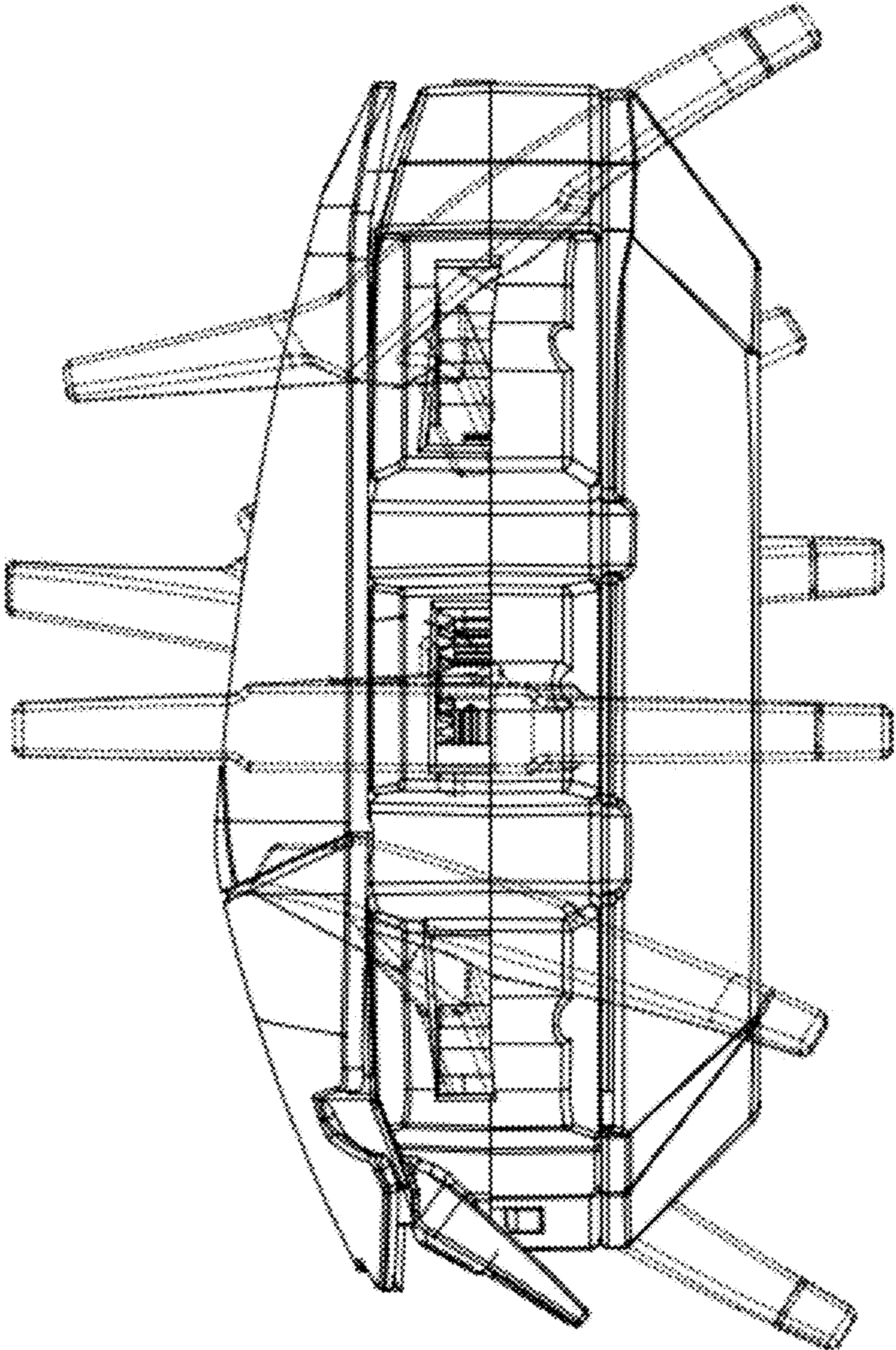


FIGURE 15

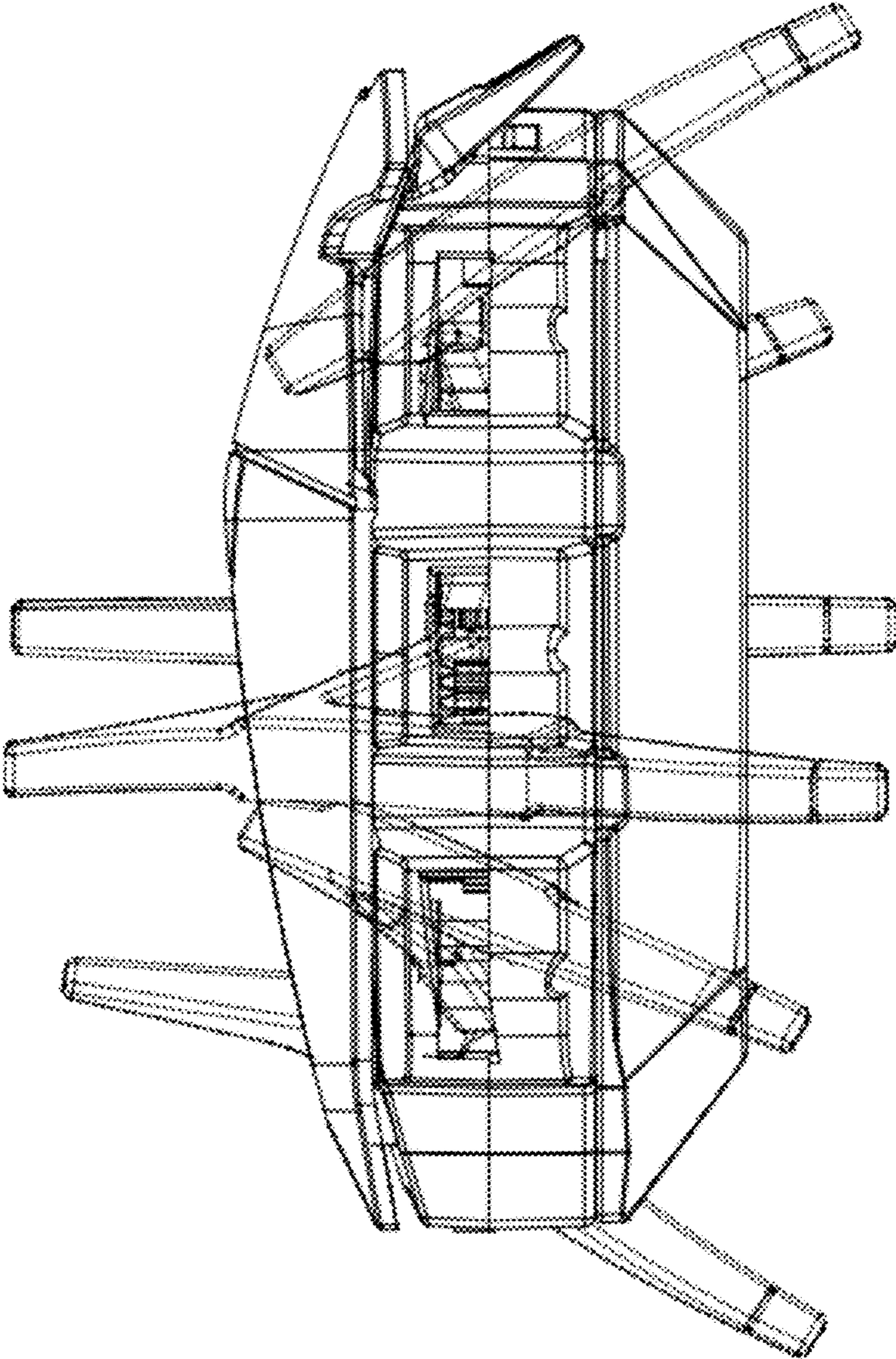


FIGURE 16