

US00D667511S

(12) **United States Design Patent**
Norman et al.

(10) **Patent No.:** **US D667,511 S**

(45) **Date of Patent:** **** Sep. 18, 2012**

(54) **UNDERCARRIAGE OF AN INSECT TOY**

(75) Inventors: **David Anthony Norman**, Greenville, TX (US); **Robert Henry Mimplitch, III**, Rowlett, TX (US); **Joel Reagan Carter**, Argyle, TX (US); **Douglas Michael Galletti**, Allen, TX (US)

(73) Assignee: **Innovation First, Inc.**, Greenville, TX (US)

(**) Term: **14 Years**

(21) Appl. No.: **29/379,053**

(22) Filed: **Nov. 12, 2010**

Related U.S. Application Data

(63) Continuation of application No. 29/362,446, filed on May 25, 2010, now Pat. No. Des. 645,526.

(51) **LOC (9) Cl.** **21-01**

(52) **U.S. Cl.** **D21/650**

(58) **Field of Classification Search** D11/157-158; D21/576, 578-579, 584-585, 650; 446/3, 446/72, 97, 268, 356, 368, 377, 484
See application file for complete search history.

(56) **References Cited**

U.S. PATENT DOCUMENTS

D289,070 S * 3/1987 Forbes et al. D21/650
D289,747 S * 5/1987 Sethares et al. D11/158
D291,711 S * 9/1987 Dixon D21/650
5,040,626 A * 8/1991 Paynter 180/8.1

D405,850 S * 2/1999 Witkin D21/650
D421,932 S * 3/2000 Hawkins et al. D11/158
D427,256 S * 6/2000 Teigiser D21/650
6,238,264 B1 * 5/2001 Kazami et al. 446/368
D456,467 S * 4/2002 Corbett D21/650
6,652,352 B1 * 11/2003 MacArthur et al. 446/356
6,681,150 B1 * 1/2004 Haga et al. 446/368
6,964,309 B2 * 11/2005 Quinn et al. 180/8.1
D517,131 S * 3/2006 Carruth D21/592
7,204,455 B2 * 4/2007 Sinclair 244/72
D555,213 S * 11/2007 Bowen et al. D21/578

* cited by examiner

Primary Examiner — Sandra Morris

(74) *Attorney, Agent, or Firm* — Fish & Richardson P.C.

(57) **CLAIM**

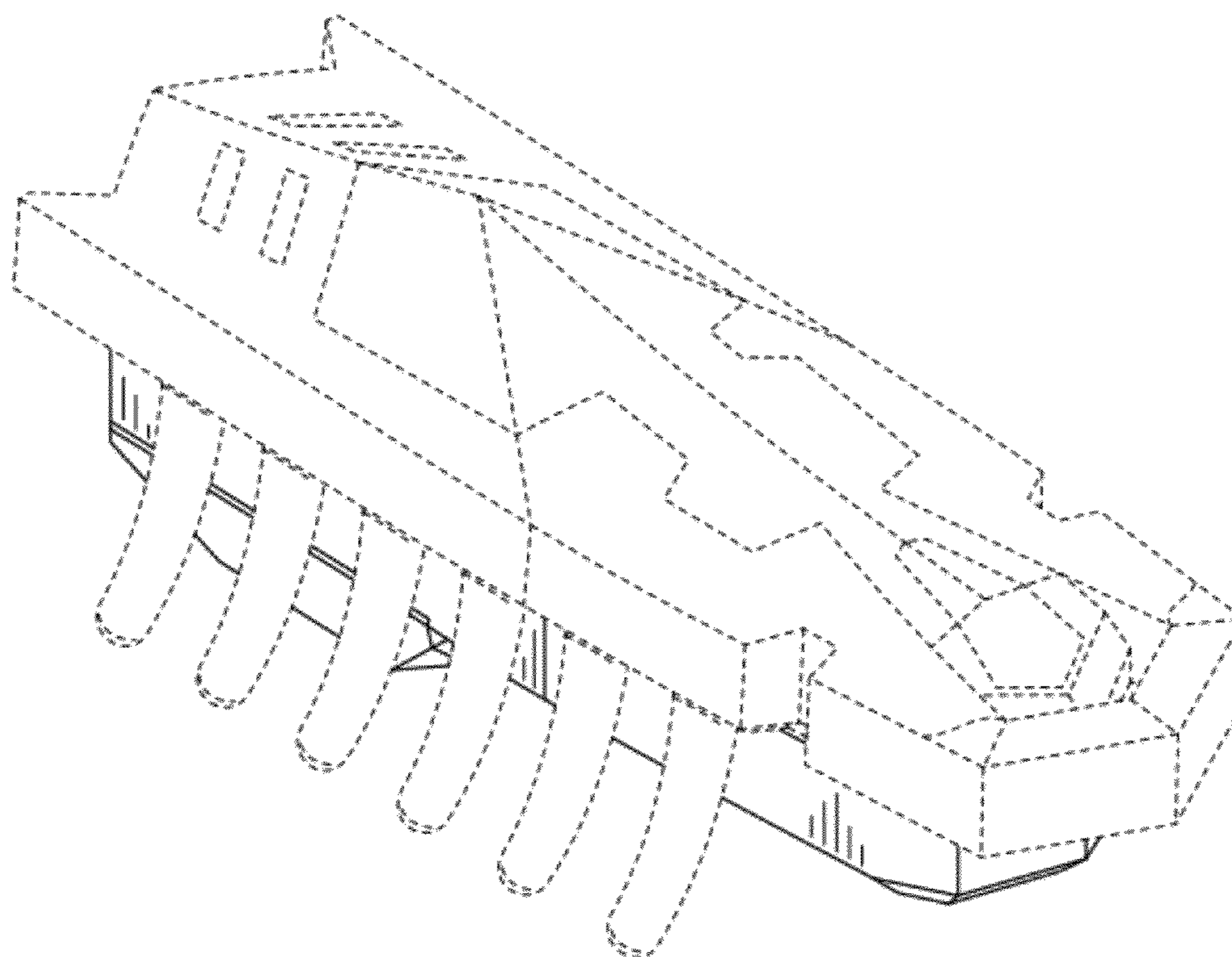
The ornamental design for an undercarriage of an insect toy, as shown and described.

DESCRIPTION

FIG. 1 is a perspective view of an insect toy showing the top, front, and left sides of my new design;
FIG. 2 is a front side view thereof;
FIG. 3 is a rear side view thereof;
FIG. 4 is a left side view thereof;
FIG. 5 is a right side view thereof;
FIG. 6 is a bottom plan view thereof;
FIG. 7 is a first bottom perspective view showing the bottom, front, and left sides thereof; and,
FIG. 8 is a second bottom perspective view showing the bottom, rear, and left sides thereof.

The broken lines are for environmental purposes only and form no part of the claimed design.

1 Claim, 5 Drawing Sheets



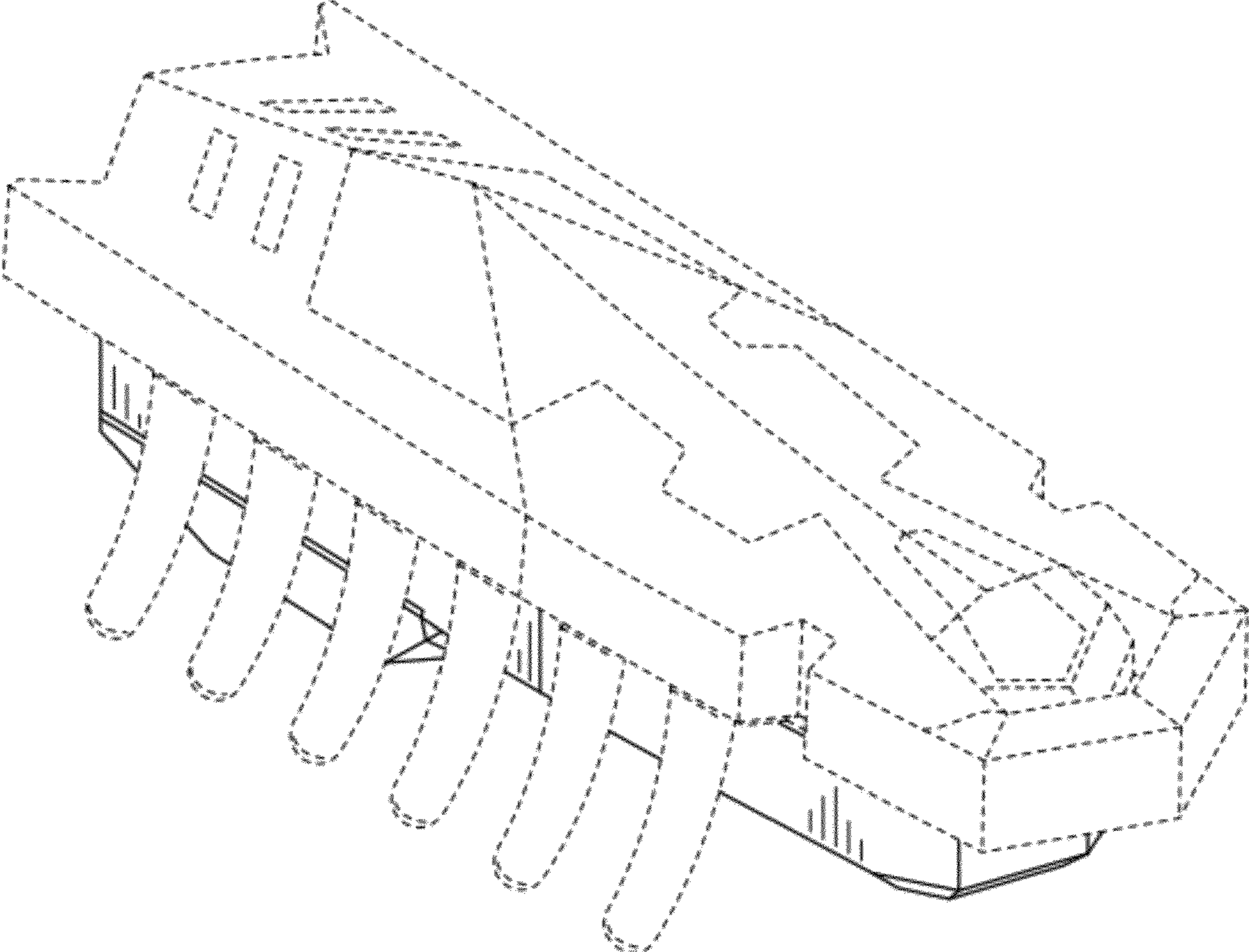


FIG. 1

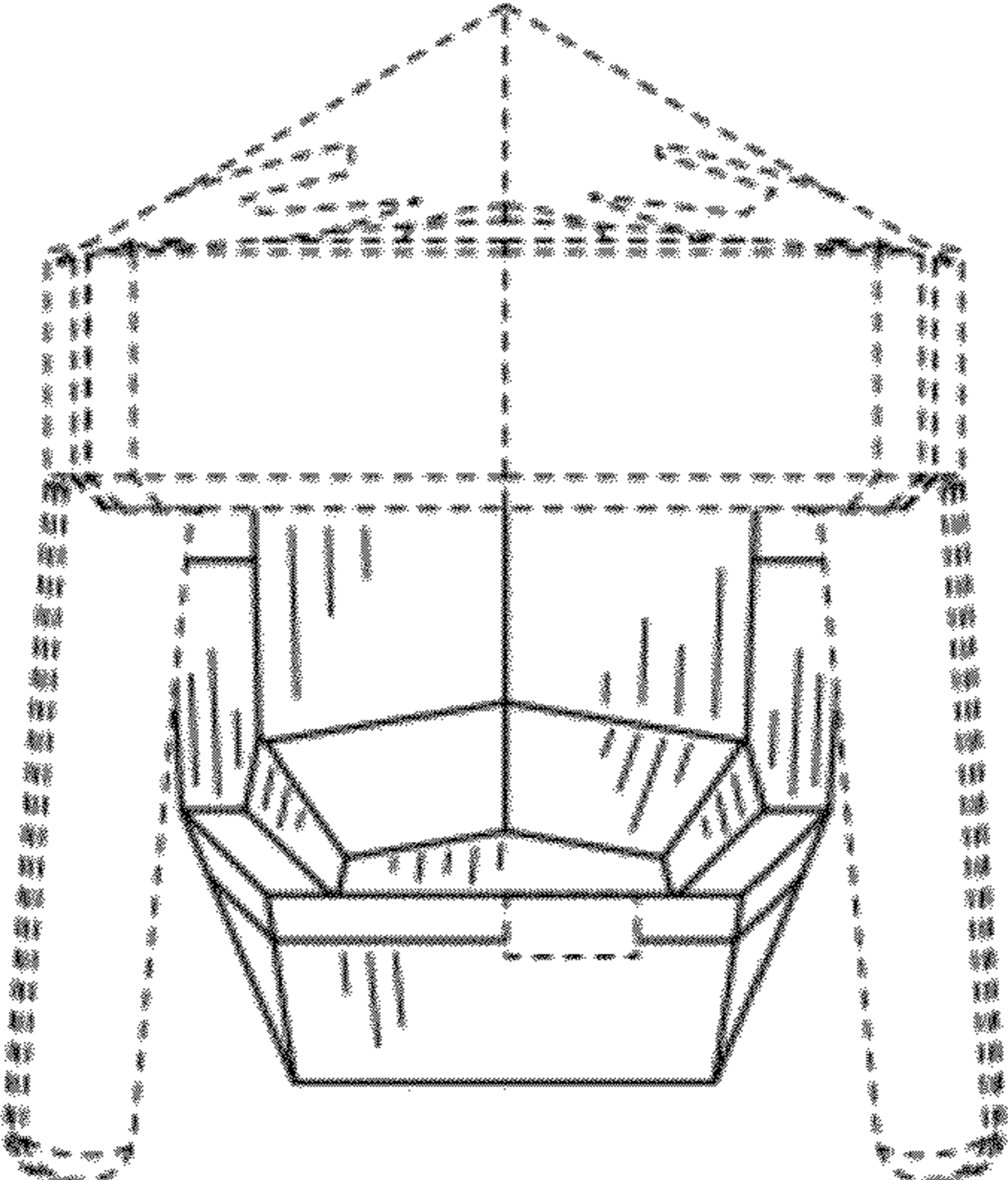


FIG. 2

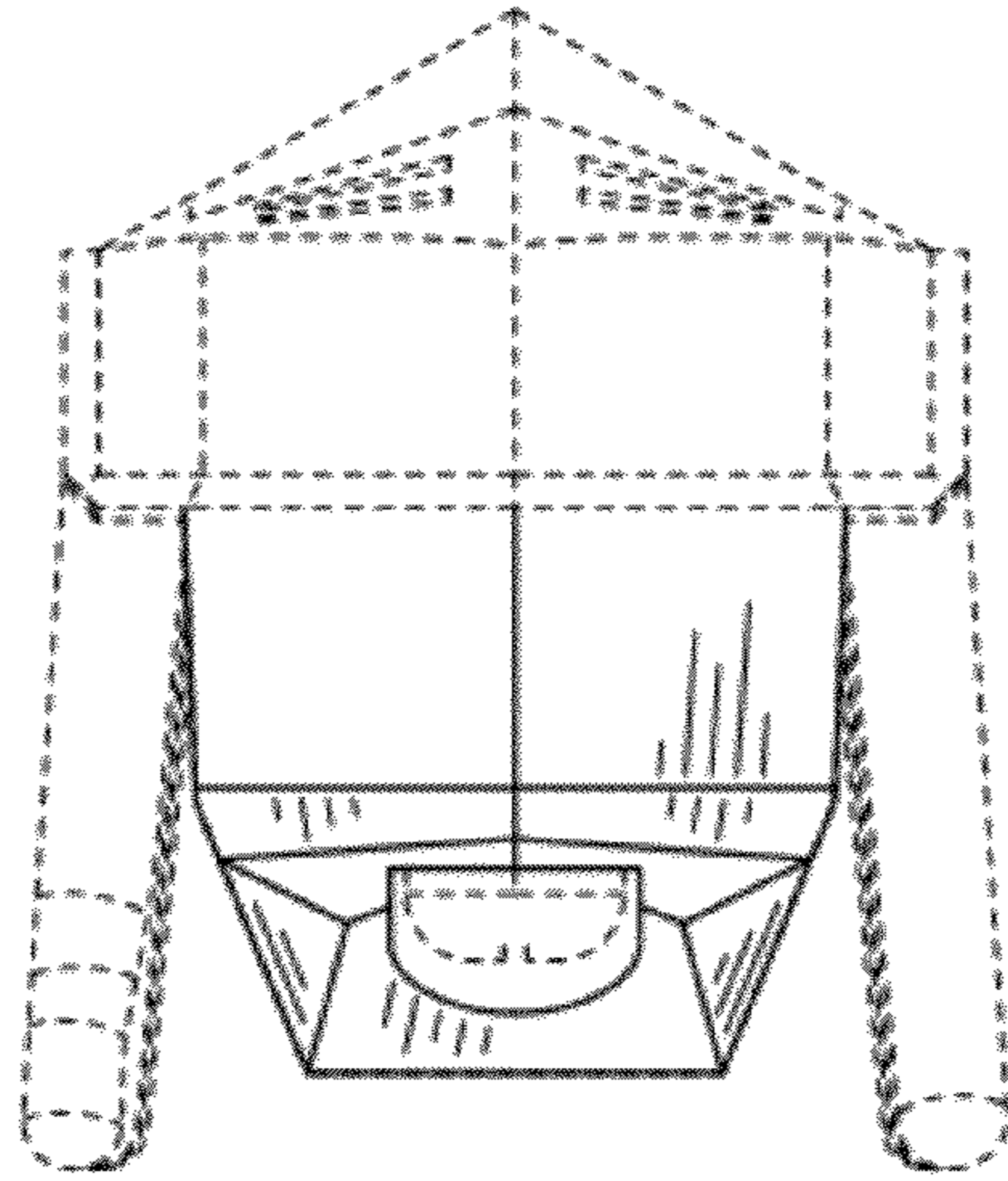


FIG. 3

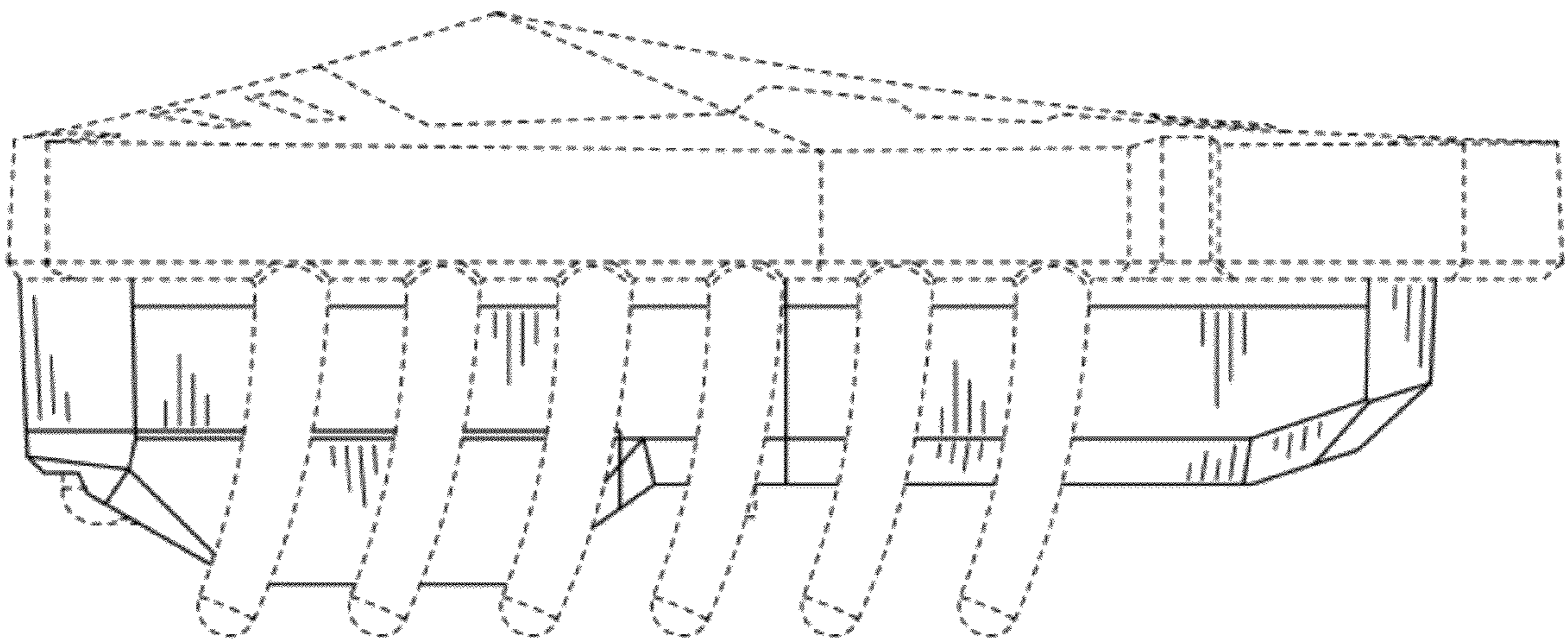


FIG. 4

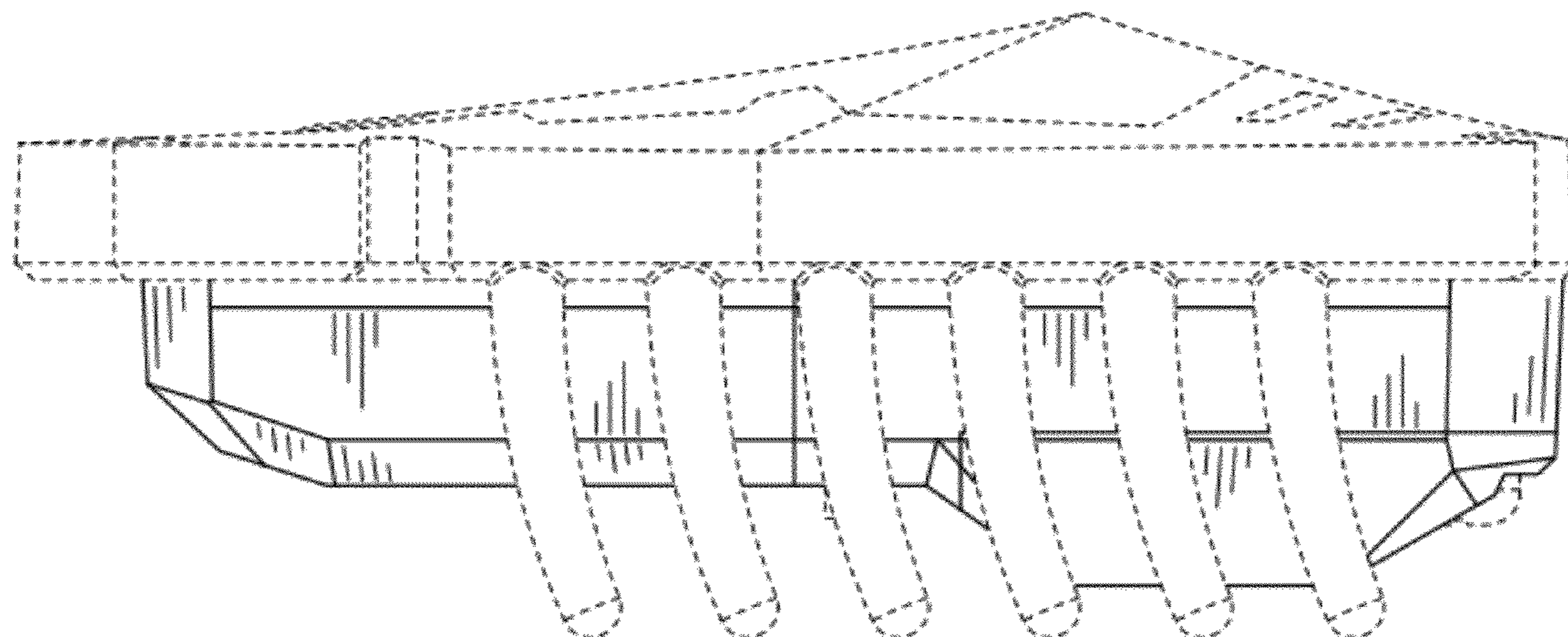


FIG. 5

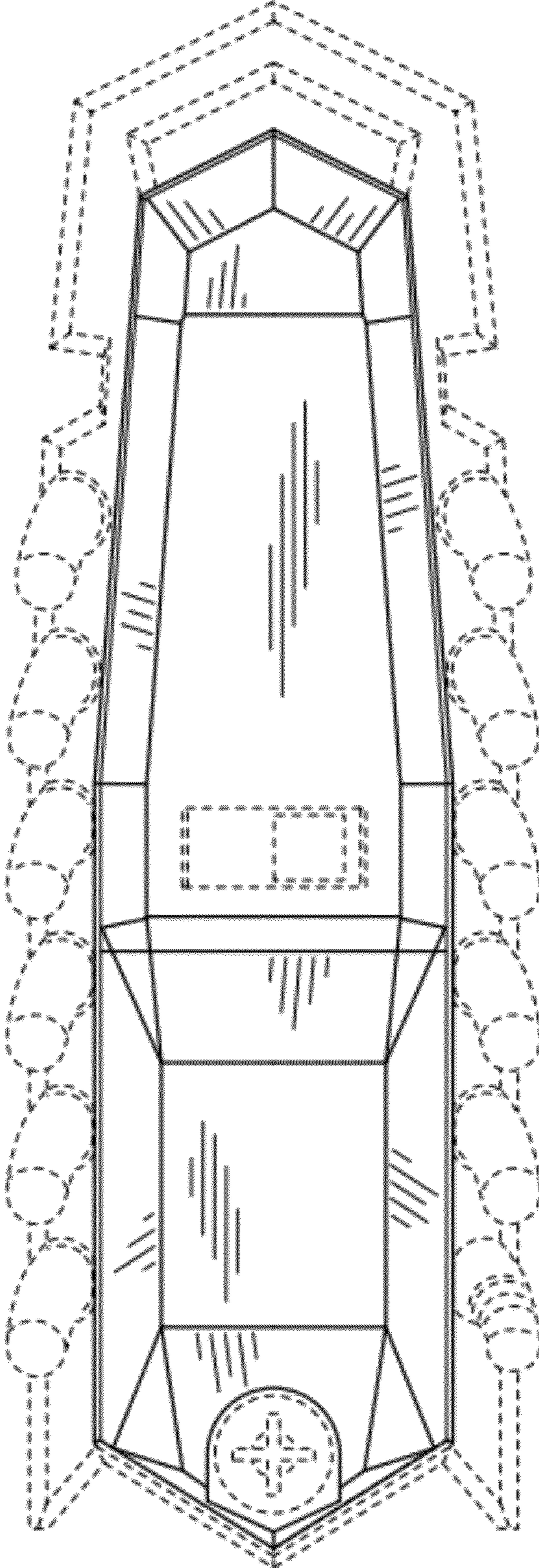


FIG. 6

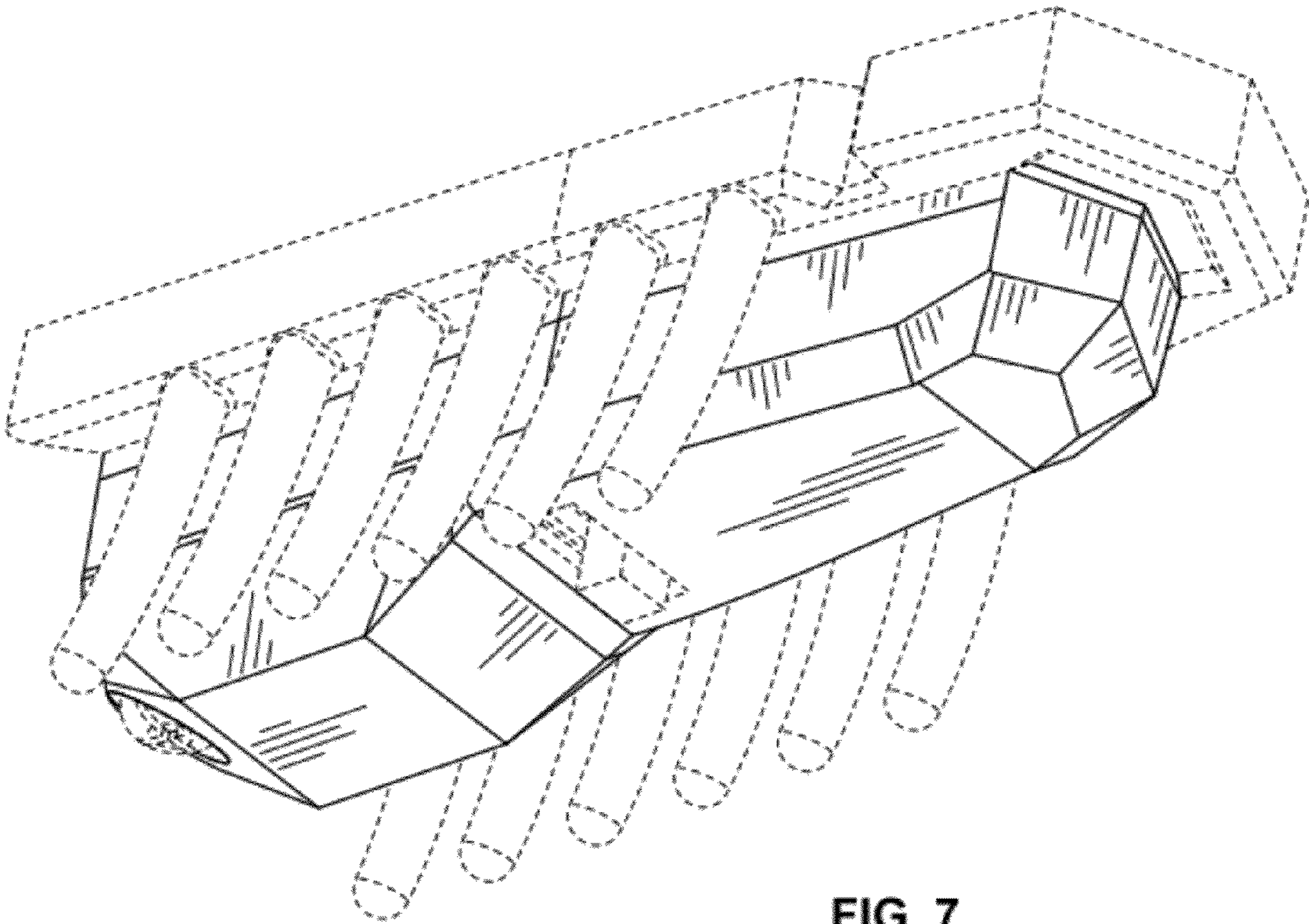


FIG. 7

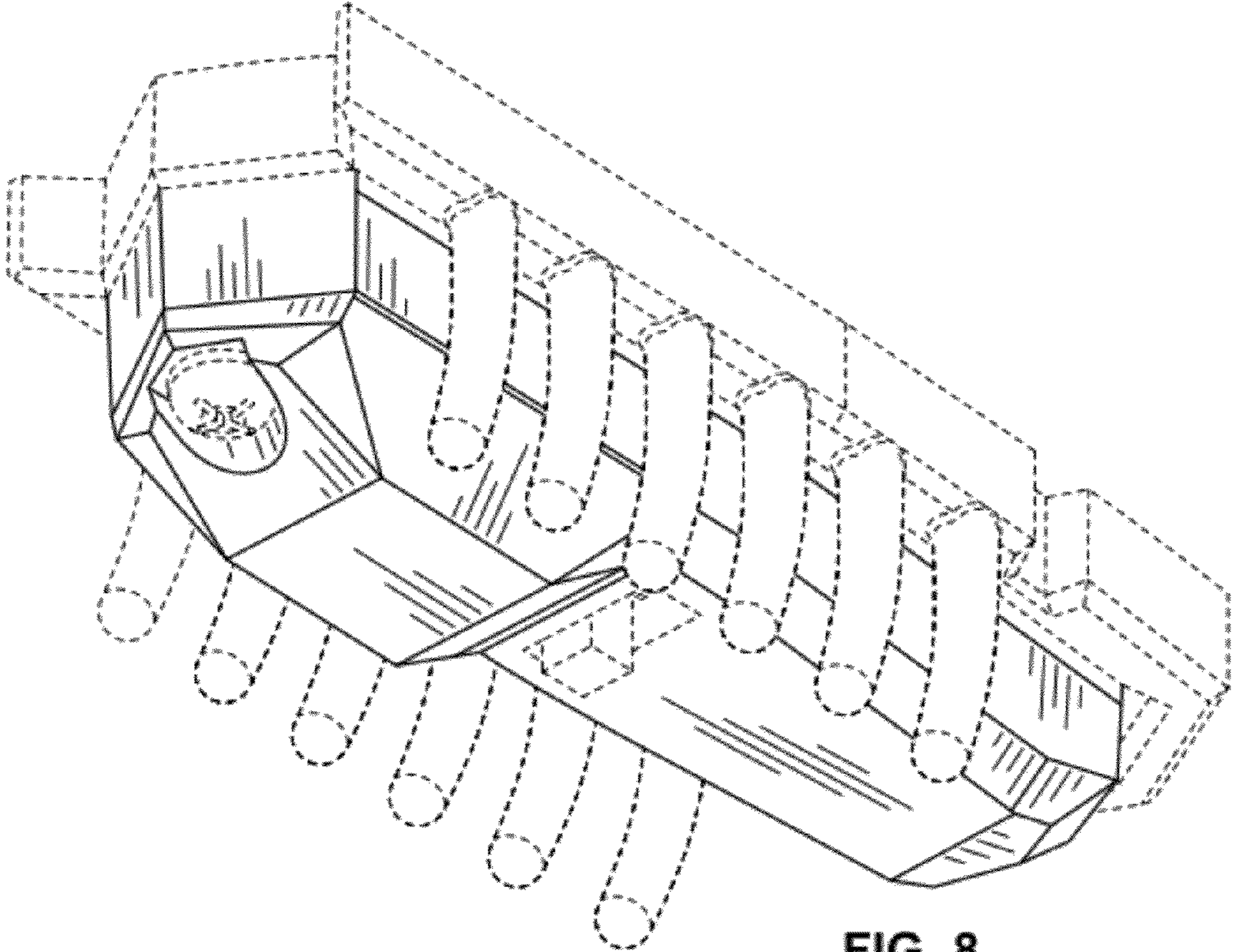


FIG. 8