

US00D667509S

(12) **United States Design Patent**  
**Mimlitch, III et al.**

(10) **Patent No.:** **US D667,509 S**

(45) **Date of Patent:** **\*\* Sep. 18, 2012**

(54) **ROBOTIC TOY CAR**

(75) Inventors: **Robert H. Mimlitch, III**, Rowlett, TX (US); **David Anthony Norman**, Greenville, TX (US); **Douglas Michael Galletti**, Allen, TX (US); **Raul Olivera**, Greenville, TX (US); **James Anthony Trzaskos**, Massena, NY (US)

(73) Assignee: **Innovation First, Inc.**, Greenville, TX (US)

(\*\*) Term: **14 Years**

(21) Appl. No.: **29/413,172**

(22) Filed: **Feb. 13, 2012**

(51) **LOC (9) Cl.** ..... **21-01**

(52) **U.S. Cl.** ..... **D21/550**

(58) **Field of Classification Search** ..... D21/533,  
D21/548, 549, 550, 561, 562, 433; D12/82,  
D12/86, 88, 89, 90, 91, 92, 93; 446/444-447,  
446/452, 465, 468, 470, 471, 431, 454-456;  
254/423; 238/10 F

See application file for complete search history.

(56) **References Cited**

**U.S. PATENT DOCUMENTS**

3,064,994	A	11/1962	Limmer	
3,535,821	A *	10/1970	Ieda	446/441
3,860,216	A	1/1975	Brown	
3,948,520	A *	4/1976	Barlow	446/446
3,950,889	A *	4/1976	Dabney	446/212
D243,235	S	2/1977	Buxbom	
4,021,962	A *	5/1977	Axryd	446/445
4,099,628	A	7/1978	Richardson	
4,326,465	A *	4/1982	Forrest	104/165

D272,482	S	1/1984	Verschoor	
D276,740	S	12/1984	Stockvis	
4,568,300	A *	2/1986	Rasmussen et al.	446/129
4,795,154	A *	1/1989	Lahr	238/10 F
D301,655	S	6/1989	Otte	
5,165,347	A *	11/1992	Wagner	446/444
D335,740	S	5/1993	Fujimoto et al.	
5,232,154	A *	8/1993	Jenkins et al.	238/10 F
5,722,641	A *	3/1998	Martin et al.	254/423
D437,309	S *	2/2001	Brennan	D21/548
6,439,955	B1 *	8/2002	Feketo	446/444

(Continued)

**FOREIGN PATENT DOCUMENTS**

AU 146475 1/2002

(Continued)

*Primary Examiner* — Cynthia M Chin

(74) *Attorney, Agent, or Firm* — Adam K. Sacharoff

(57) **CLAIM**

The ornamental design for a robotic toy car, as shown and described.

**DESCRIPTION**

FIG. 1 is a top perspective view showing a robotic toy car;

FIG. 2 is a bottom perspective view of FIG. 1;

FIG. 3 is a top side view of FIG. 1;

FIG. 4 is a bottom side view of FIG. 1;

FIG. 5 is a front side view of FIG. 1;

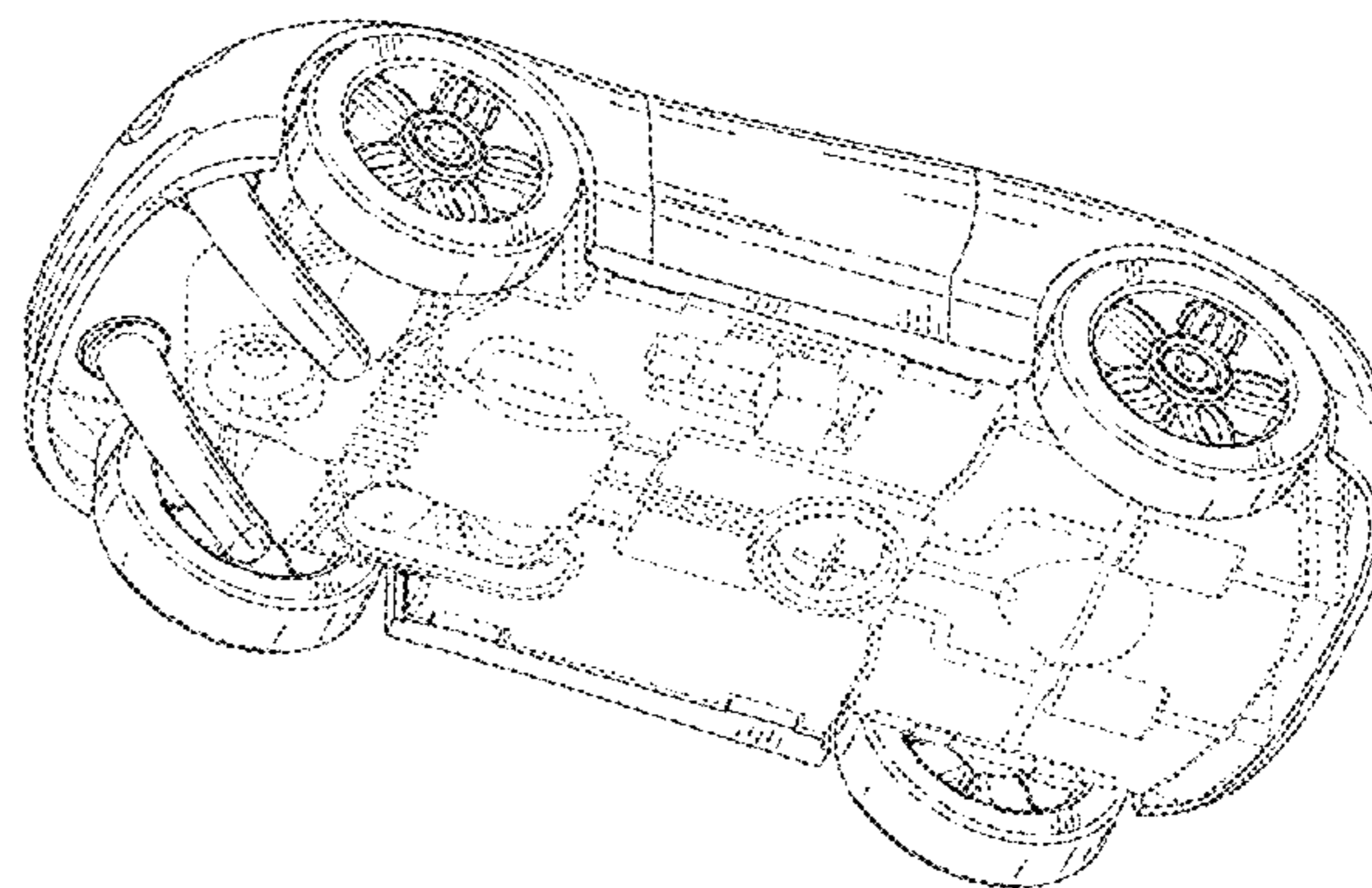
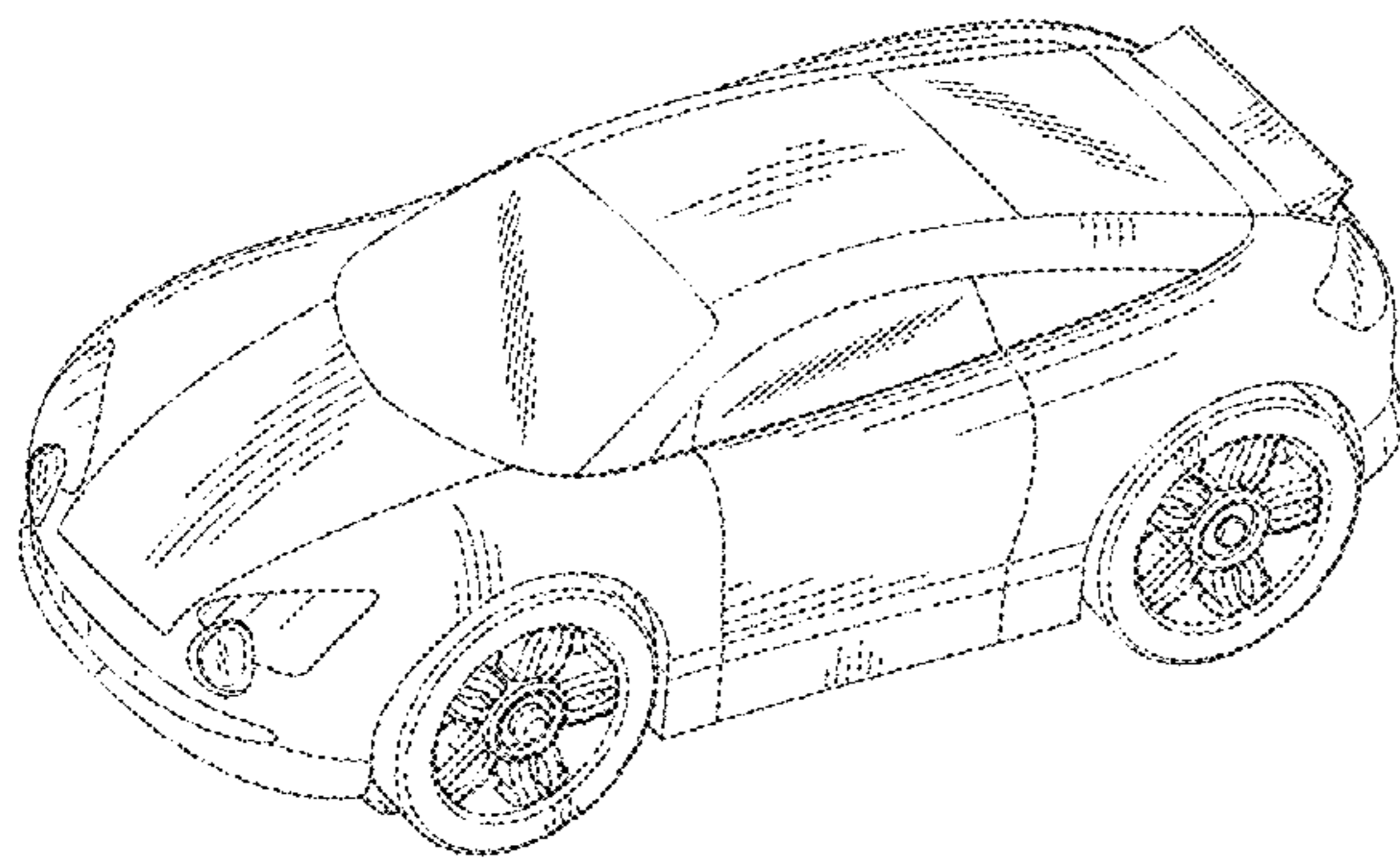
FIG. 6 is a back side view of FIG. 1;

FIG. 7 is a right side view of FIG. 1; and,

FIG. 8 is a left side view of FIG. 1.

The broken lines are for the purpose of illustrating portions of the environmental structure and forms no part of the claimed embodiment and design.

**1 Claim, 7 Drawing Sheets**



# US D667,509 S

Page 2

---

## U.S. PATENT DOCUMENTS

6,648,723 B2 \* 11/2003 Clark et al. .... 446/444  
D490,863 S \* 6/2004 Ramaciotti ..... D21/548  
6,895,648 B1 5/2005 Willett  
6,910,680 B1 \* 6/2005 Geller ..... 254/423  
6,991,221 B1 1/2006 Rodriguez  
7,025,656 B2 \* 4/2006 Bailey ..... 446/444  
D535,708 S \* 1/2007 Yuen ..... D21/548  
D554,711 S \* 11/2007 Yuen ..... D21/548  
7,290,799 B2 \* 11/2007 Santos ..... 254/423  
D603,839 S \* 11/2009 Willis ..... D21/549

7,637,797 B2 \* 12/2009 Dieckmann ..... 446/444  
2002/0100901 A1 \* 8/2002 Topelberg et al. .... 254/423  
2005/0127343 A1 \* 6/2005 Jackson et al. .... 254/423

## FOREIGN PATENT DOCUMENTS

CA 87782 10/1999  
EM 000100938-0001 11/2003  
EM 000516661-0001 4/2006  
EM 001258917-0016 5/2011

\* cited by examiner

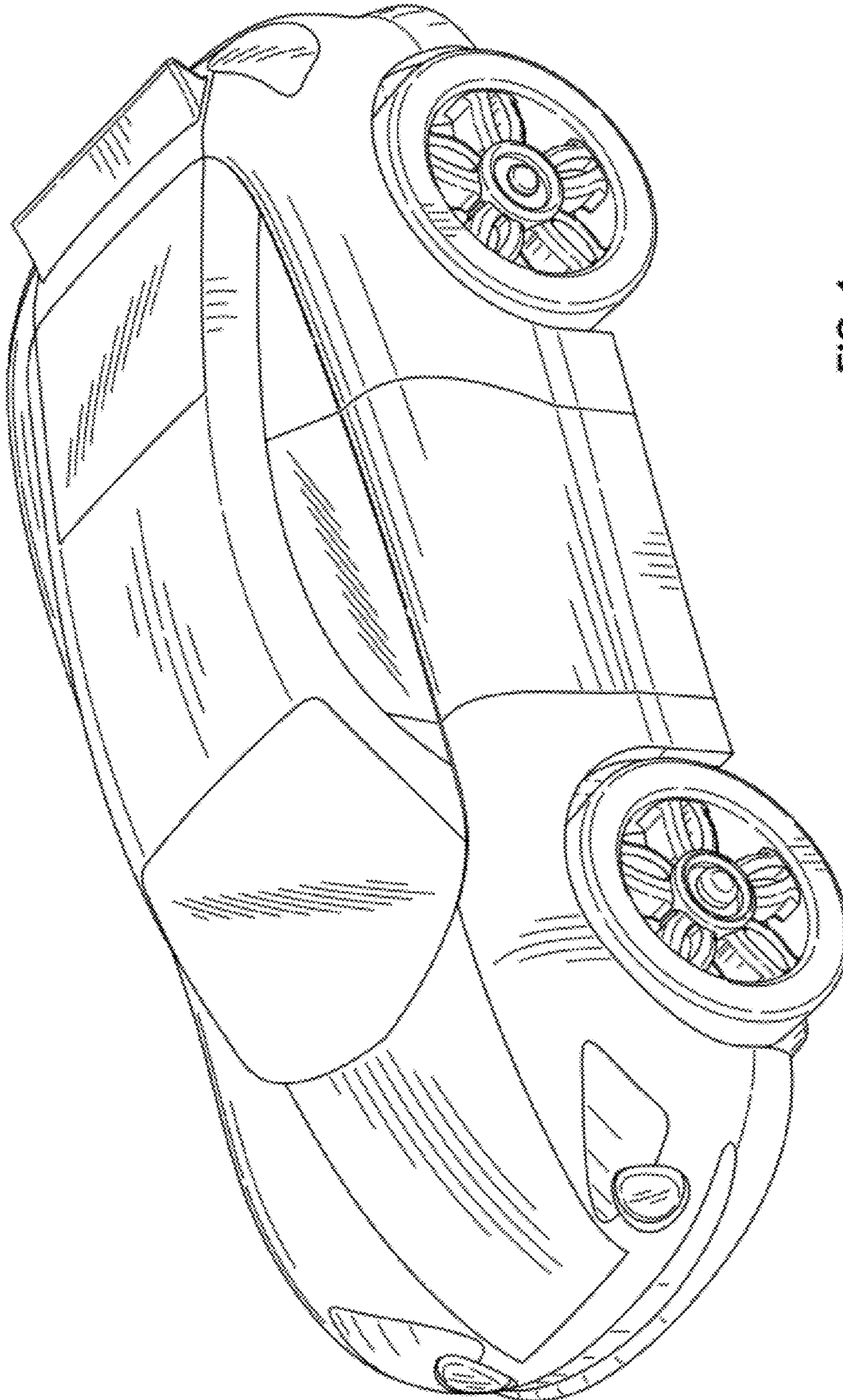


FIG. 1

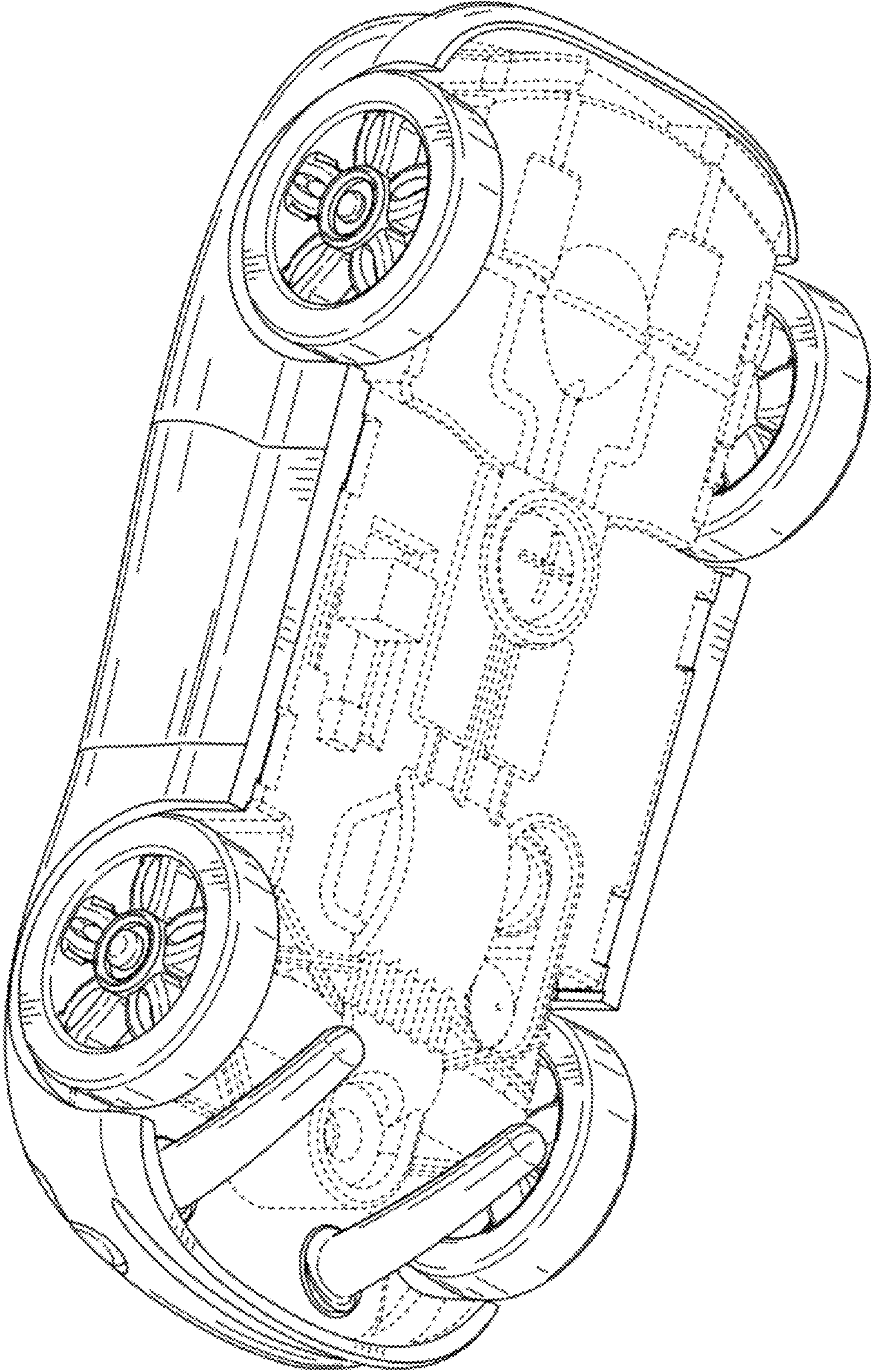


FIG. 2

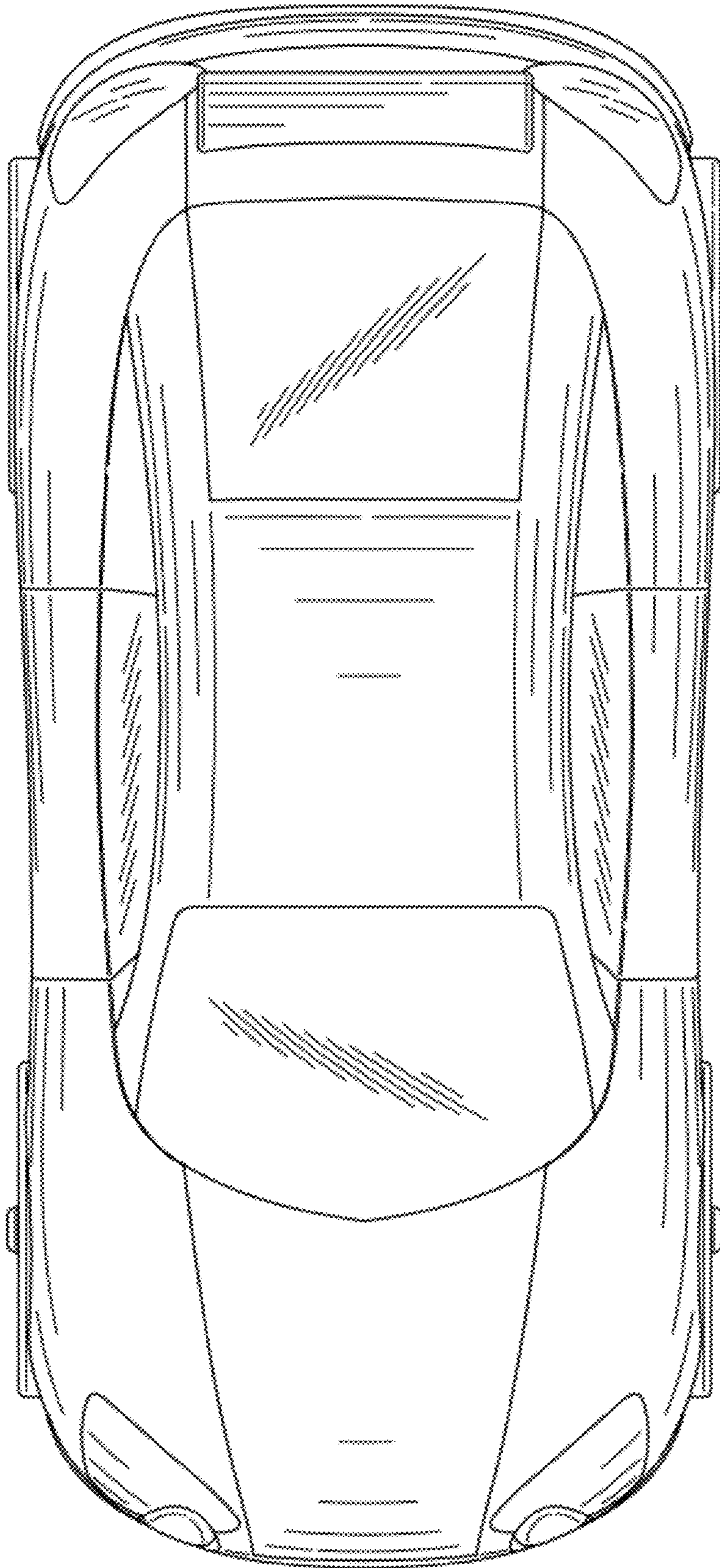


FIG. 3

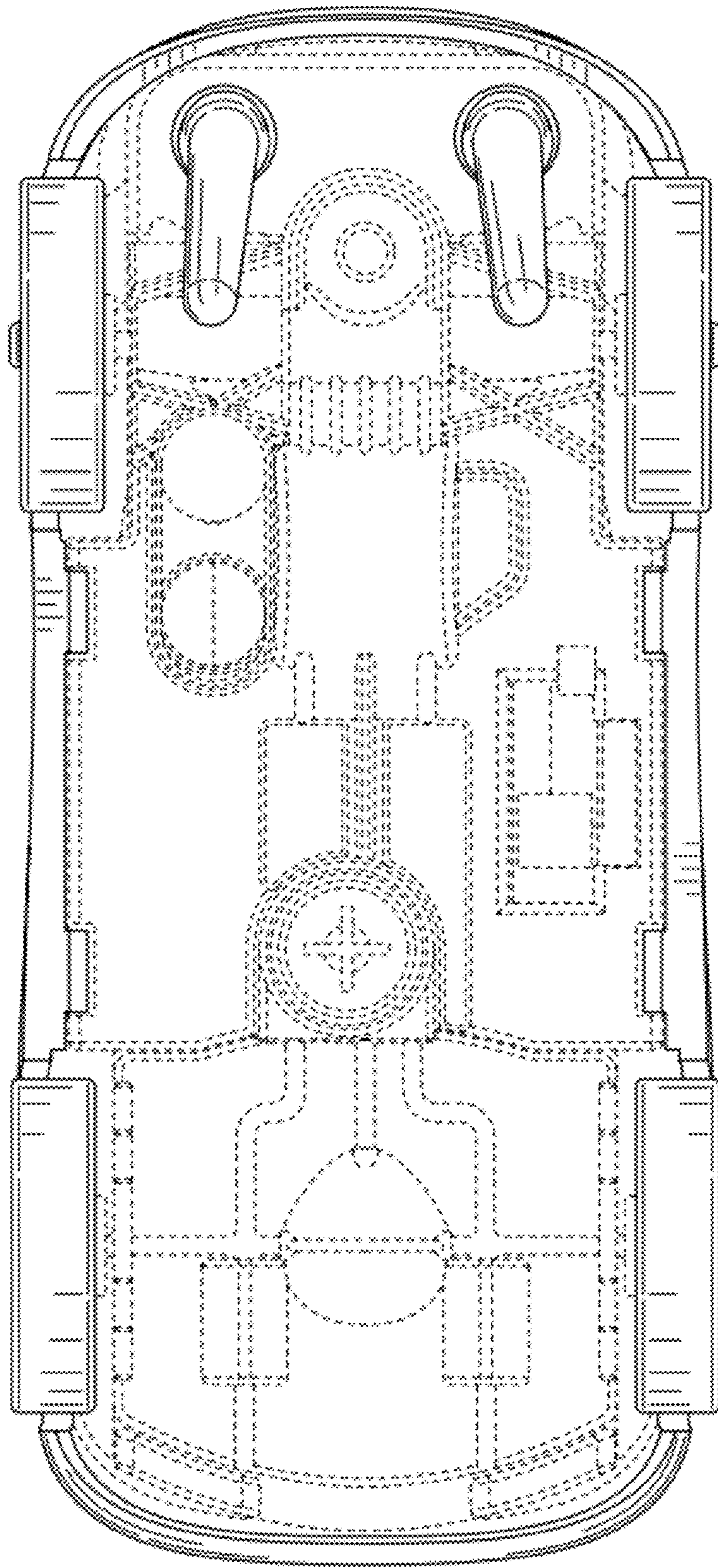


FIG. 4

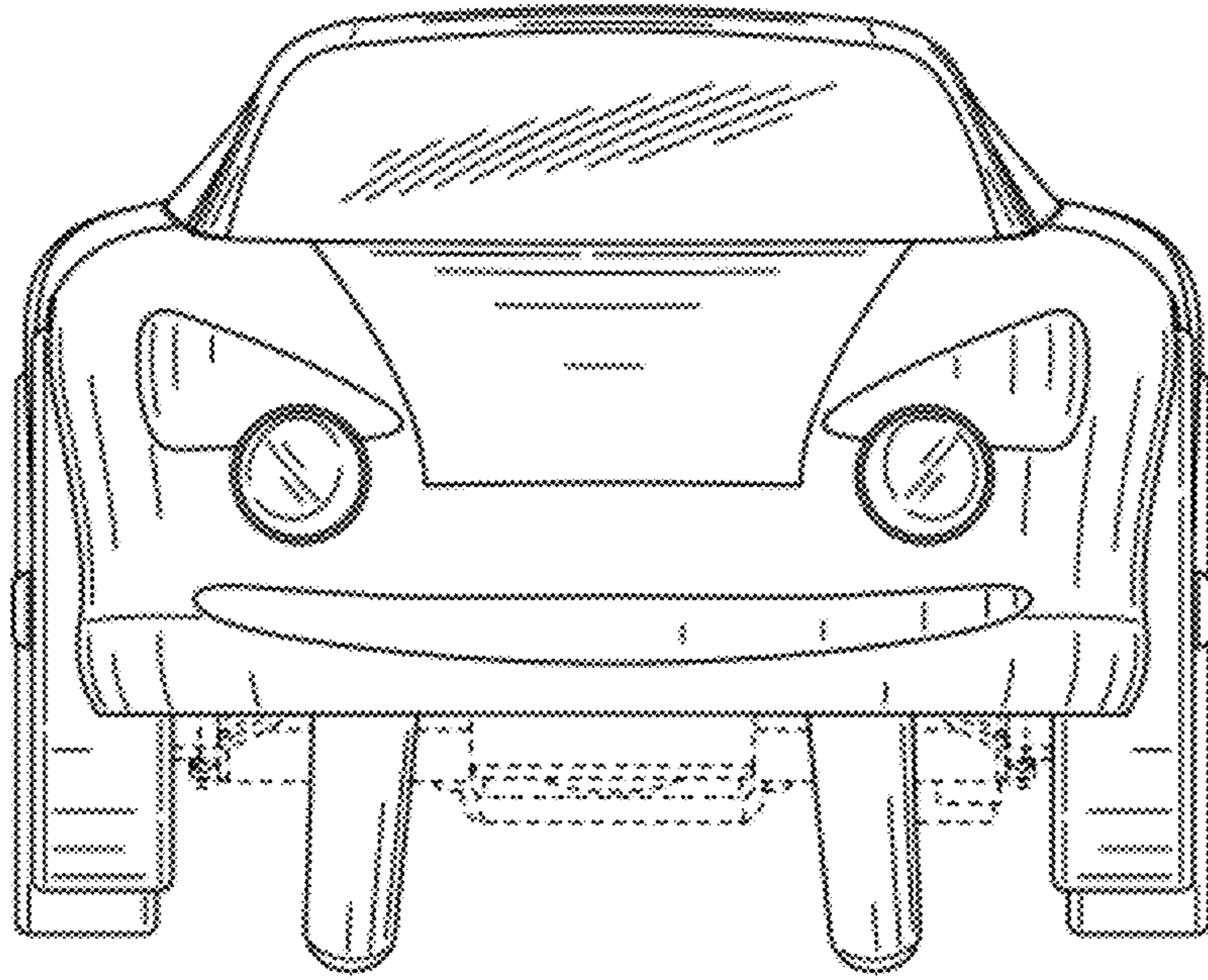


FIG. 5

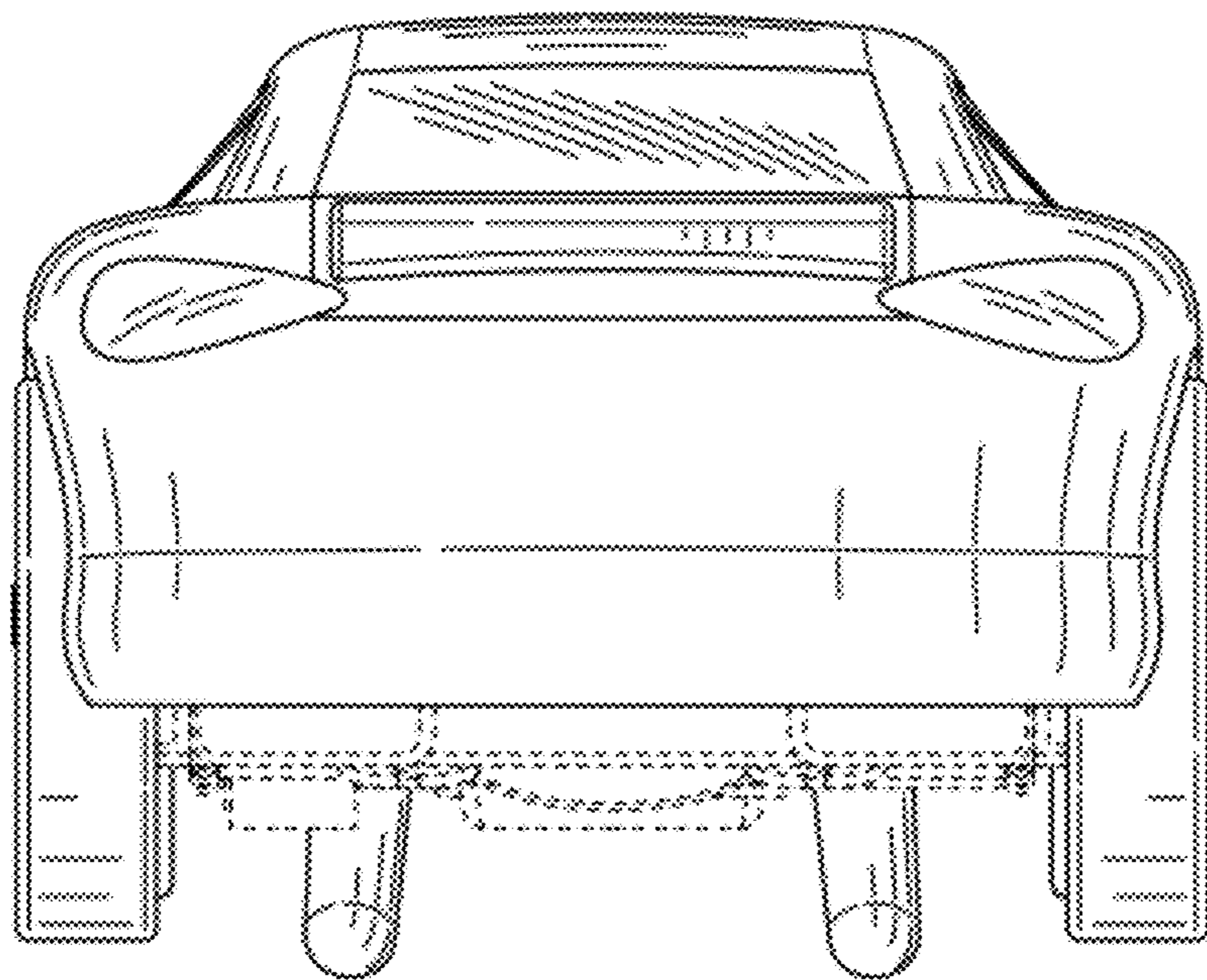


FIG. 6

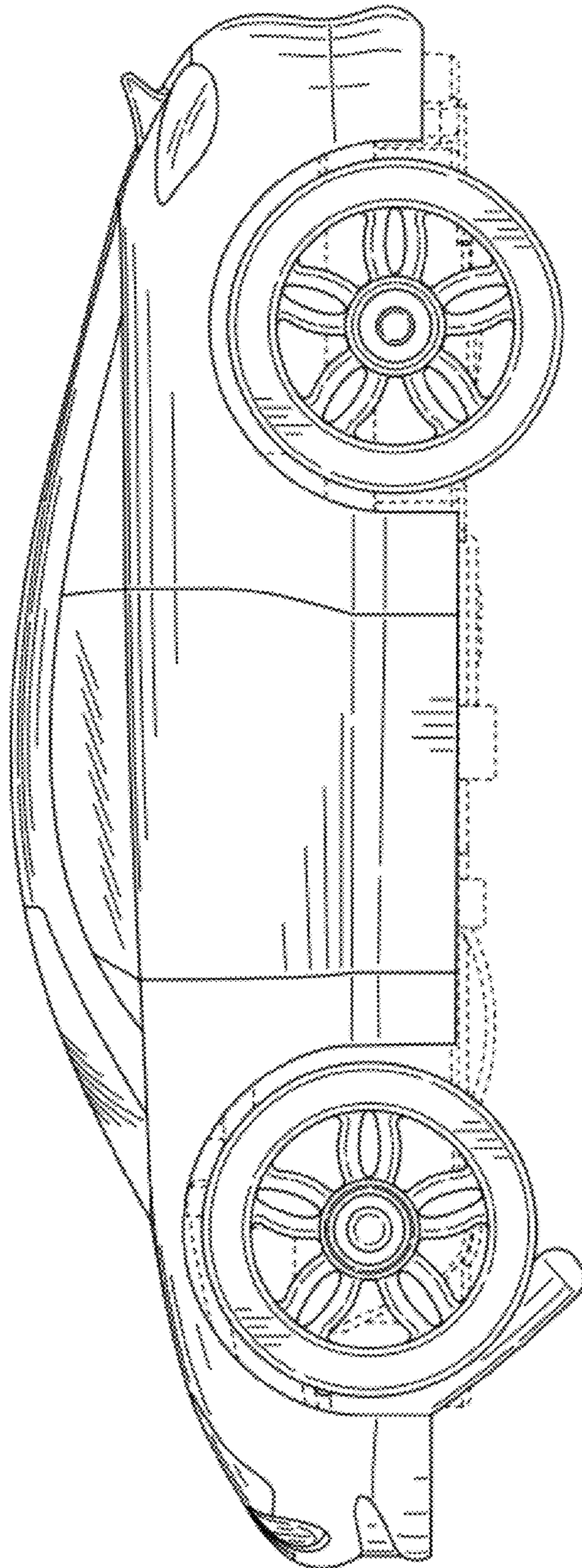


FIG. 7



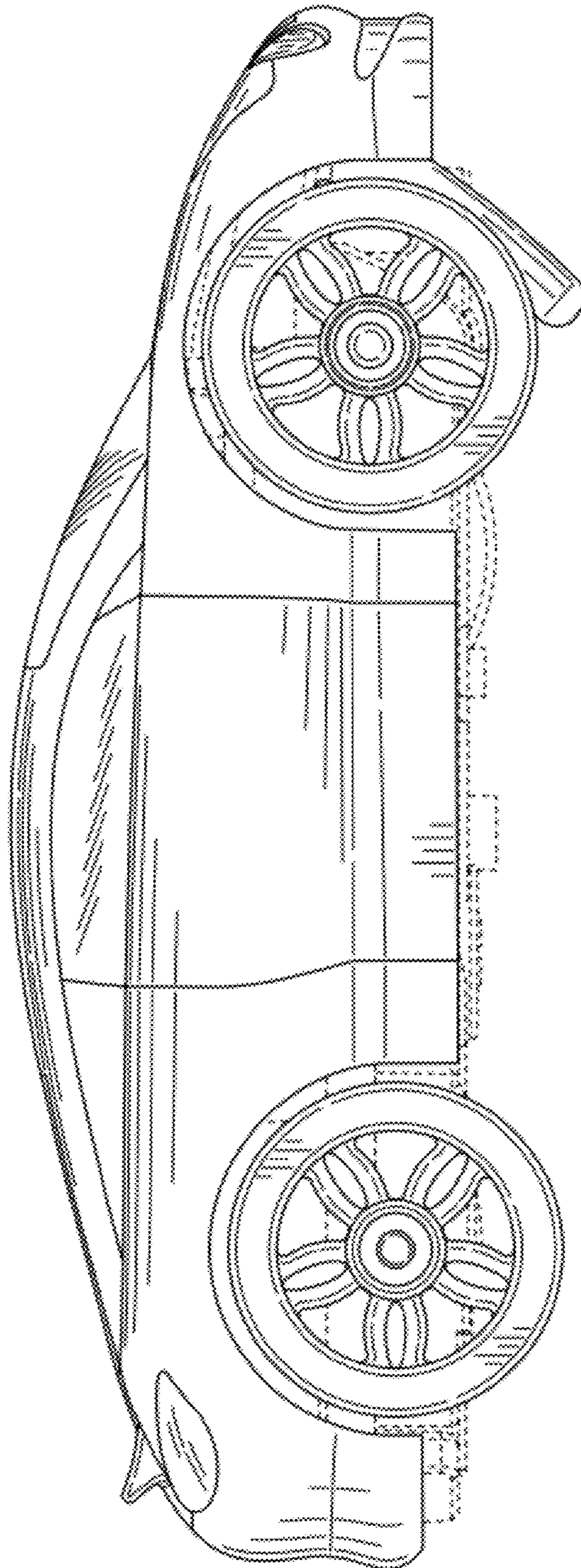


FIG. 8