

US00D667508S

(12) **United States Design Patent**
Frederiksen

(10) **Patent No.:** **US D667,508 S**

(45) **Date of Patent:** **** Sep. 18, 2012**

(54) **ELEMENT FOR TOY CONSTRUCTION SET**

(75) Inventor: **Jens Kronvold Frederiksen**, Billund (DK)

(73) Assignee: **Lego A/S**, Billund (DK)

(**) Term: **14 Years**

(21) Appl. No.: **29/366,761**

(22) Filed: **Jul. 29, 2010**

(30) **Foreign Application Priority Data**

Feb. 2, 2010 (EM) 001664368

(51) **LOC (9) Cl.** **21-01**

(52) **U.S. Cl.** **D21/503**

(58) **Field of Classification Search** D21/484,
D21/485, 486, 489, 490, 491, 492, 493, 494,
D21/495, 497, 499, 500-504; 446/69, 85,
446/102-128; 434/208, 259, 403; 273/153,
273/156, 160; 428/174

See application file for complete search history.

(56) **References Cited**

U.S. PATENT DOCUMENTS

D272,255 S * 1/1984 Chatani et al. D21/502
D315,376 S * 3/1991 Meyer D21/502
D317,635 S * 6/1991 Eggert et al. D21/492
D318,696 S * 7/1991 Hoyer et al. D21/503

D319,267 S * 8/1991 Hoyer et al. D21/503
D332,471 S * 1/1993 Rahbek D21/503
D332,644 S * 1/1993 Rahbek D21/503
D335,158 S * 4/1993 Rahbek D21/492
D335,161 S * 4/1993 Rahbek D21/492
D335,162 S * 4/1993 Knudsen D21/505
D354,526 S * 1/1995 Ryaa et al. D21/489
D361,100 S * 8/1995 Skov et al. D21/503
D362,694 S * 9/1995 Sorensen D21/503
D409,685 S * 5/1999 Toft D21/503
D512,748 S * 12/2005 Hageman D21/503
D588,210 S * 3/2009 Croston et al. D21/503
D641,054 S * 7/2011 Clausen D21/503

* cited by examiner

Primary Examiner — Cynthia M Chin

(74) *Attorney, Agent, or Firm* — Day Pitney LLP

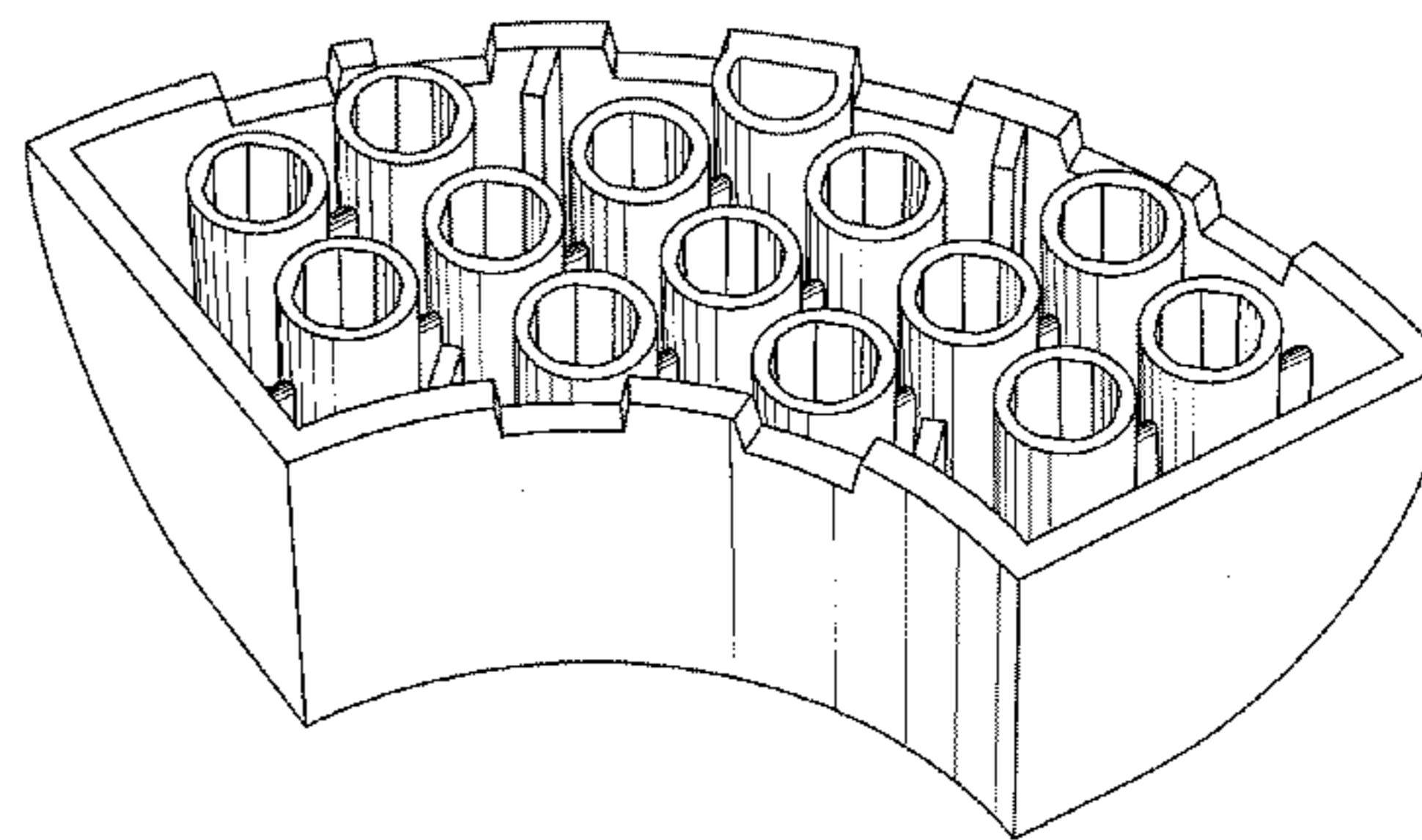
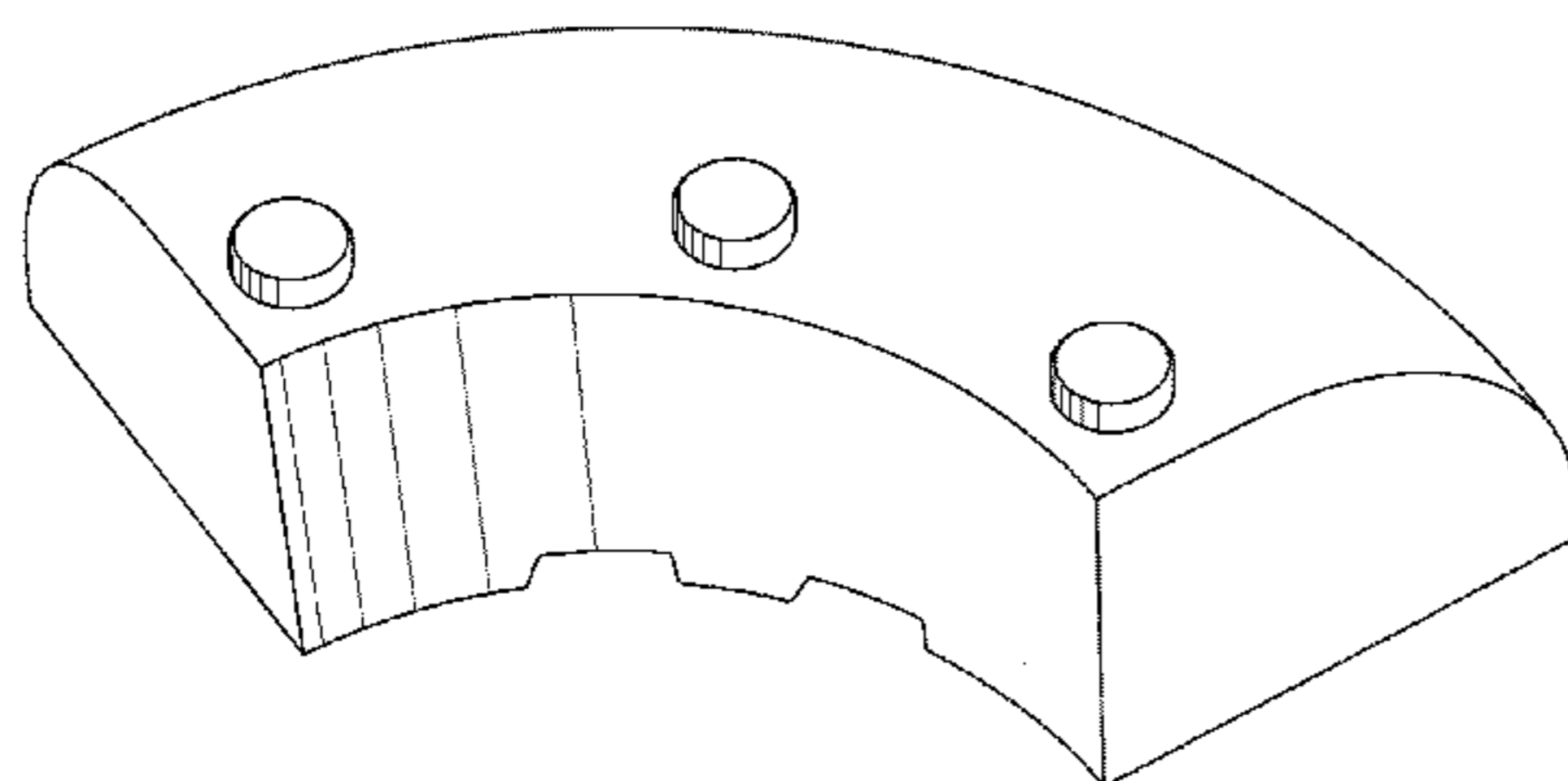
(57) **CLAIM**

The ornamental design for an element for toy construction set, as shown and described.

DESCRIPTION

FIG. 1 is a top perspective view of my ornamental design for an element for toy construction set;
FIG. 2 is a bottom perspective view thereof;
FIG. 3 is a top plan view thereof;
FIG. 4 is a bottom plan view thereof;
FIG. 5 is a front view thereof;
FIG. 6 is a left side view thereof;
FIG. 7 is a right side view thereof; and,
FIG. 8 is a rear view thereof.

1 Claim, 8 Drawing Sheets



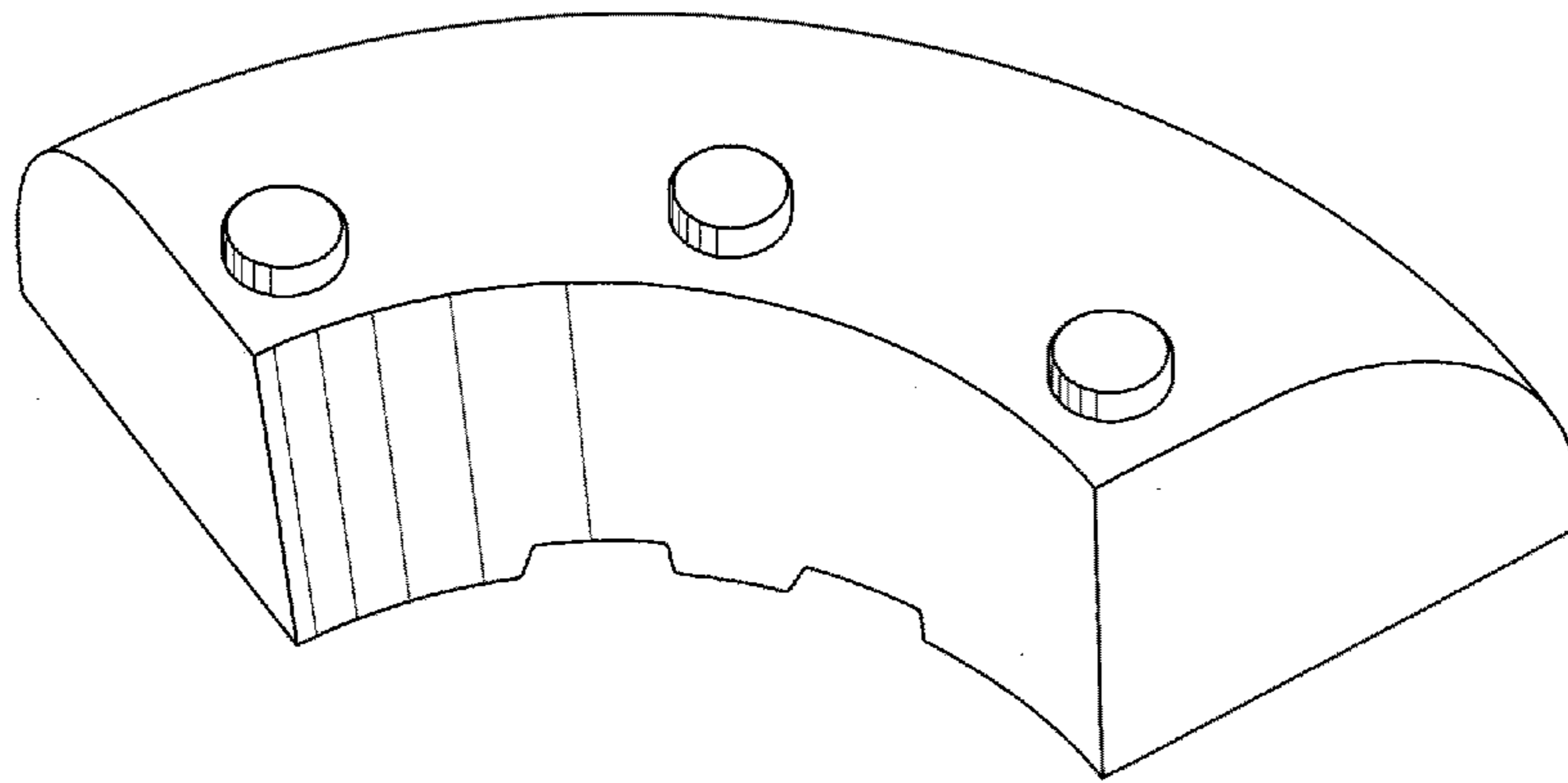


Fig. 1

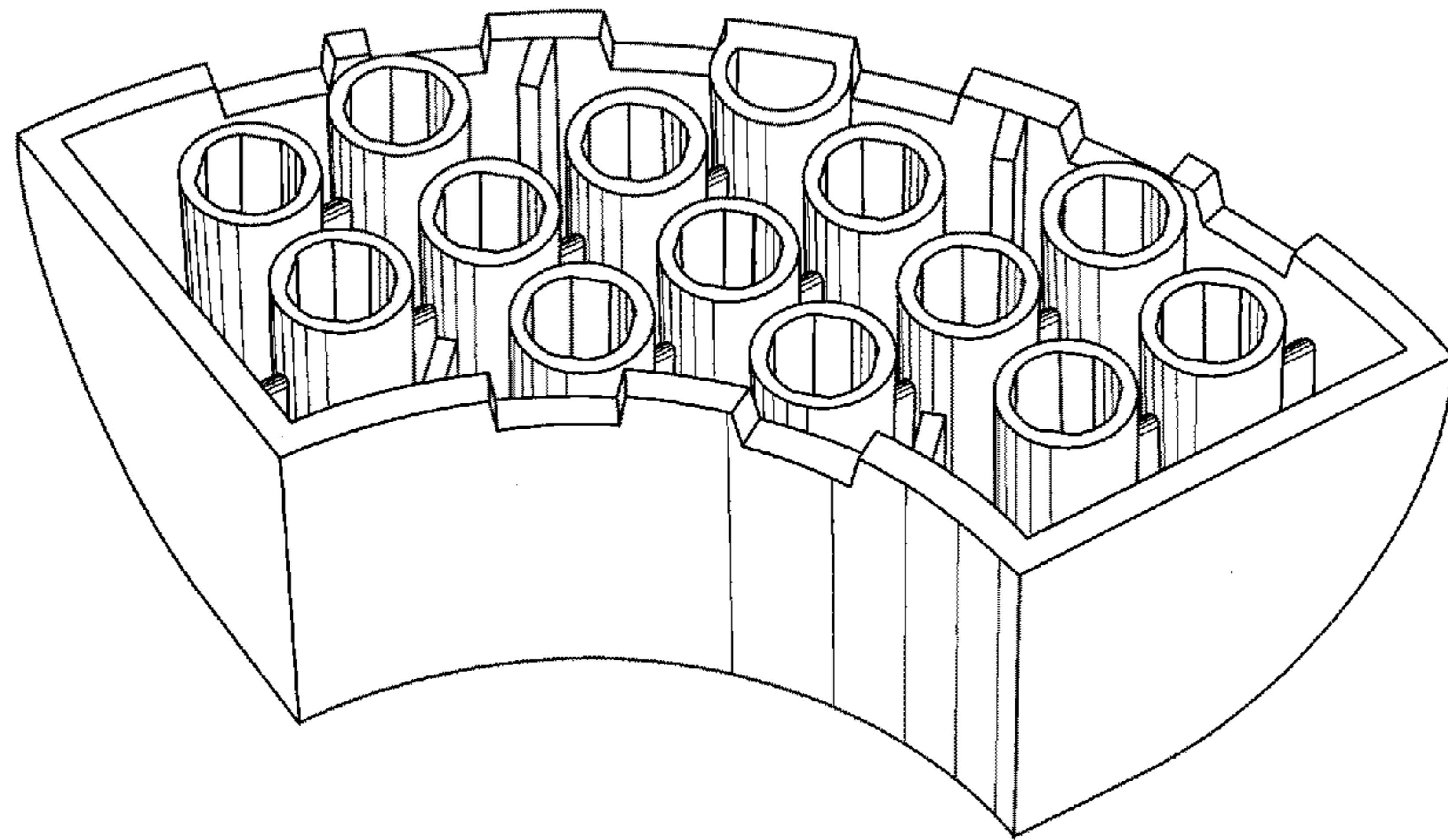


Fig. 2

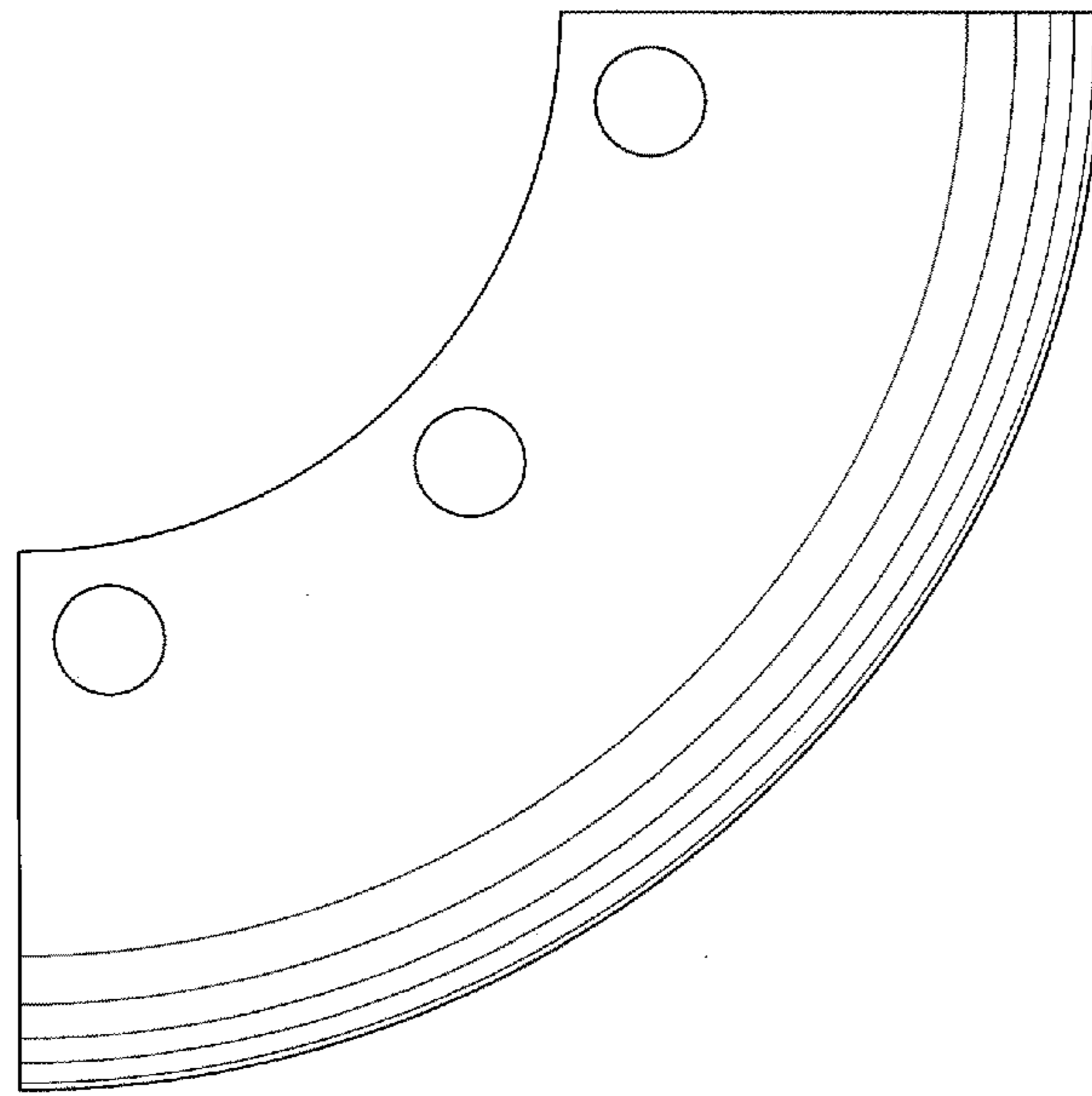


Fig. 3

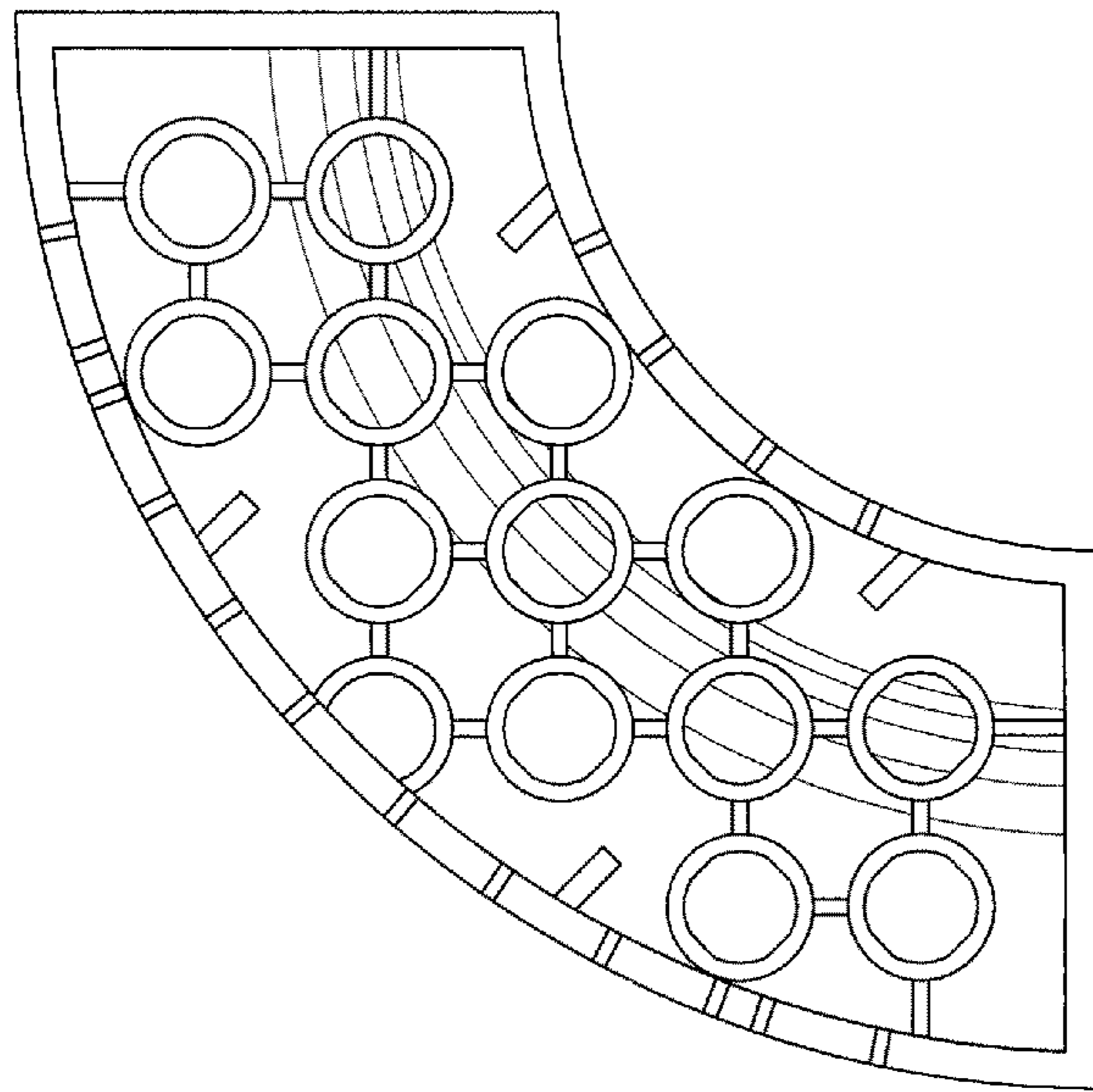


Fig. 4

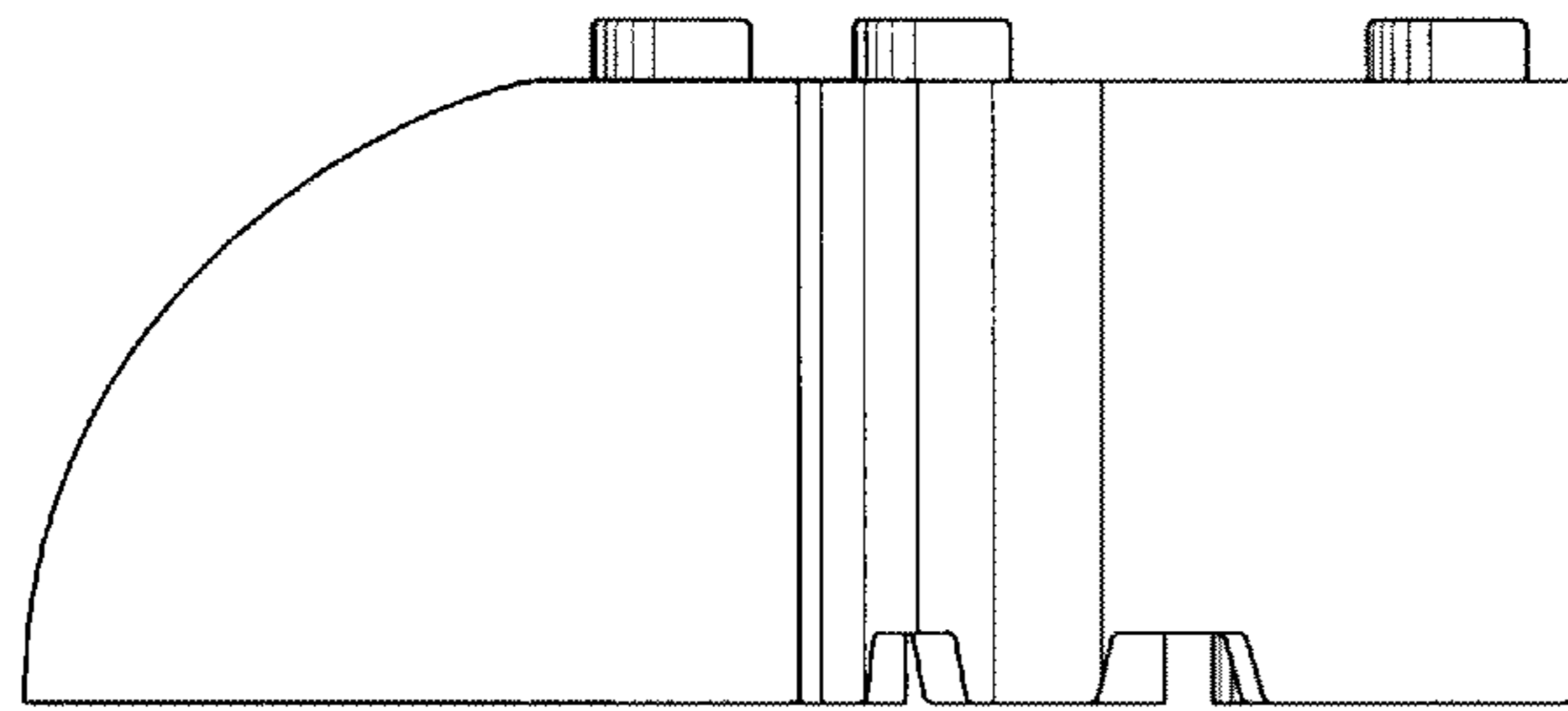


Fig. 5

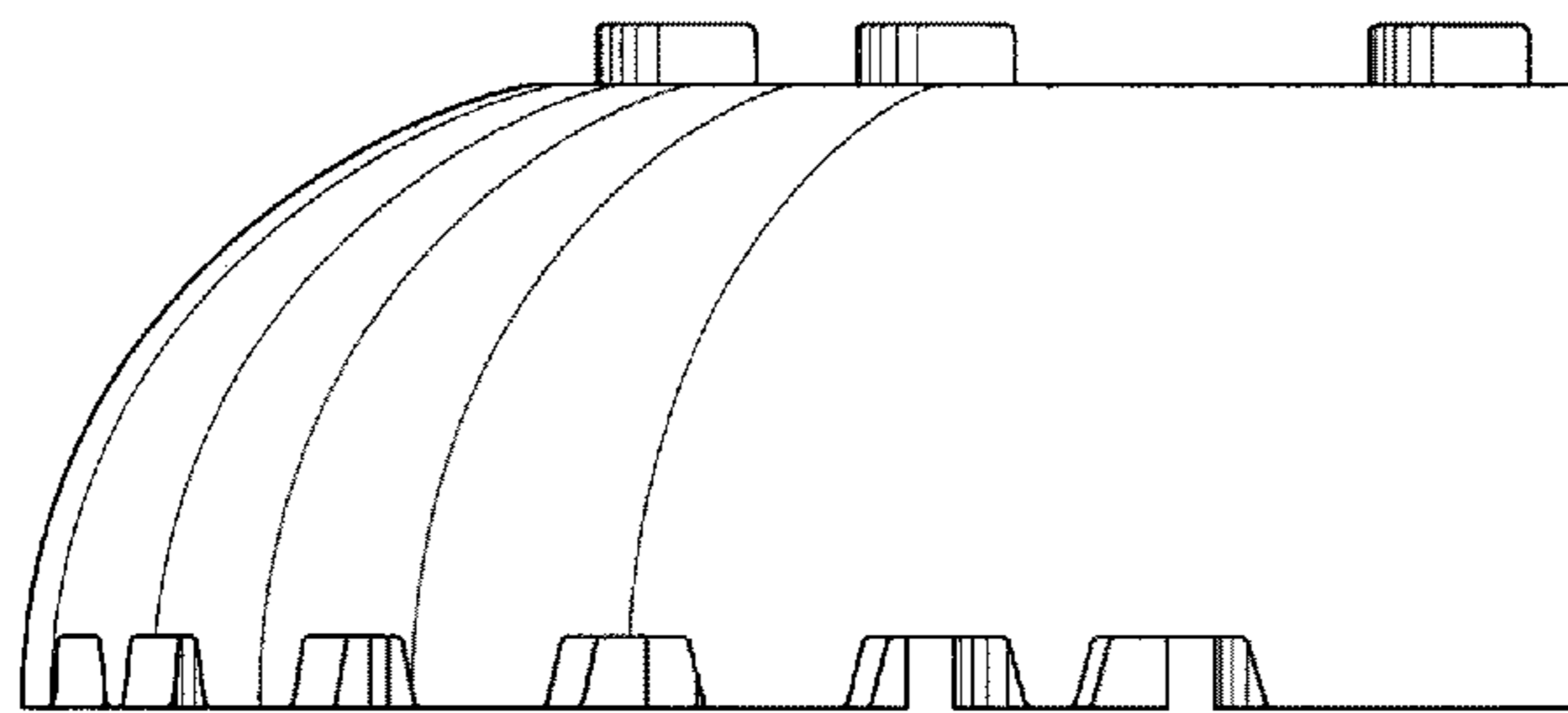


Fig. 6

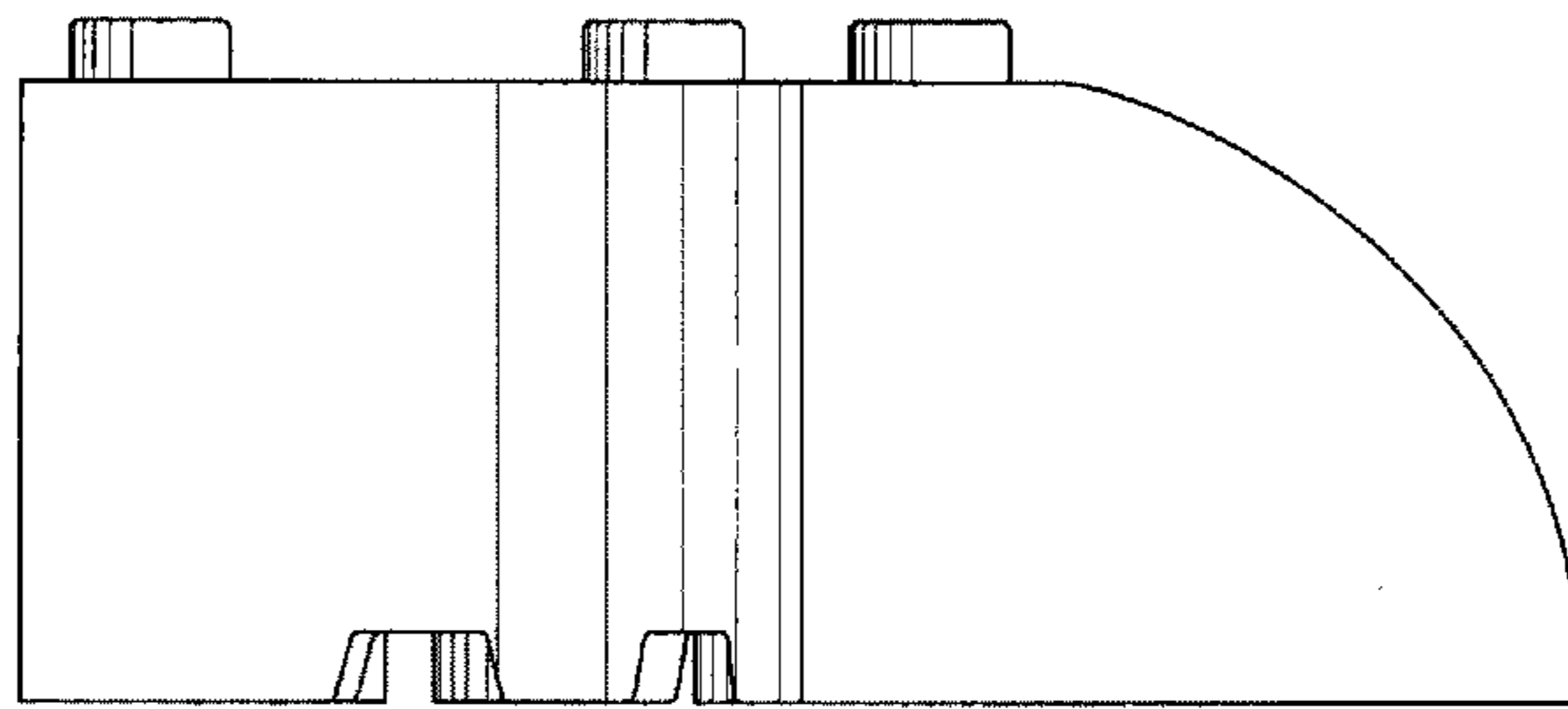


Fig. 7

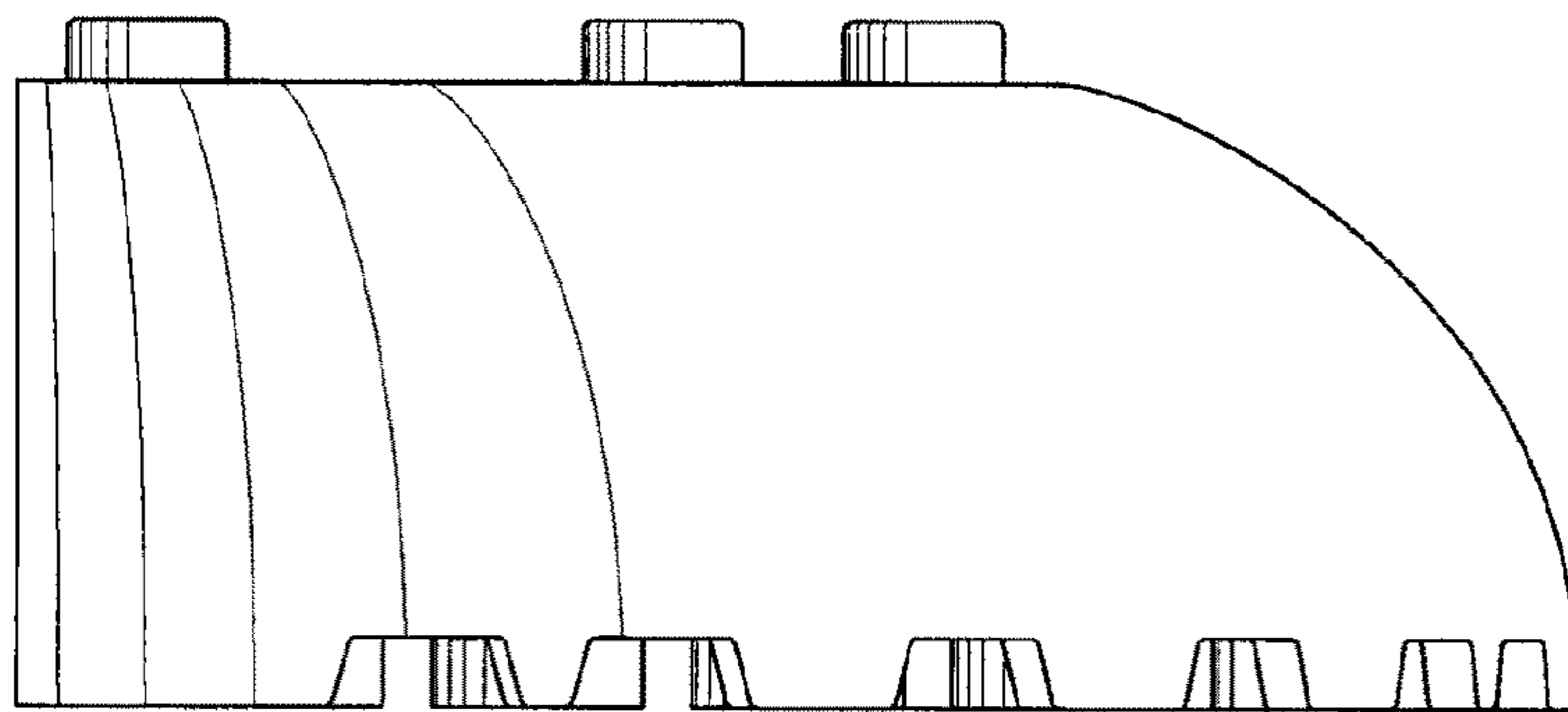


Fig. 8