

US00D667504S

(12) **United States Design Patent**  
**Allen**

(10) **Patent No.:** **US D667,504 S**  
(45) **Date of Patent:** **\*\* Sep. 18, 2012**

(54) **SHOPPING CART CORRAL HAVING AN ENTRY PORTION TO WHICH ADVERTISEMENTS ARE AFFIXED**

(75) Inventor: **Joseph Allen**, Murrieta, CA (US)

(73) Assignee: **Starlite Media, LLC**, New York, NY (US)

(\*\*) Term: **14 Years**

(21) Appl. No.: **29/405,487**

(22) Filed: **Nov. 2, 2011**

4,918,878 A	4/1990	Paschke et al.
D321,798 S	11/1991	Buckley
D334,301 S	3/1993	Buckley
5,201,426 A	4/1993	Cruwell
5,220,740 A	6/1993	Brault
5,279,085 A	1/1994	DiPaolo et al.
D350,038 S	8/1994	Buckley
D361,448 S	8/1995	Buckley
5,551,578 A	9/1996	McCue et al.
D376,854 S	12/1996	DiPaolo et al.
5,626,926 A	5/1997	Roberts
5,862,921 A	1/1999	Venegas
5,875,578 A	3/1999	Grewe
5,878,518 A	3/1999	Grewe
6,298,997 B1	10/2001	Jarrett et al.
6,493,997 B2	12/2002	Cohen
6,581,616 B1*	6/2003	Venegas, Jr. .... 135/121

(Continued)

**Related U.S. Application Data**

(63) Continuation of application No. 29/387,041, filed on Mar. 8, 2011, now Pat. No. Des. 653,709, which is a continuation of application No. 29/314,253, filed on Mar. 17, 2009, now abandoned, and a continuation of application No. 29/364,404, filed on Jun. 23, 2010, now abandoned.

(51) **LOC (9) Cl.** ..... **20-03**

(52) **U.S. Cl.** ..... **D20/19**

(58) **Field of Classification Search** ..... D20/10, D20/19, 39-42, 99; 40/446, 538, 541, 542, 40/584, 585; D10/104.1, 109.1, 109.2; D25/1, D25/18, 22, 99; 52/169.2, 238.1, 239; 135/121; 256/1, 25, 59; 362/812; 211/17  
See application file for complete search history.

(56) **References Cited**

**U.S. PATENT DOCUMENTS**

D31,832 S	11/1899	Marcus
2,165,724 A	7/1939	Le
3,323,655 A	6/1967	Foran et al.
D219,946 S	2/1971	Birnberg
4,236,697 A	12/1980	Savino
4,292,352 A	9/1981	Singer
D269,978 S	8/1983	Dickson
4,609,183 A	9/1986	Ulmer
D286,074 S	10/1986	Corte
4,777,750 A	10/1988	Garfinkle
4,884,353 A	12/1989	Taylor

*Primary Examiner* — Mary Ann Calabrese

(74) *Attorney, Agent, or Firm* — Bryan Cave LLP

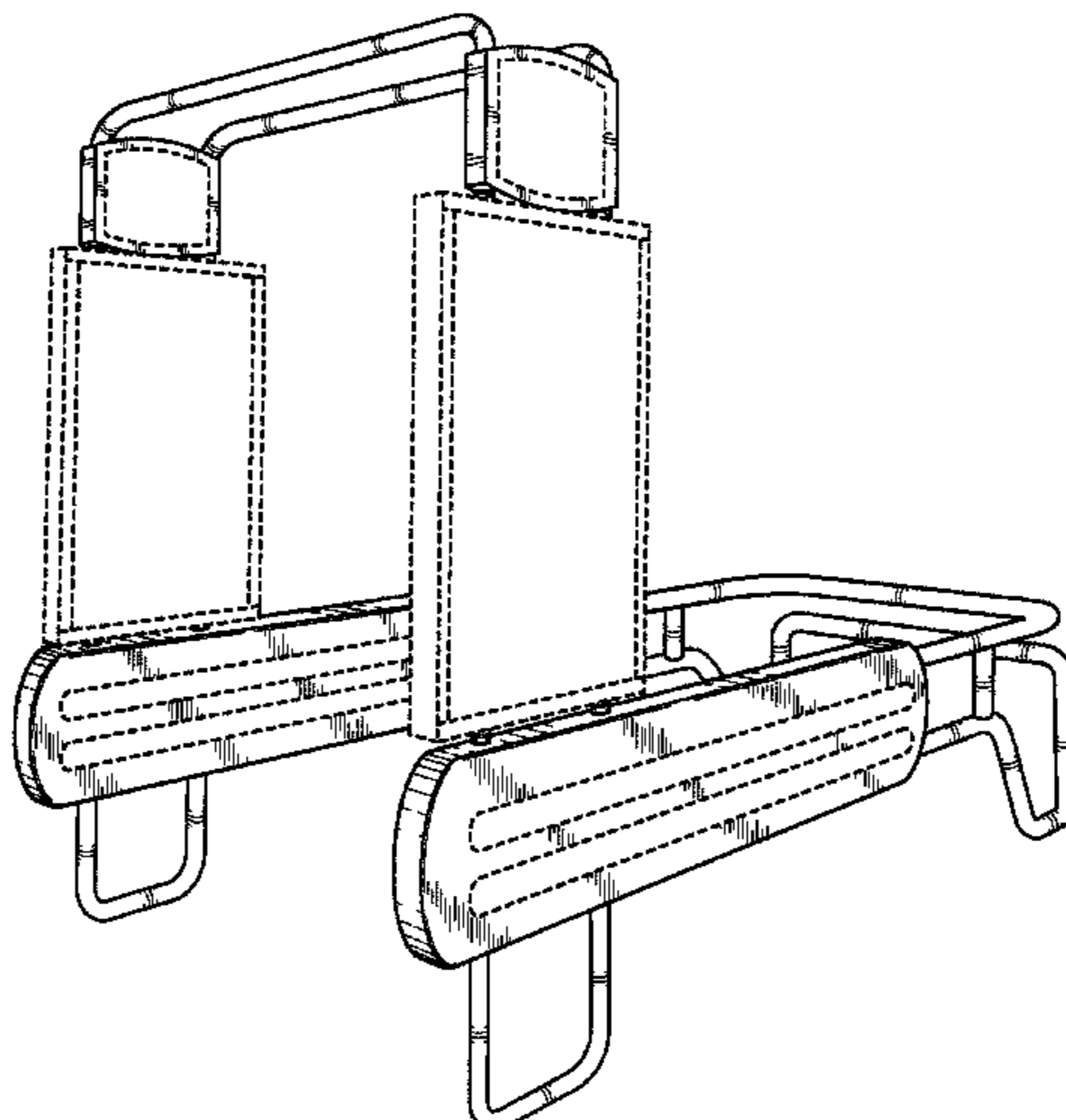
(57) **CLAIM**

The ornamental design for a shopping cart corral having an entry portion to which advertisements are affixed, as shown and described.

**DESCRIPTION**

FIG. 1 is a perspective view of a shopping cart corral having an entry portion to which advertisements may be affixed; FIG. 2 is a side view thereof; FIG. 3 is a front view thereof; FIG. 4 is a rear view thereof; FIG. 5 is a top view thereof; FIG. 6 is a perspective view of a shopping cart corral having an entry portion to which advertisements may be affixed; FIG. 7 is a side view thereof; FIG. 8 is a front view thereof; FIG. 9 is a rear view thereof; and, FIG. 10 is a top view thereof. The broken line showings of the shopping cart corral in FIGS. 1-10 are for the purpose of illustrating an environment only and form no part of the claimed design.

**1 Claim, 10 Drawing Sheets**



# US D667,504 S

Page 2

---

## U.S. PATENT DOCUMENTS

D488,904 S	4/2004	Unnerstall et al.	D587,761 S	3/2009	Grimshaw	
D492,732 S	7/2004	Herbst	D615,129 S *	5/2010	Allen .....	D20/19
D495,011 S	8/2004	Trubiano	D620,531 S *	7/2010	Allen .....	D20/19
7,044,446 B2 *	5/2006	Hempen et al. ....	7,895,782 B2	3/2011	Farrell	
7,140,581 B1	11/2006	White	D653,709 S *	2/2012	Allen .....	D20/39
D537,952 S	3/2007	Anton	2004/0079934 A1	4/2004	Hempen et al.	
D540,472 S	4/2007	Van Es	2008/0040962 A1	2/2008	Gurren	
7,210,270 B1	5/2007	King et al	2008/0120877 A1	5/2008	Farrell	
7,237,360 B2	7/2007	Moncho et al.	2010/0327245 A1	12/2010	Allen	

\* cited by examiner

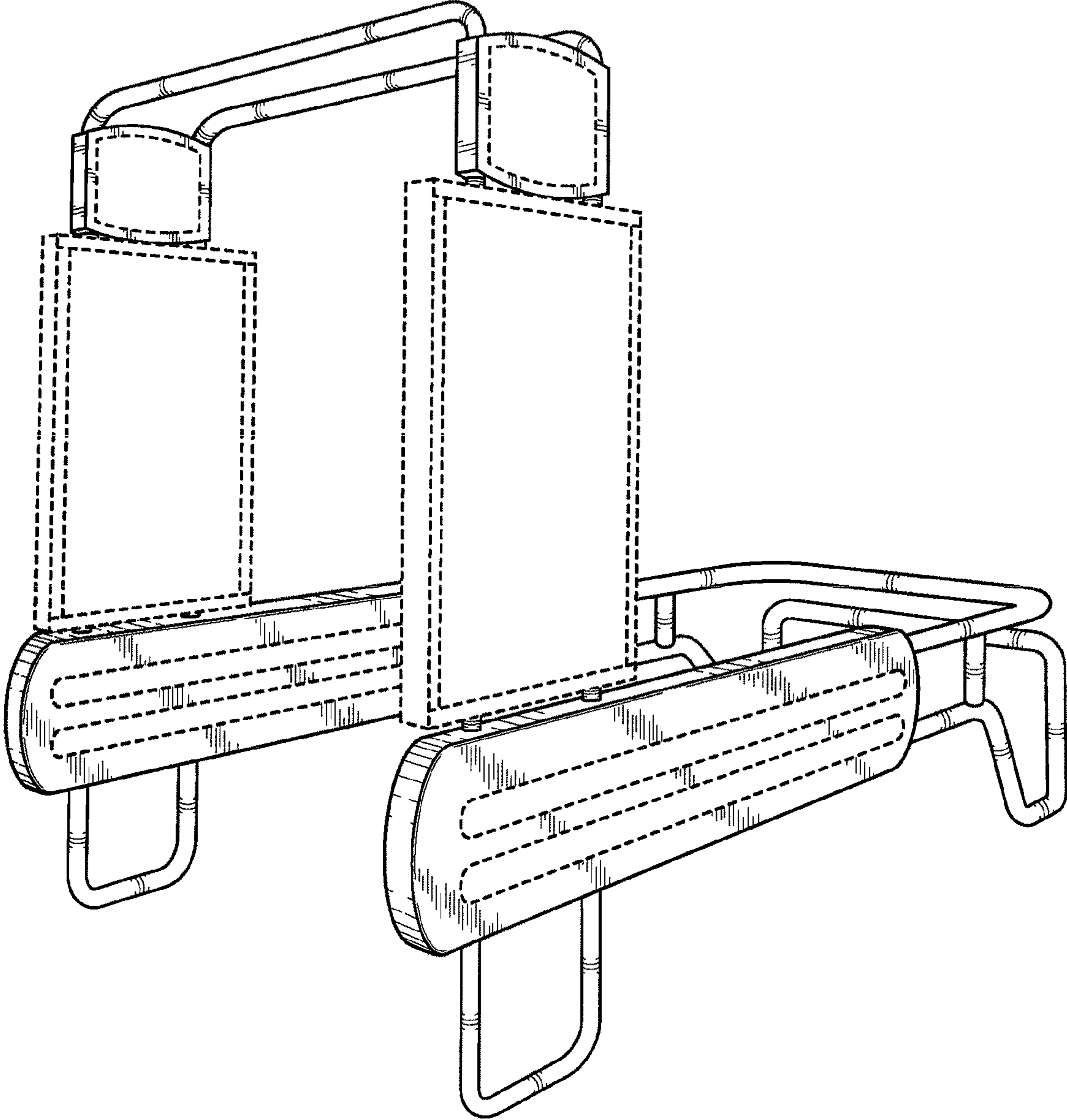


FIG. 1

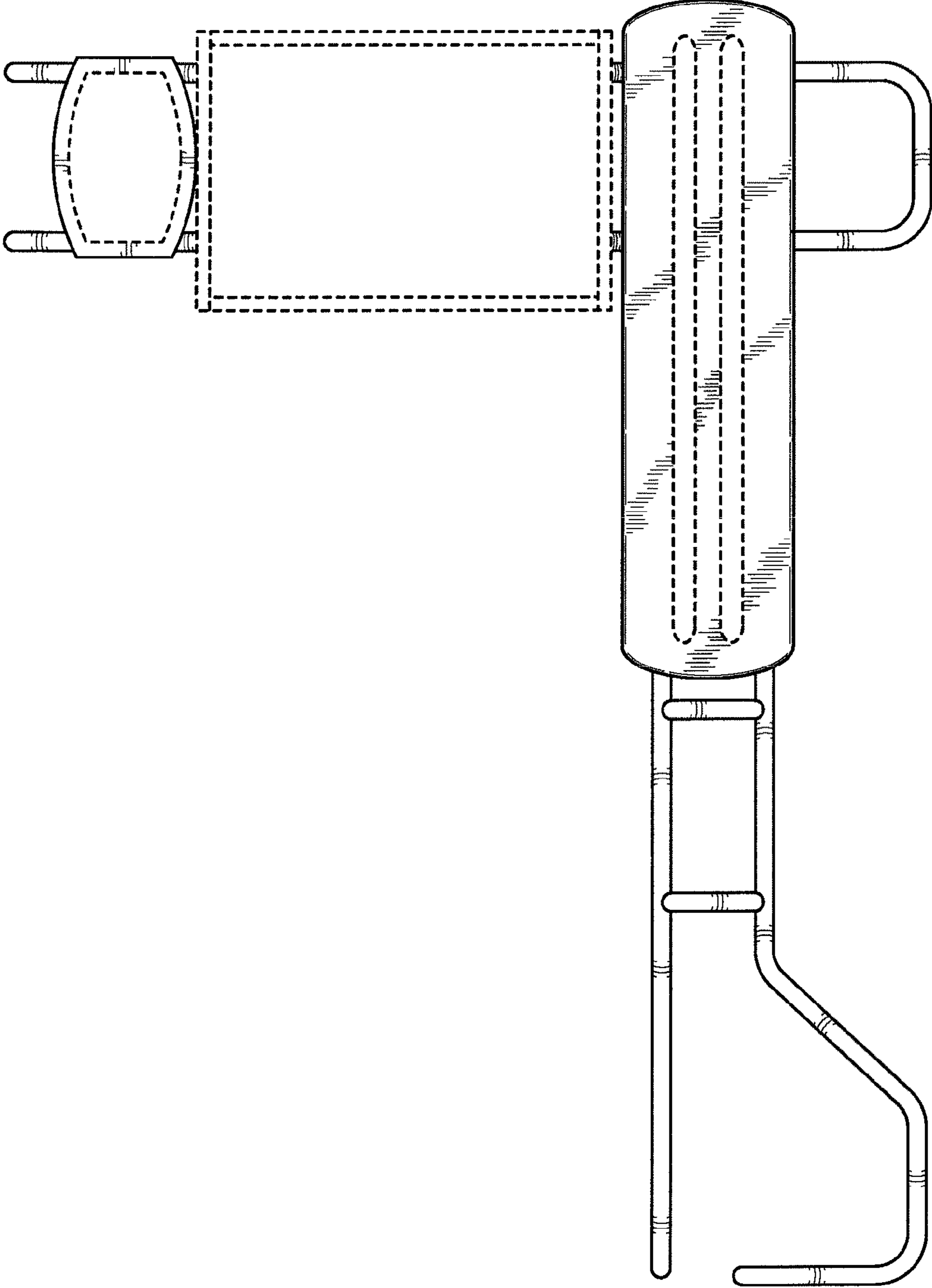


FIG. 2

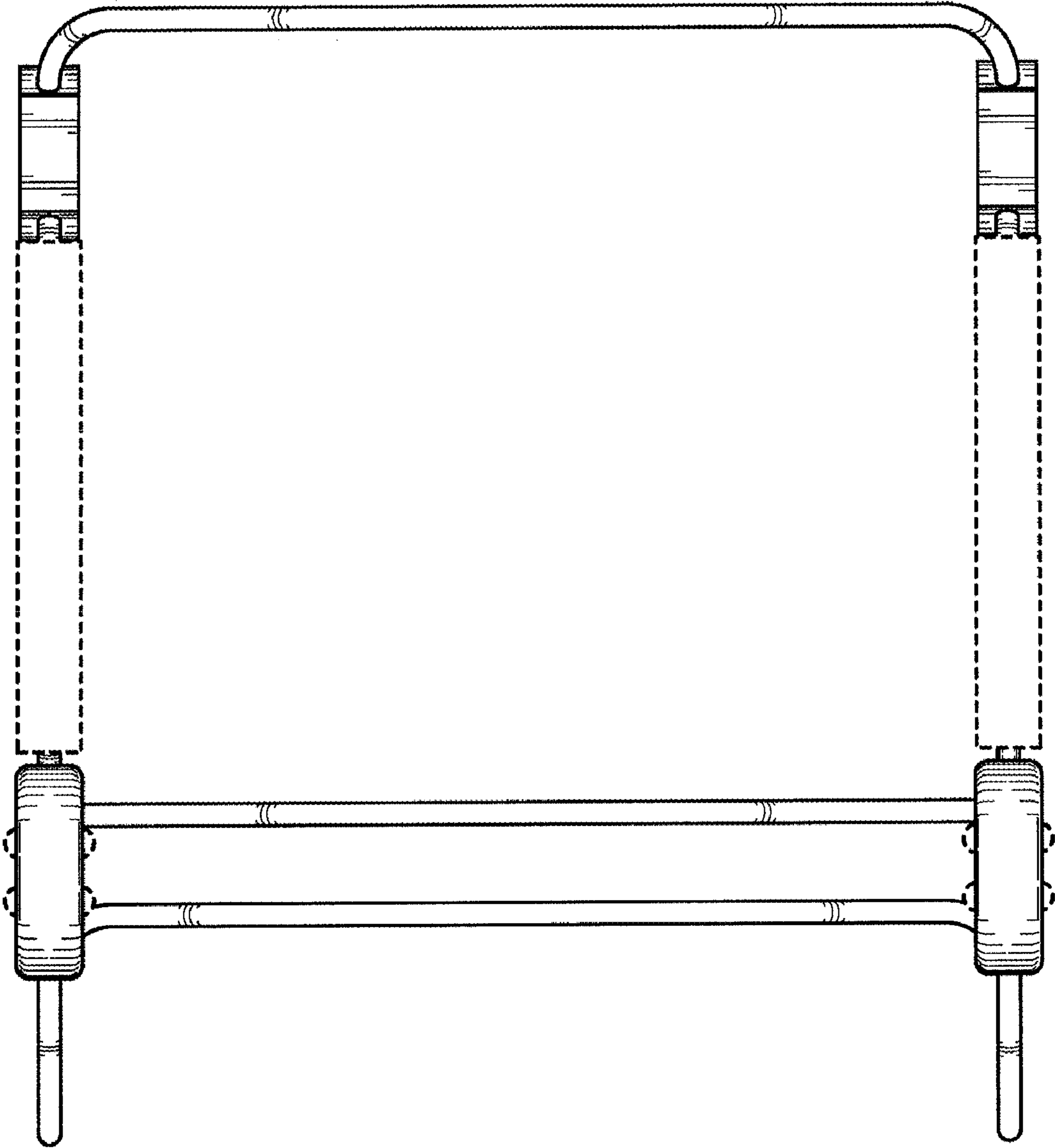


FIG. 3

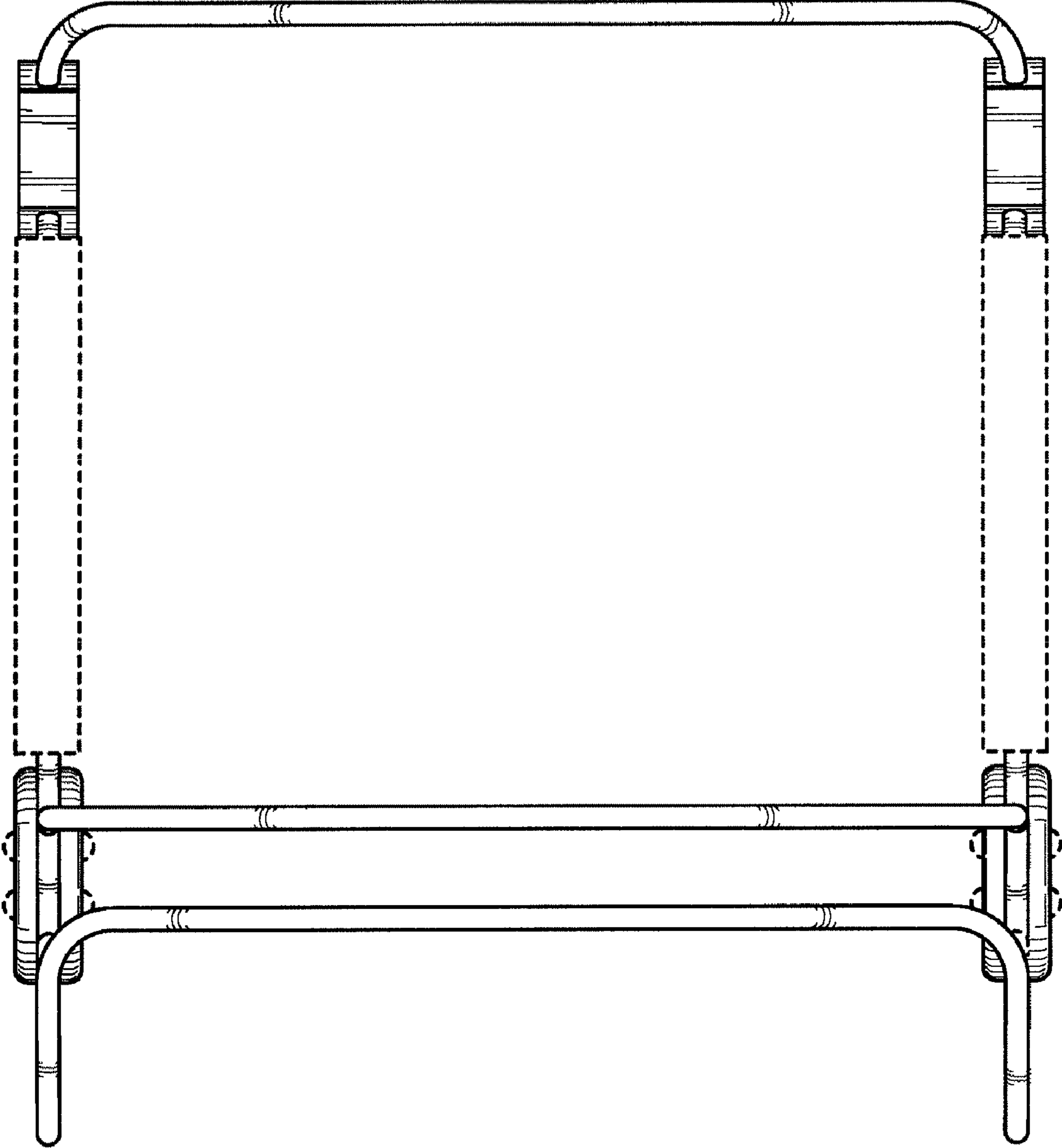


FIG. 4

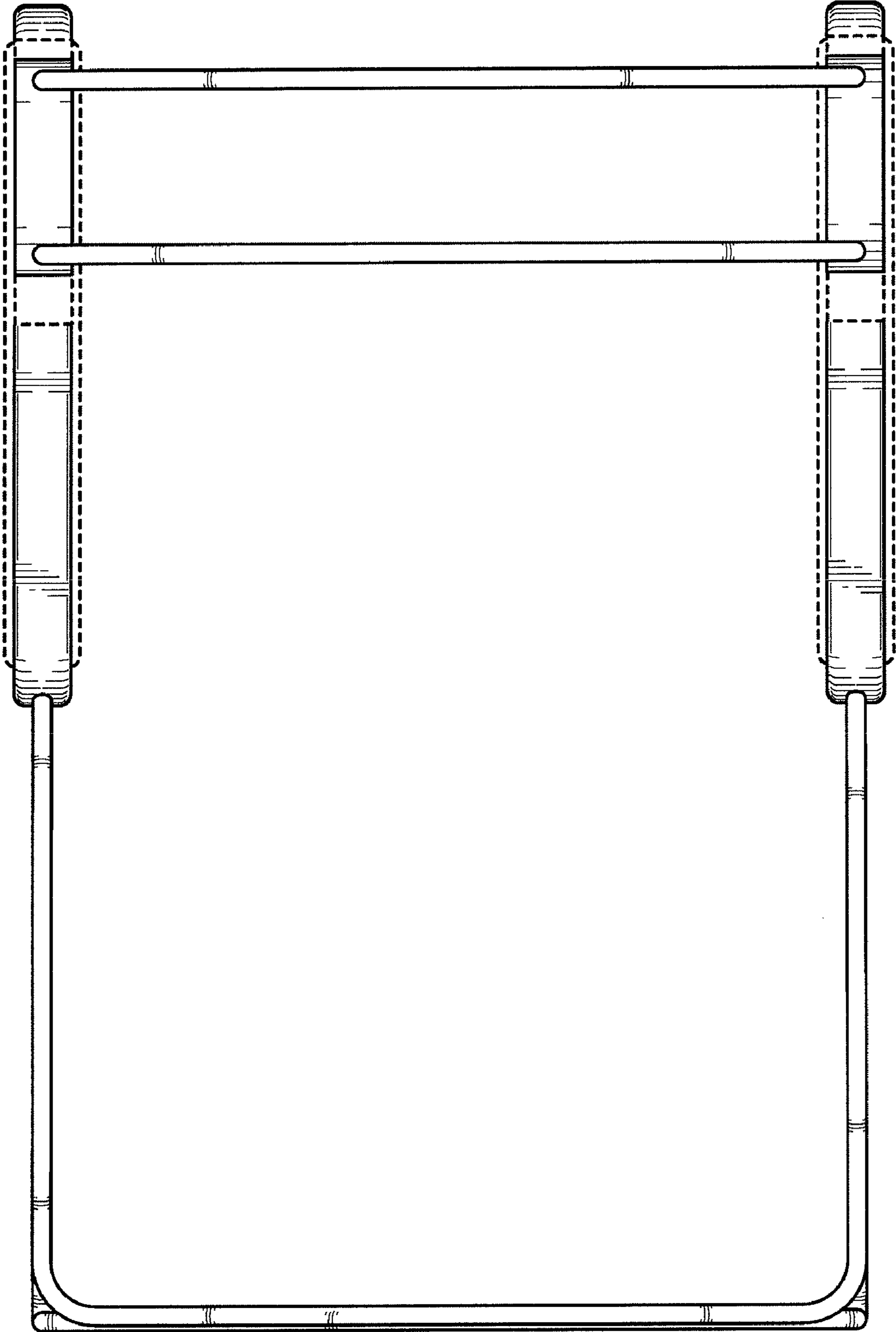


FIG. 5

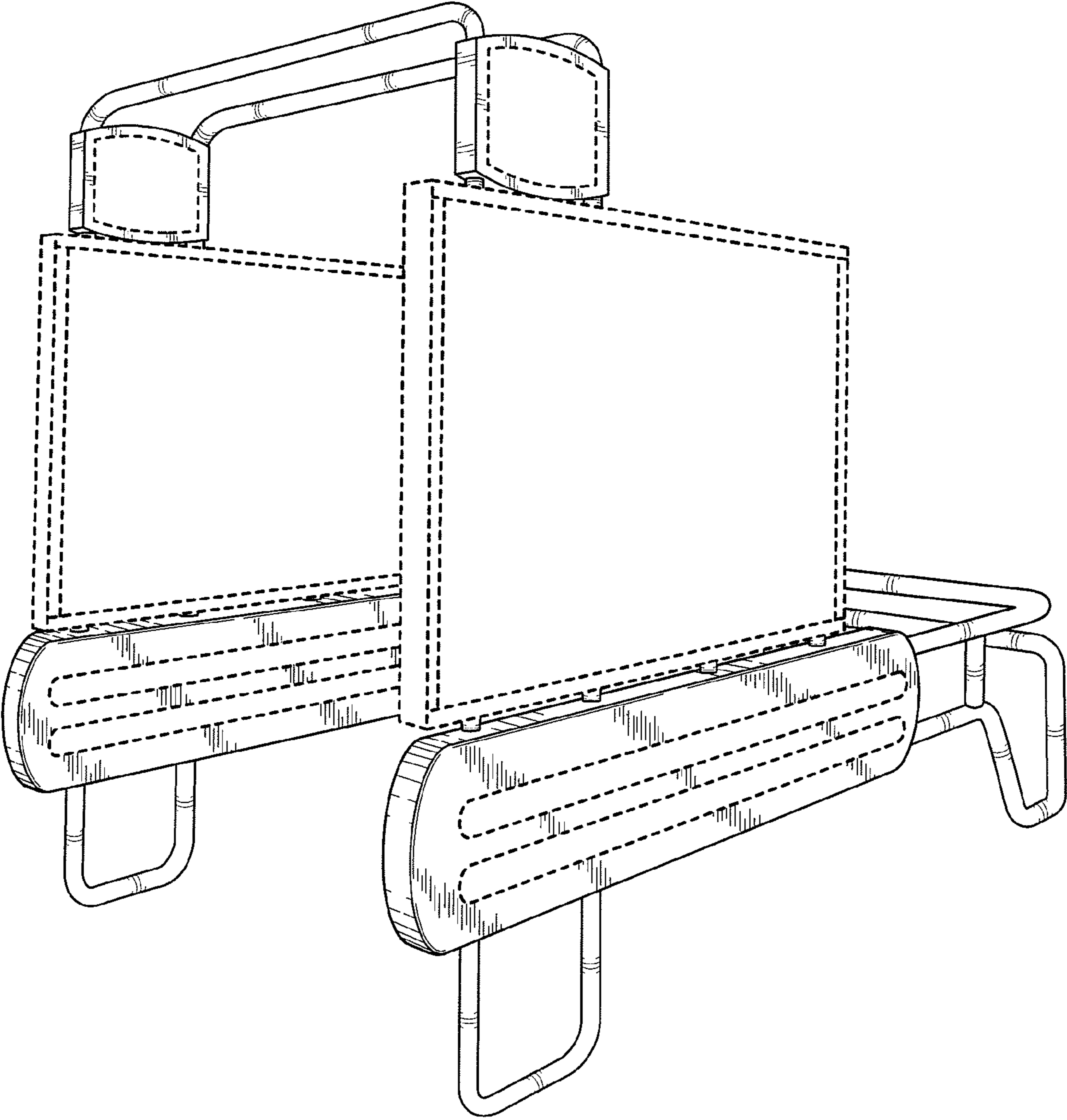


FIG. 6



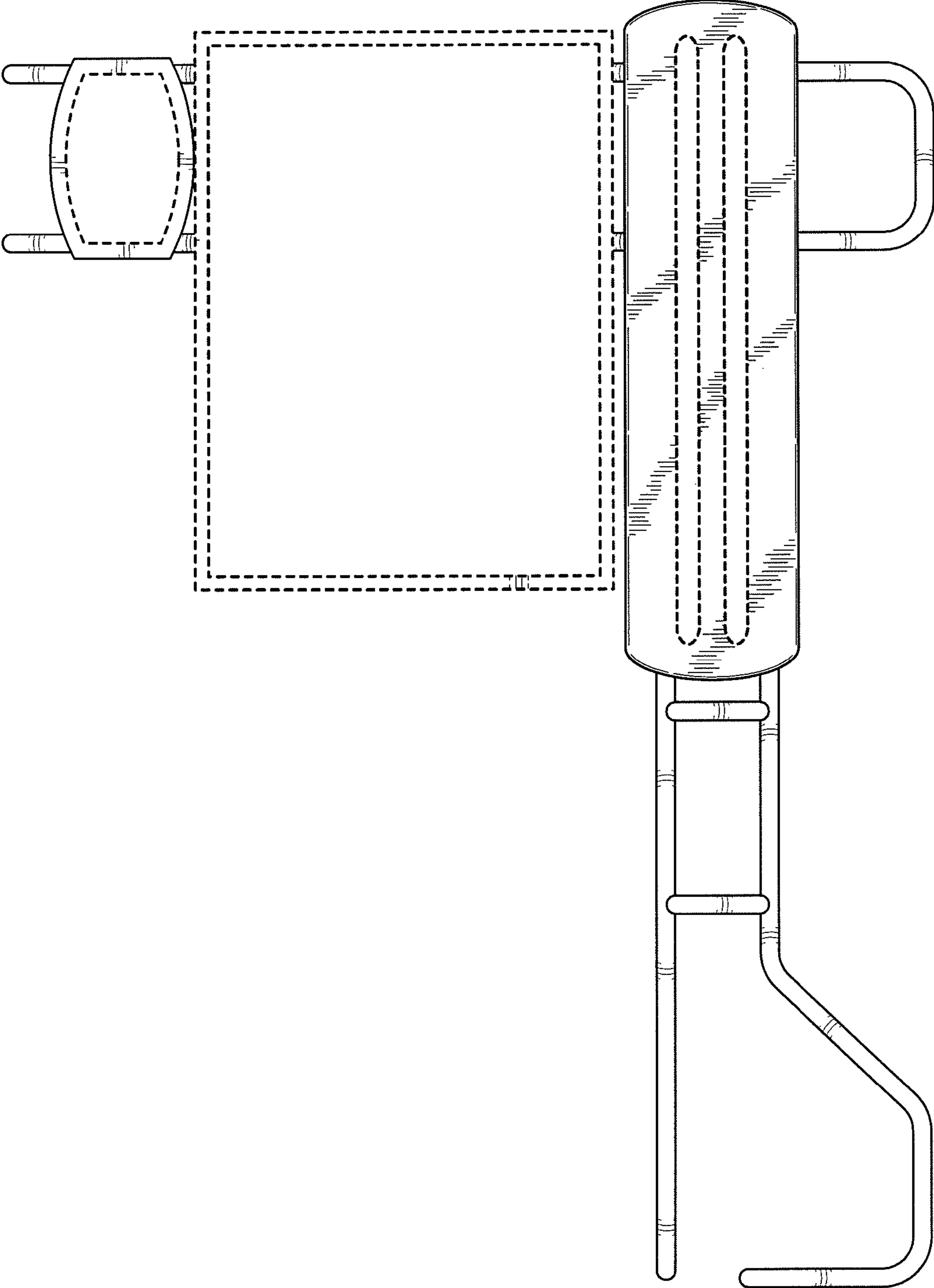


FIG. 7

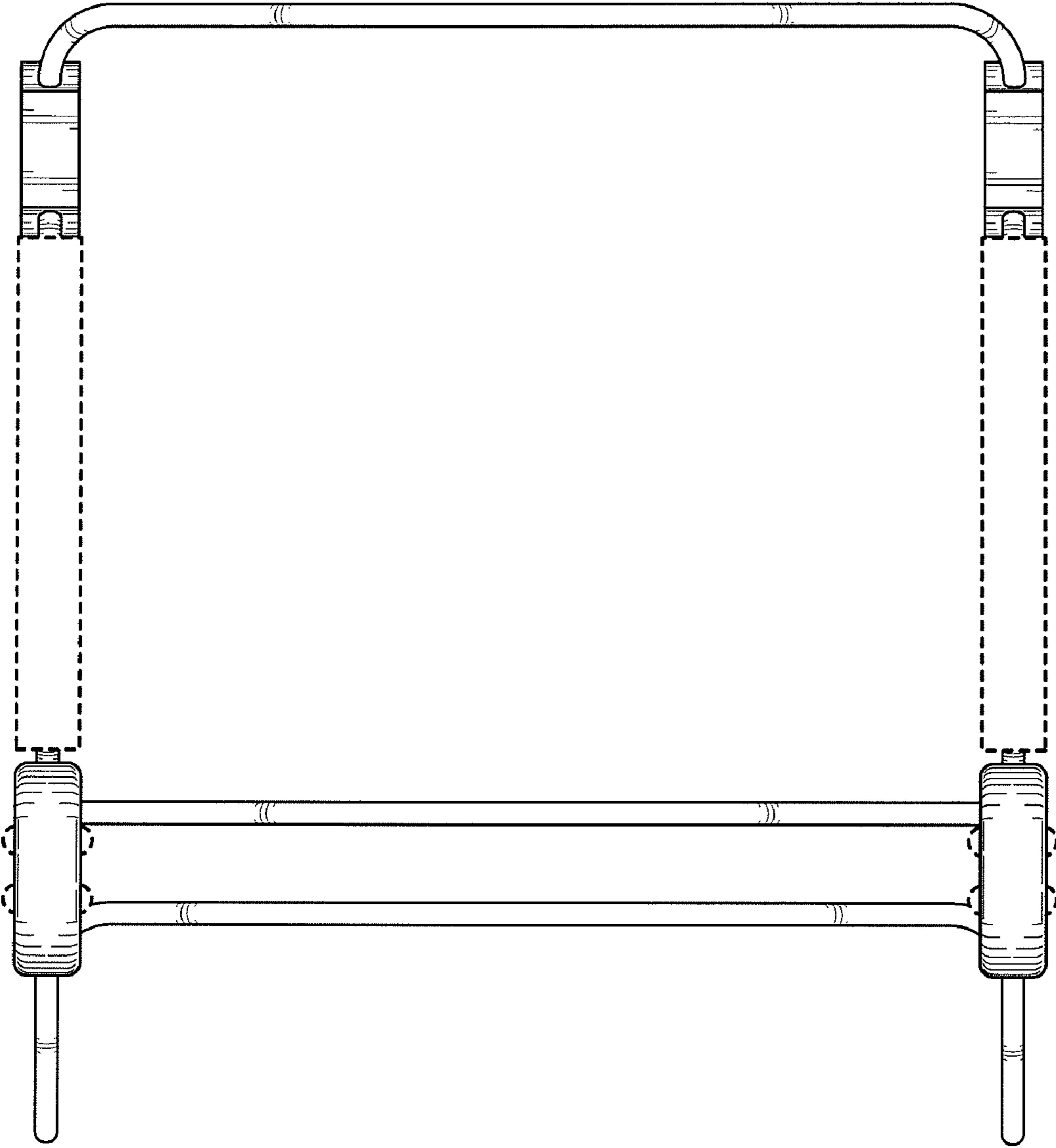


FIG. 8

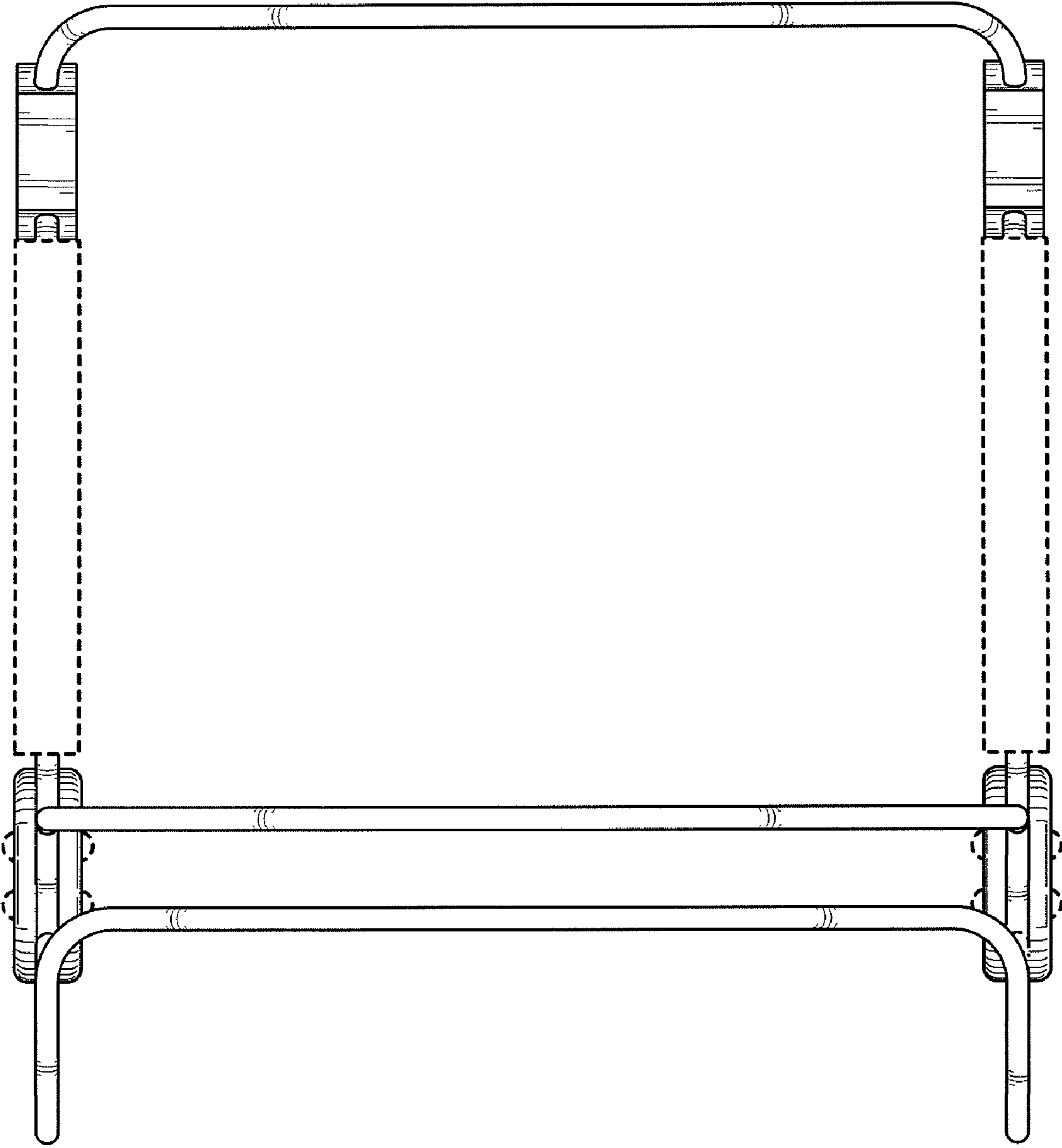


FIG. 9

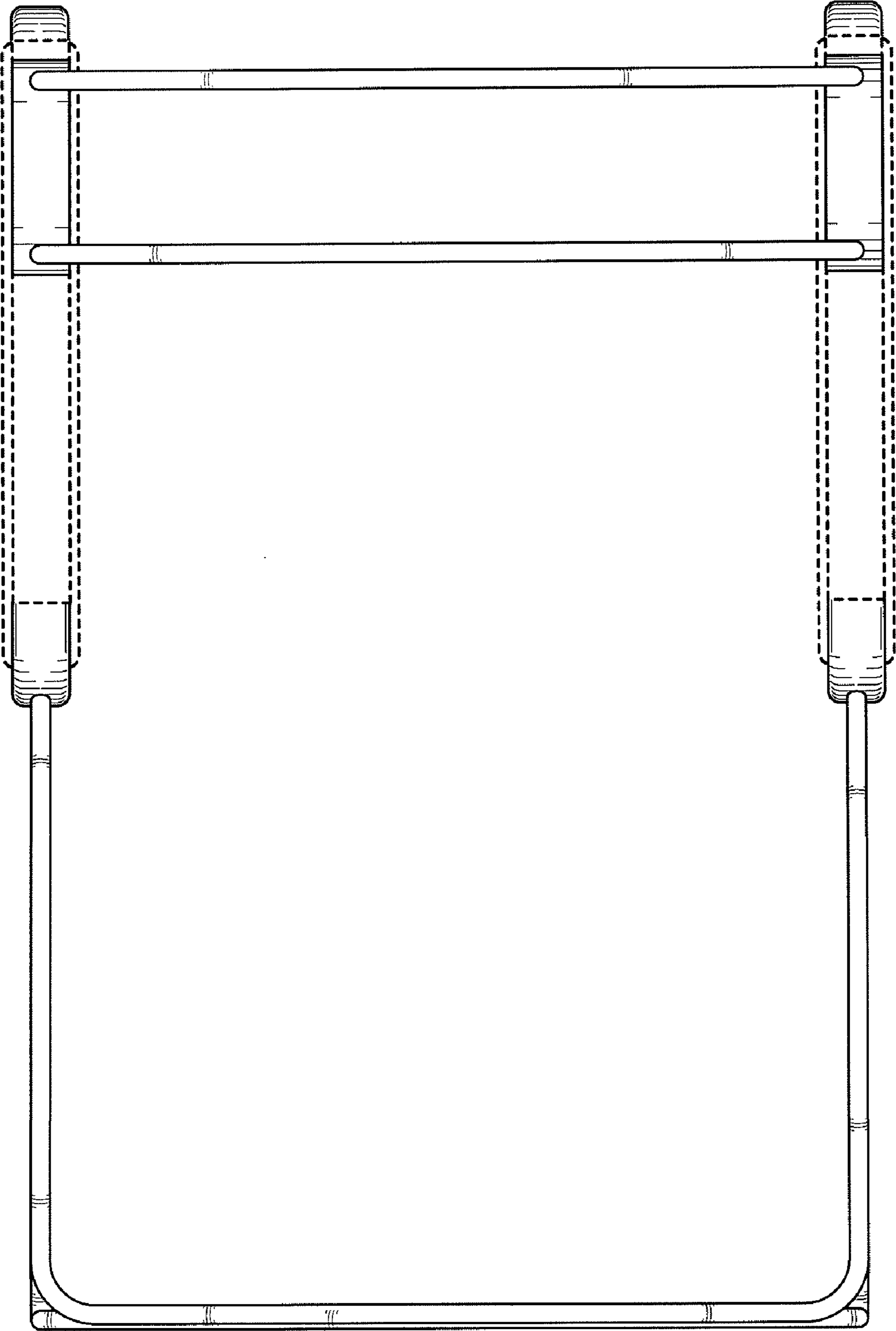


FIG. 10