



US00D667500S

(12) **United States Design Patent**
Shibata et al.

(10) **Patent No.:** **US D667,500 S**

(45) **Date of Patent:** **** Sep. 18, 2012**

(54) **WRITING INSTRUMENT**

(75) Inventors: **Fumie Shibata**, Tokyo (JP); **Masahiro Yasunaga**, Osaka (JP)

(73) Assignee: **Sakura Color Products Corporation** (JP)

(**) Term: **14 Years**

(21) Appl. No.: **29/374,032**

(22) Filed: **Jun. 24, 2011**

(30) **Foreign Application Priority Data**

Mar. 4, 2011 (JP) 2011-005033

(51) **LOC (9) Cl.** **19-06**

(52) **U.S. Cl.** **D19/45**

(58) **Field of Classification Search** D19/35,
D19/36, 41-51, 54-58; D14/411; 24/11 F,
24/11 P, 11 R; 401/52, 99, 100-109, 192,
401/195, 196

See application file for complete search history.

(56) **References Cited**

U.S. PATENT DOCUMENTS

D59,035 S * 9/1921 Sheaffer D19/46
D82,821 S * 12/1930 Furedy D19/46

D182,235 S * 3/1958 Jaffe D9/454
D343,196 S * 1/1994 Liguori D19/57
D447,602 S * 9/2001 Dumler et al. D28/76
D447,773 S * 9/2001 Lau D19/46
D493,833 S * 8/2004 Hung D19/43
D529,817 S * 10/2006 Francavilla et al. D9/724
D552,798 S * 10/2007 Py et al. D28/88
D574,731 S * 8/2008 Py et al. D9/723

* cited by examiner

Primary Examiner — Elizabeth Albert

(74) *Attorney, Agent, or Firm* — Wood, Phillips, Katz, Clark & Mortimer

(57) **CLAIM**

The ornamental design for a writing instrument, as shown and described.

DESCRIPTION

FIG. 1 is a bottom, left side, and rear perspective view of a writing instrument showing our new design;
FIG. 2 is a front, left side, and top perspective view thereof;
FIG. 3 is a left side elevation view thereof;
FIG. 4 is a right side elevation view thereof;
FIG. 5 is a rear elevation view thereof;
FIG. 6 is a front elevation view thereof;
FIG. 7 is a bottom view; and,
FIG. 8 is a top view thereof.

1 Claim, 3 Drawing Sheets

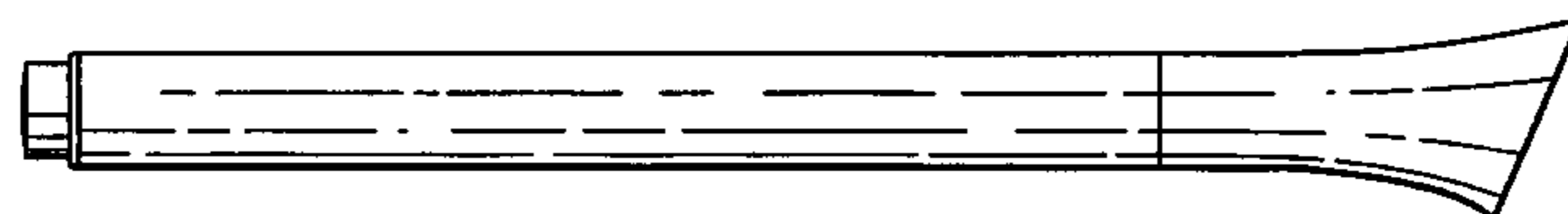
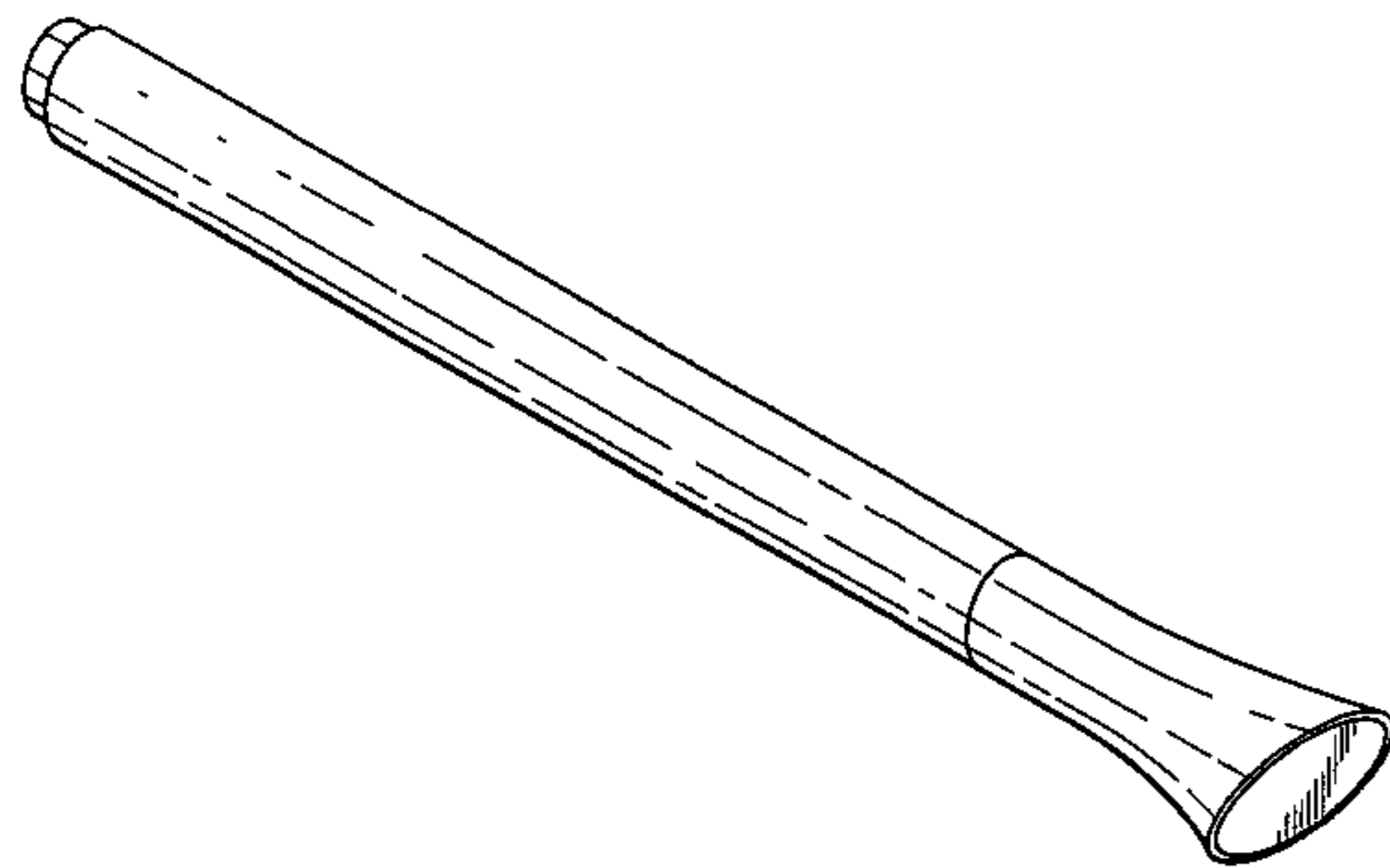


Fig. 1

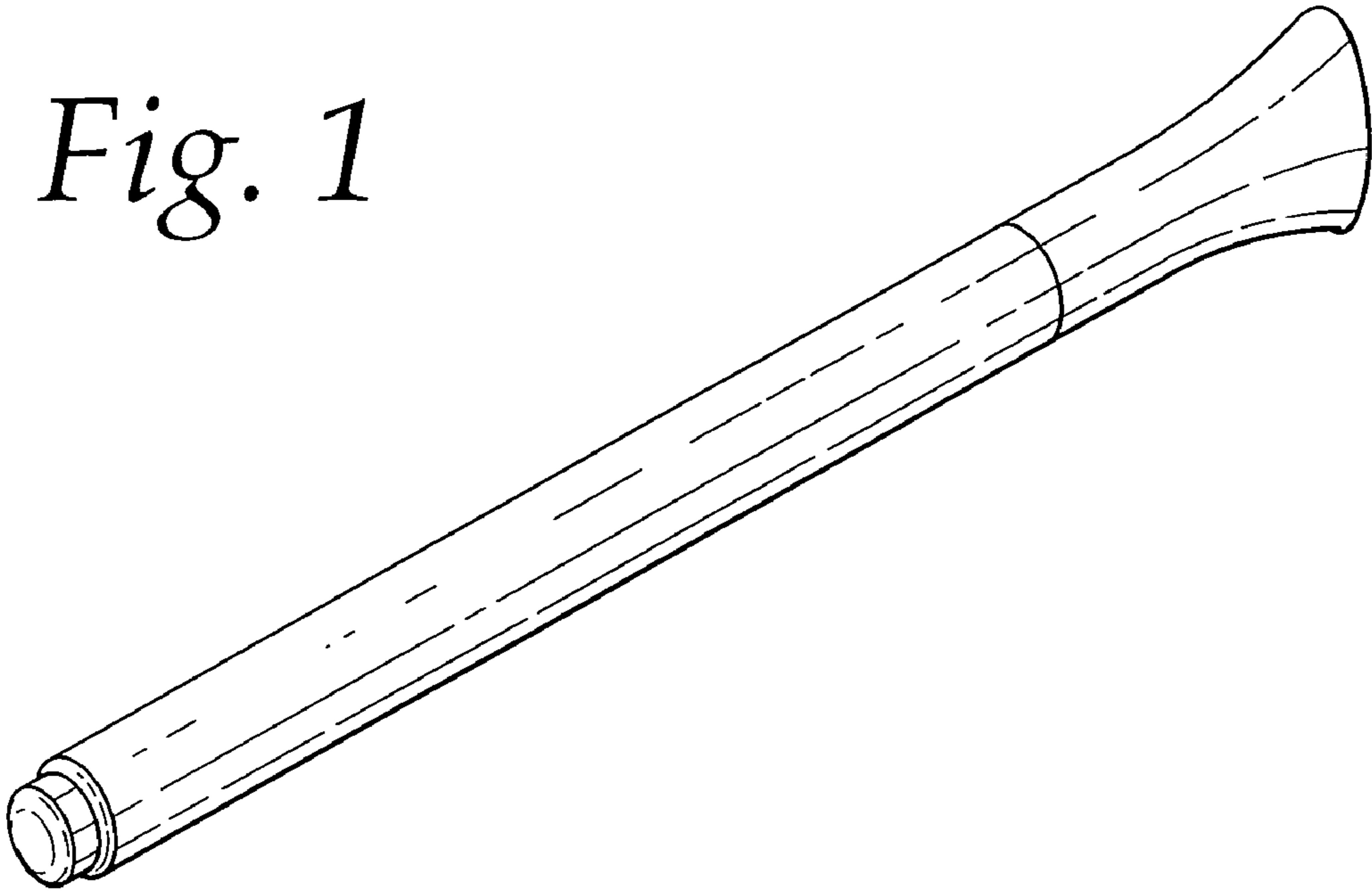
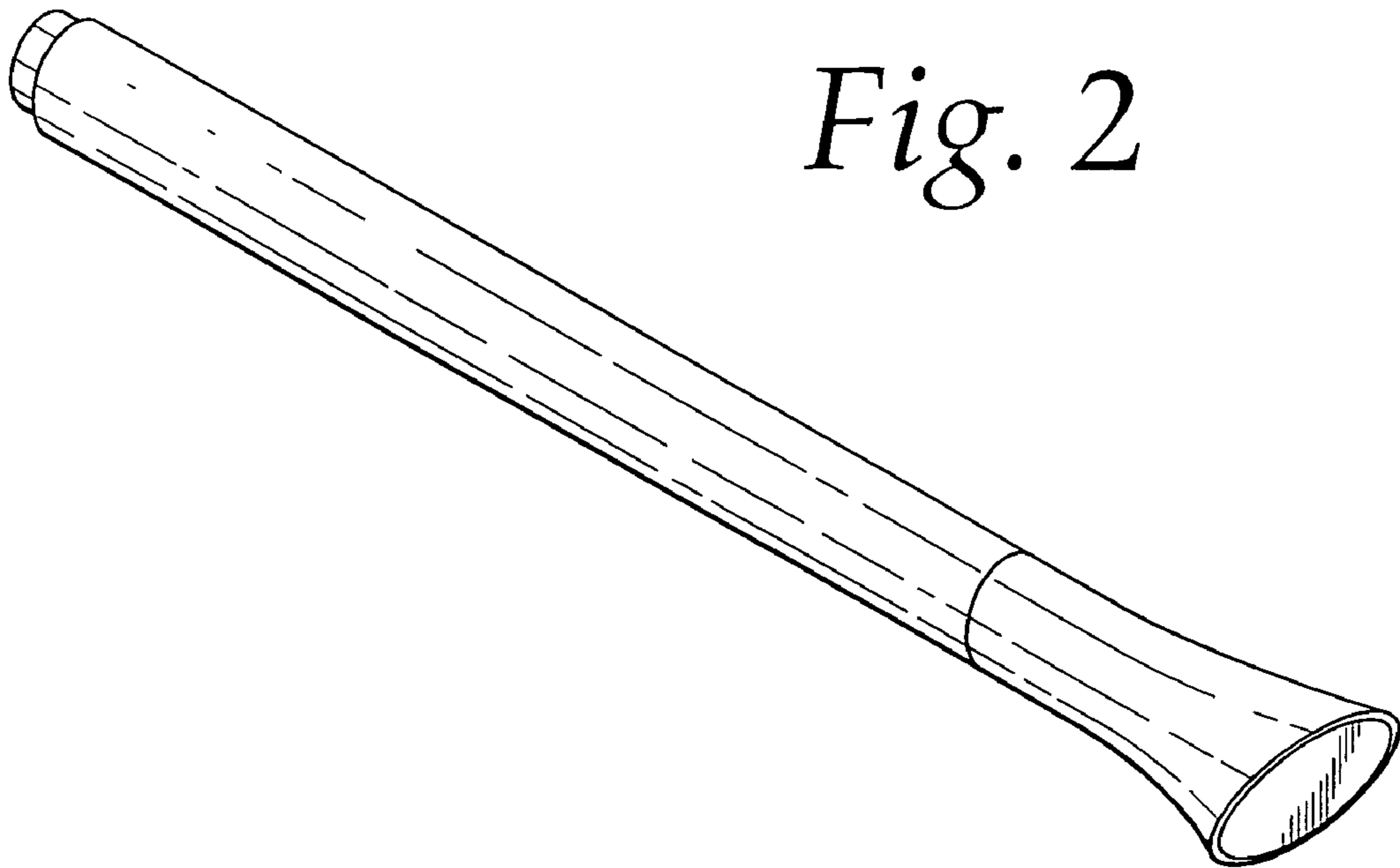


Fig. 2



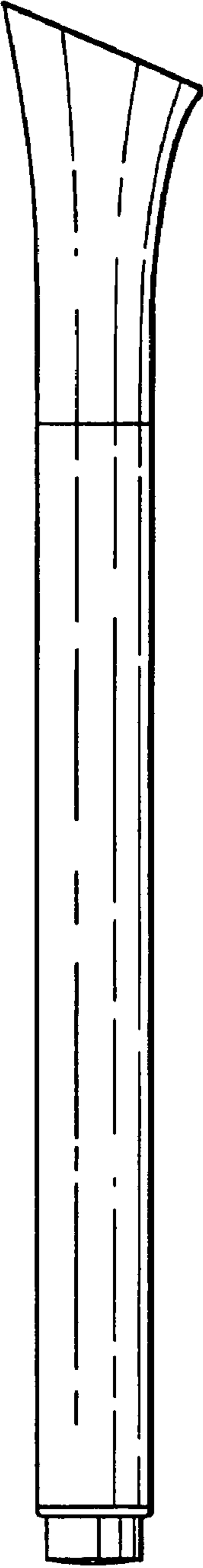


Fig. 3

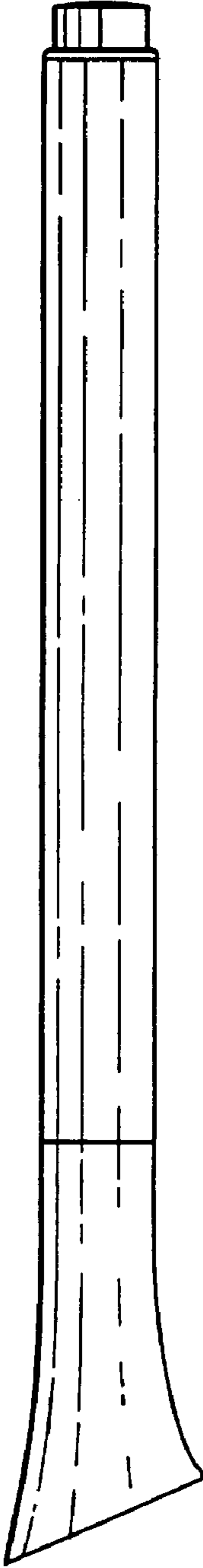


Fig. 4

Fig. 5

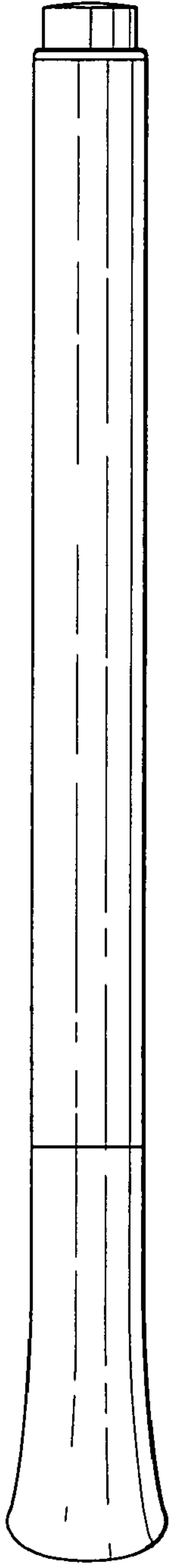


Fig. 6

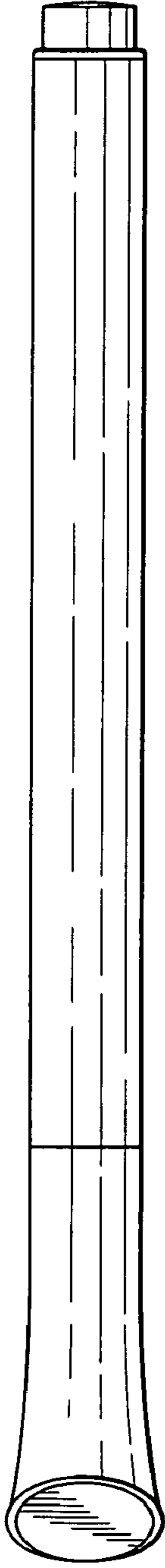


Fig. 7

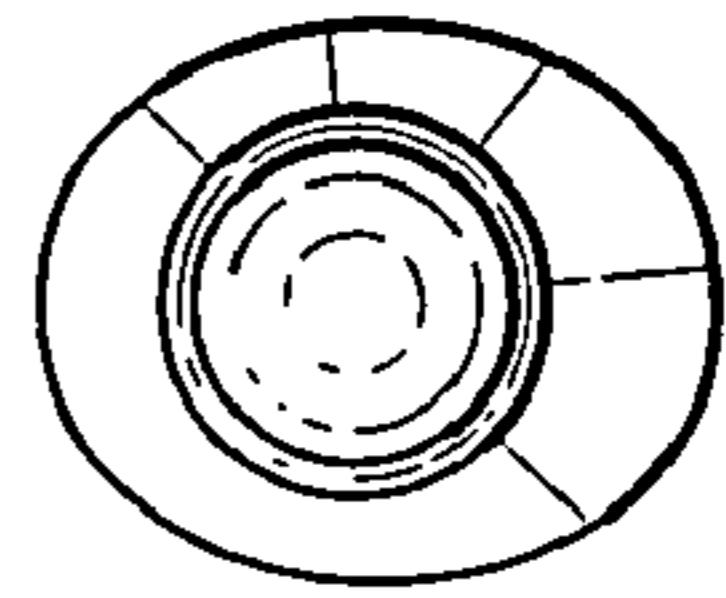


Fig. 8

