



US00D667493S

(12) **United States Design Patent**
Kobayashi et al.

(10) **Patent No.:** **US D667,493 S**

(45) **Date of Patent:** **** Sep. 18, 2012**

(54) **CARTRIDGE FOR TEXTILE PRINTER**

(75) Inventors: **Haruo Kobayashi**, Ichinomiya (JP);
Naoki Mizuno, Nagoya (JP)

(73) Assignee: **Brother Industries, Ltd.**, Nagoya (JP)

(**) Term: **14 Years**

(21) Appl. No.: **29/396,277**

(22) Filed: **Jun. 28, 2011**

(30) **Foreign Application Priority Data**

Dec. 28, 2010 (JP) 2010-293353

Apr. 21, 2011 (JP) 2011-9213

(51) **LOC (9) Cl.** **18-02**

(52) **U.S. Cl.** **D18/56**

(58) **Field of Classification Search** D18/12,
D18/43, 56; 400/194–196, 207–208, 234,
400/235.1, 247; 360/132

See application file for complete search history.

(56) **References Cited**

U.S. PATENT DOCUMENTS

D313,813 S *	1/1991	Tokuda	D18/43
D321,712 S *	11/1991	Tsutsui	D18/49
D359,067 S *	6/1995	Komaki et al.	D18/43
D385,576 S *	10/1997	Busby et al.	D18/43
D434,792 S *	12/2000	C’DeBaca	D18/43

D527,419 S *	8/2006	Anbiru et al.	D18/56
D542,334 S *	5/2007	Harada et al.	D18/12
D588,631 S *	3/2009	Nakamura et al.	D18/40
D647,558 S *	10/2011	Eto	D18/43
D653,283 S *	1/2012	Eto	D18/43
D659,188 S *	5/2012	Kanbe et al.	D18/56

* cited by examiner

Primary Examiner — Cathy A MacCormac

(74) *Attorney, Agent, or Firm* — Oliff & Berridge, PLC

(57) **CLAIM**

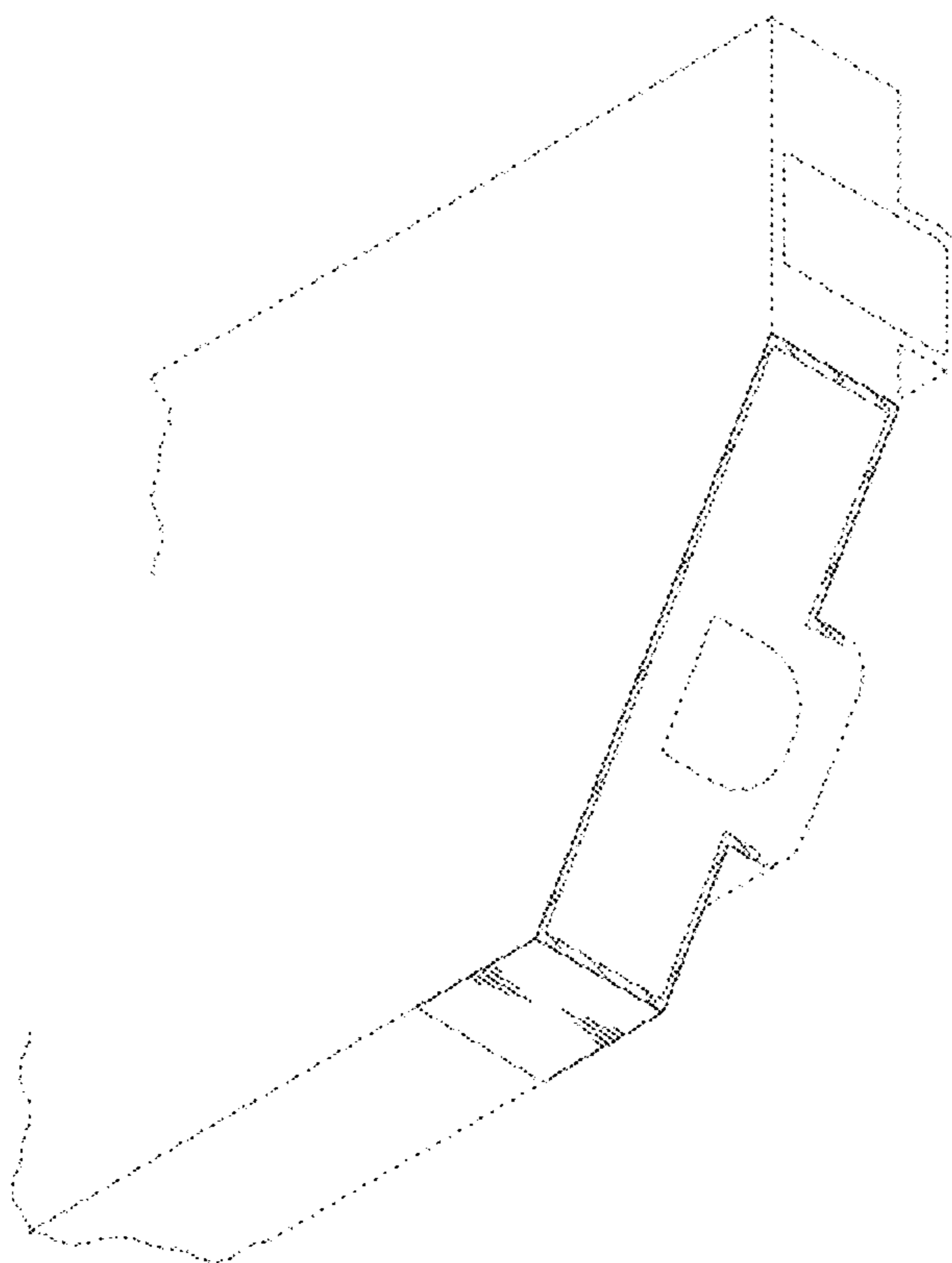
The ornamental design for a cartridge for textile printer, as shown and described.

DESCRIPTION

FIG. 1 is a front side perspective view;
FIG. 2 is a left side and bottom perspective view;
FIG. 3 is a front view;
FIG. 4 is a left side view;
FIG. 5 is a rear view;
FIG. 6 is a bottom plan view;
FIG. 7 is an enlarged left-side view; and,
FIG. 8 is an enlarged partial left side and bottom perspective view.

The broken lines are directed to environment and are for illustrative purposes only. The dot-dash chain lines represent the bounds of the claimed design. The broken lines and the dot-dash chain lines form no part of the claimed design.

1 Claim, 6 Drawing Sheets



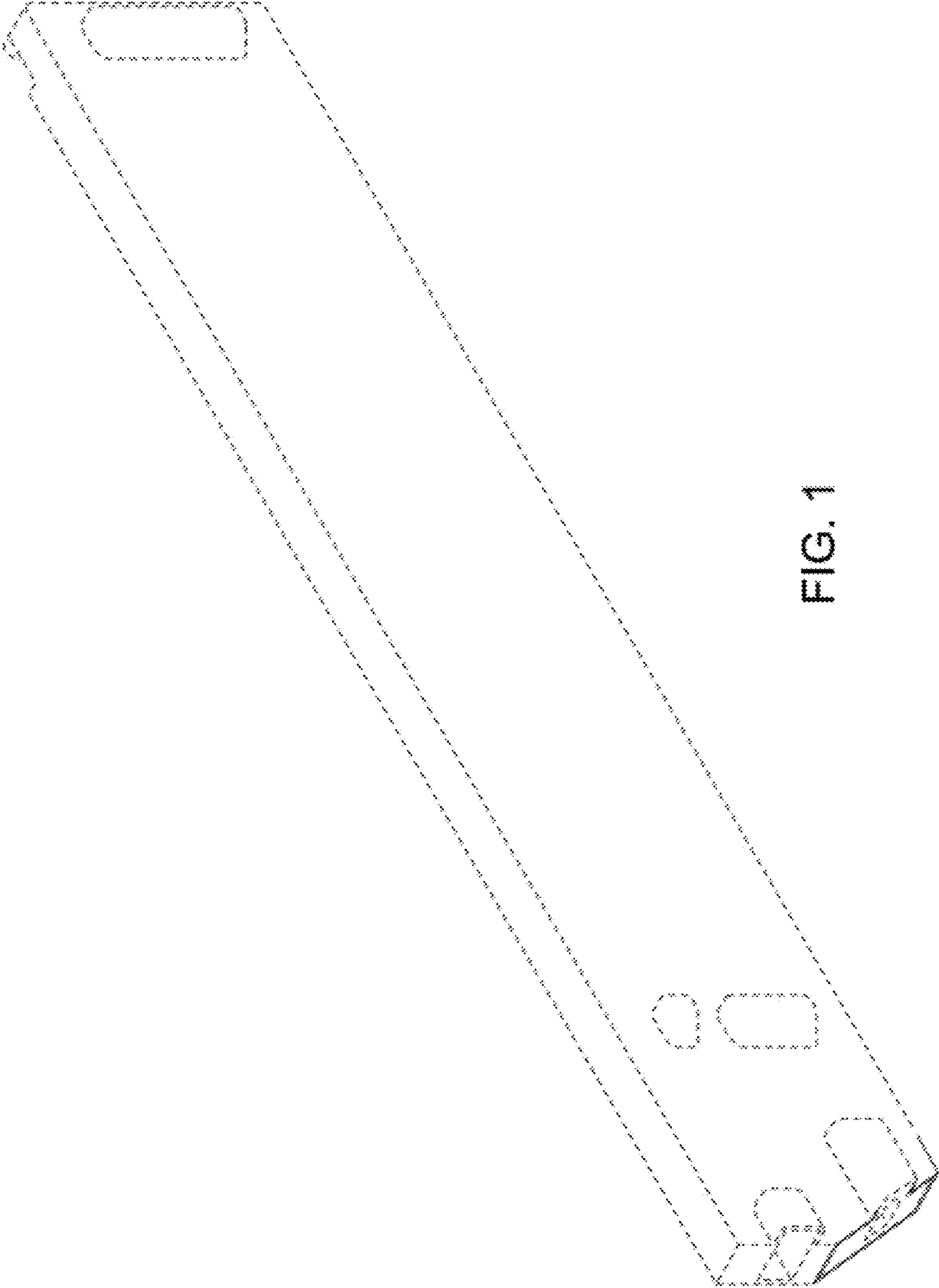


FIG. 1

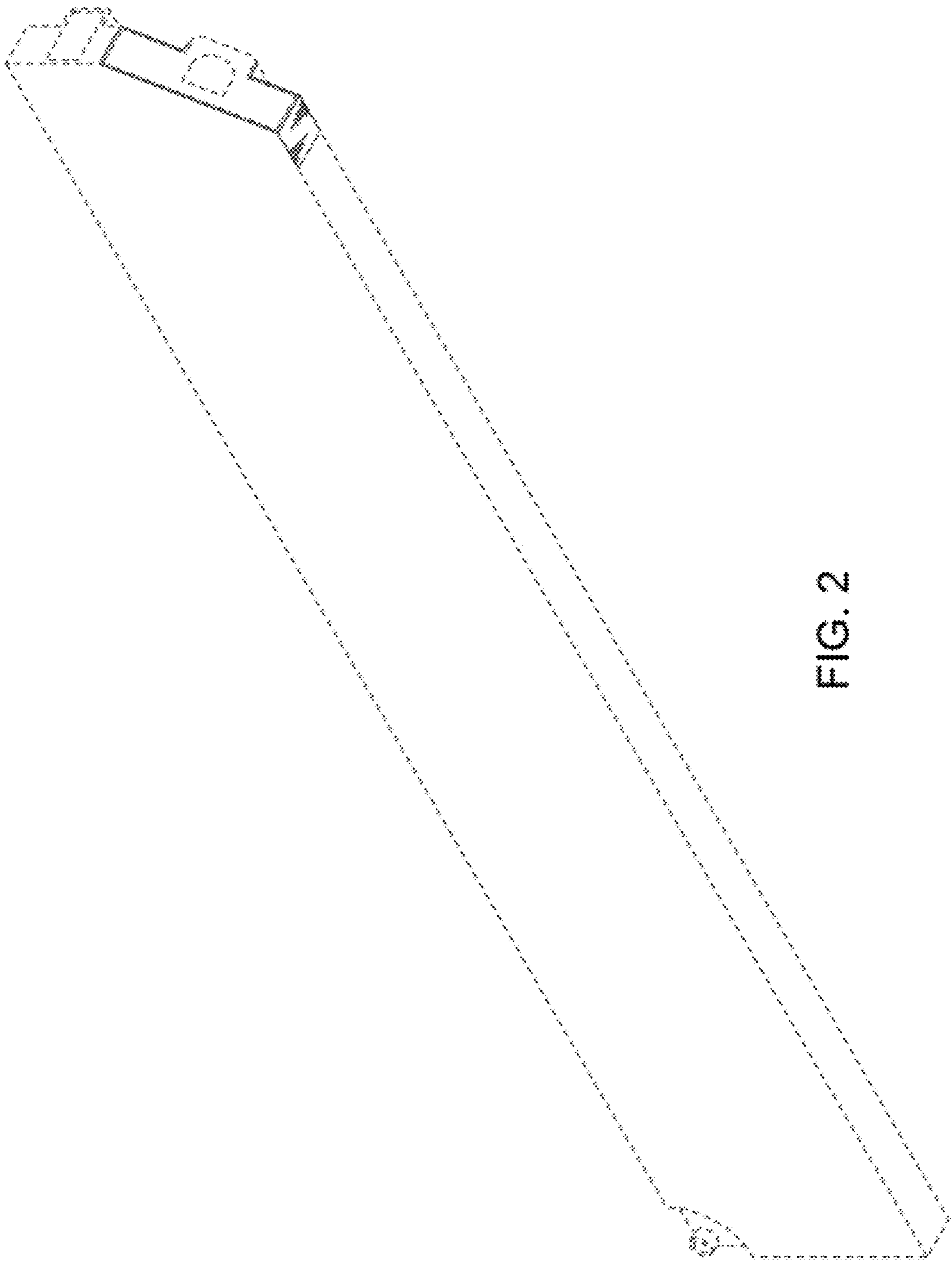


FIG. 2

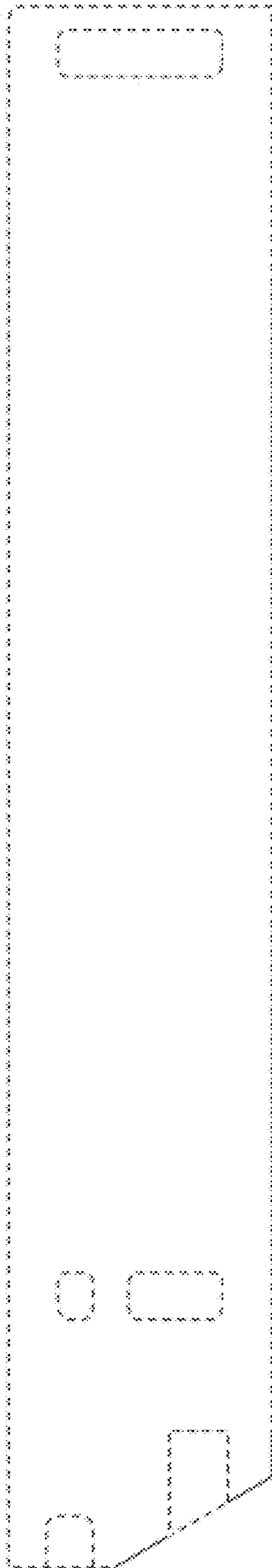


FIG. 3



FIG. 4

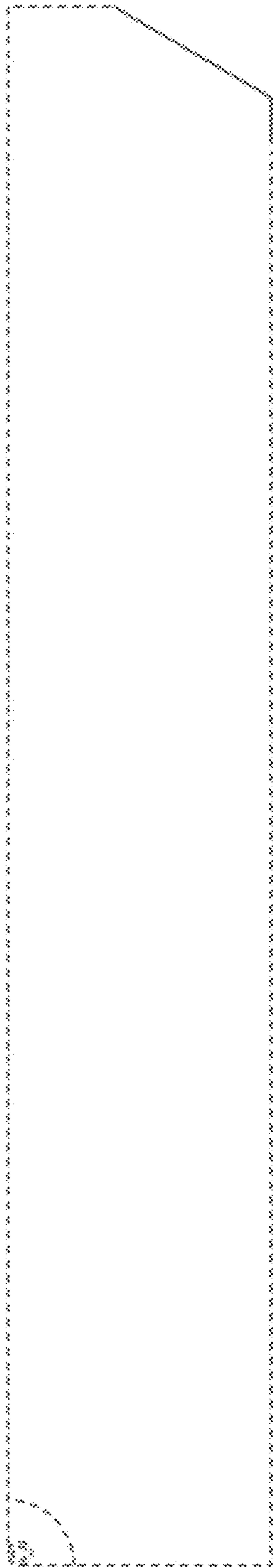


FIG. 5

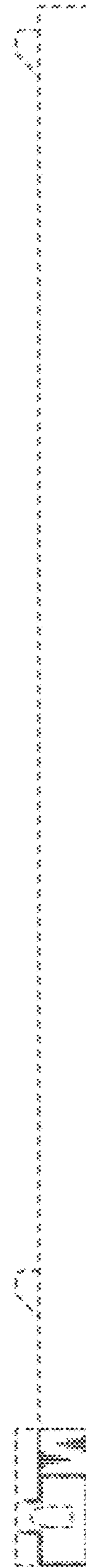


FIG. 6

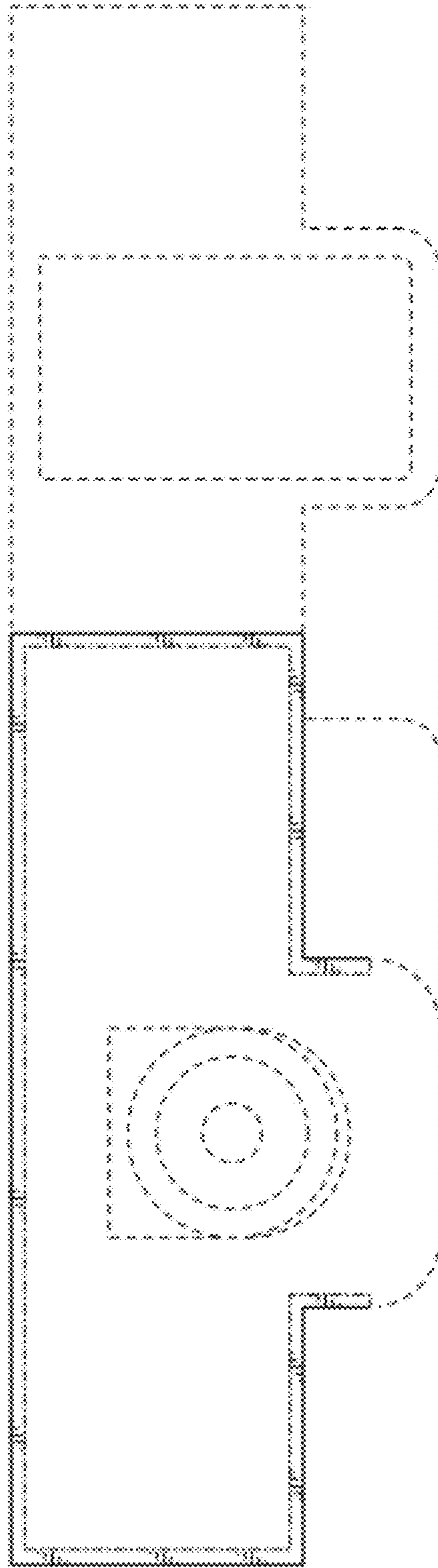


FIG. 7

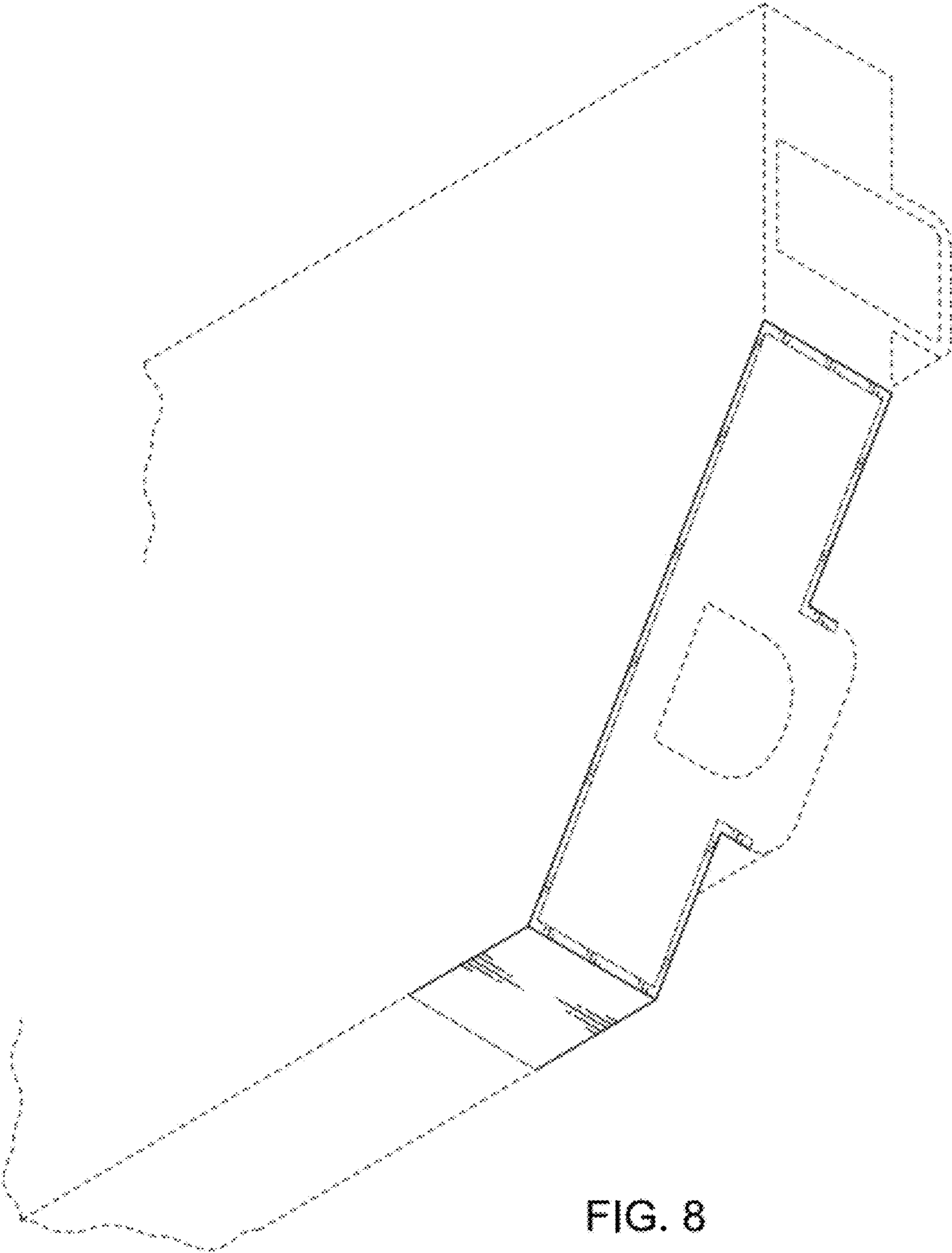


FIG. 8