



US00D667487S

(12) **United States Design Patent**
Falk et al.

(10) **Patent No.:** **US D667,487 S**

(45) **Date of Patent:** **** Sep. 18, 2012**

(54) **PRINTER**

(75) Inventors: **Kevin L. Falk**, Boise, ID (US); **Dennis M. Terenzio**, Boise, ID (US)

(73) Assignee: **Hewlett-Packard Development Company, L.P.**, Houston, TX (US)

(**) Term: **14 Years**

(21) Appl. No.: **29/376,936**

(22) Filed: **Oct. 14, 2010**

(51) **LOC (9) Cl.** **14-02**

(52) **U.S. Cl.** **D18/55**

(58) **Field of Classification Search** D14/420-425,
D14/463-470; D18/14, 19, 36-37, 50, 54,
D18/54.1, 55; 400/613, 613.1-613.4, 690,
400/690.1-609.4, 691-694

See application file for complete search history.

(56) **References Cited**

U.S. PATENT DOCUMENTS

D443,891 S * 6/2001 Yonekawa et al. D18/55
D452,705 S * 1/2002 Takenouchi et al. D18/55

D478,619 S * 8/2003 Agata et al. D18/55
D587,306 S * 2/2009 Isogai D18/55
D634,361 S * 3/2011 Terenzio et al. D18/55

* cited by examiner

Primary Examiner — Cathy A MacCormac

(57) **CLAIM**

The ornamental design for a printer, substantially as shown and described.

DESCRIPTION

FIG. 1 is a top-left-front perspective view of the design for the printer;

FIG. 2 is a front view thereof;

FIG. 3 is a rear view thereof;

FIG. 4 is a left side view thereof;

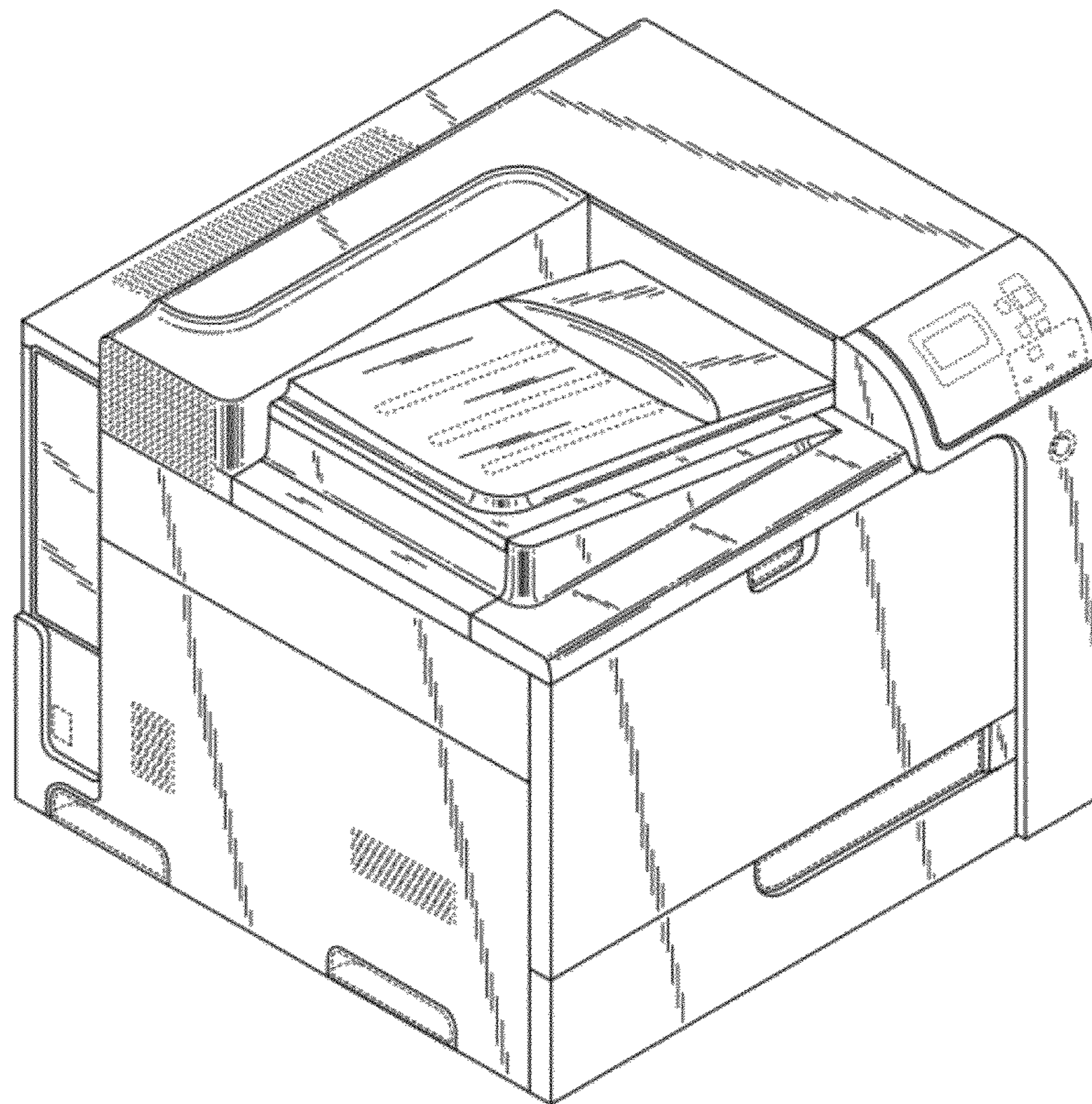
FIG. 5 is a right side view thereof;

FIG. 6 is a top view thereof; and,

FIG. 7 is a bottom view thereof.

The portions shown in broken lines are for illustrative purposes only and form no part of the claimed design.

1 Claim, 7 Drawing Sheets



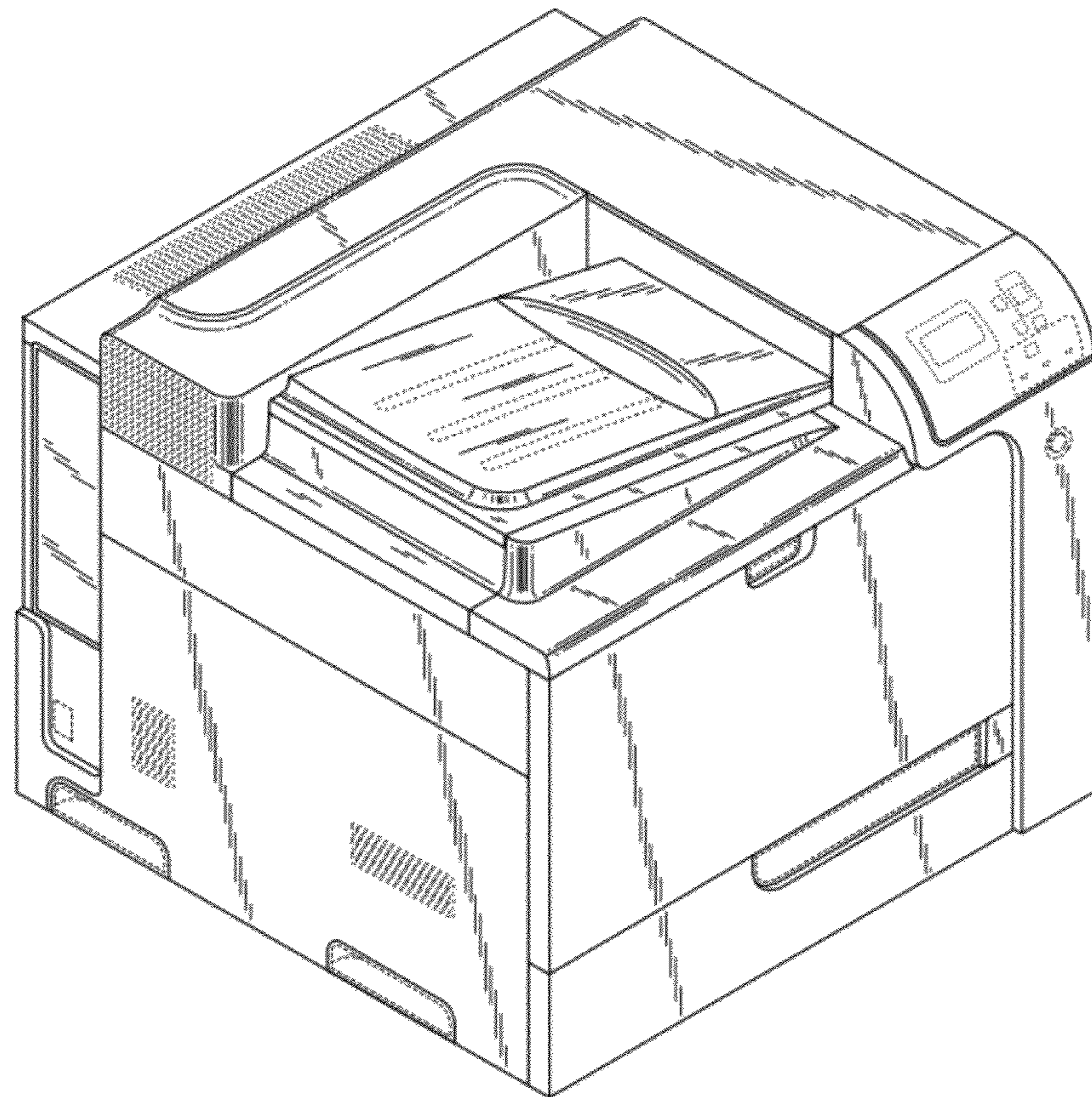


Fig. 1

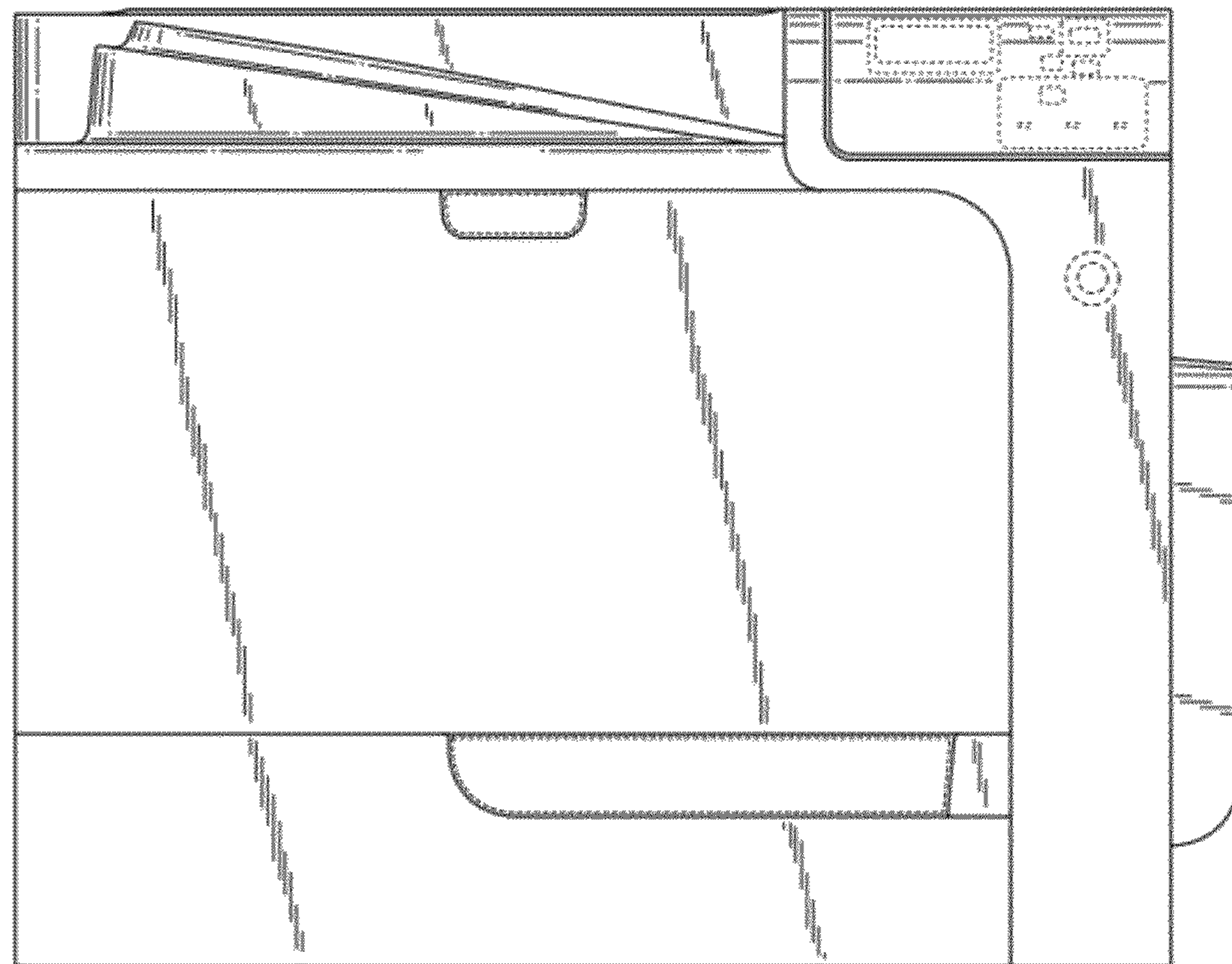


Fig. 2

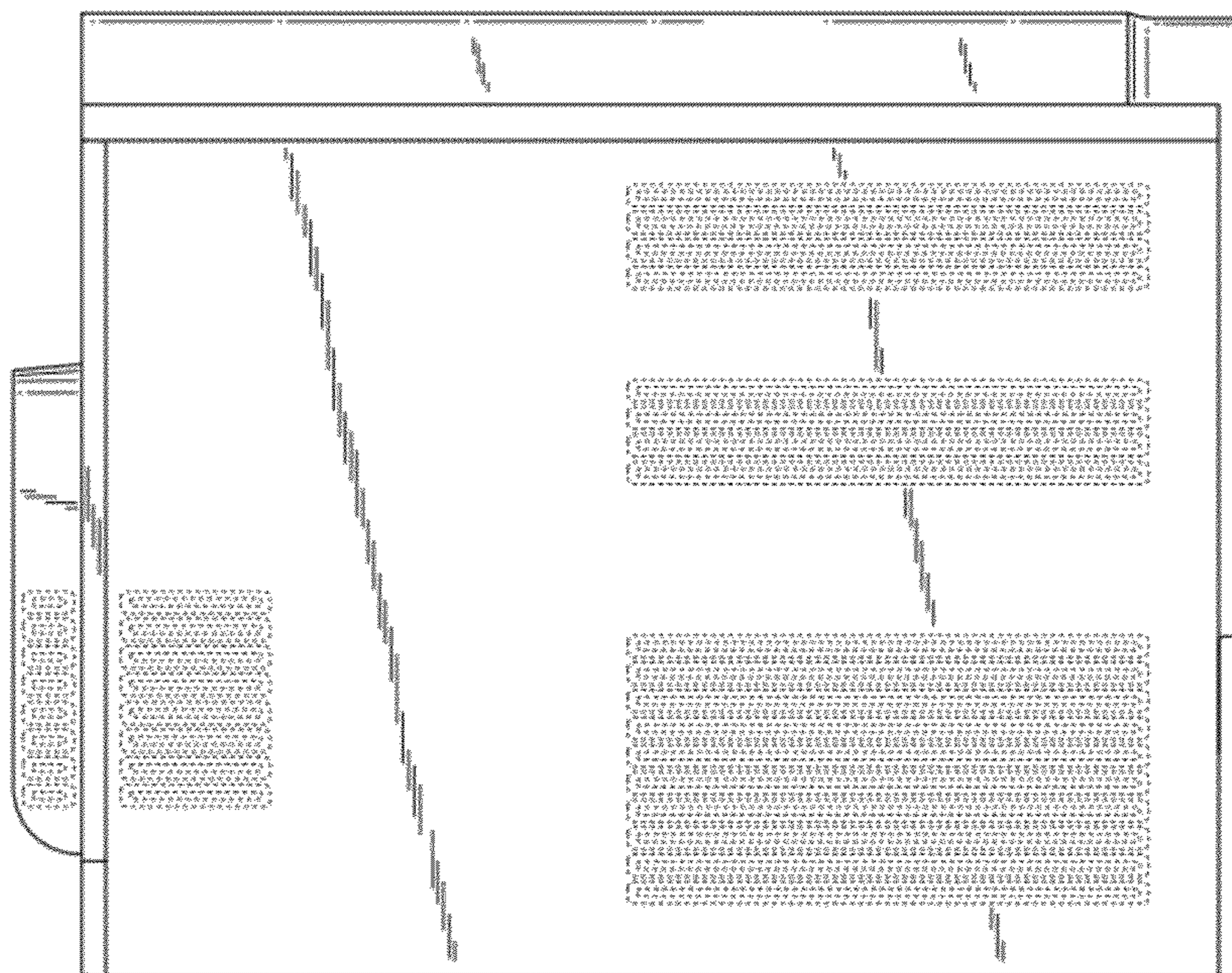


Fig. 3

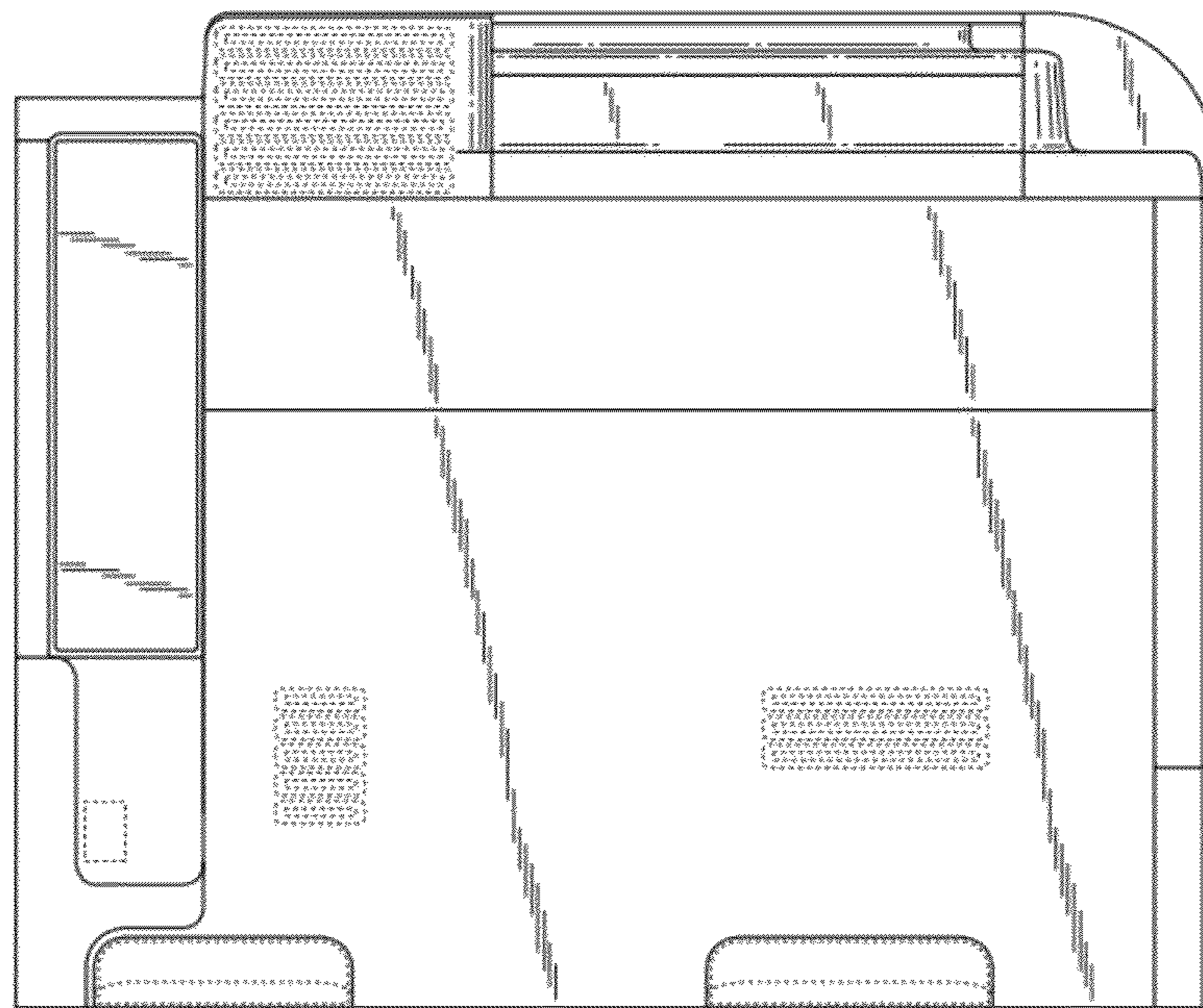


Fig. 4

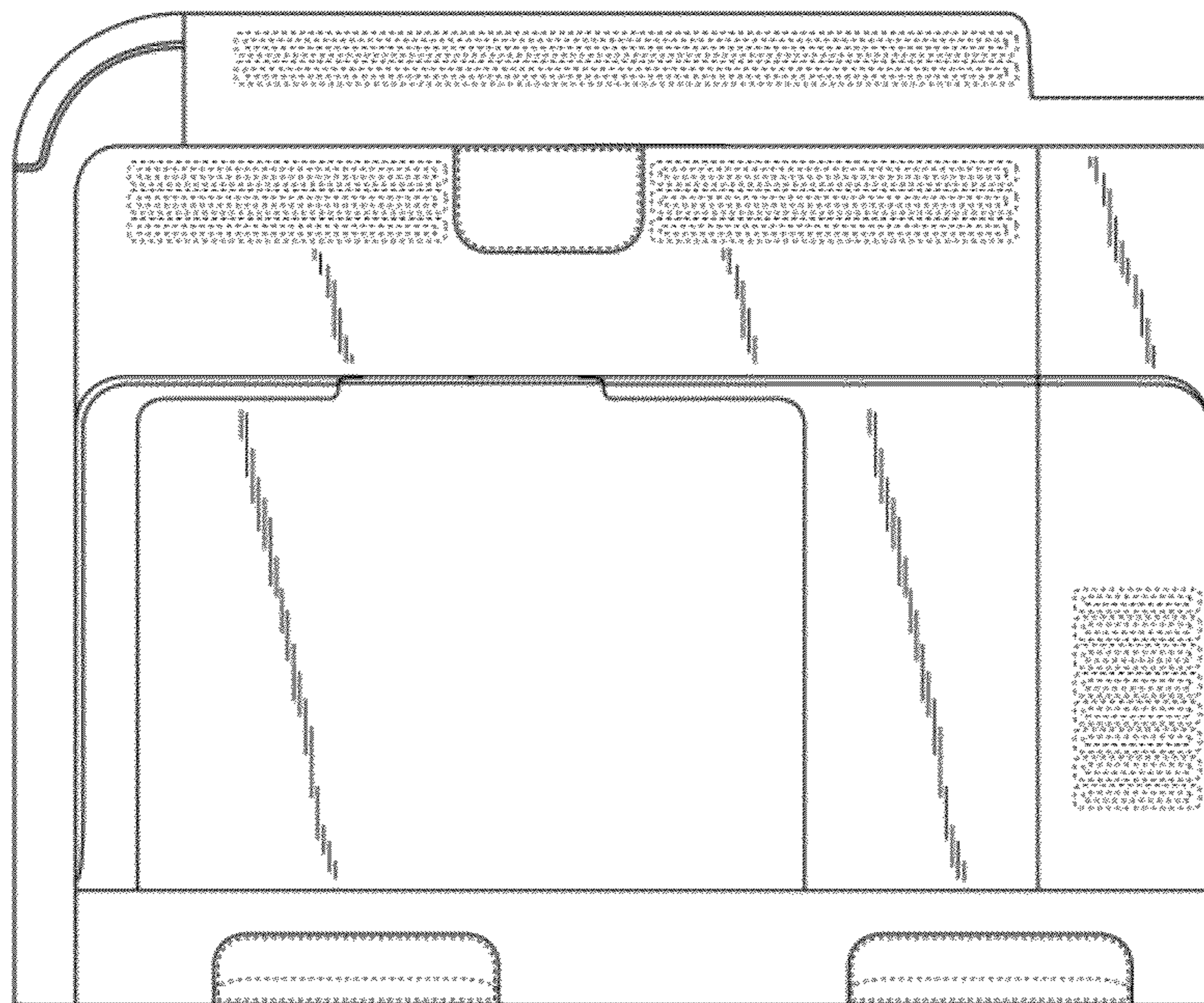


Fig. 5

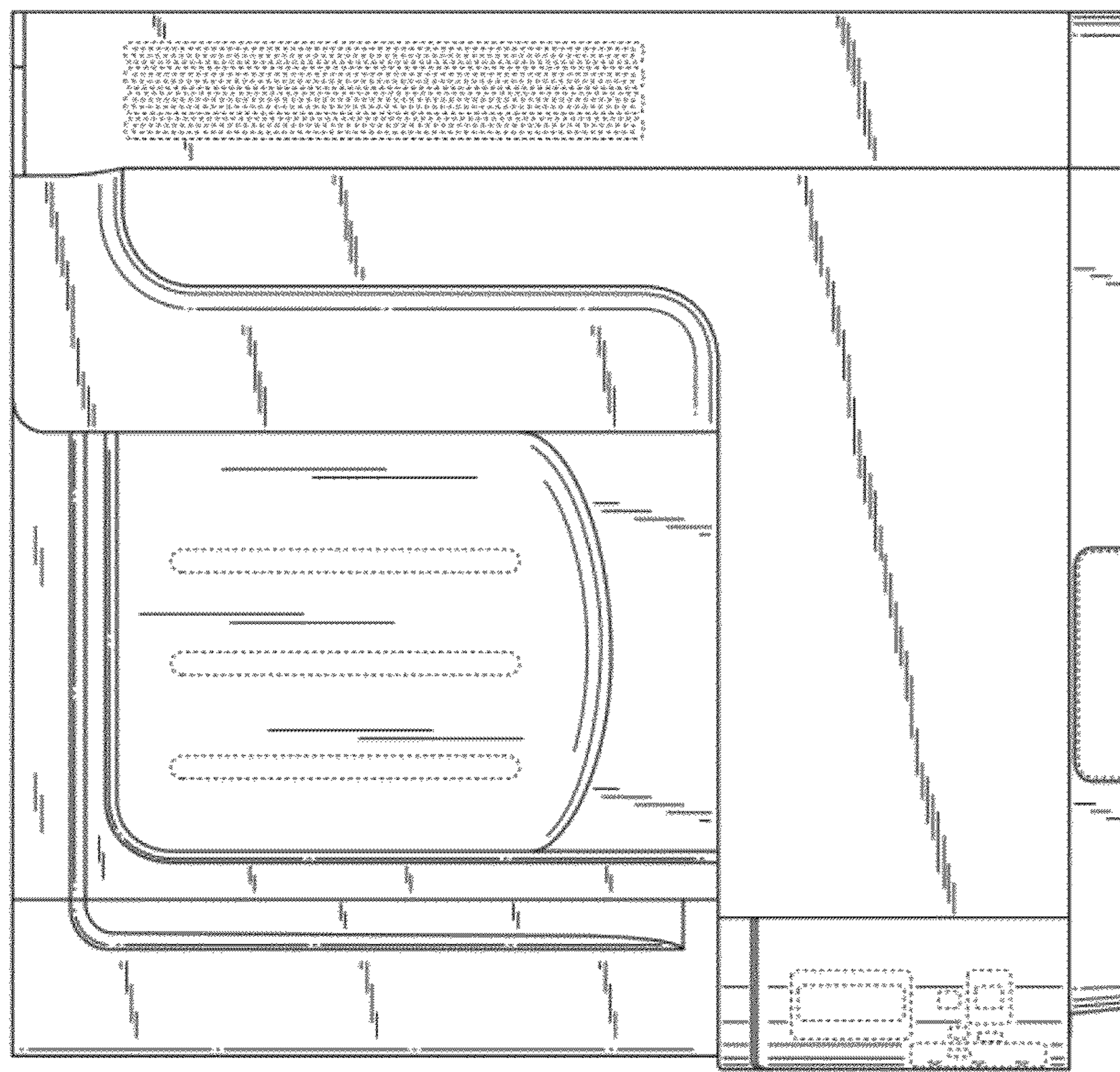


Fig. 6

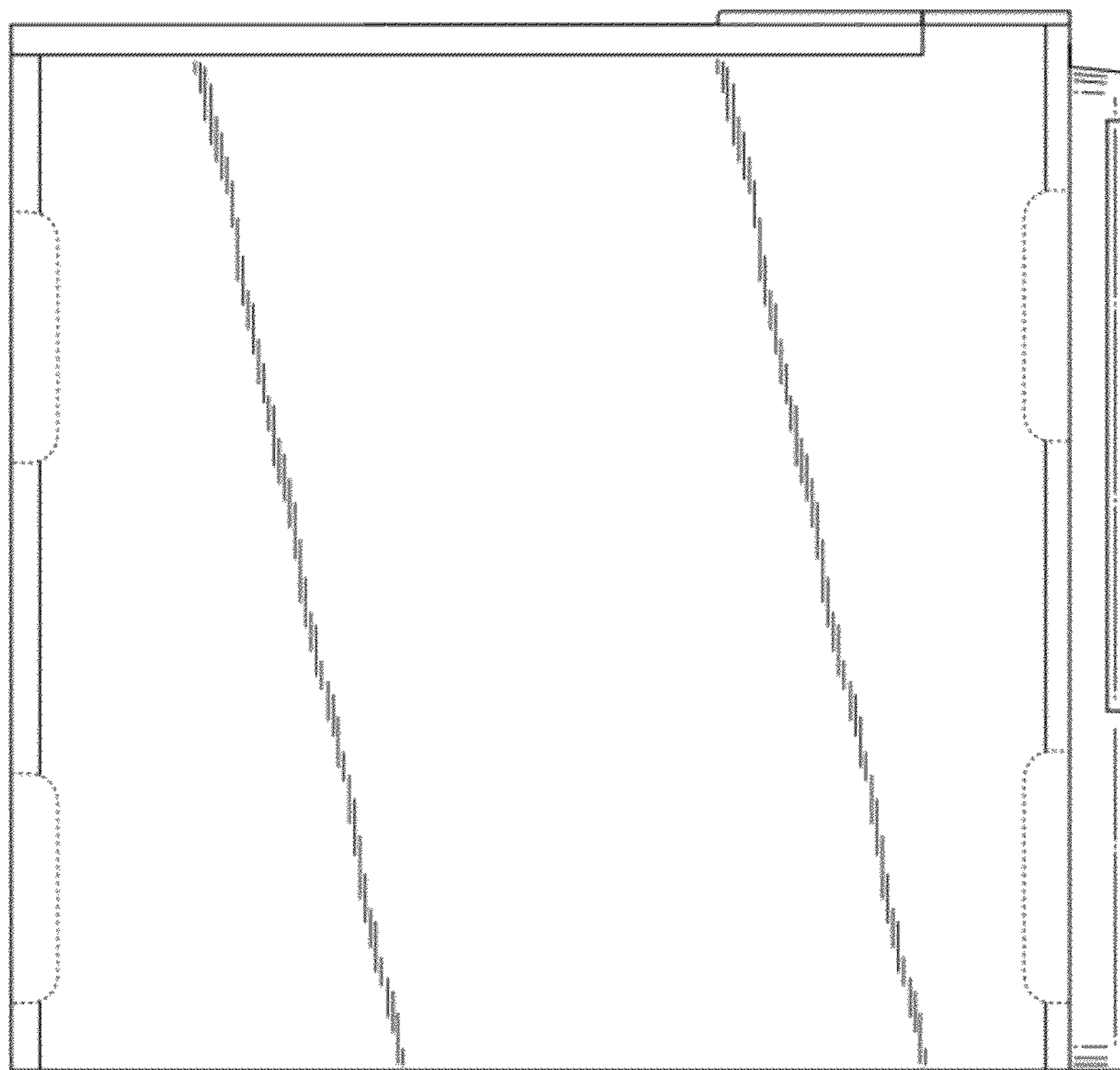


Fig. 7