

US00D667486S

(12) **United States Design Patent**  
**Inoue et al.**

(10) **Patent No.:** **US D667,486 S**  
(45) **Date of Patent:** **\*\* Sep. 18, 2012**

(54) **PRINTER**

(75) Inventors: **Susumu Inoue**, Matsumoto (JP); **Akari Yamamoto**, Shiojiri (JP); **Yasushi Utsugi**, Shiojiri (JP); **Yuto Suzuki**, Shiojiri (JP); **Mami Hashizume**, Ina (JP)

(73) Assignee: **Seiko Epson Corporation** (JP)

(\*\*) Term: **14 Years**

(21) Appl. No.: **29/392,793**

(22) Filed: **May 26, 2011**

(30) **Foreign Application Priority Data**

Dec. 28, 2010 (JP) ..... 2010-031285

(51) **LOC (9) Cl.** ..... **14-02**

(52) **U.S. Cl.** ..... **D18/50**

(58) **Field of Classification Search** ..... D18/19,  
D18/36-37, 50, 54, 54.1, 55; D14/420-425,  
D14/463, 470; 400/613, 613.1-613.4, 690,  
400/690.1-690.4, 691-694

See application file for complete search history.

(56) **References Cited**

**U.S. PATENT DOCUMENTS**

D517,595 S \* 3/2006 Miyauchi et al. .... D18/55  
D518,515 S \* 4/2006 Miyauchi et al. .... D18/55

D534,578 S \* 1/2007 Katayama et al. .... D18/55  
D584,344 S \* 1/2009 Lee et al. .... D18/43  
D586,384 S \* 2/2009 Yamaguchi et al. .... D18/55  
D586,385 S \* 2/2009 Kim et al. .... D18/55  
D589,084 S \* 3/2009 Suzuki et al. .... D18/36  
D596,226 S \* 7/2009 Yamaguchi .... D18/55  
D617,374 S \* 6/2010 Sasaki et al. .... D18/50

\* cited by examiner

*Primary Examiner* — Cathy A MacCormac

(74) *Attorney, Agent, or Firm* — Harness, Dickey & Pierce, P.L.C.

(57) **CLAIM**

The ornamental design for a printer, as shown and described.

**DESCRIPTION**

FIG. 1 is a perspective view of a printer, as viewed from the top, front and right side, embodying our new design;

FIG. 2 is a front view thereof;

FIG. 3 is a rear view thereof;

FIG. 4 is a left side view thereof;

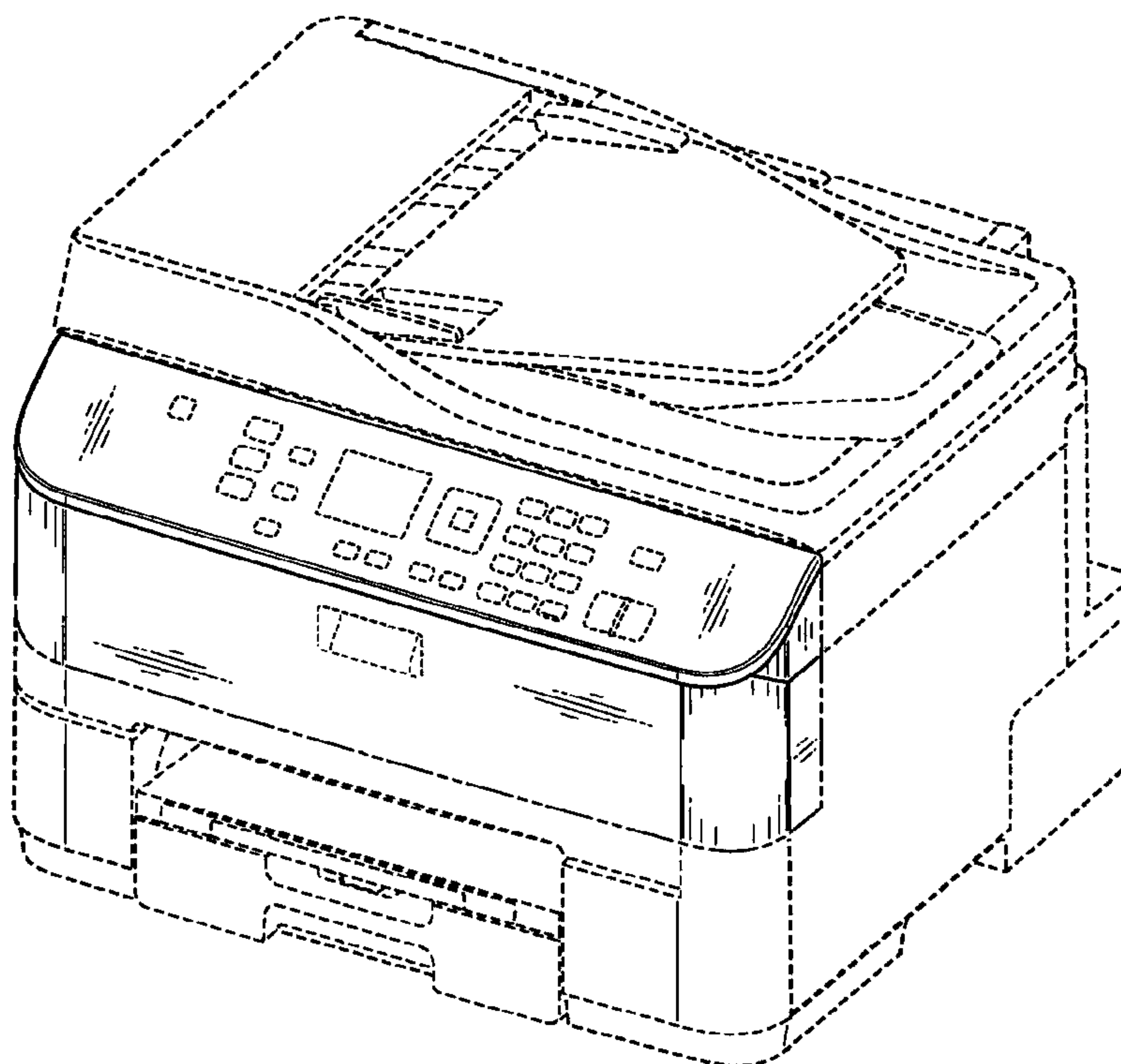
FIG. 5 is a right side view thereof;

FIG. 6 is a top view thereof; and,

FIG. 7 is a bottom view thereof.

The line-dot-line broken lines represent boundary lines. The equally spaced broken lines represent environmental matter. Both the line-dot-line broken lines and equally spaced broken lines are for illustrative purposes only and form no part of the claimed invention.

**1 Claim, 4 Drawing Sheets**



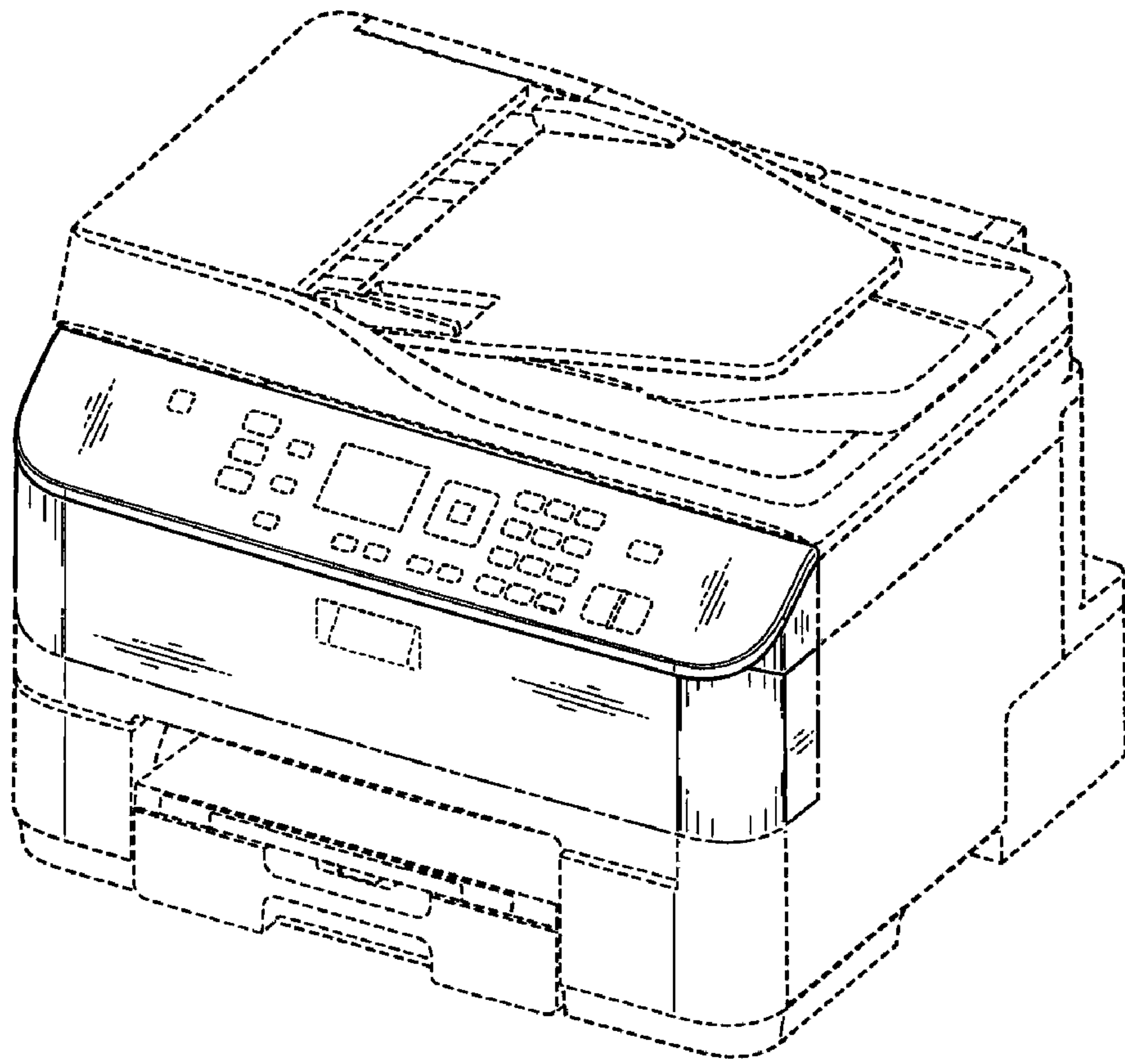


FIG. 1

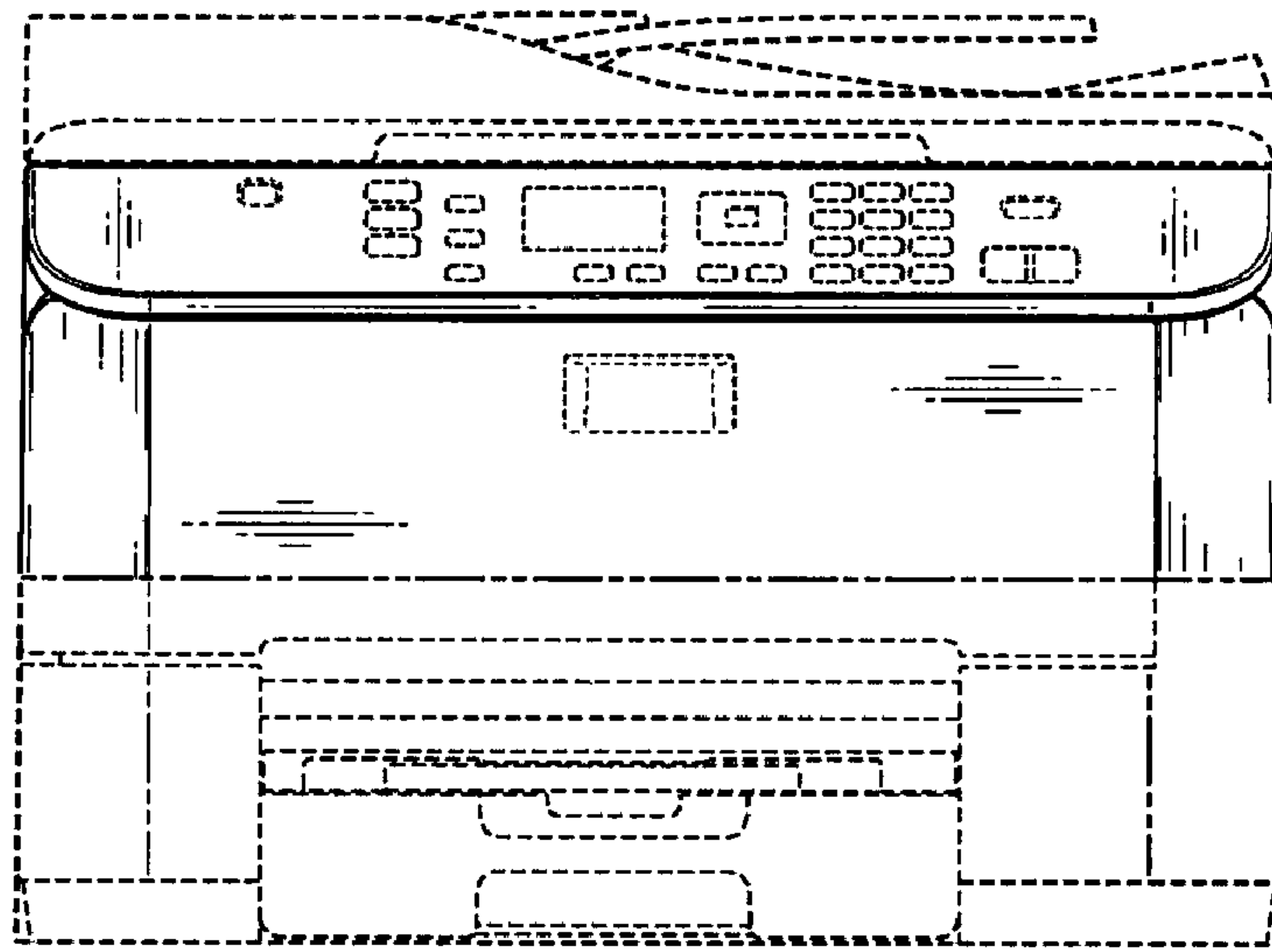


FIG. 2

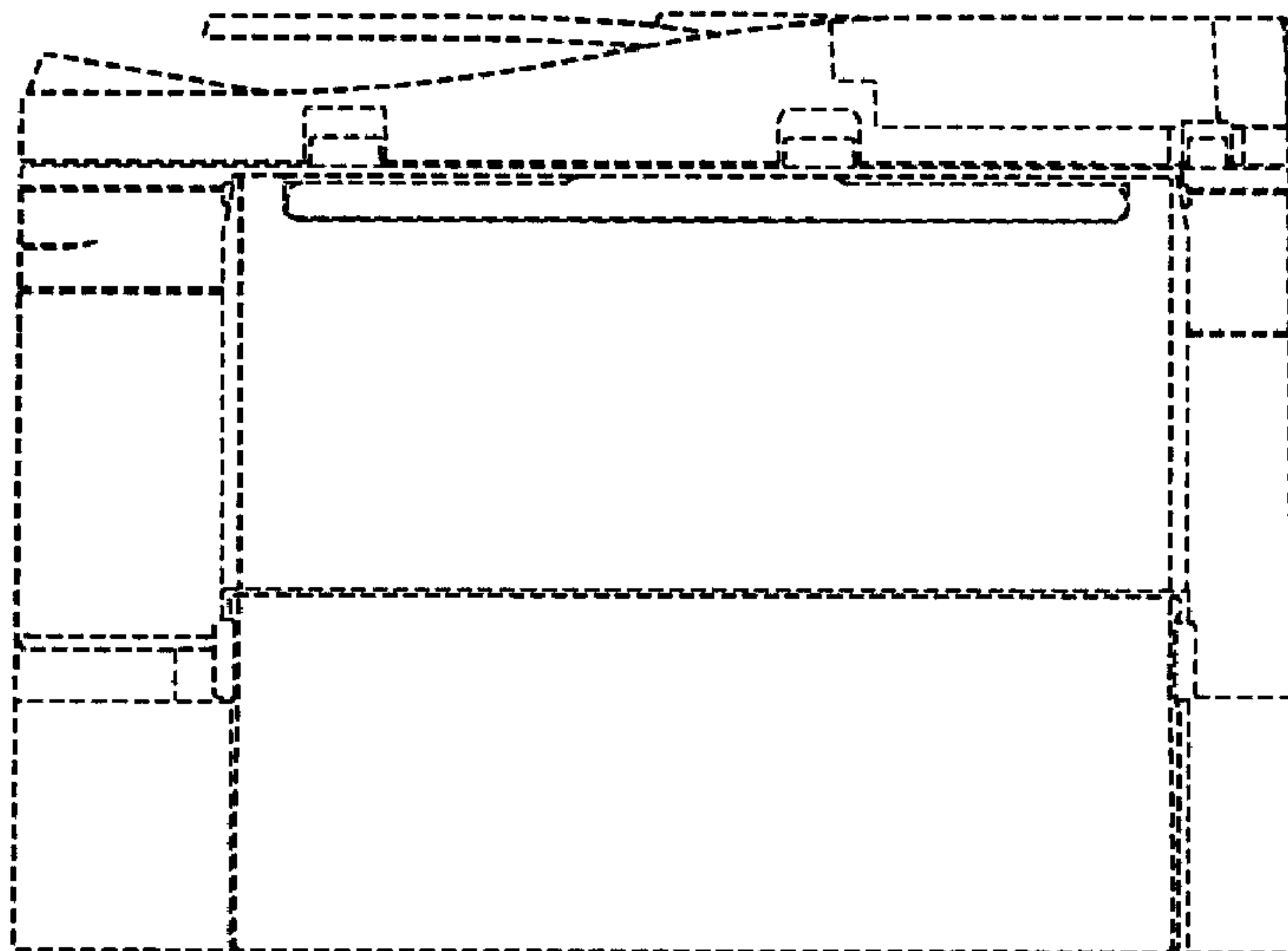


FIG. 3

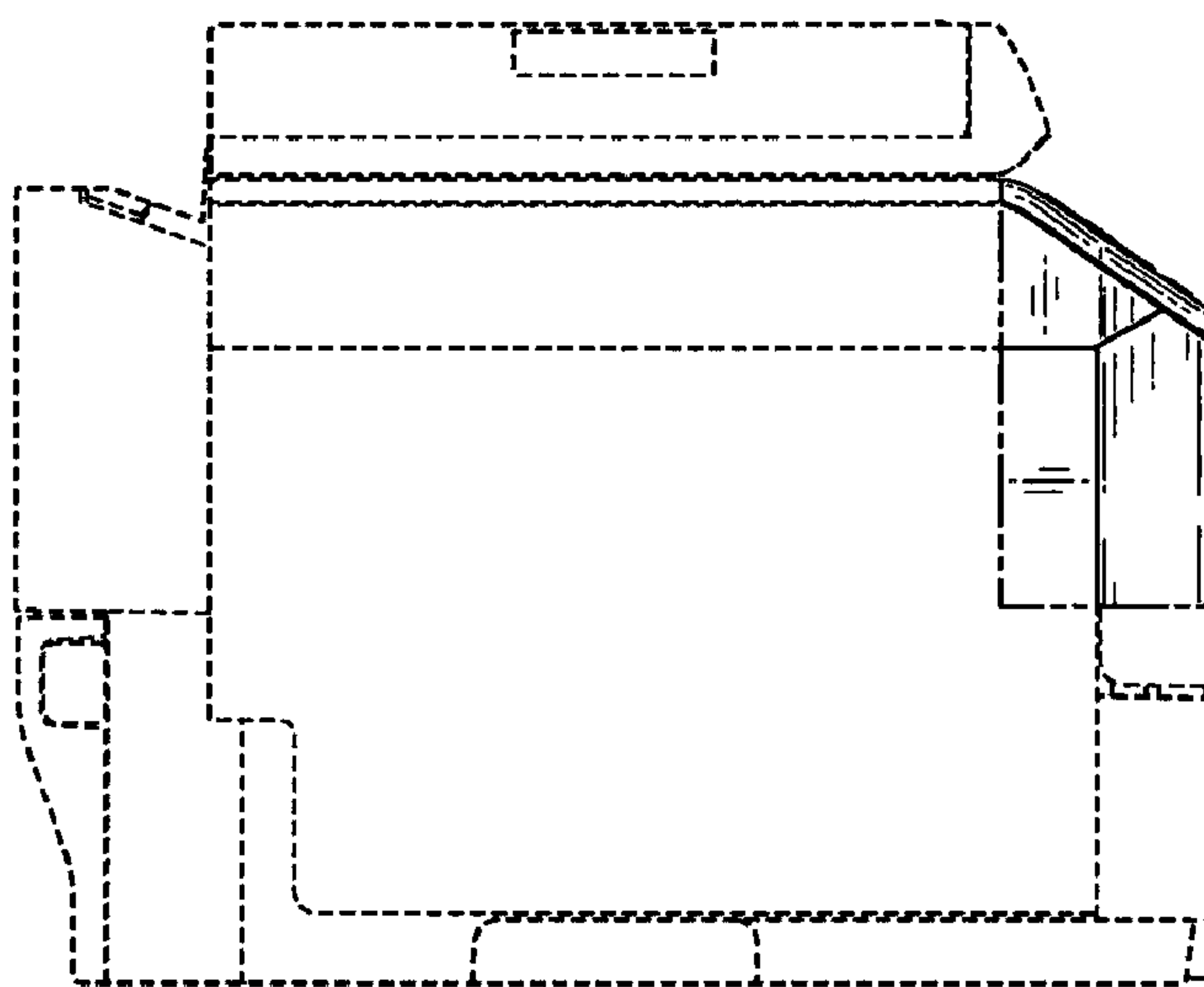


FIG. 4

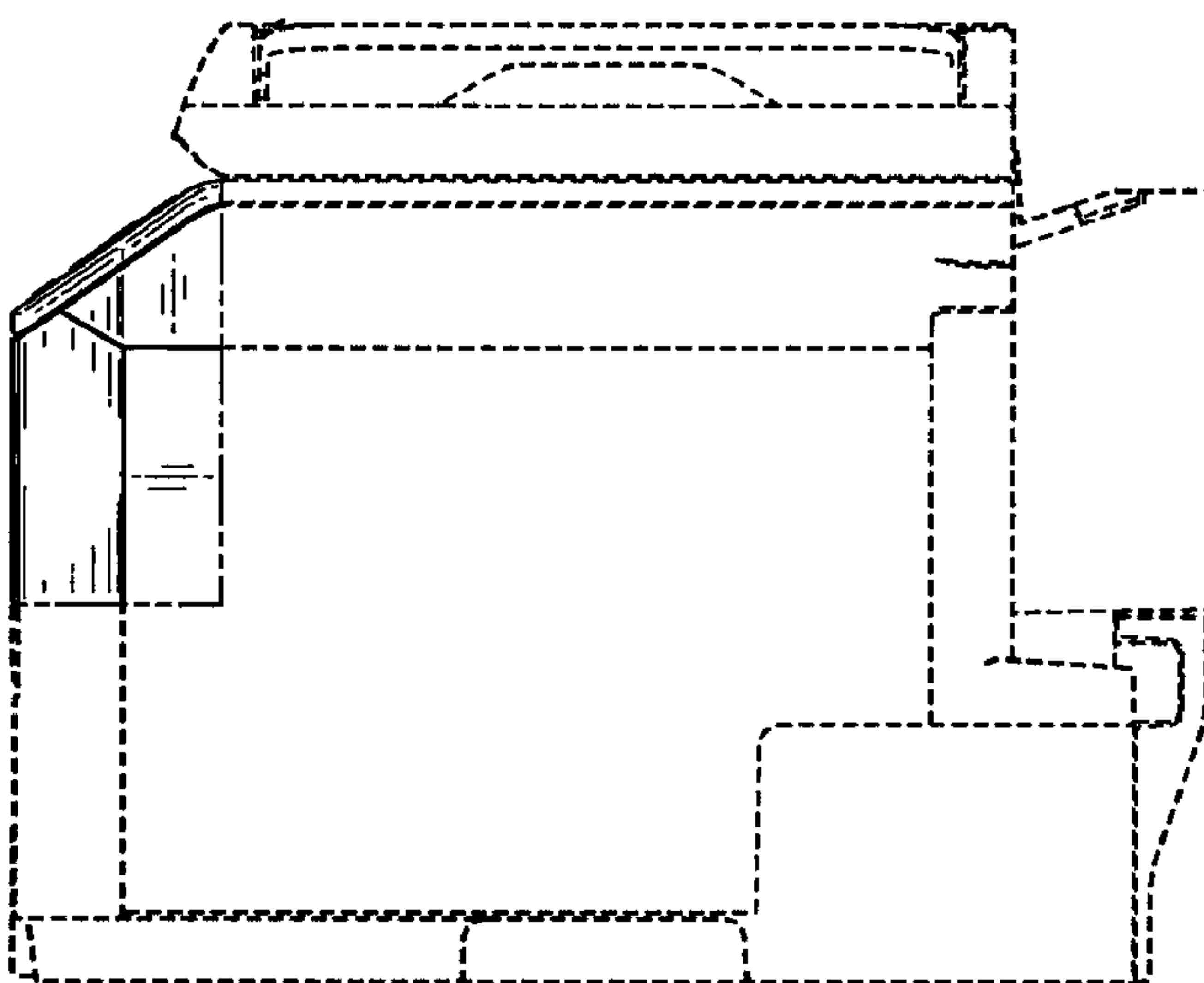


FIG. 5

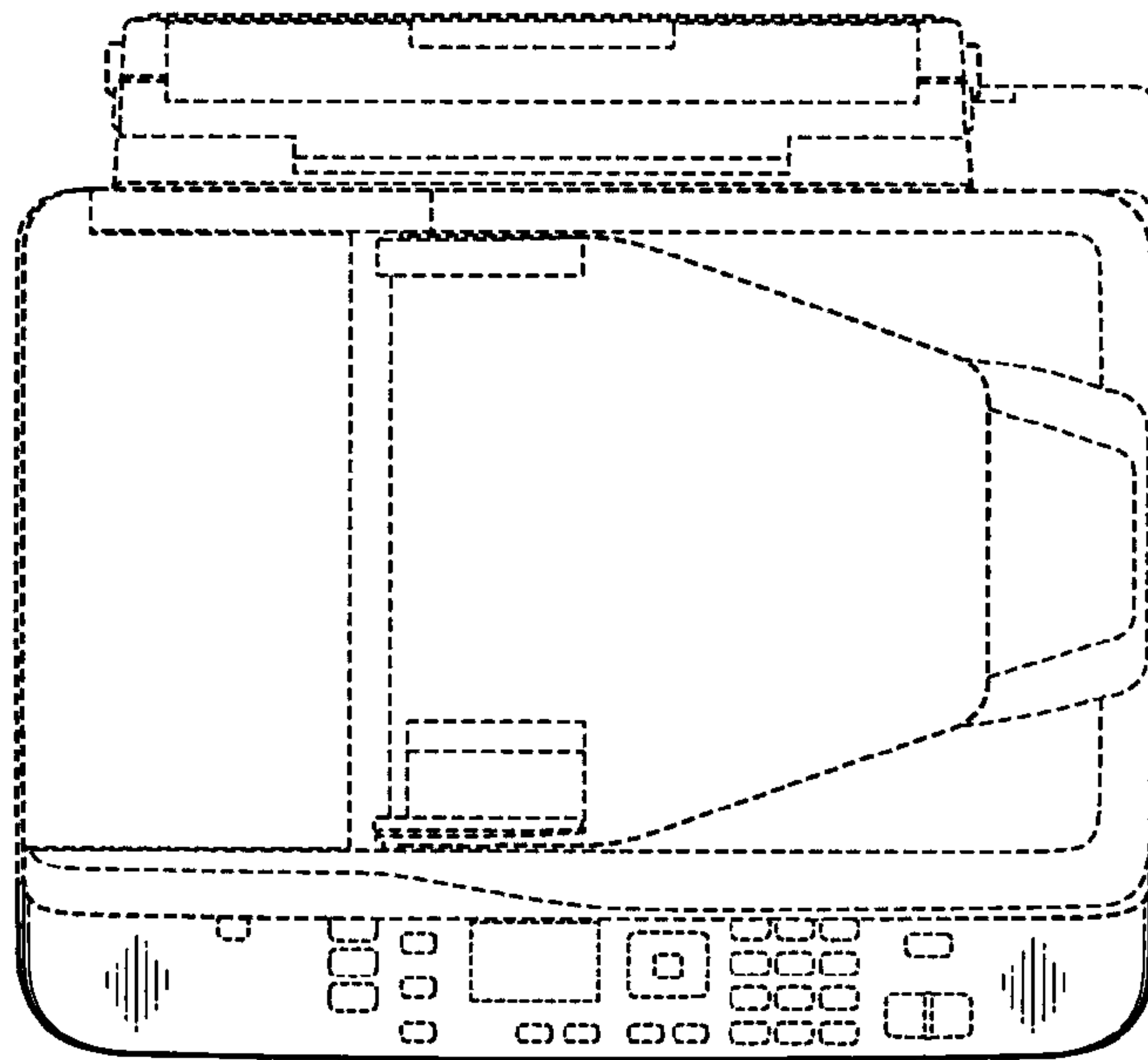


FIG. 6

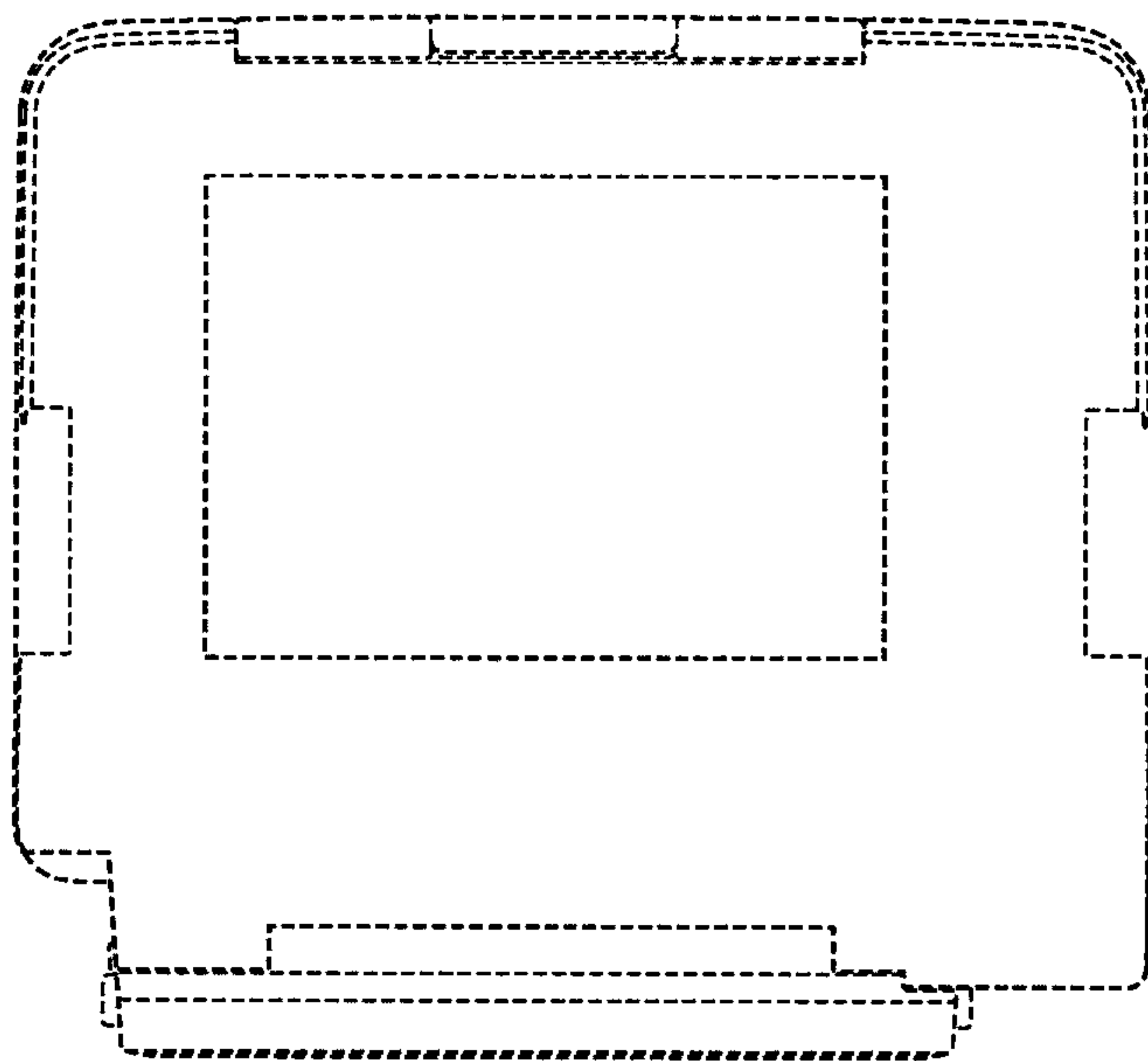


FIG. 7