



US00D667483S

(12) **United States Design Patent**
Krsmanovic

(10) **Patent No.:** **US D667,483 S**

(45) **Date of Patent:** **** Sep. 18, 2012**

(54) **AUDIO-VISUAL STIMULATION
SPECTACLES WITH HEADPHONES**

(75) **Inventor:** **Stephane Krsmanovic**, Ohain (BE)

(73) **Assignee:** **Psychomed.com S.A.**, Ohain (BE)

(**) **Term:** **14 Years**

(21) **Appl. No.:** **29/412,934**

(22) **Filed:** **Feb. 9, 2012**

(30) **Foreign Application Priority Data**

Aug. 9, 2011 (BX) 84088-00

(51) **LOC (9) Cl.** **16-06**

(52) **U.S. Cl.** **D16/309; D16/300**

(58) **Field of Classification Search** D16/101,
D16/300-342, 900; D29/109-110; D24/110.2;
351/41, 44, 51-52, 62, 158, 92, 103-123,
351/140, 153, 45-46; 2/426-432, 447-449,
2/441, 434-437, 13, 15; D21/483, 659-661;
D14/372

See application file for complete search history.

(56) **References Cited**

U.S. PATENT DOCUMENTS

D569,409 S *	5/2008	Lin	D16/301
D587,738 S *	3/2009	Tuli	D16/309
D607,565 S *	1/2010	McClure et al.	D24/172
D611,980 S *	3/2010	Chen	D16/309
D621,805 S *	8/2010	Travers et al.	D14/126
D645,492 S *	9/2011	Zhao	D16/309
D645,493 S *	9/2011	Zhao	D16/309
D646,316 S *	10/2011	Zhao	D16/309
D648,774 S *	11/2011	Pulito et al.	D16/331

* cited by examiner

Primary Examiner — Raphael Barkai

(74) *Attorney, Agent, or Firm* — Ladas & Parry LLP

(57) **CLAIM**

The ornamental design for audio-visual stimulation spectacles with headphones, as shown and described.

DESCRIPTION

FIG. 1 is a perspective view from the top, and left side of the audio-visual stimulation spectacles with headphones embodying my new design;

FIG. 2 is a front elevational view thereof;

FIG. 3 is a rear elevational view thereof;

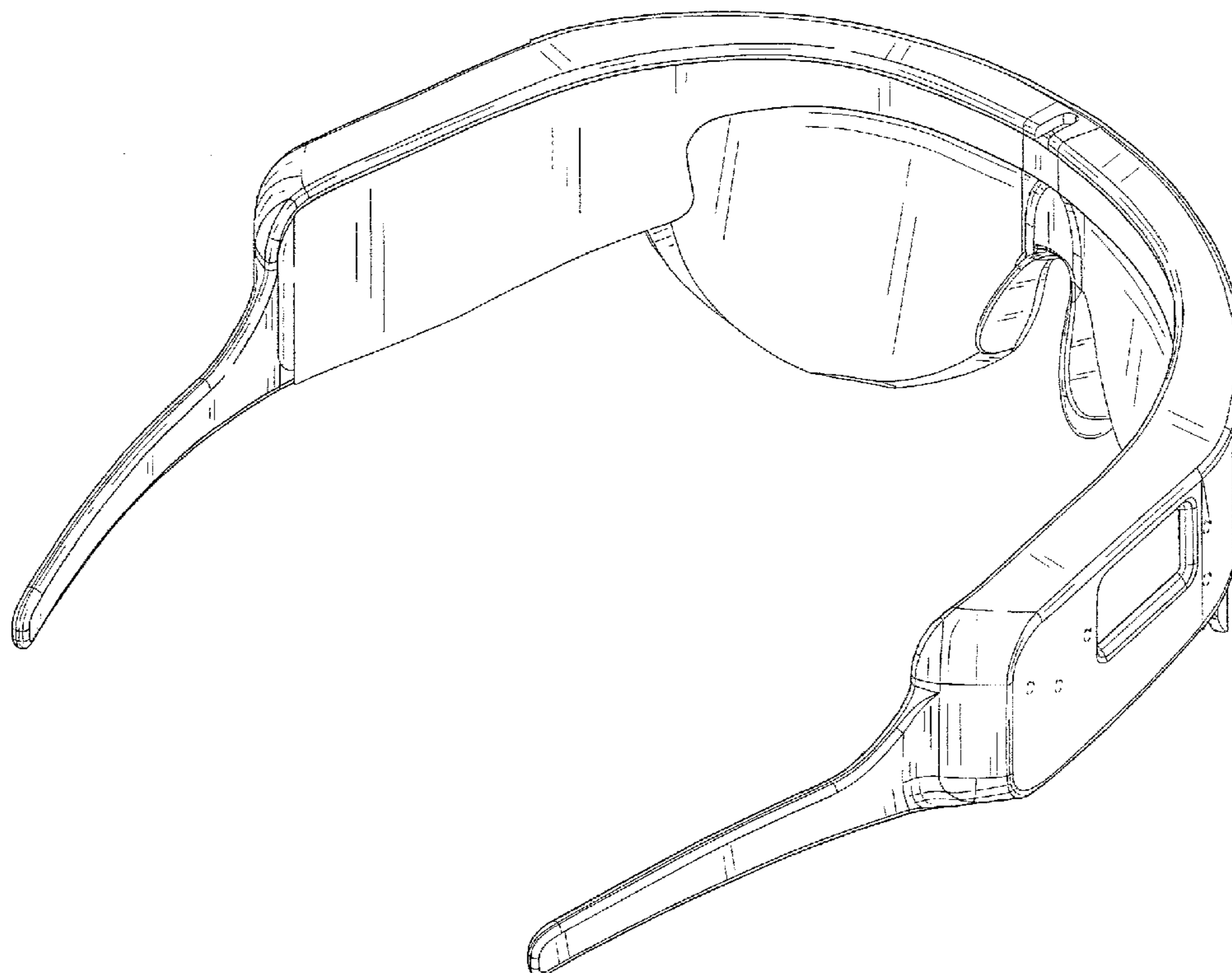
FIG. 4 is a left side elevational view thereof;

FIG. 5 is a right side elevational view thereof;

FIG. 6 is a top plan view thereof; and,

FIG. 7 is a bottom plan view thereof.

1 Claim, 7 Drawing Sheets



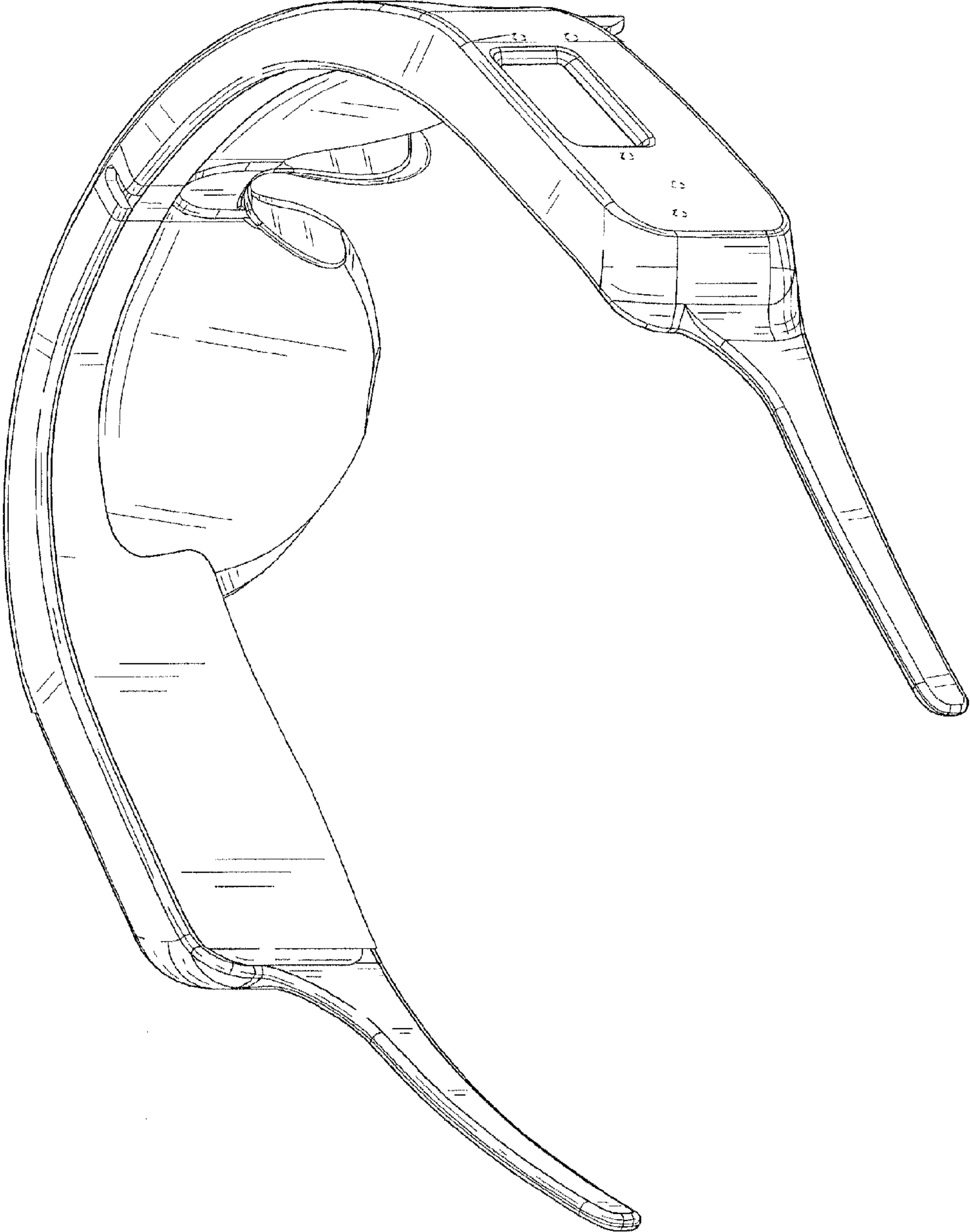


FIG. 1

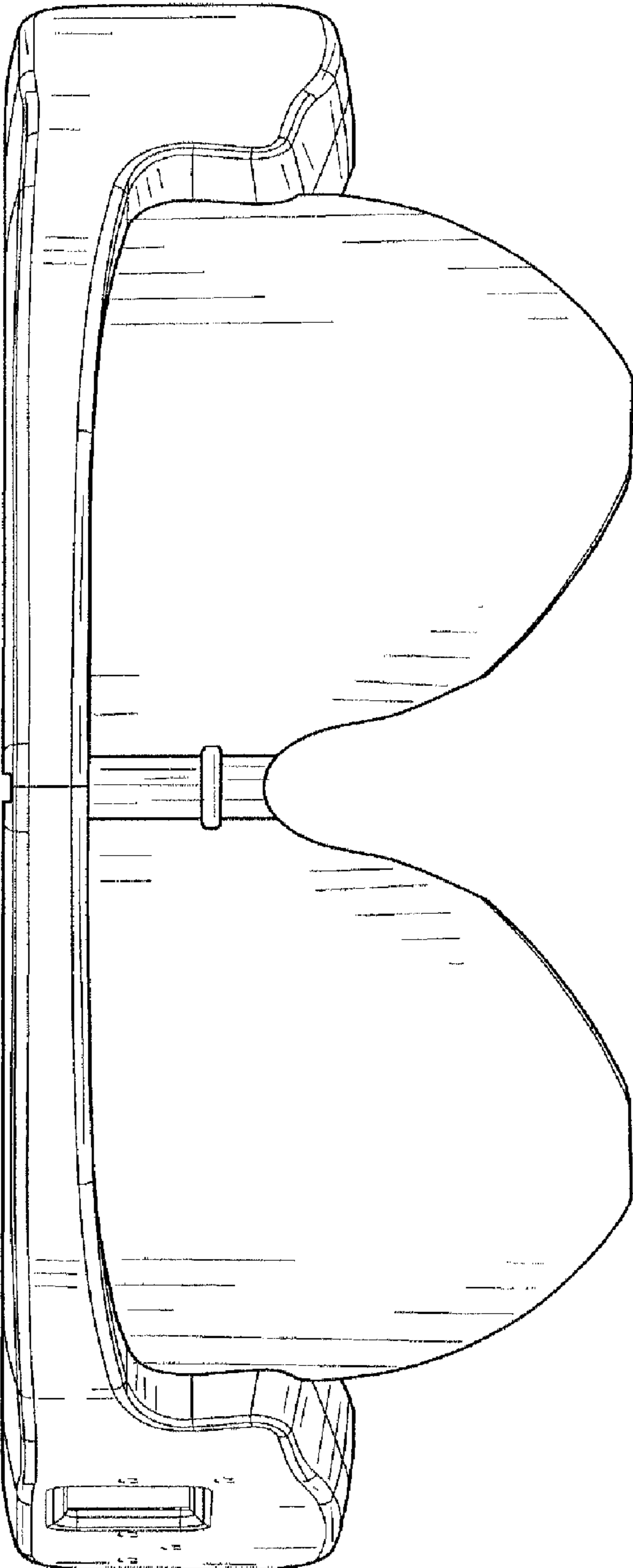


FIG. 2

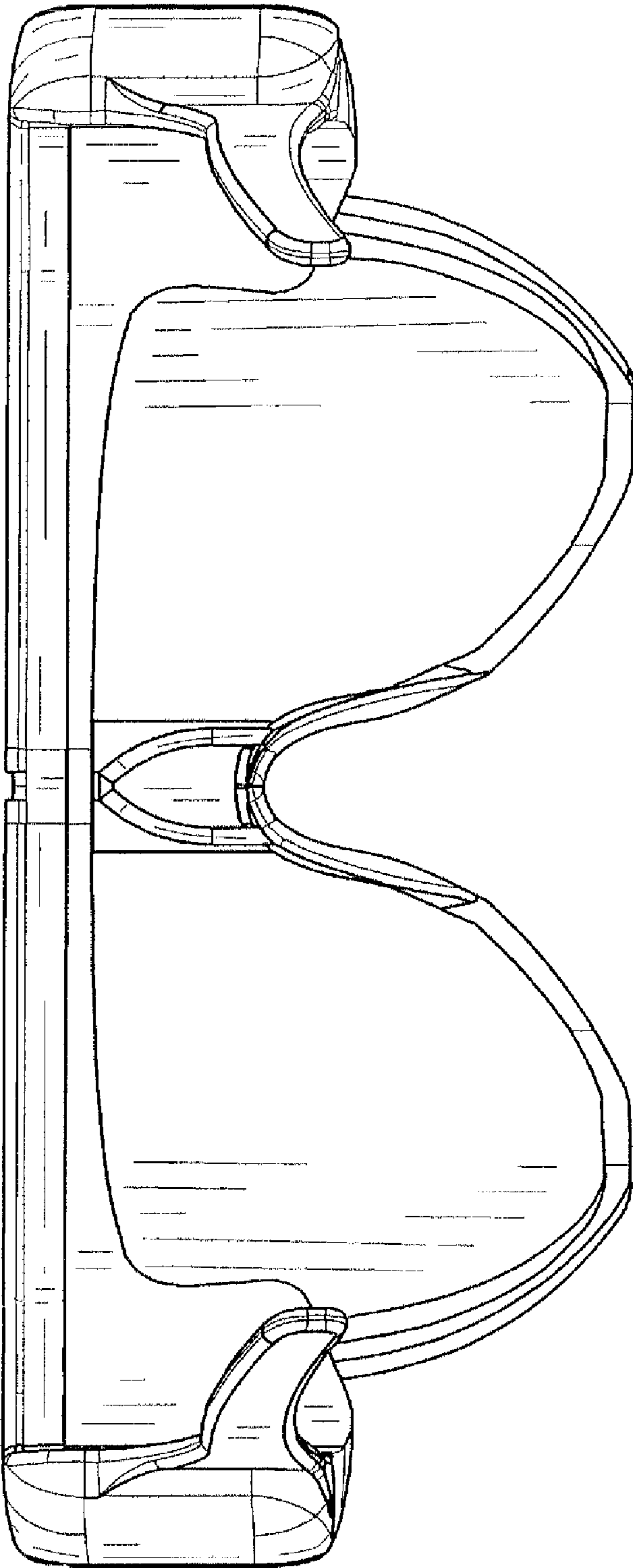


FIG. 3

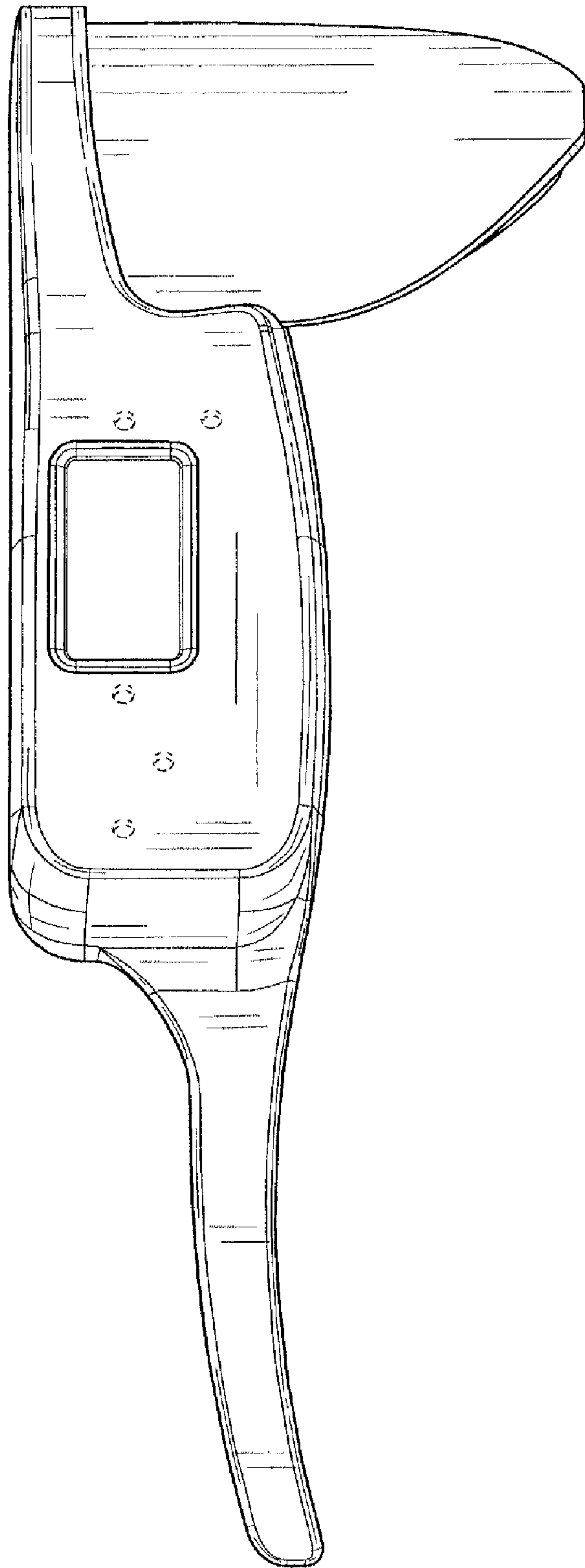


FIG. 4

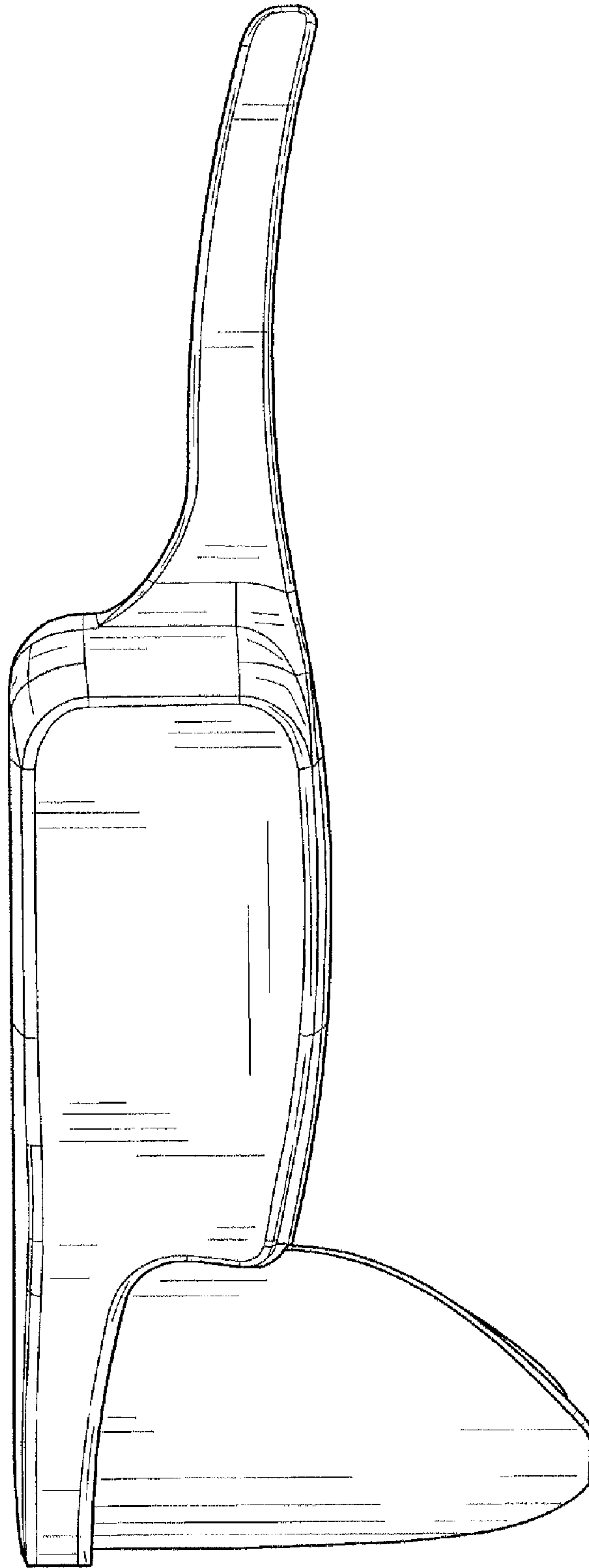


FIG. 5

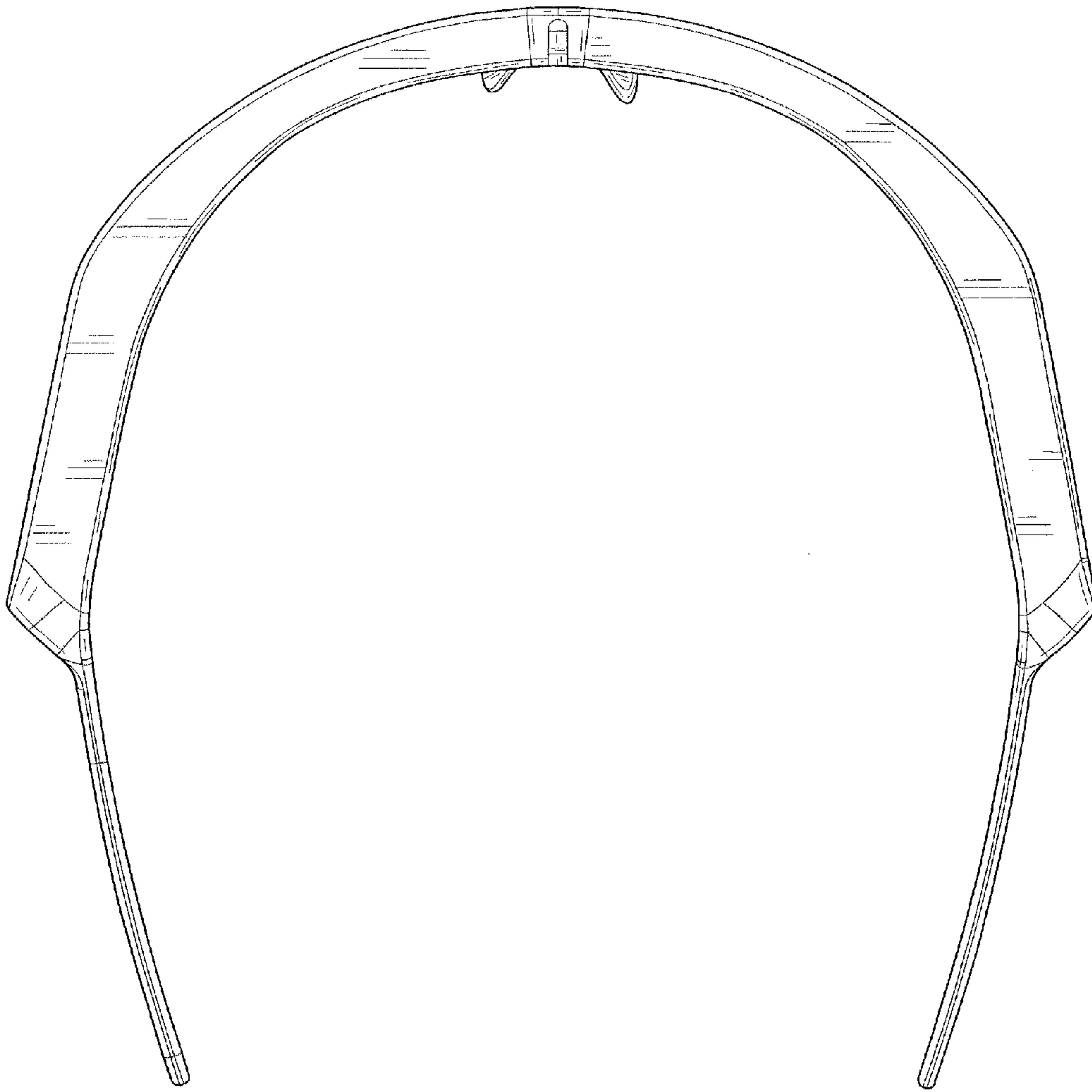


FIG. 6

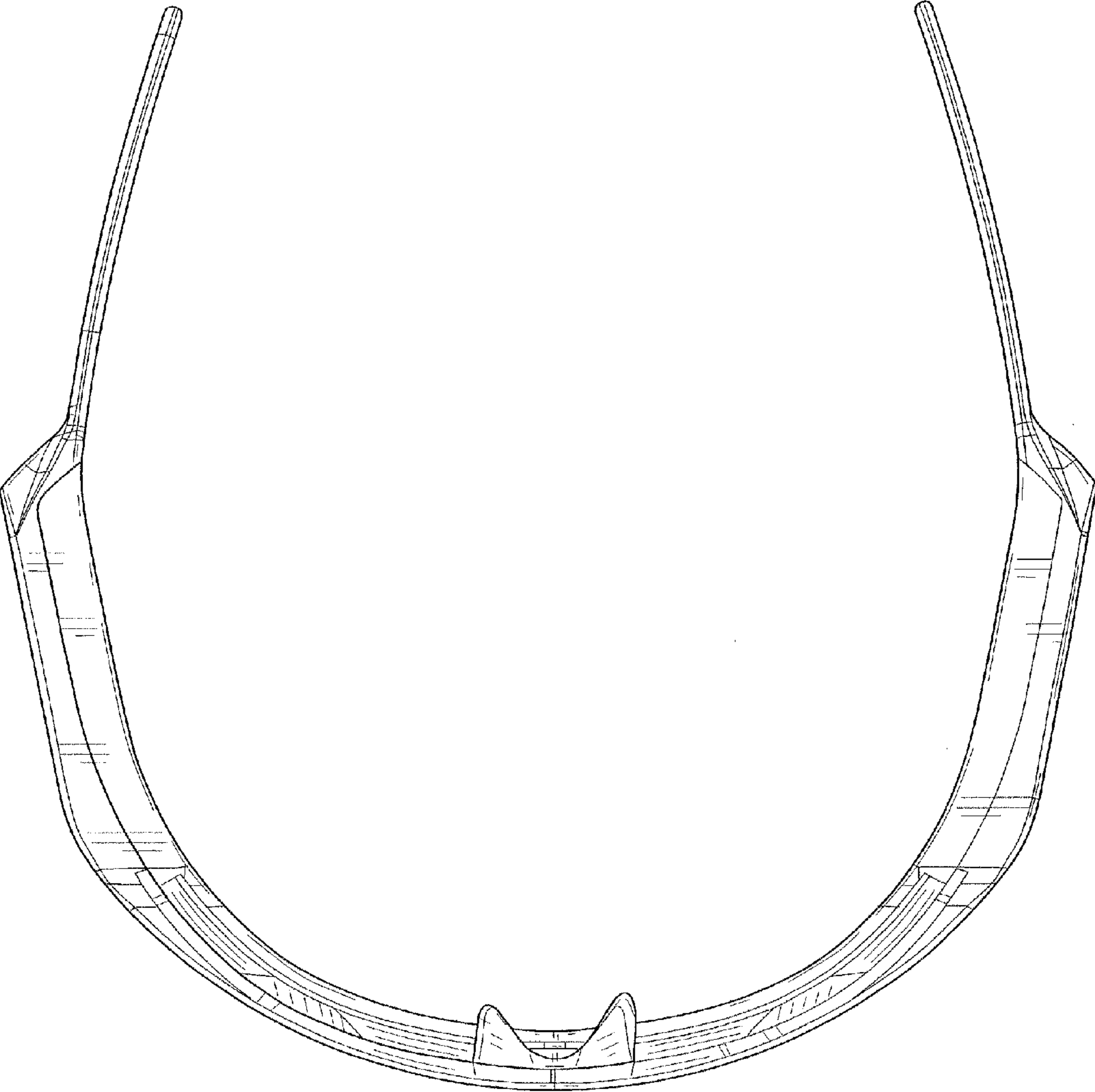


FIG. 7