



US00D667480S

(12) **United States Design Patent**
Yamada et al.

(10) **Patent No.:** **US D667,480 S**

(45) **Date of Patent:** **** Sep. 18, 2012**

(54) **PROJECTOR**

(75) Inventors: **Takahisa Yamada**, Tokyo (JP);
Toshiyuki Yamaguchi, Tokyo (JP);
Yasushi Itou, Tokyo (JP); **Kazuya Inoue**, Tokyo (JP); **Mitsuhiro Shimizu**, Tokyo (JP)

(73) Assignee: **NEC Display Solutions, Ltd.**, Tokyo (JP)

(**) Term: **14 Years**

(21) Appl. No.: **29/389,774**

(22) Filed: **Apr. 15, 2011**

(30) **Foreign Application Priority Data**

Oct. 18, 2010 (JP) 2010-24870

(51) **LOC (9) Cl.** **16-02**

(52) **U.S. Cl.** **D16/230; D16/225**

(58) **Field of Classification Search** D16/205,
D16/208, 221, 225, 230-231, 234; D21/514;
353/52, 115, 119, 122

See application file for complete search history.

(56) **References Cited**

U.S. PATENT DOCUMENTS

D389,503 S * 1/1998 Shimizu et al. D16/230
D439,594 S * 3/2001 Komatsu et al. D16/231
D450,076 S * 11/2001 Fujimaki D16/230
D451,941 S * 12/2001 Takizawa D16/230

D476,353 S * 6/2003 Morishita et al. D16/231
D555,697 S * 11/2007 Kawabe et al. D16/230
D602,061 S * 10/2009 Tatara et al. D16/230
7,850,309 B2 * 12/2010 Hirouchi et al. 353/52

OTHER PUBLICATIONS

U.S. Appl. No. 29/389,771, filed Apr. 15, 2011, NEC Display Solutions, Ltd.

* cited by examiner

Primary Examiner — Wan Laymon

(74) *Attorney, Agent, or Firm* — Sughrue Mion, PLLC

(57) **CLAIM**

The ornamental design for a projector, as shown and described.

DESCRIPTION

FIG. 1 is a front, right side, top perspective view of a projector showing our new design;

FIG. 2 is a front elevational view thereof;

FIG. 3 is a rear elevational view thereof;

FIG. 4 is a left side view thereof;

FIG. 5 is a right side view thereof;

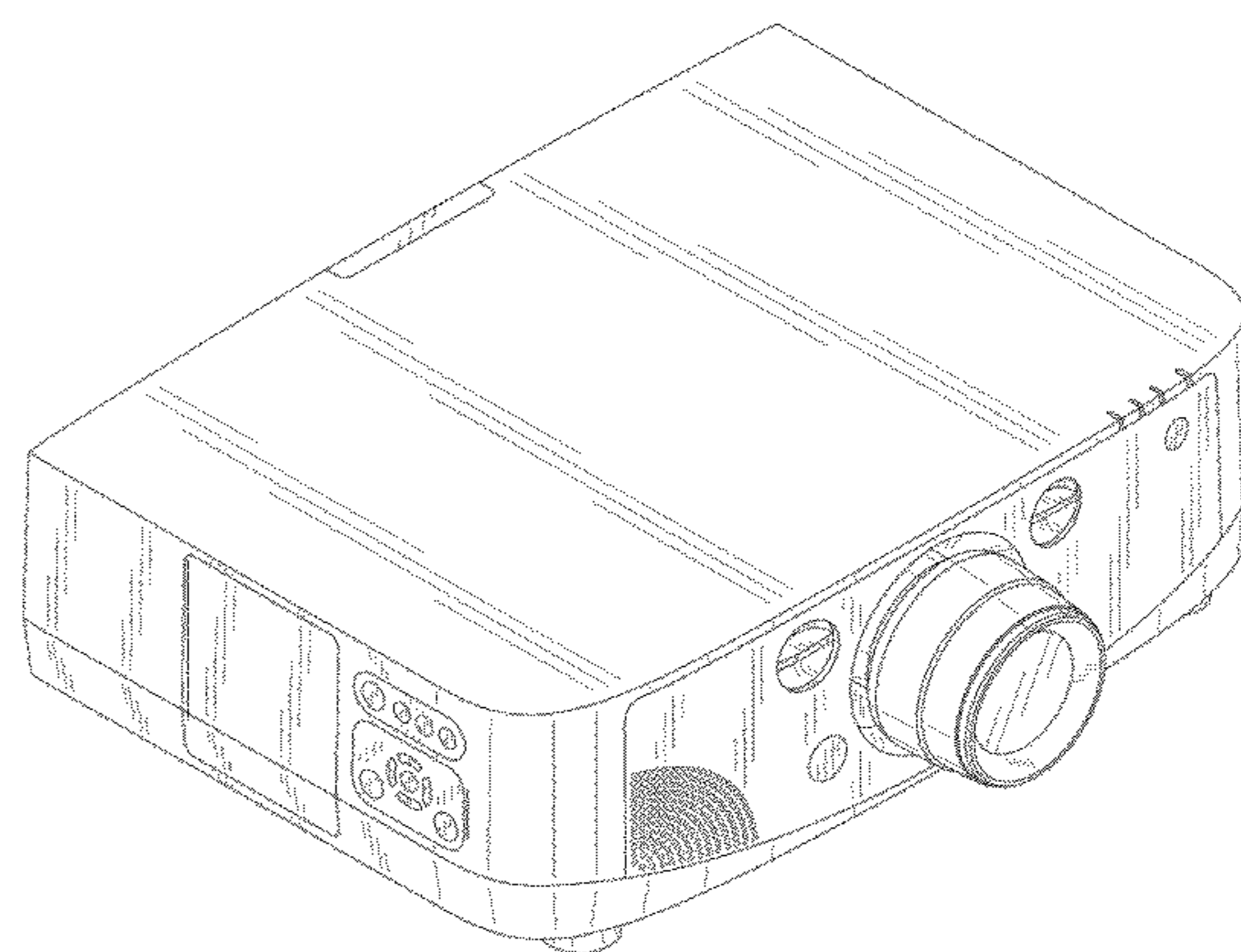
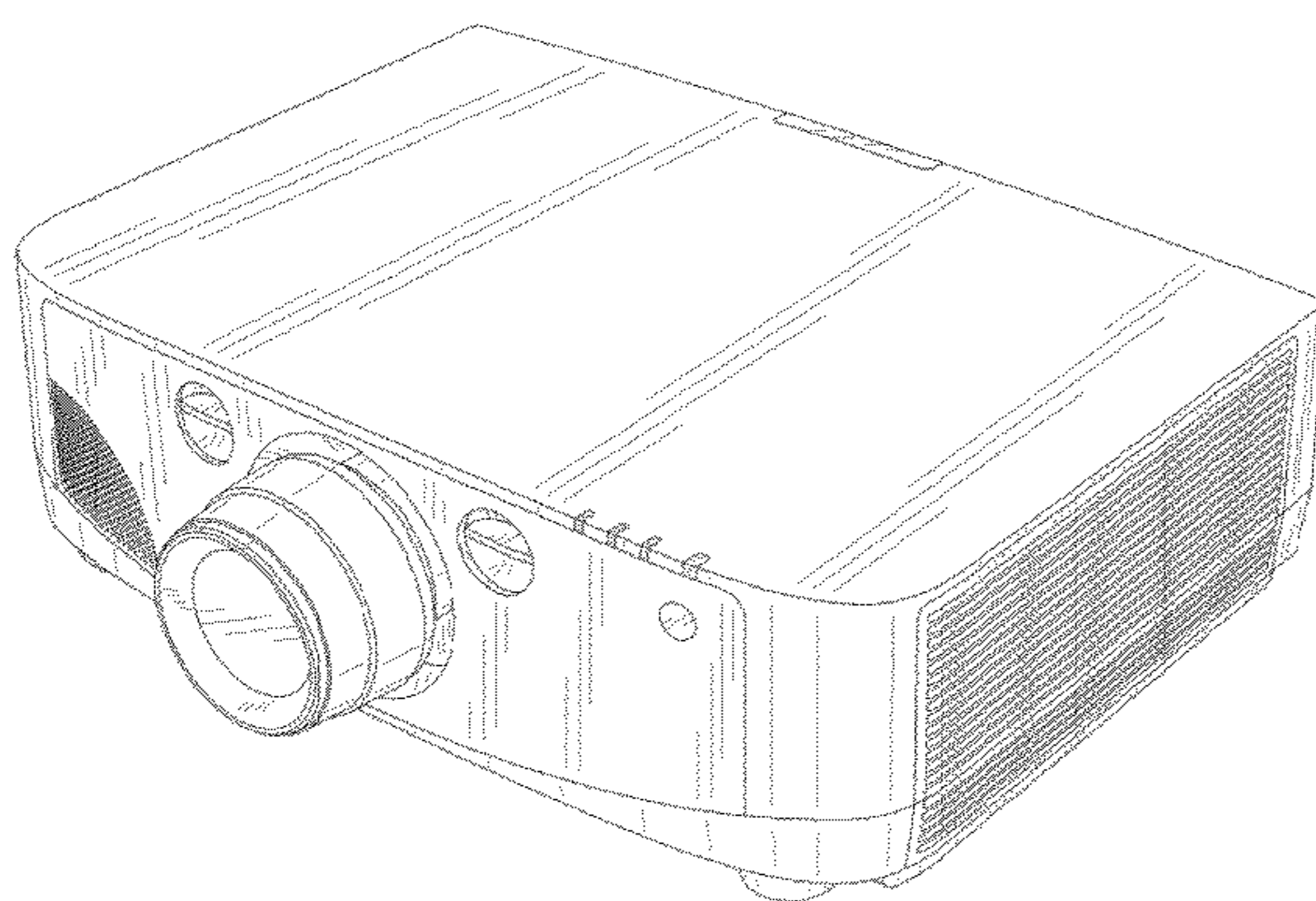
FIG. 6 is a top plan view thereof;

FIG. 7 is a bottom plan view thereof; and,

FIG. 8 is a front, left, top perspective view thereof.

The portions of the projector provided in broken lines form no part of the claimed design.

1 Claim, 8 Drawing Sheets



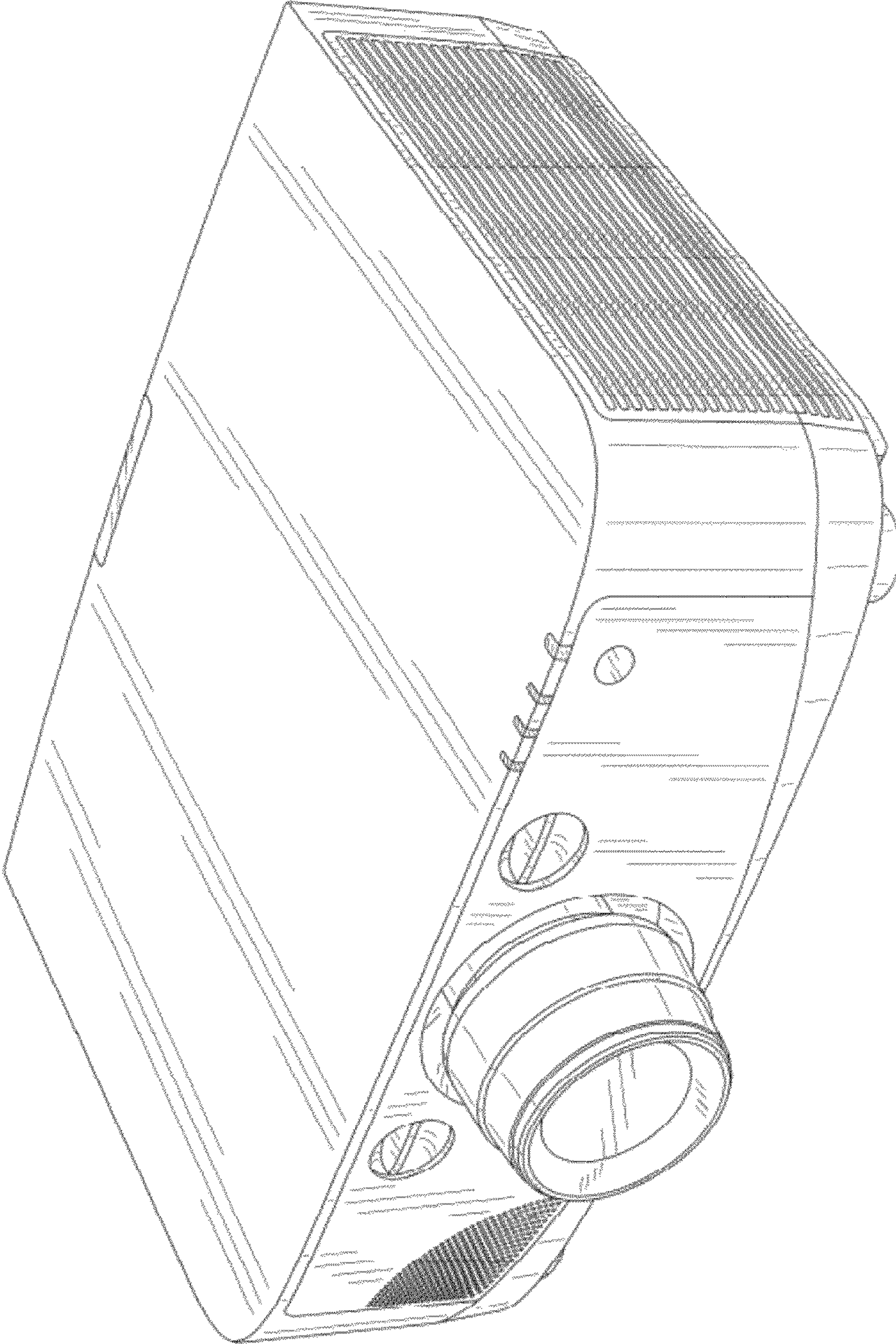


FIG. 1

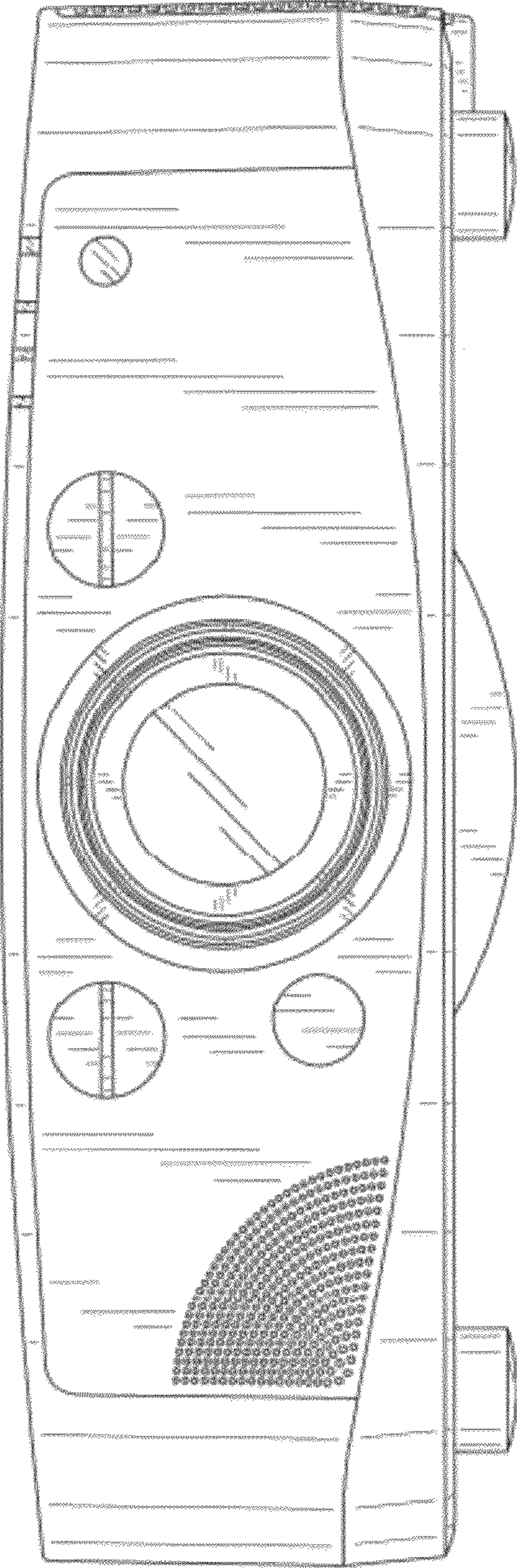


FIG. 2

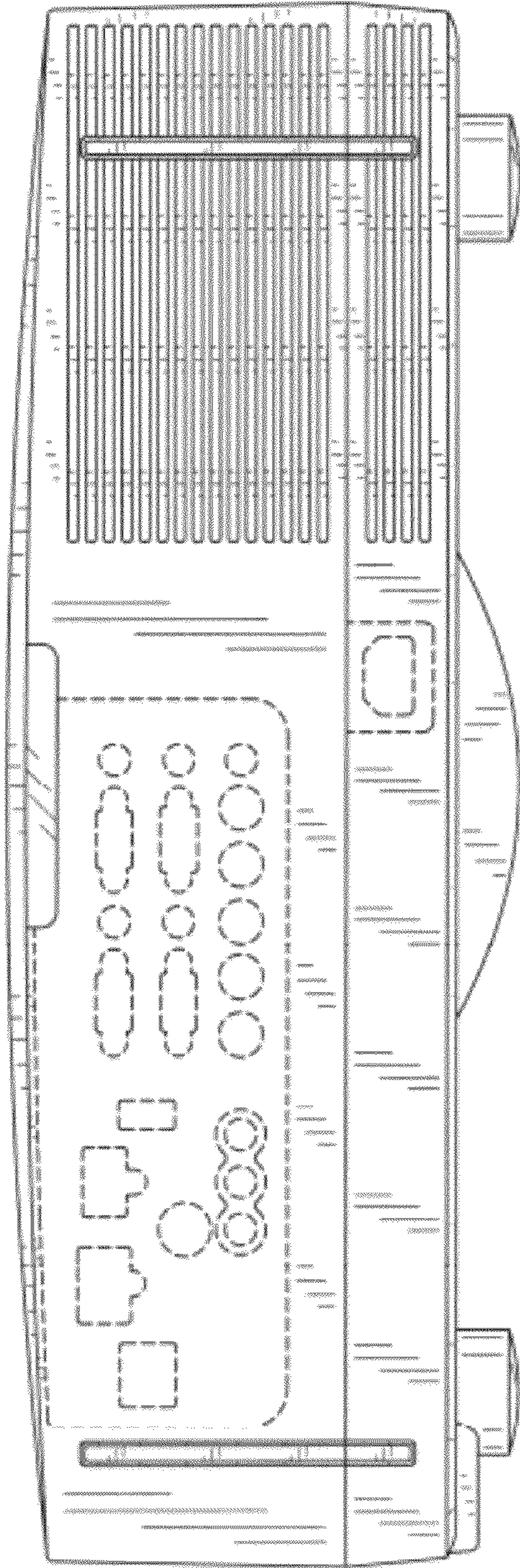


FIG. 3

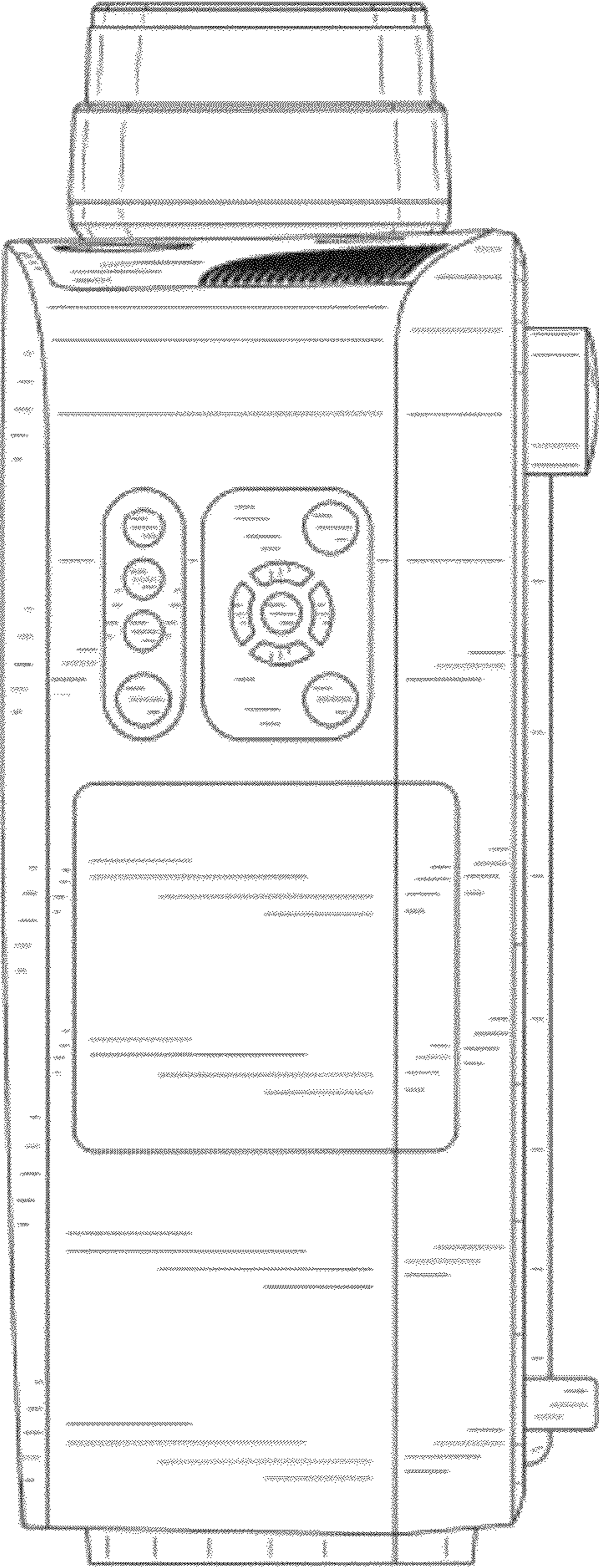


FIG. 4

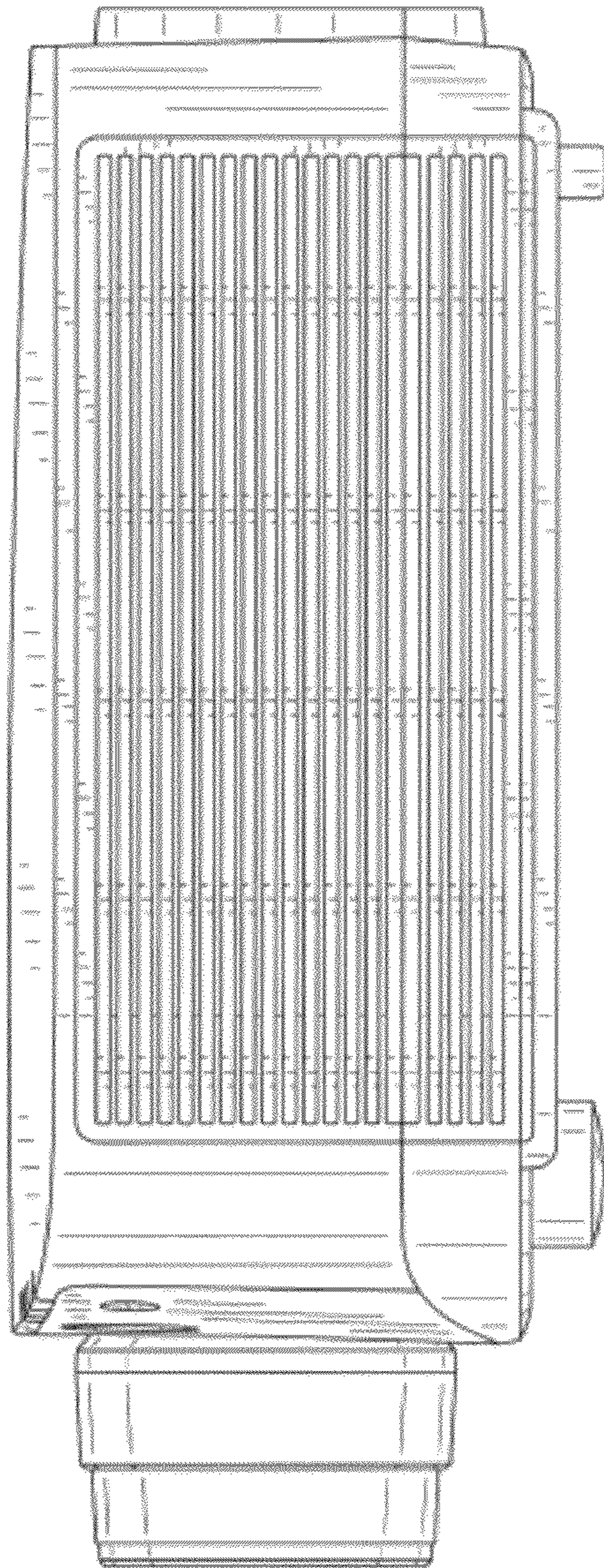


FIG. 5

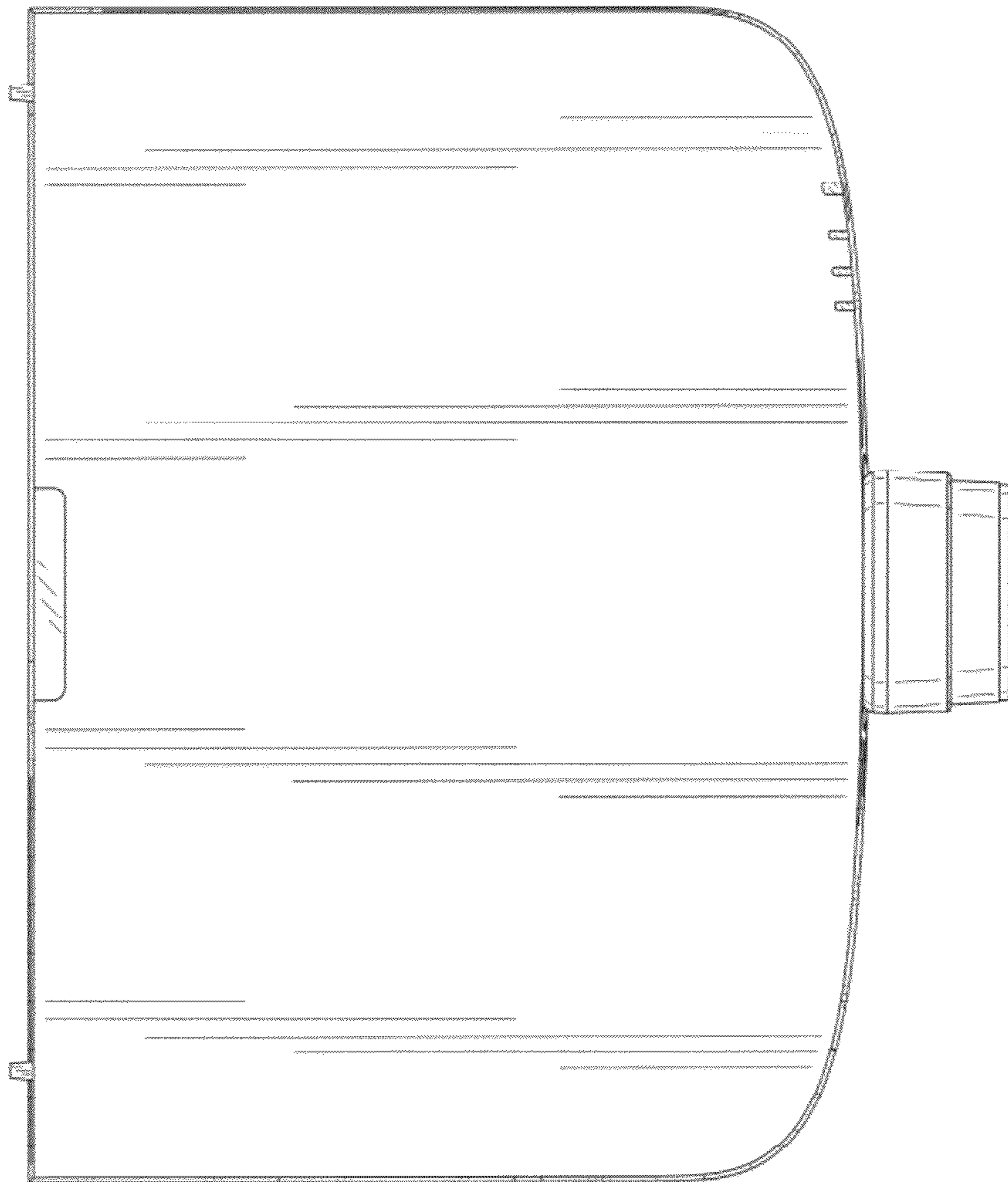


FIG. 6

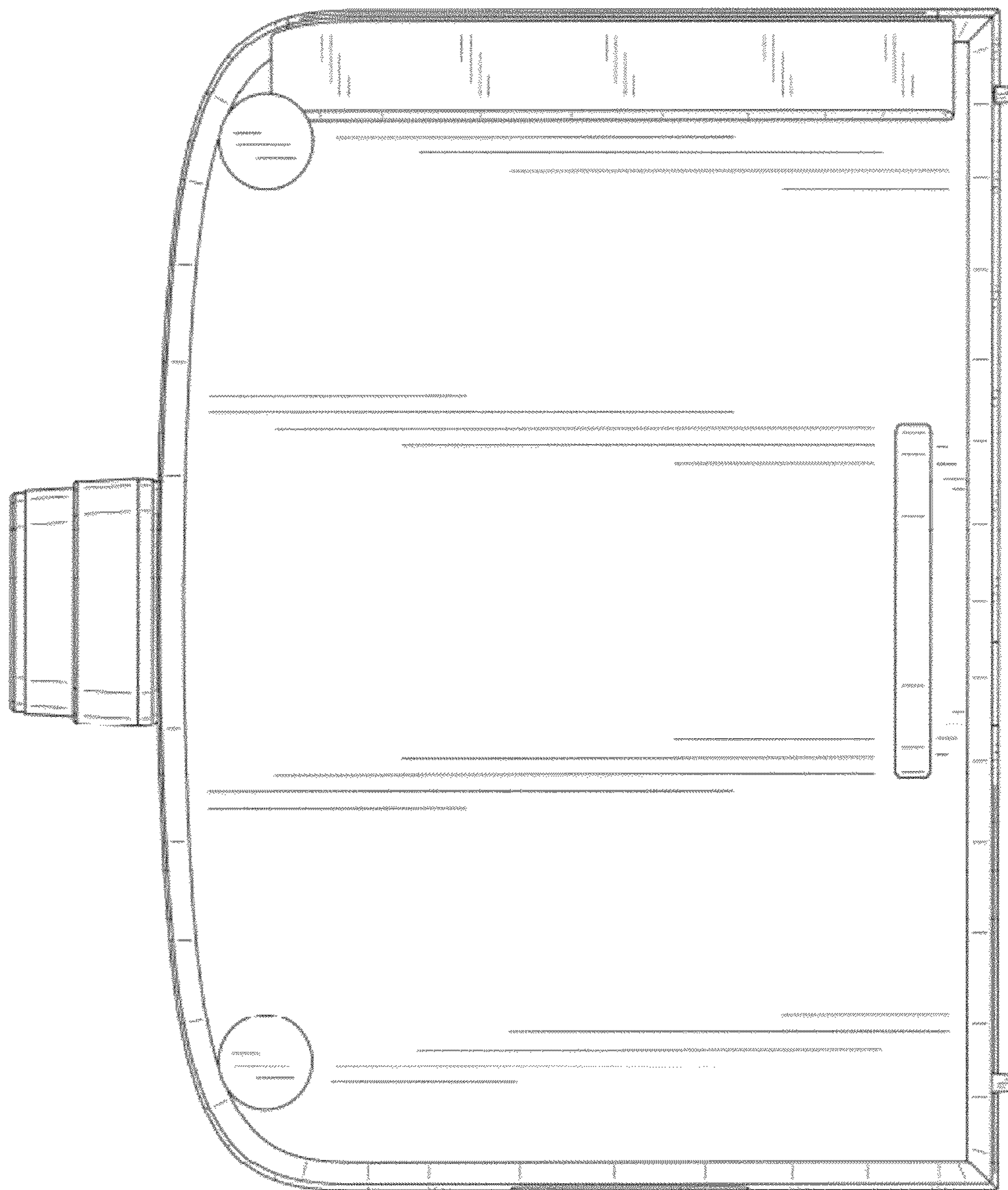


FIG. 7

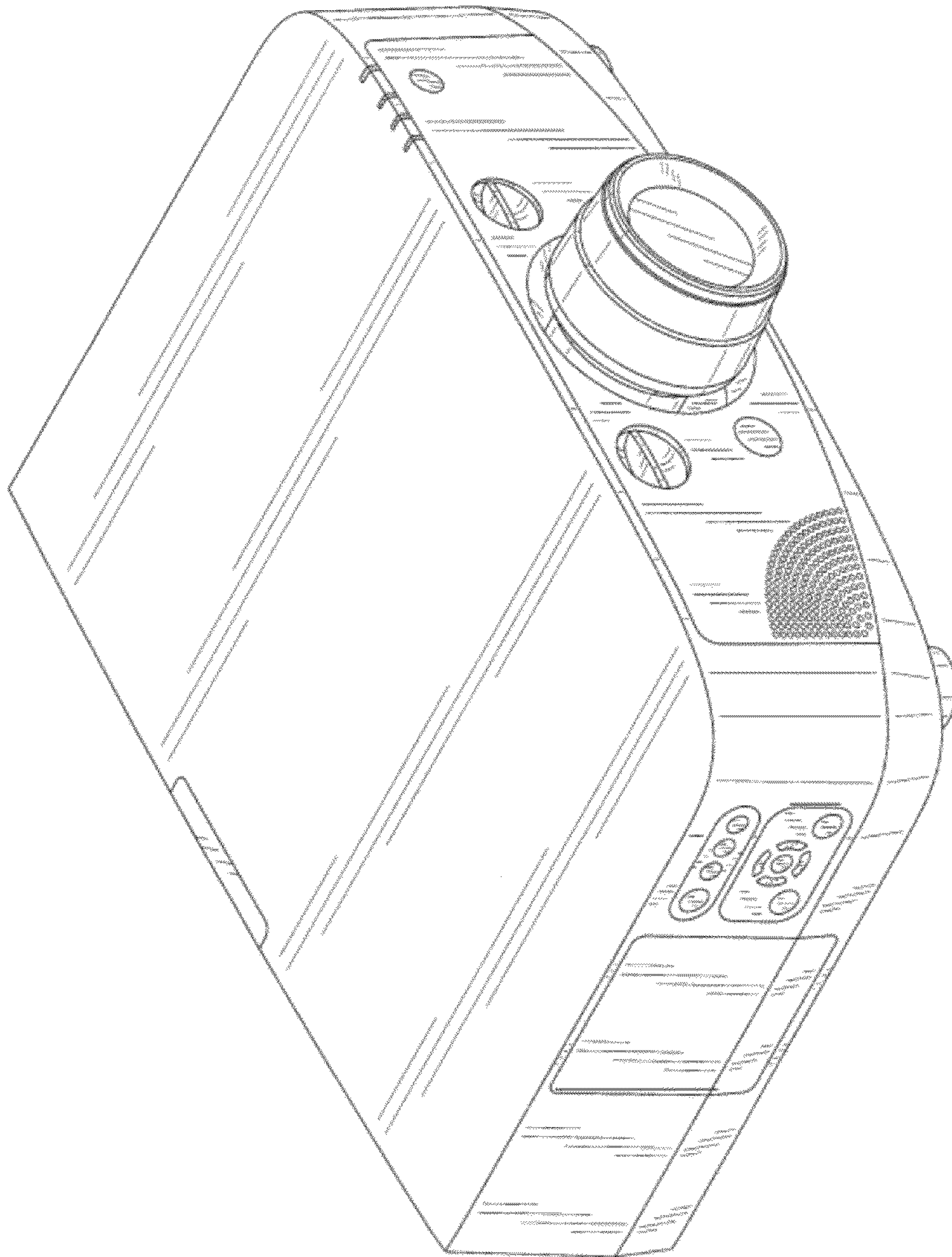


FIG. 8