



US00D667479S

(12) **United States Design Patent**  
**Oetlinger**

(10) **Patent No.:** **US D667,479 S**

(45) **Date of Patent:** **\*\* Sep. 18, 2012**

(54) **CORNER PIECE**

(75) Inventor: **Frank E. Oetlinger**, Grafton, WI (US)

(73) Assignee: **Blanking Systems, Inc.**, Grafton, WI (US)

(\*\*) Term: **14 Years**

(21) Appl. No.: **29/413,449**

(22) Filed: **Feb. 15, 2012**

**Related U.S. Application Data**

(62) Division of application No. 29/354,580, filed on Jan. 26, 2010, now Pat. No. Des. 654,936.

(51) **LOC (9) Cl.** ..... **15-09**

(52) **U.S. Cl.** ..... **D15/138**

(58) **Field of Classification Search** ..... D8/349,  
D8/354, 382, 400; D12/223; D15/138, 140;  
83/103, 468.1, 468.2, 468.7, 698.41, 698.51,  
83/698.61, 699.31, 701, 859; 225/97; 403/110,  
403/374.3, 393, 402; 493/73, 76  
See application file for complete search history.

(56) **References Cited**

**U.S. PATENT DOCUMENTS**

4,017,199	A *	4/1977	Strassle	403/264
D342,662	S *	12/1993	Lavin, Sr.	D8/354
5,337,641	A *	8/1994	Duginske	83/468
5,443,554	A *	8/1995	Robert	83/468.7
5,671,580	A *	9/1997	Chou	52/656.4
5,768,966	A *	6/1998	Duginske	83/468.7
5,845,555	A *	12/1998	Dawley	83/467.1
6,116,131	A *	9/2000	Fasske	83/456
6,722,811	B2	4/2004	Oetlinger	
D490,295	S *	5/2004	Neider et al.	D8/356
D628,539	S *	12/2010	Tezak et al.	D13/152

\* cited by examiner

*Primary Examiner* — Patricia Palasik

(74) *Attorney, Agent, or Firm* — Boyle Frederickson, S.C.

(57) **CLAIM**

The ornamental design for a corner piece, as shown and described.

**DESCRIPTION**

FIG. 1 is an isometric view of a corner piece in accordance with the present invention;

FIG. 2 is a front elevational view of the corner piece of FIG. 1;

FIG. 3 is a rear elevational view of the corner piece of FIG. 1;

FIG. 4 is a top plan view of the corner piece of FIG. 1;

FIG. 5 is bottom plan view of the corner piece of FIG. 1;

FIG. 6 is a side elevational view of a first side of the corner piece of FIG. 1;

FIG. 7 is a side elevational view of a second side of the corner piece of FIG. 1;

FIG. 8 is an isometric view of a second embodiment of a corner piece in accordance with the present invention;

FIG. 9 is a front elevational view of the corner piece of FIG. 8;

FIG. 10 is a rear elevational view of the corner piece of FIG. 8;

FIG. 11 is a top plan view of the corner piece of FIG. 8;

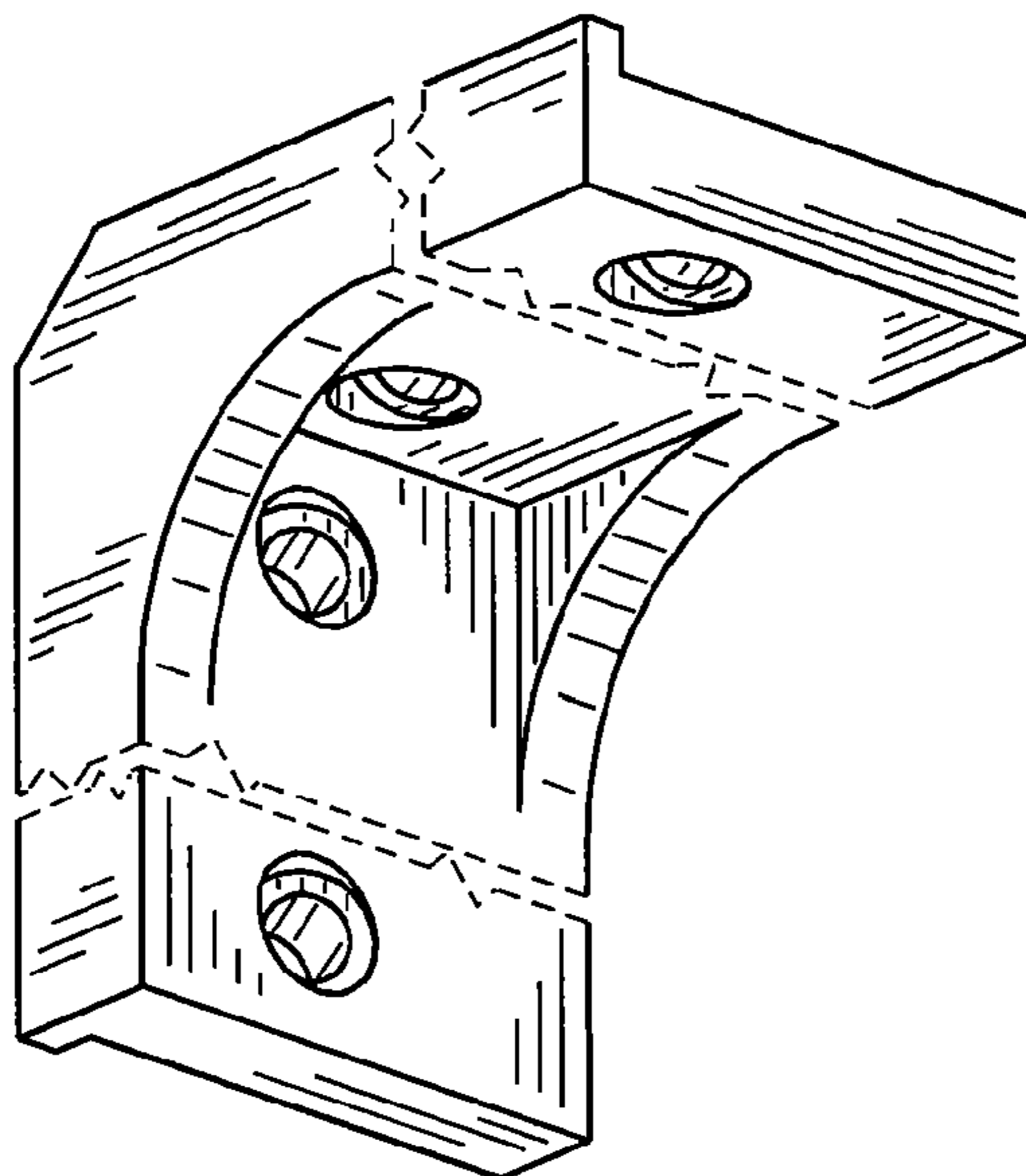
FIG. 12 is bottom plan view of the corner piece of FIG. 8;

FIG. 13 is a side elevational view of a first side of the corner piece of FIG. 8; and,

FIG. 14 is a side elevational view of a second side of the corner piece of FIG. 8.

The corner piece is shown broken away to indicate no specific length.

**1 Claim, 4 Drawing Sheets**



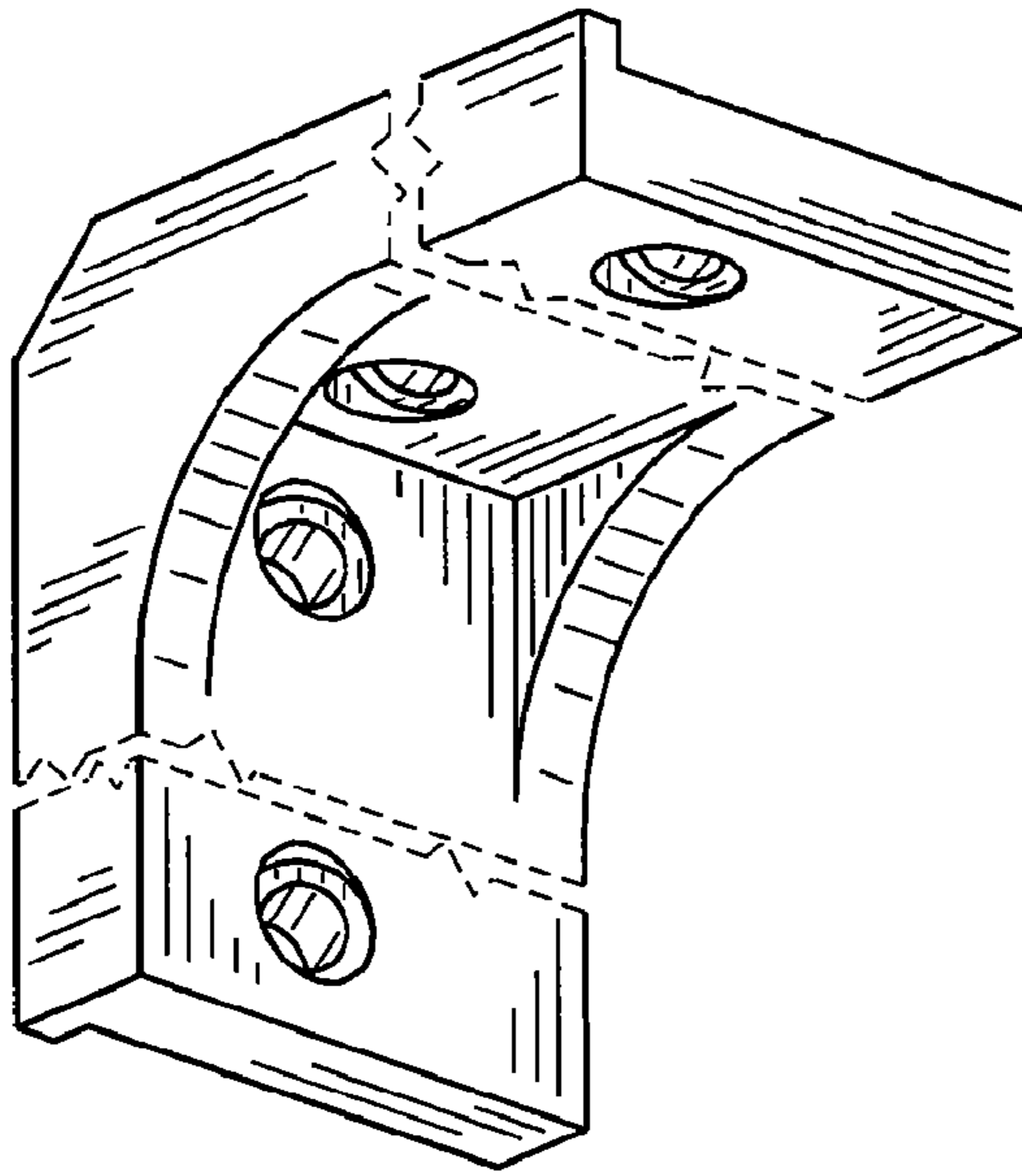


FIG. 1

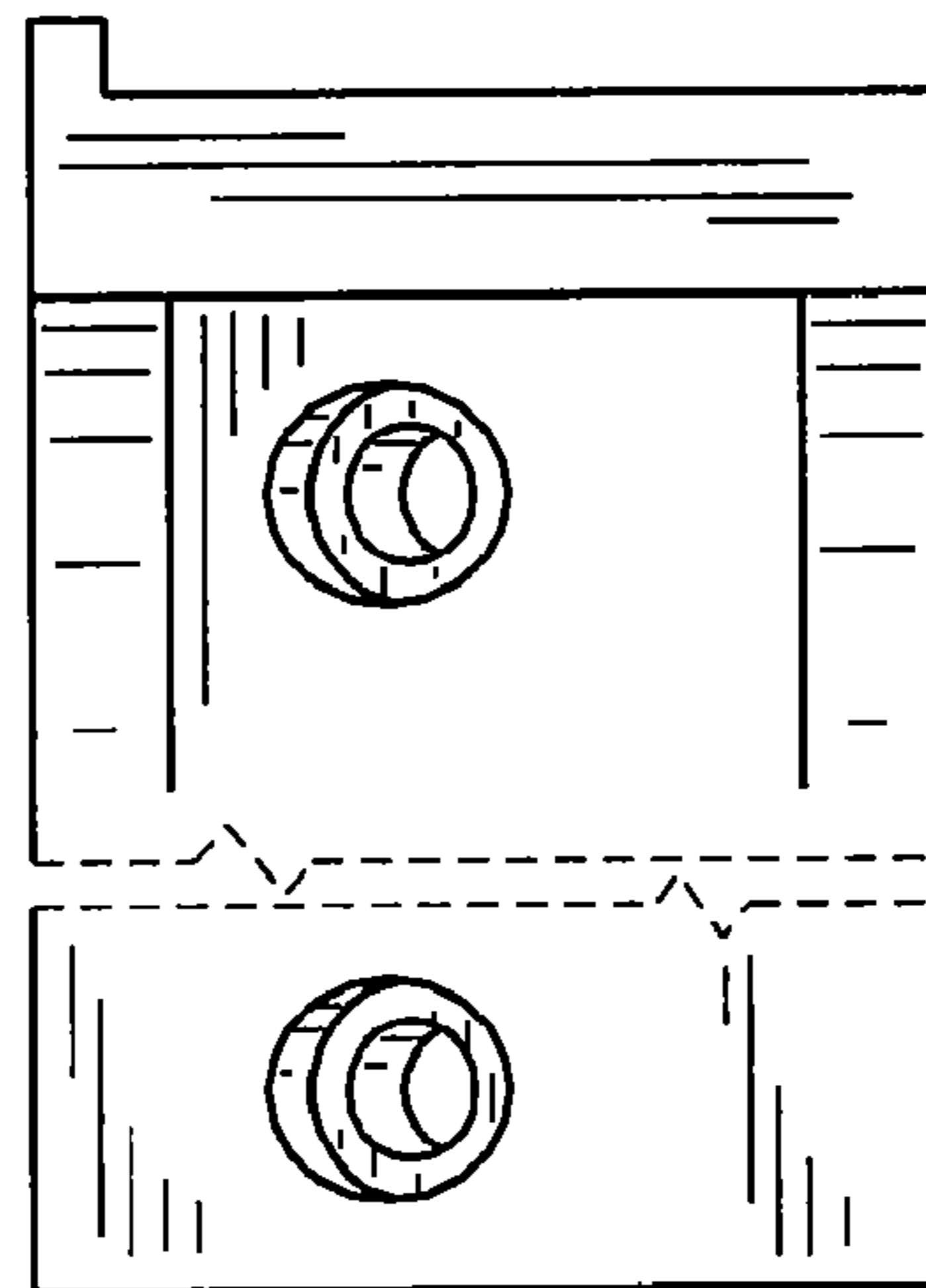


FIG. 2

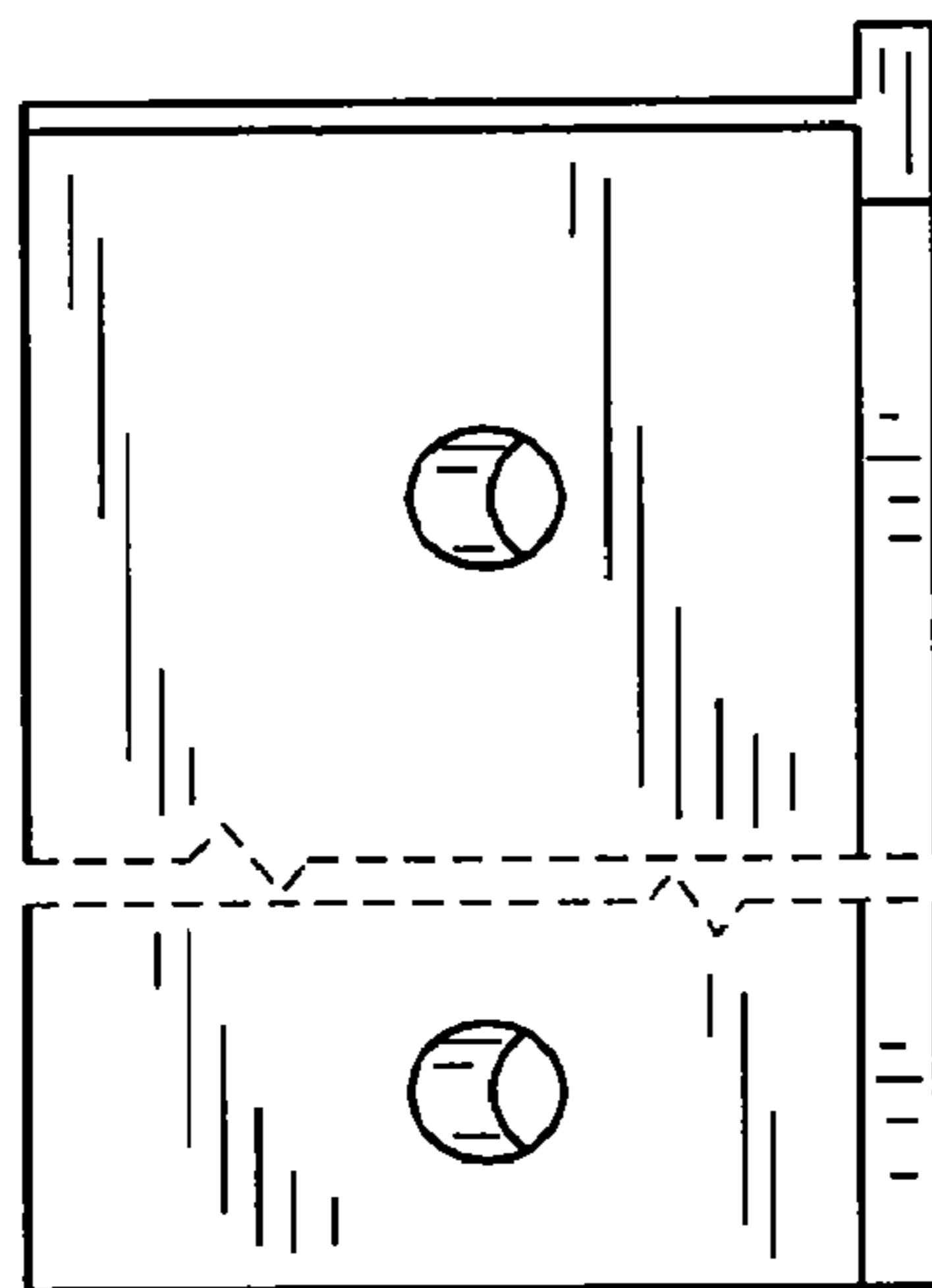


FIG. 3

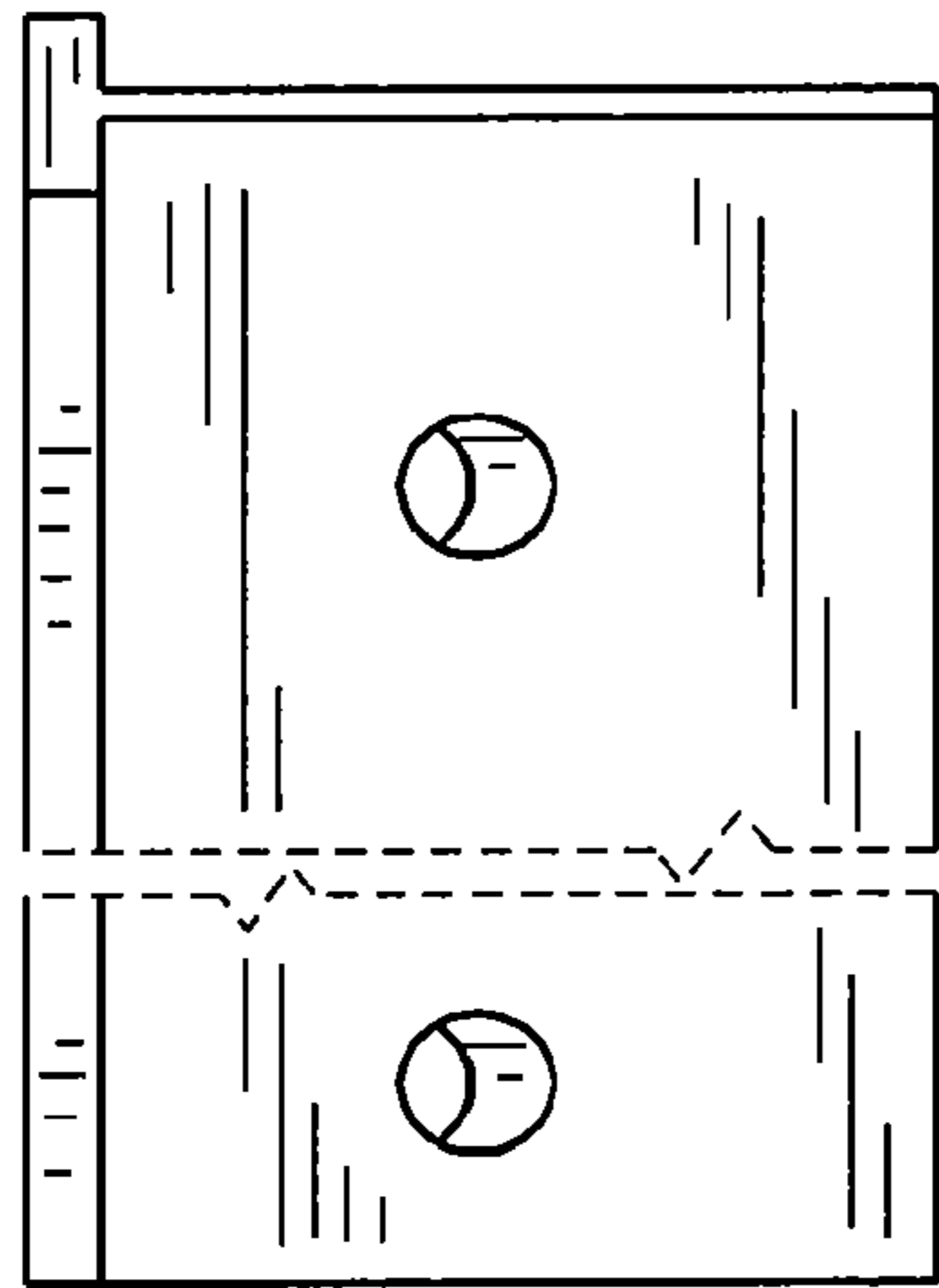


FIG. 4

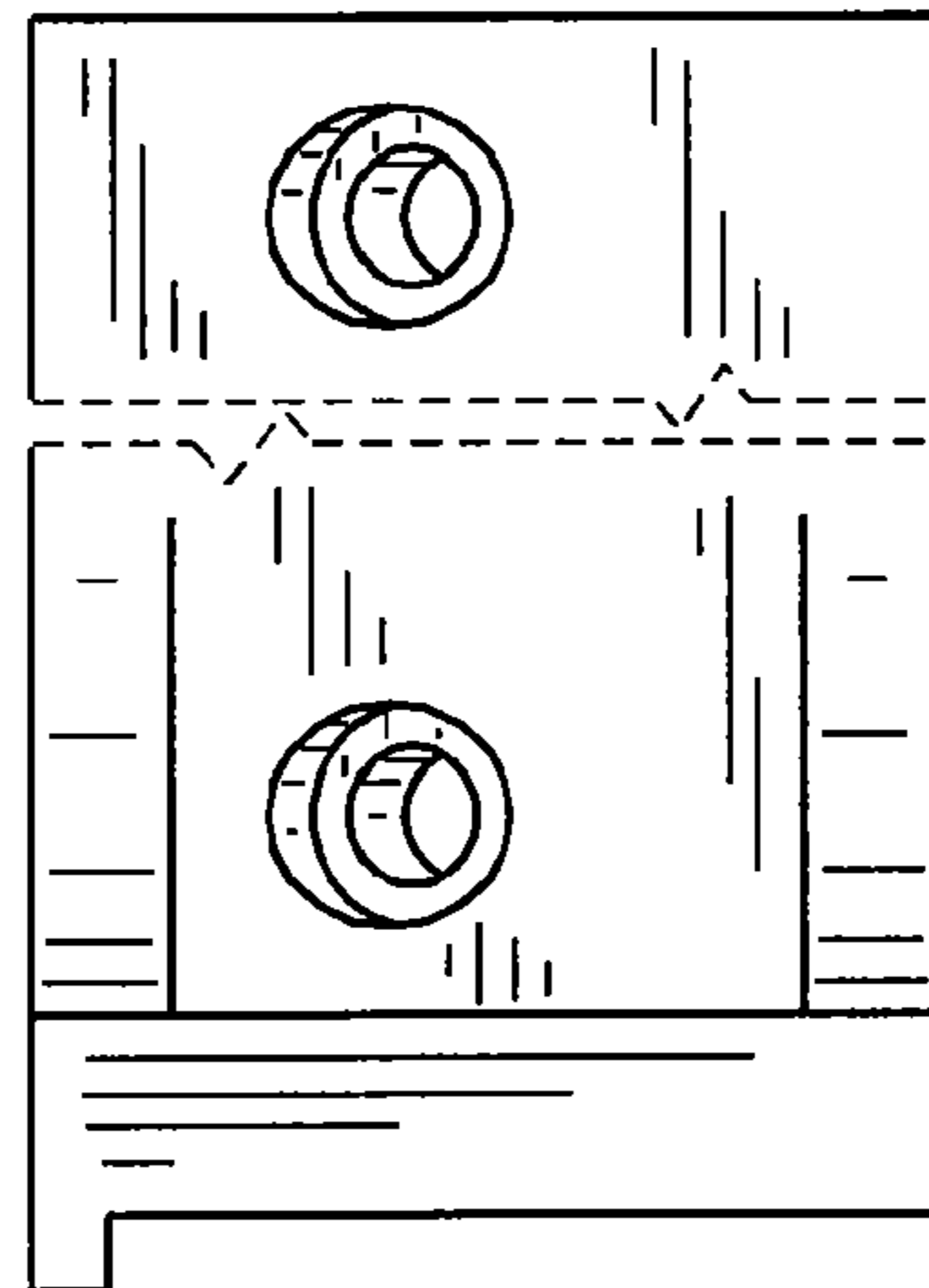


FIG. 5

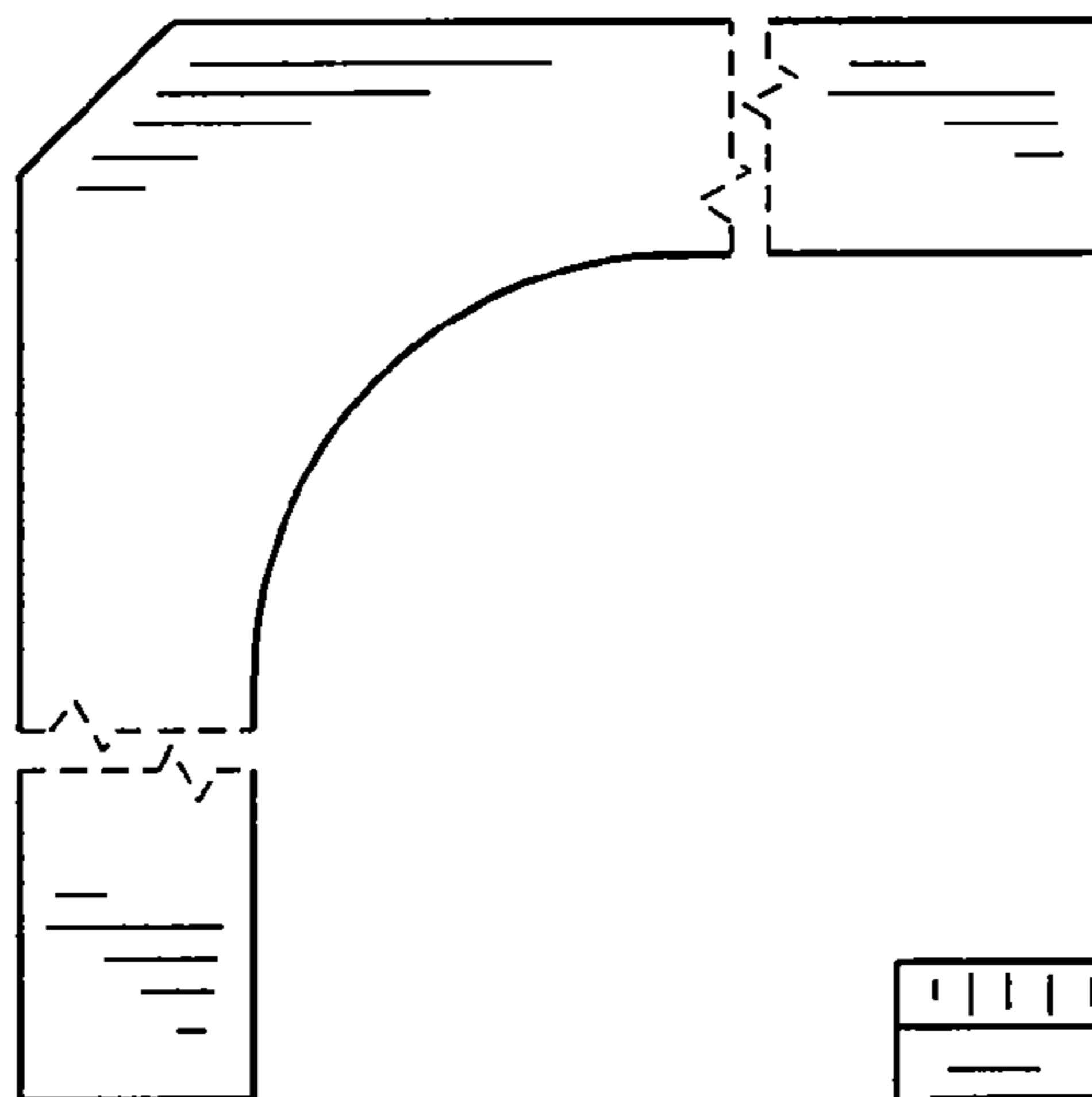


FIG. 6

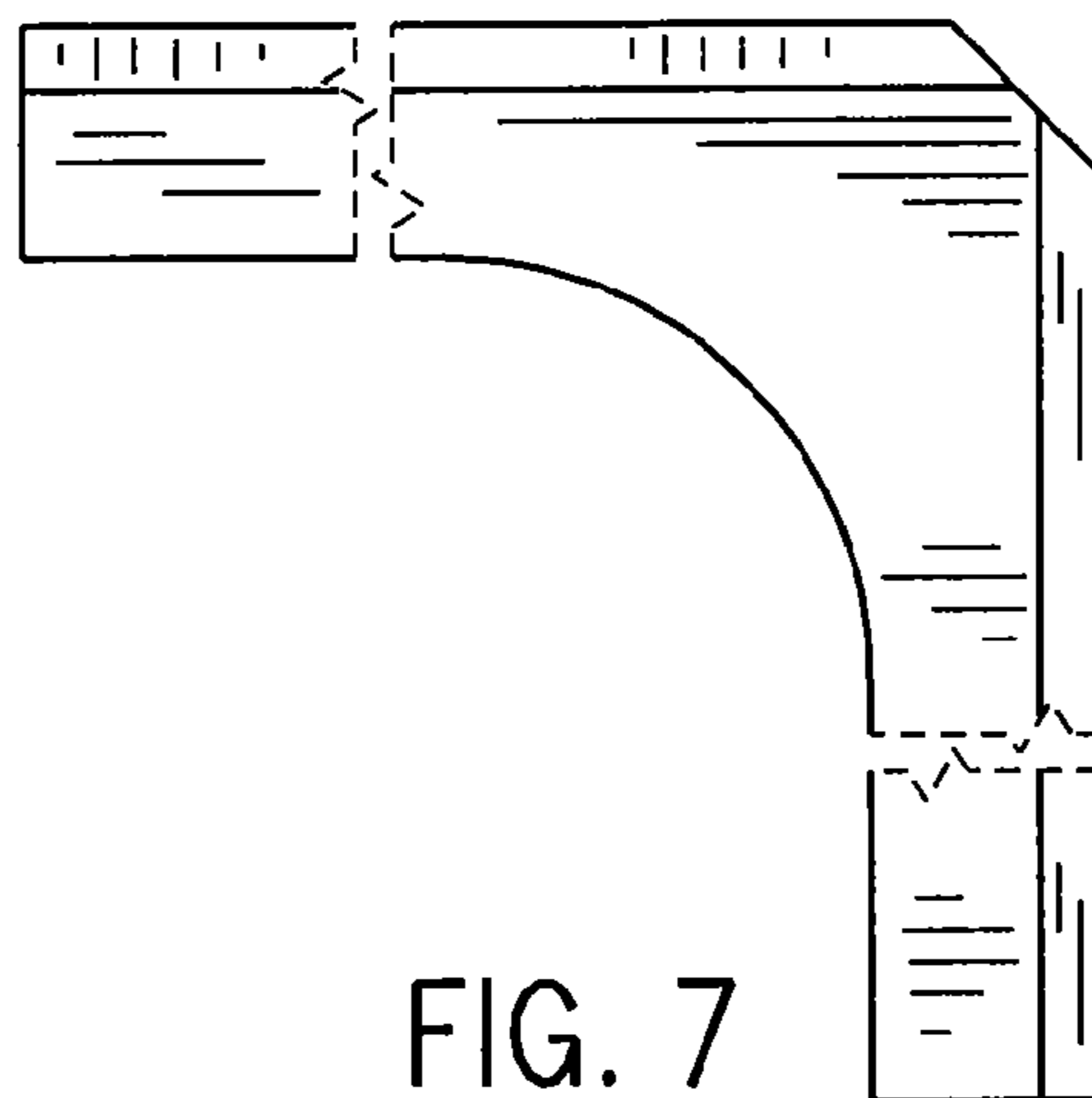


FIG. 7

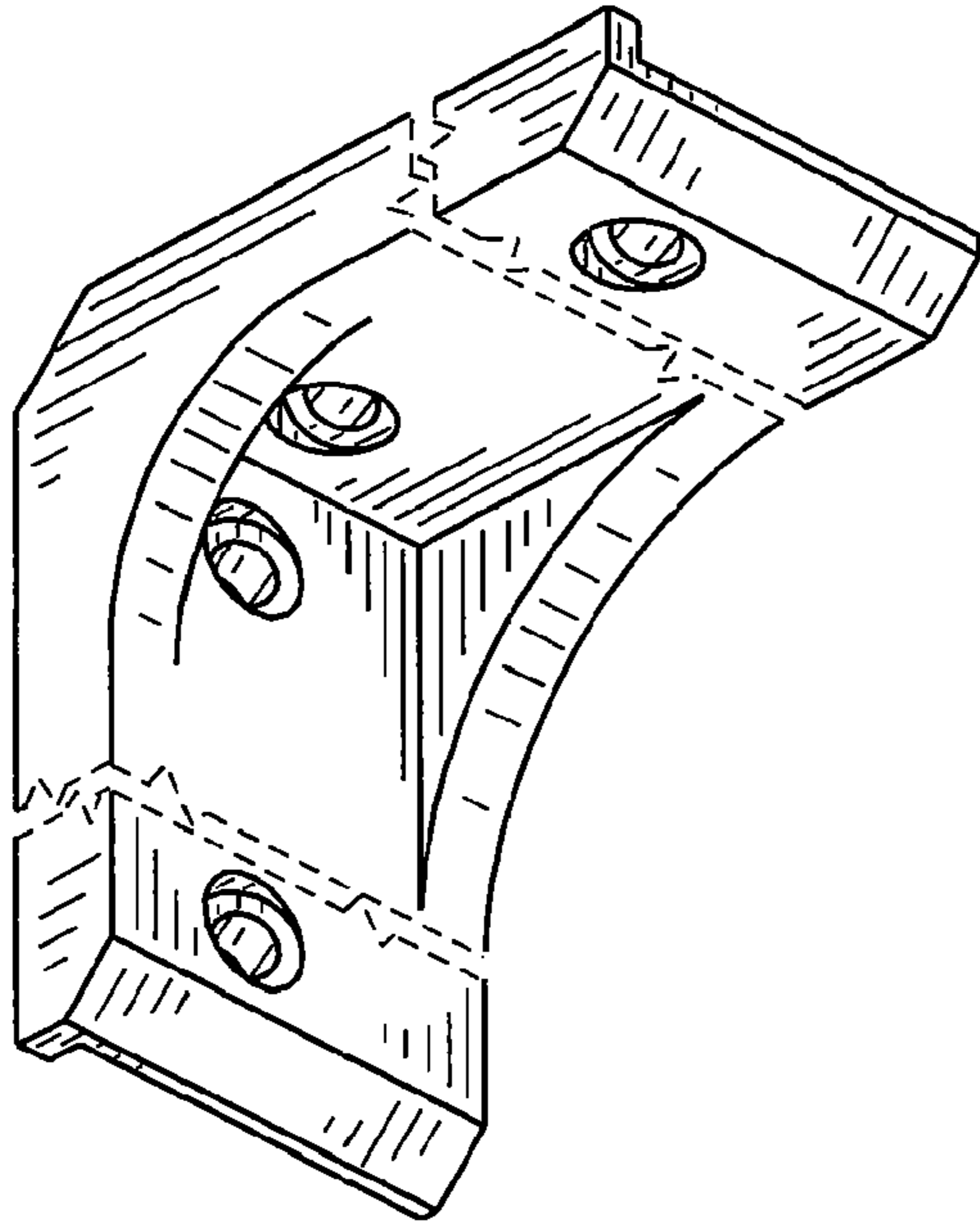


FIG. 8

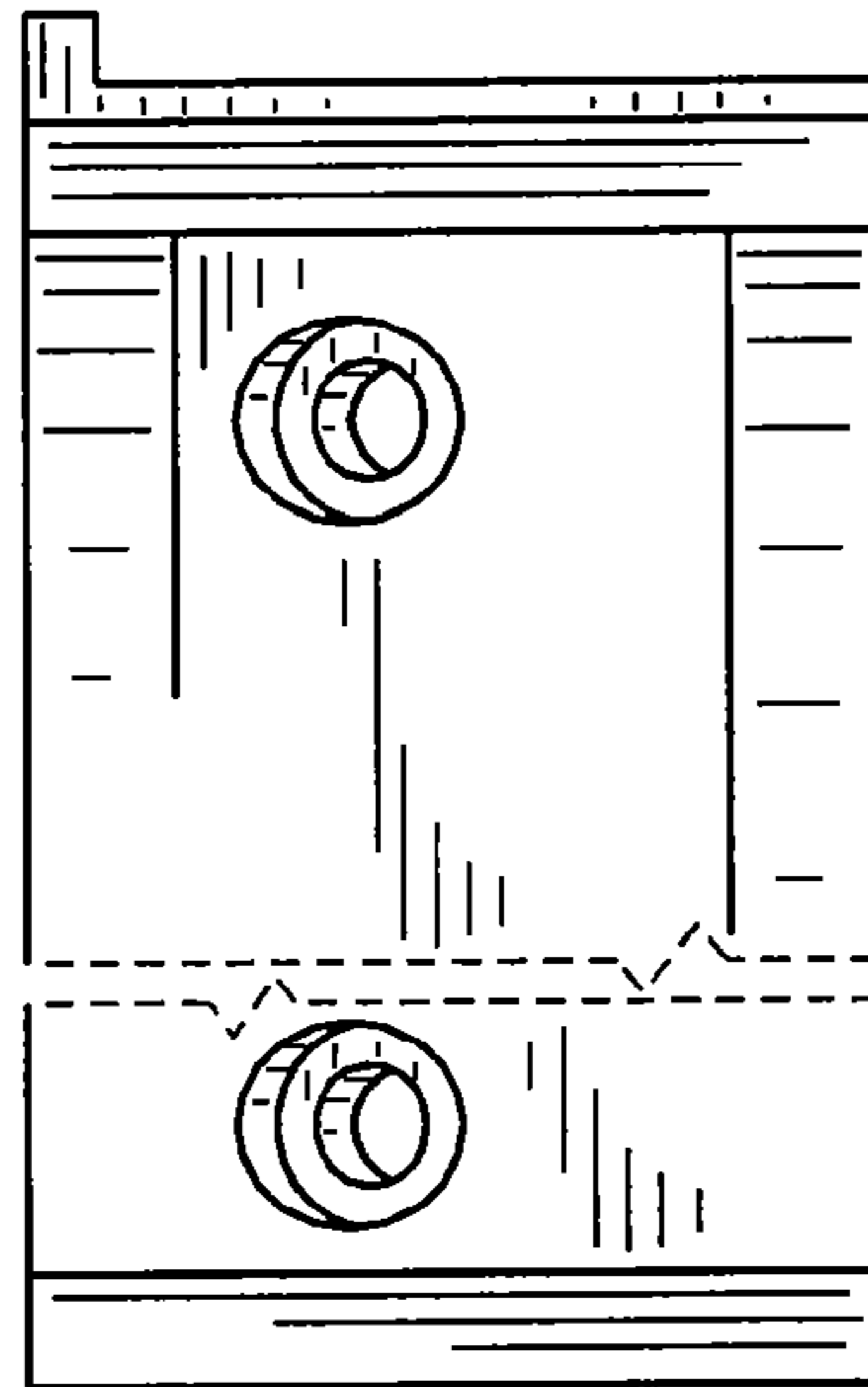


FIG. 9

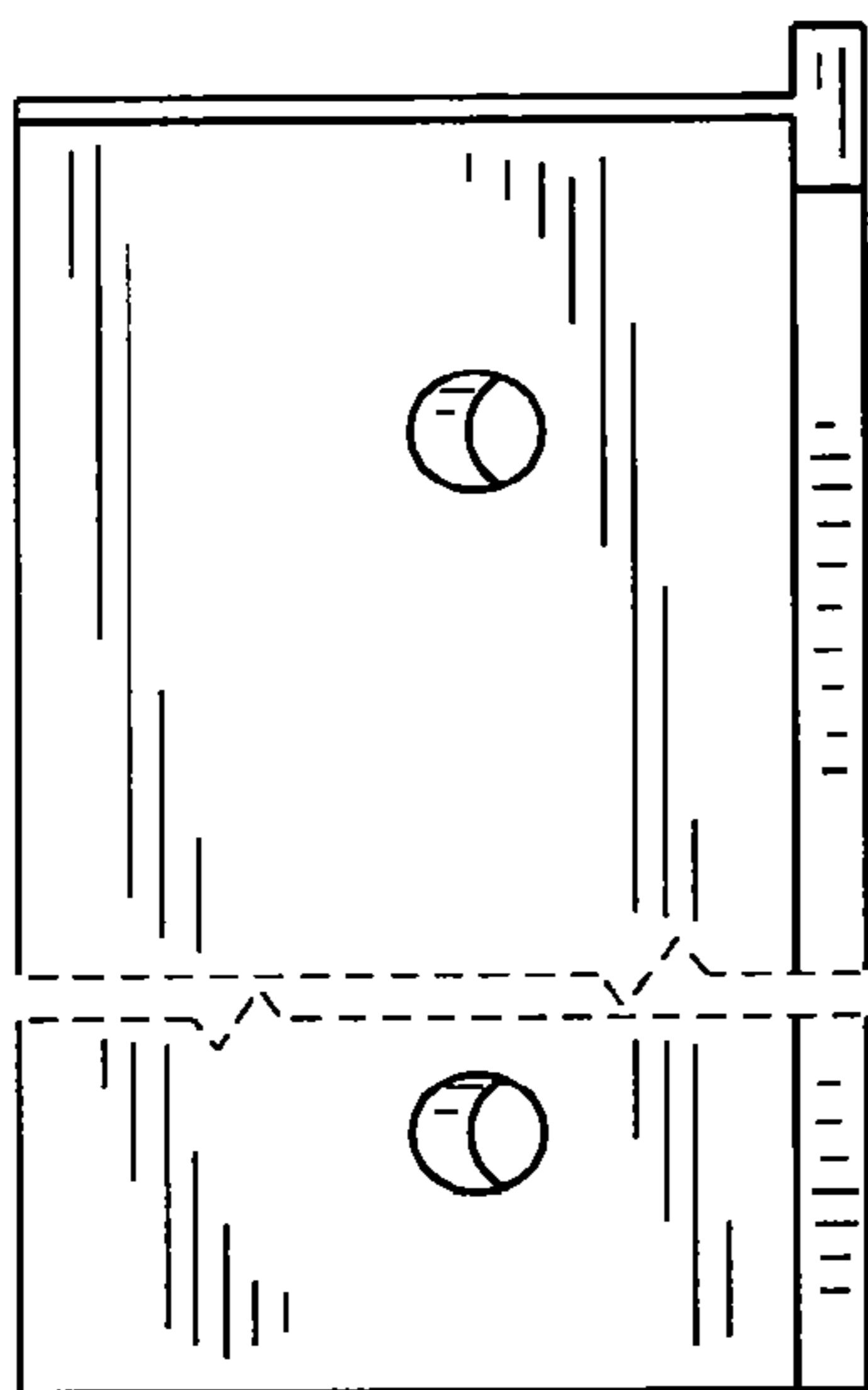


FIG. 10

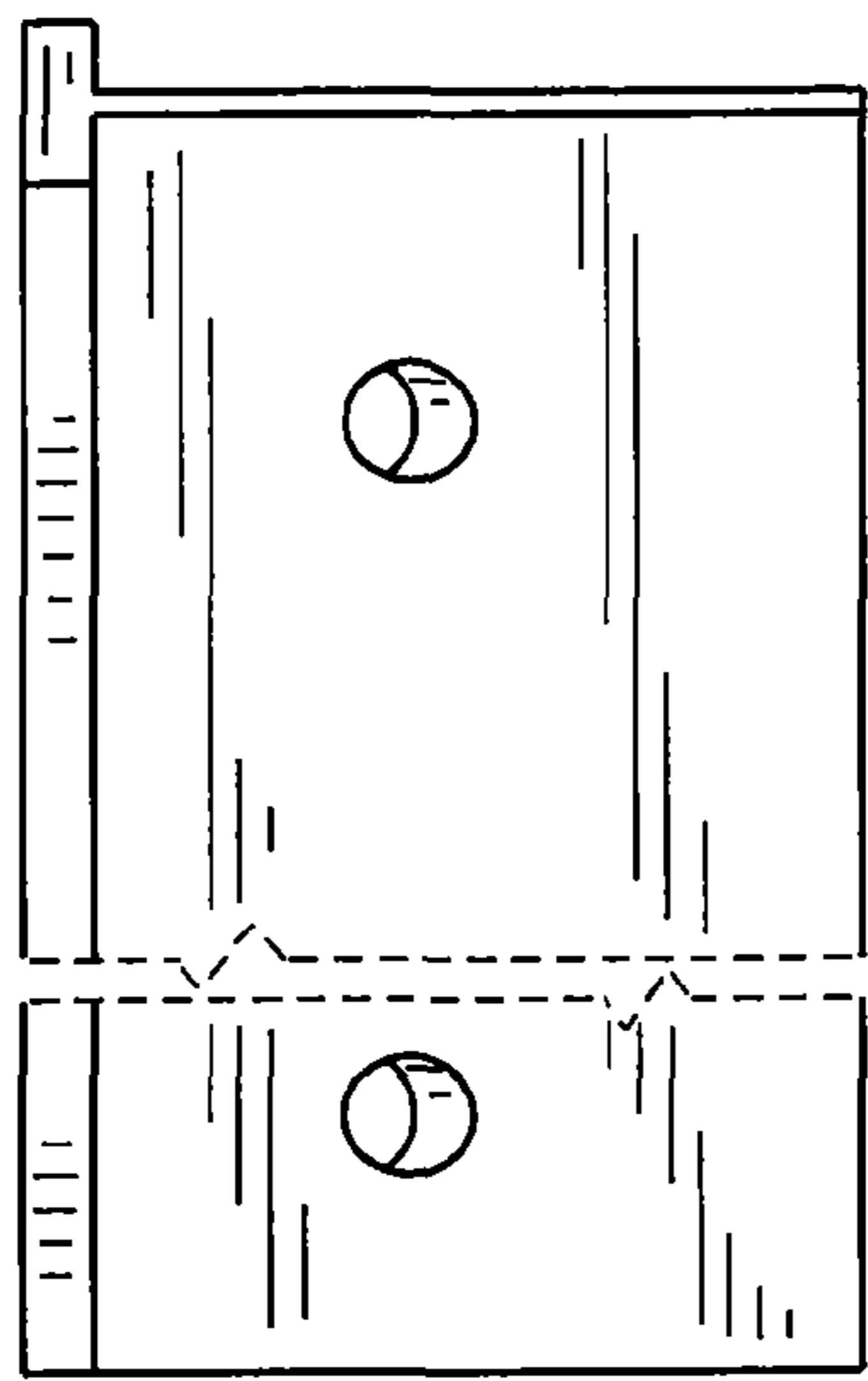


FIG. 11

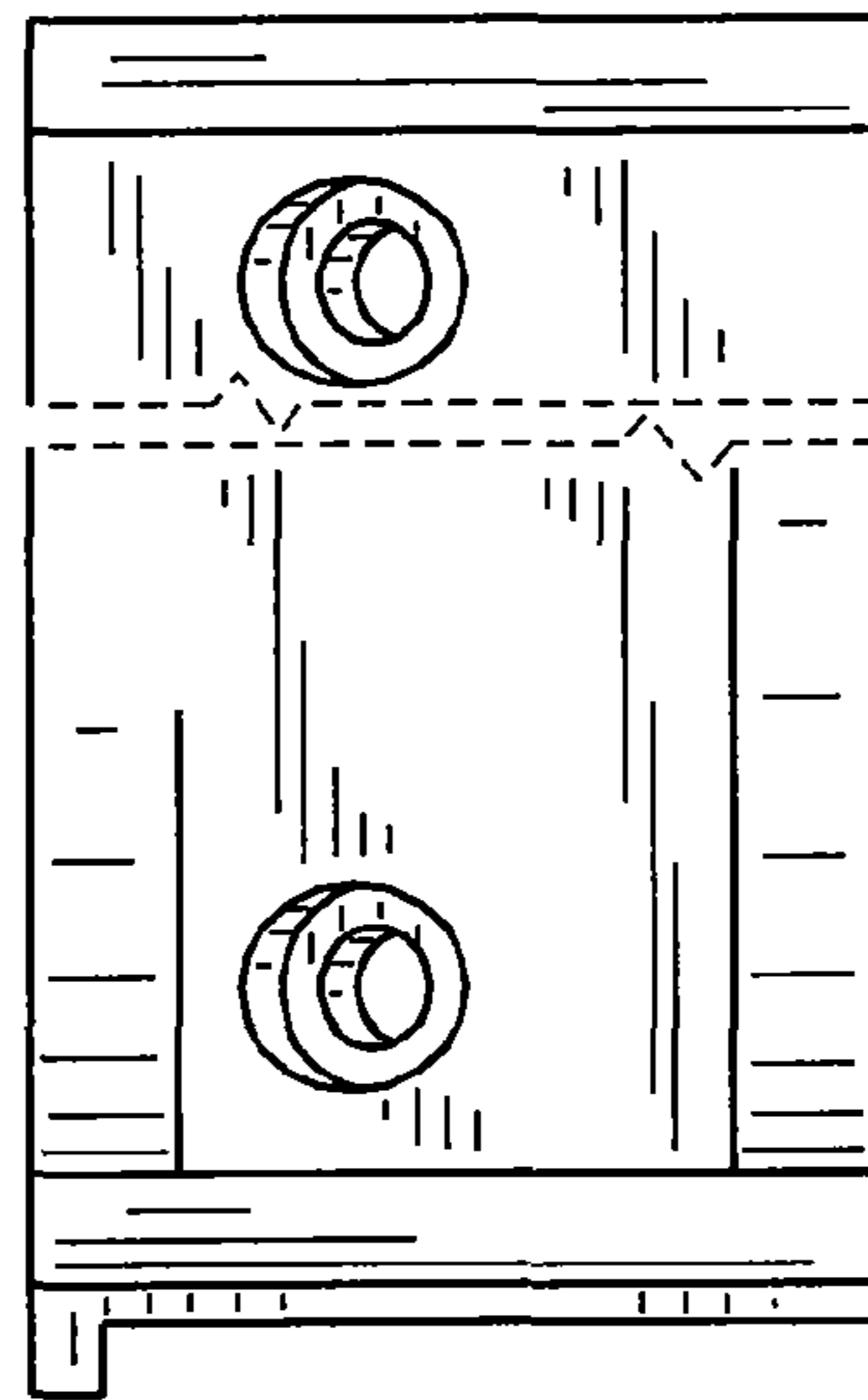


FIG. 12

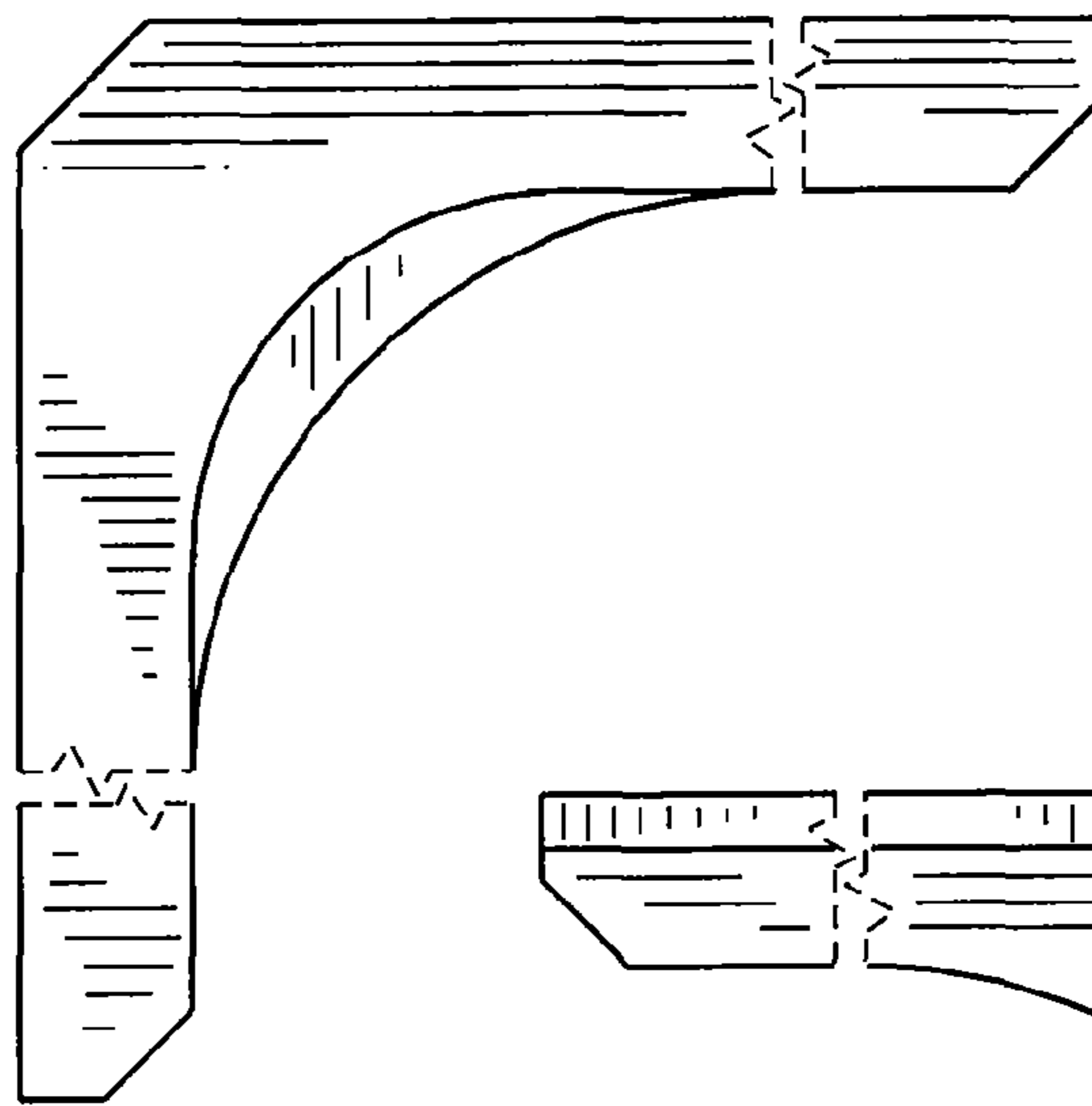


FIG. 13

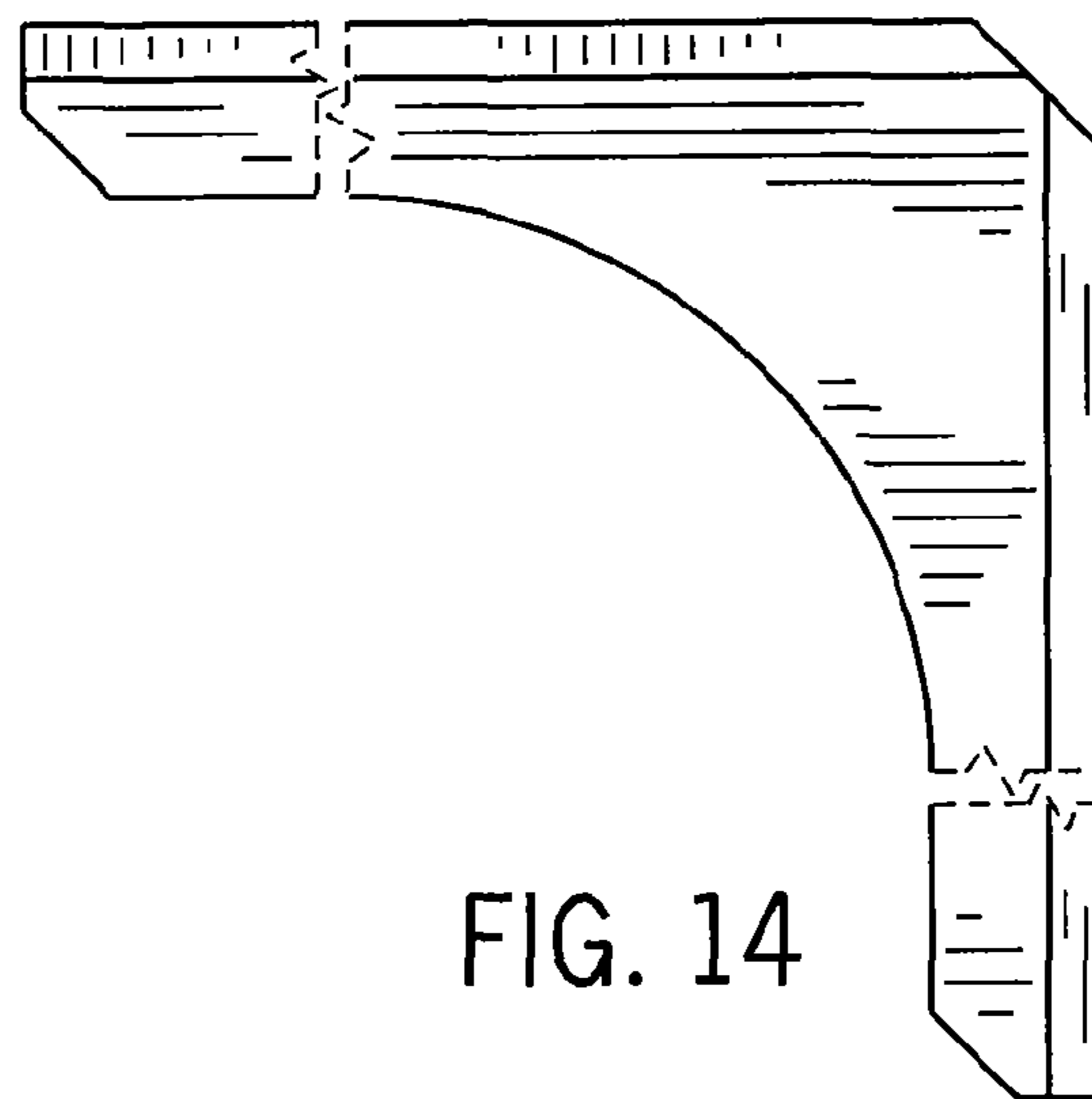


FIG. 14