



US00D667476S

(12) **United States Design Patent**
Harder

(10) **Patent No.:** **US D667,476 S**

(45) **Date of Patent:** **** Sep. 18, 2012**

(54) **MACHINE FRAME WITH CROSS MEMBERS,
SIDE MEMBERS AND PANELS FOR SLICERS**

(75) Inventor: **Andreas Harder**, Marburg (DE)

(73) Assignee: **Weber Maschinenbau GmbH**
Breidenbach, Breidenbach (DE)

(**) Term: **14 Years**

(21) Appl. No.: **29/412,618**

(22) Filed: **Feb. 6, 2012**

(30) **Foreign Application Priority Data**

Aug. 5, 2011 (EM) 01288187-0012

(51) **LOC (9) Cl.** **15-09**

(52) **U.S. Cl.** **D15/127**

(58) **Field of Classification Search** D6/465,
D6/479, 510; D15/122, 127, 140; D21/669,
D21/688, 691, 694; D34/12; 53/203, 266.1,
53/285, 558; 100/4, 8, 25, 26, 29, 32
See application file for complete search history.

(56) **References Cited**

U.S. PATENT DOCUMENTS

4,204,391	A *	5/1980	Clayton et al.	57/1 R
D265,575	S *	7/1982	Lunford	D21/691
D301,361	S *	5/1989	Harlan	D21/691
D314,102	S *	1/1991	Yau Kee	D6/465
5,044,632	A *	9/1991	Jones	482/138
D420,073	S *	2/2000	Alessandri	D21/694

6,174,034	B1 *	1/2001	Benner et al.	312/265.4
D437,371	S *	2/2001	Webber et al.	D21/694
D480,773	S *	10/2003	Suchanek et al.	D21/694
D526,692	S *	8/2006	Ayton	D21/686
D567,271	S *	4/2008	Vine	D15/145
7,478,890	B2 *	1/2009	Hudz et al.	312/265.4
D610,847	S *	3/2010	Birsel et al.	D6/510
D613,353	S *	4/2010	Bulva et al.	D21/694
2010/0257758	A1 *	10/2010	Bengtsson et al.	37/411

* cited by examiner

Primary Examiner — Patricia Palasik

(74) *Attorney, Agent, or Firm* — Rader, Fishman & Grauer, PLLC

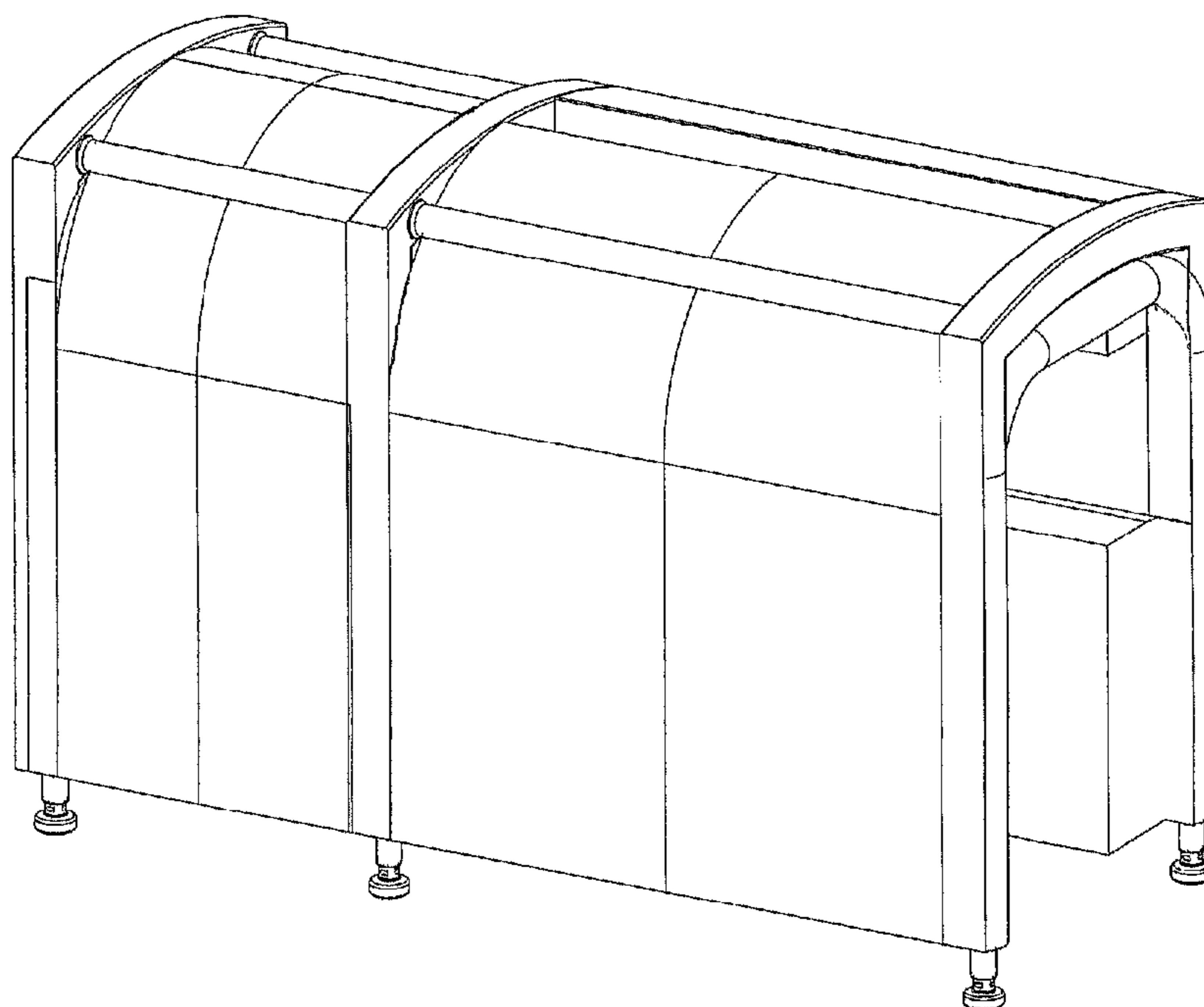
(57) **CLAIM**

The ornamental design for a machine frame with cross members, side members and panels for slicers, as shown and described.

DESCRIPTION

FIG. 1 shows a perspective view of the front, left top side of the design,
FIG. 2 shows a plan view of the bottom side of the design,
FIG. 3 shows an elevation view of the front side of the design,
FIG. 4 shows an elevation view of the left side of the design,
FIG. 5 shows an elevation view of the rear side of the design,
FIG. 6 shows an elevation view of the right side of the design;
and,
FIG. 7 shows a plan view of the top side of the design.

1 Claim, 7 Drawing Sheets



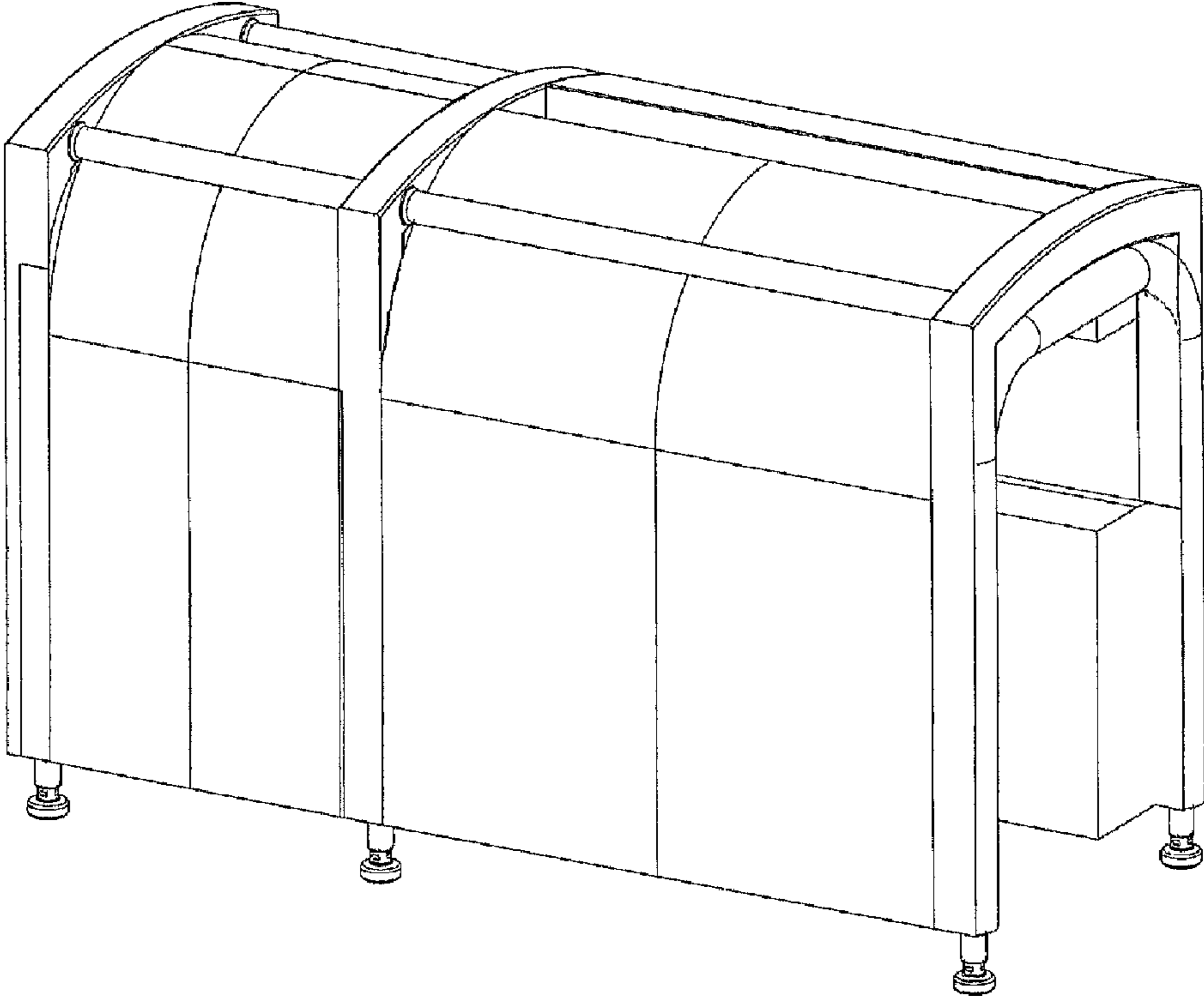


FIG. 1

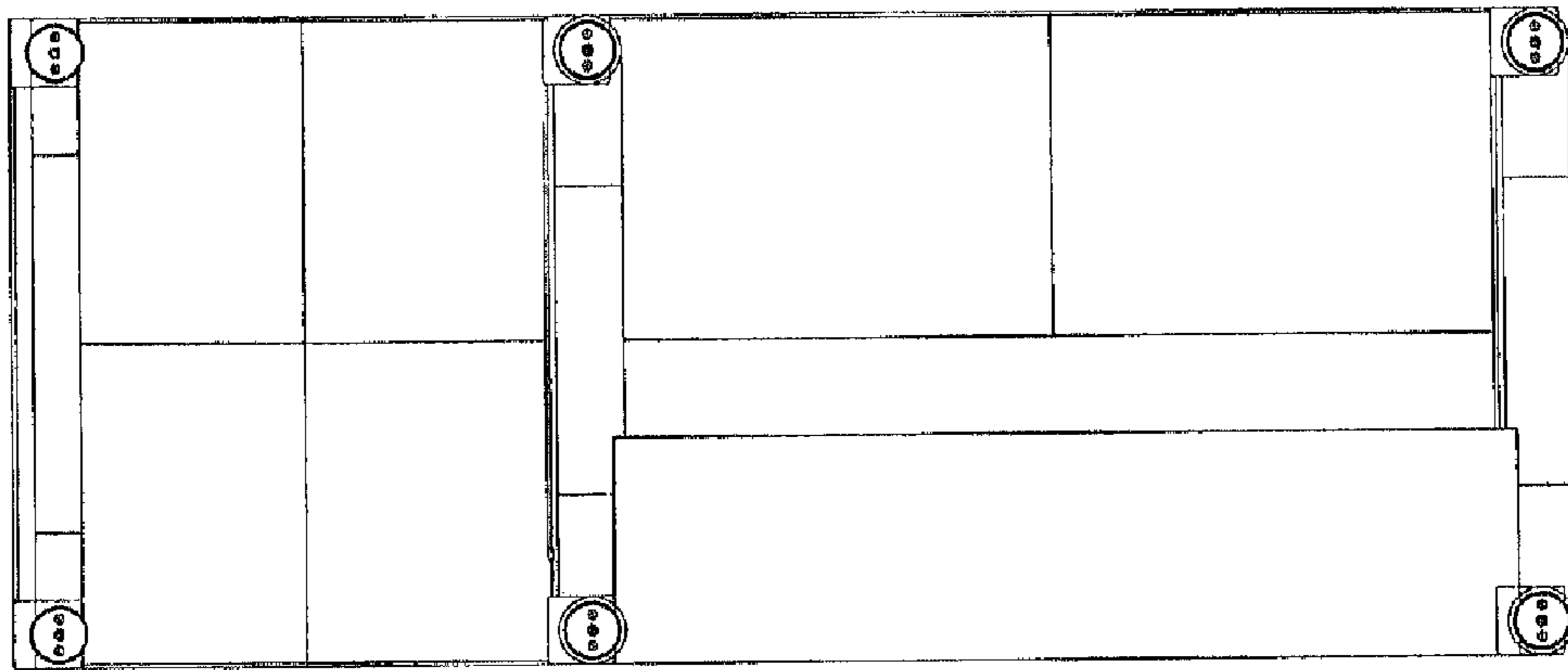


FIG. 2

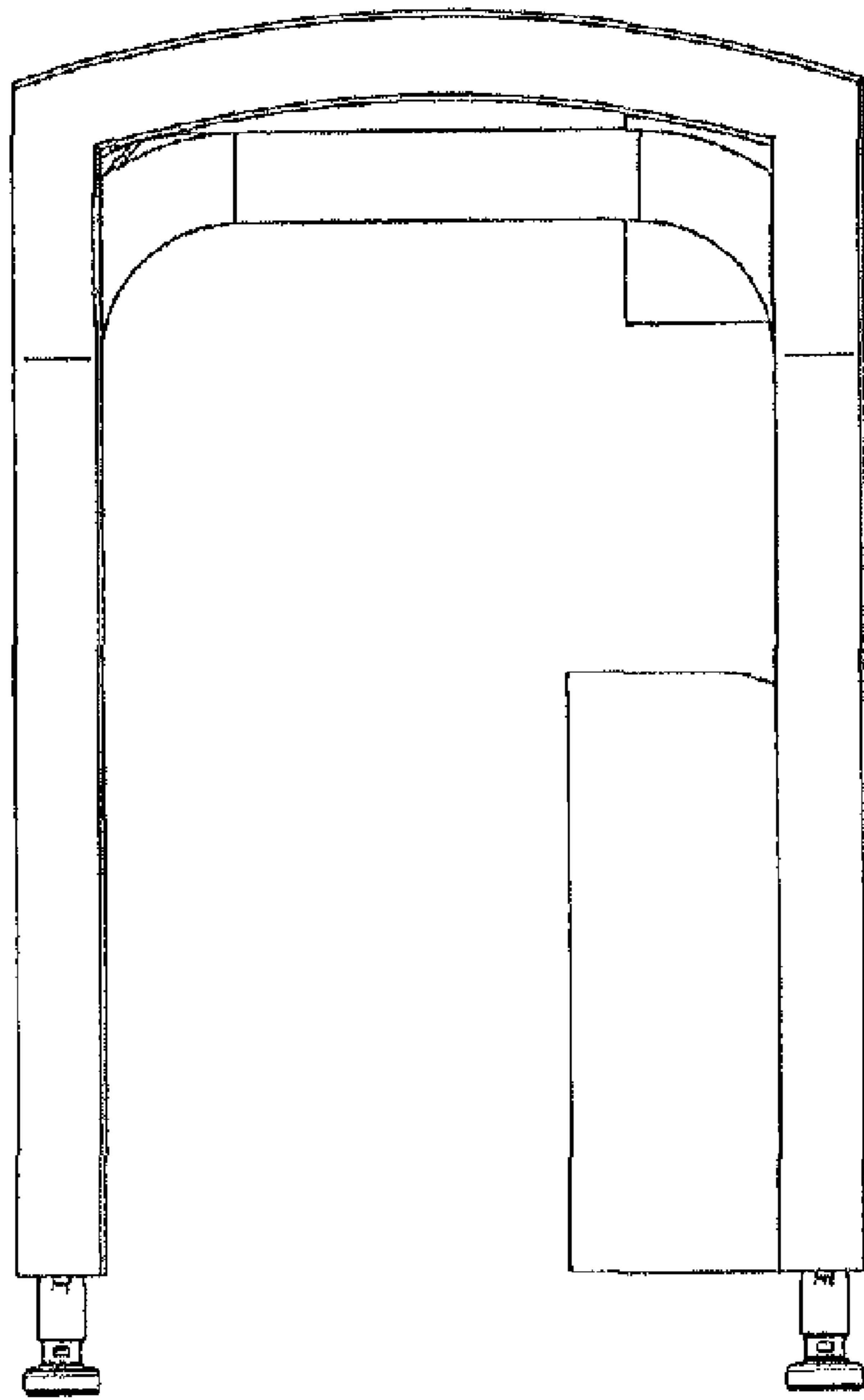


FIG. 3

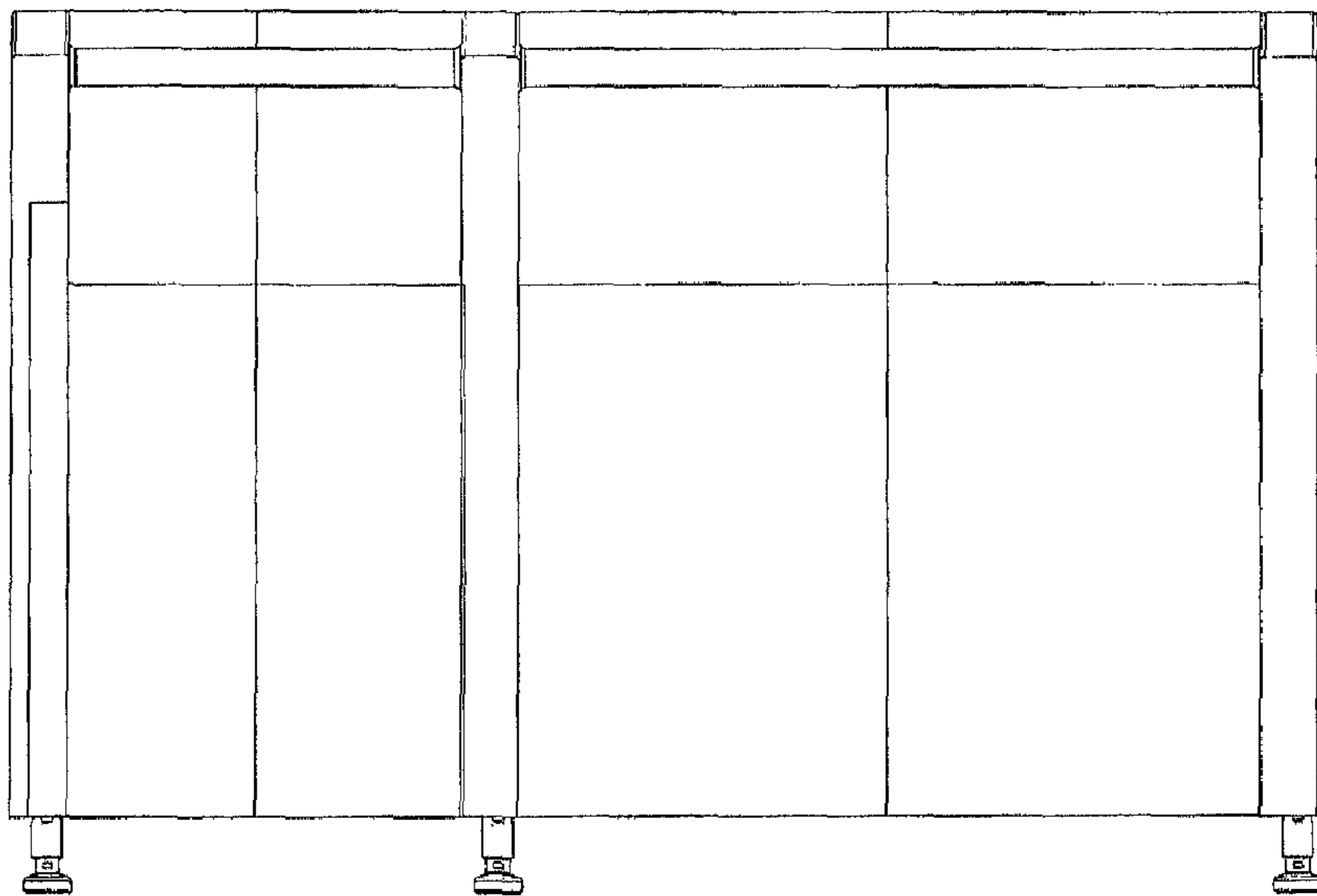


FIG. 4

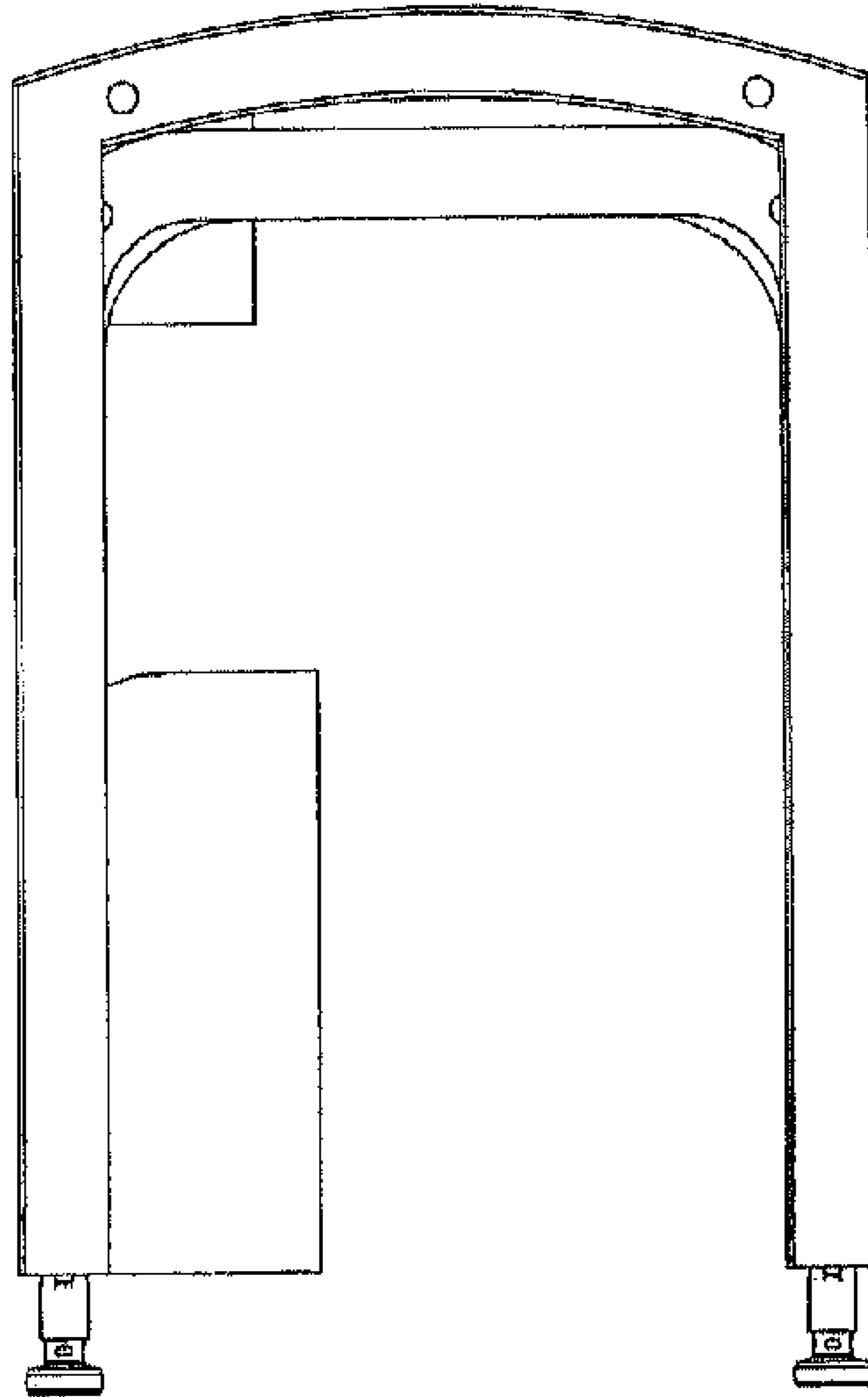


FIG. 5

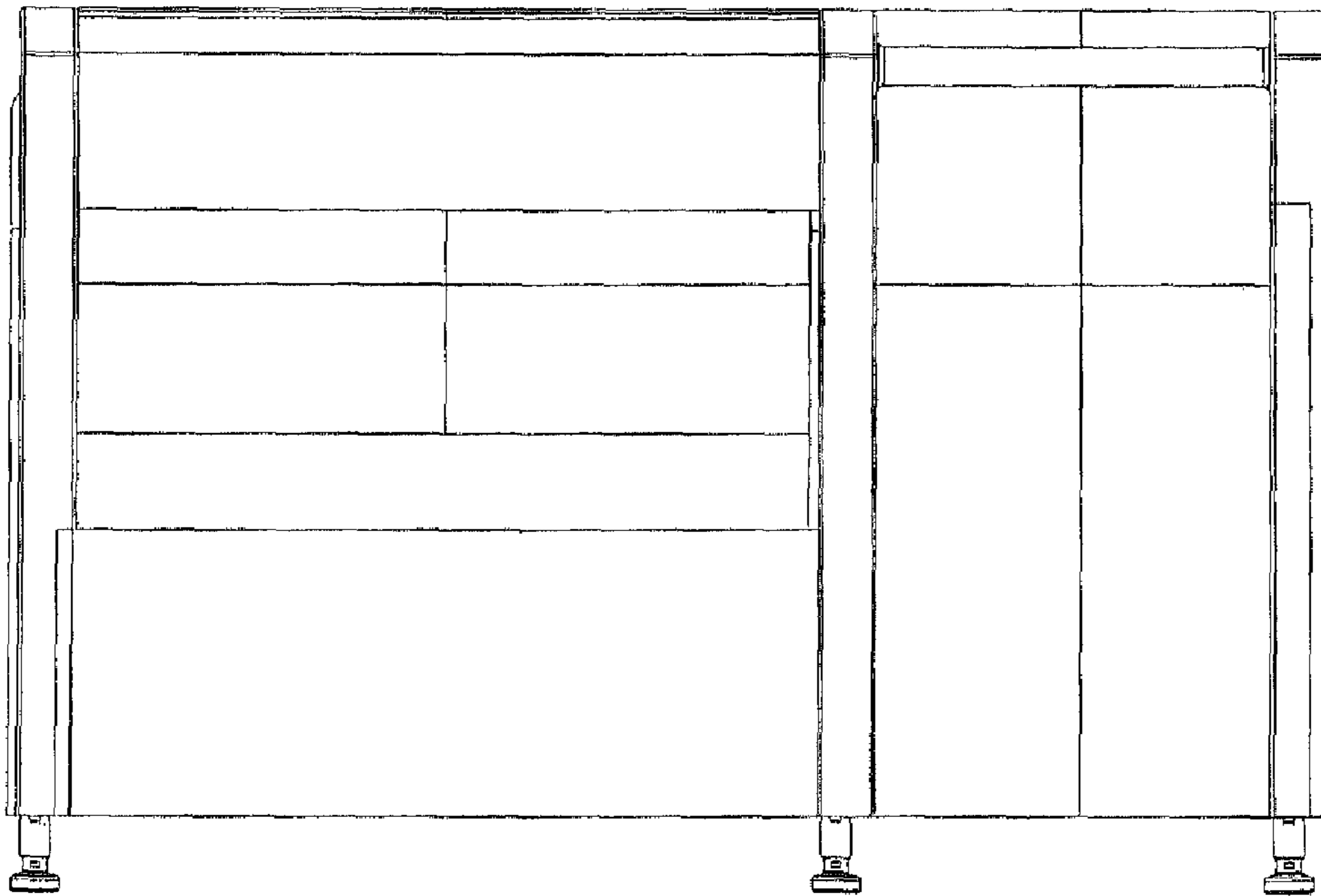


FIG. 6

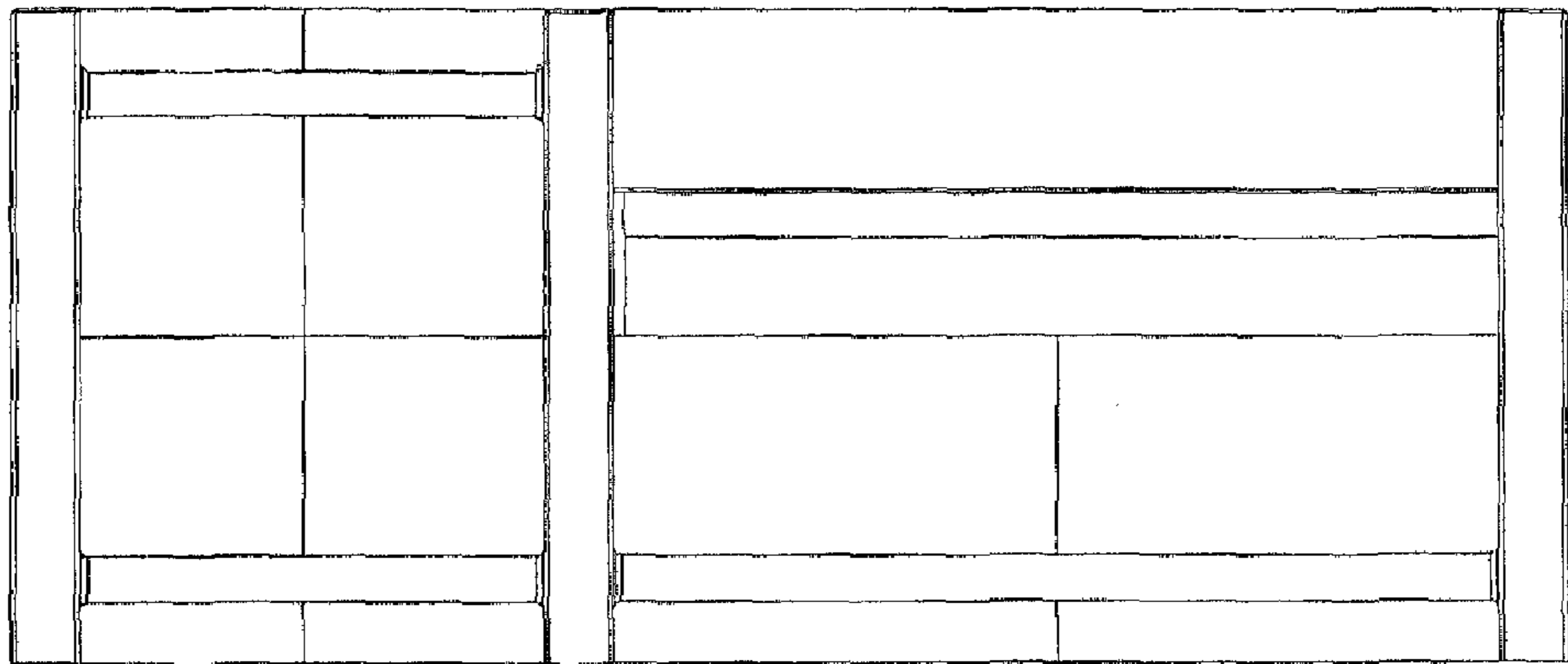


FIG. 7