



US00D667469S

(12) **United States Design Patent**
Kroening

(10) **Patent No.:** **US D667,469 S**

(45) **Date of Patent:** **** Sep. 18, 2012**

(54) **PORTABLE BENDING TABLE**

(75) **Inventor:** **John Wayne Kroening**, Machesney Park, IL (US)

(73) **Assignee:** **Greenlee Textron Inc.**, Rockford, IL (US)

(**) **Term:** **14 Years**

(21) **Appl. No.:** **29/417,337**

(22) **Filed:** **Apr. 2, 2012**

(51) **LOC (9) Cl.** **15-09**

(52) **U.S. Cl.** **D15/122**

(58) **Field of Classification Search** D8/59,
D8/29, 32; D15/122, 123; 72/7.1, 13.4,
72/149, 157, 158, 166, 173, 217, 306, 307,
72/387

See application file for complete search history.

(56) **References Cited**

U.S. PATENT DOCUMENTS

5,203,192	A *	4/1993	Kimura	72/217
5,339,670	A *	8/1994	Granelli	72/152
D357,925	S *	5/1995	Dossey	D15/122
D382,282	S *	8/1997	Micouleau	D15/122
5,678,441	A *	10/1997	Schwarze	72/149
5,836,194	A *	11/1998	Micouleau et al.	72/307
5,970,774	A *	10/1999	Burgess et al.	72/294
D456,823	S *	5/2002	Davi	D15/123
D486,164	S *	2/2004	Muller et al.	D15/123
2004/0250599	A1 *	12/2004	Shed	72/389.8
2005/0210945	A1 *	9/2005	Maier et al.	72/149

2009/0249853	A1 *	10/2009	Young et al.	72/68
2012/0055219	A1 *	3/2012	Cooke	72/166
2012/0055221	A1 *	3/2012	Chiu et al.	72/333
2012/0079711	A1 *	4/2012	Stancu et al.	29/623.1

OTHER PUBLICATIONS

Printout from www.greenlee.com website showing image of Table, Bending-Pipe (1813); printed Jun. 5, 2012 (1 page).

Printout from www.frostelectric.com website showing image of "Associated Electric 881A Adapter for BC100 Bend Cart for Greenlee Bender;" printed Jun. 5, 2012 (1 page).

* cited by examiner

Primary Examiner — Patricia Palasik

(74) *Attorney, Agent, or Firm* — Clark Hill PLC

(57) **CLAIM**

The ornamental design for a portable bending table, as shown and described.

DESCRIPTION

FIG. 1 is a perspective view of the portable bending table; FIG. 2 is a rear elevational view of the portable bending table; FIG. 3 is a front elevational view of the portable bending table;

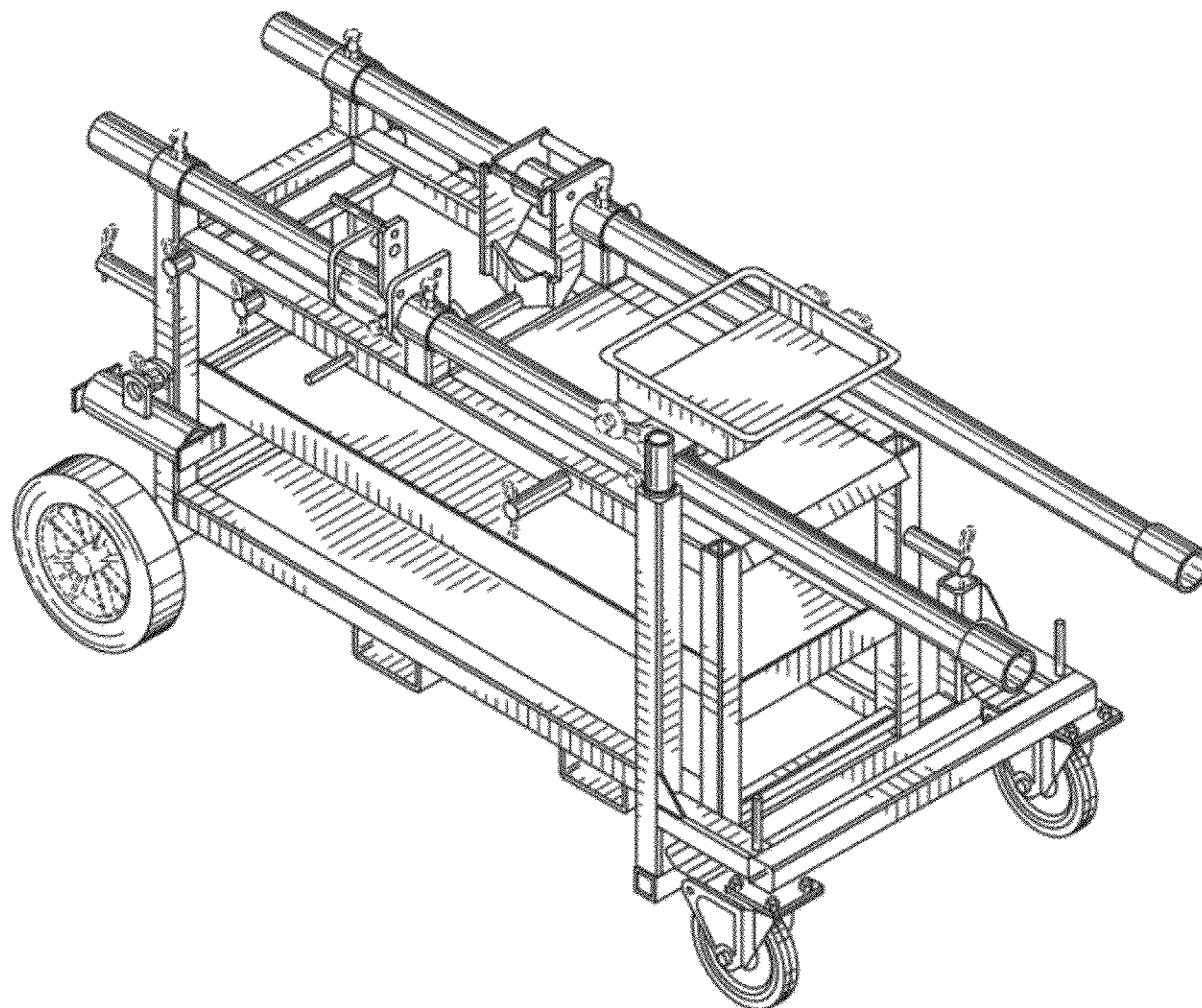
FIG. 4 is a left side elevational view of the portable bending table;

FIG. 5 is a right side elevational view of the portable bending table;

FIG. 6 is a top plan view of the portable bending table; and, FIG. 7 is a bottom plan view of the portable bending table.

The broken lines in the drawings depict unclaimed environmental subject matter.

1 Claim, 4 Drawing Sheets



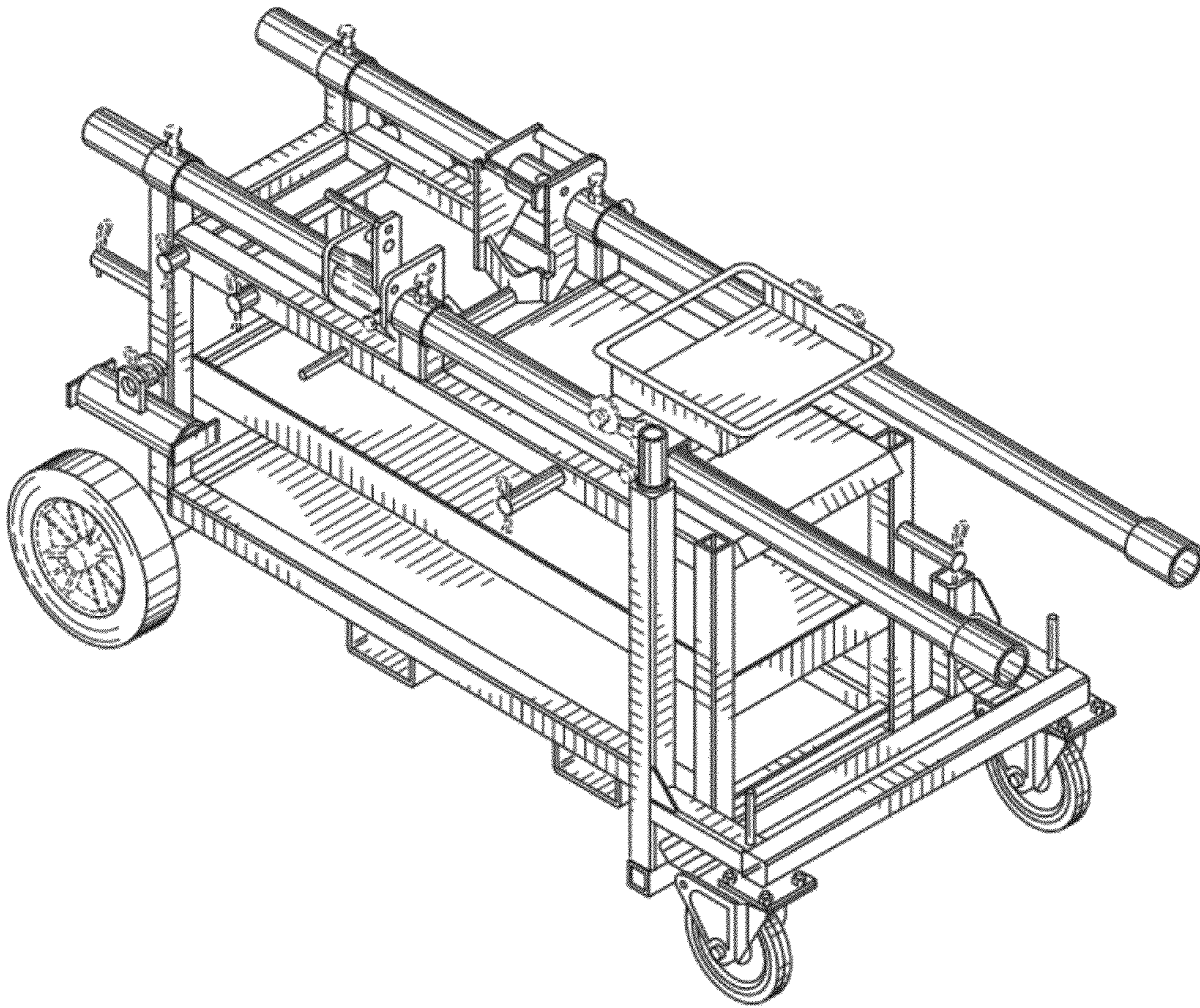


FIG. 1

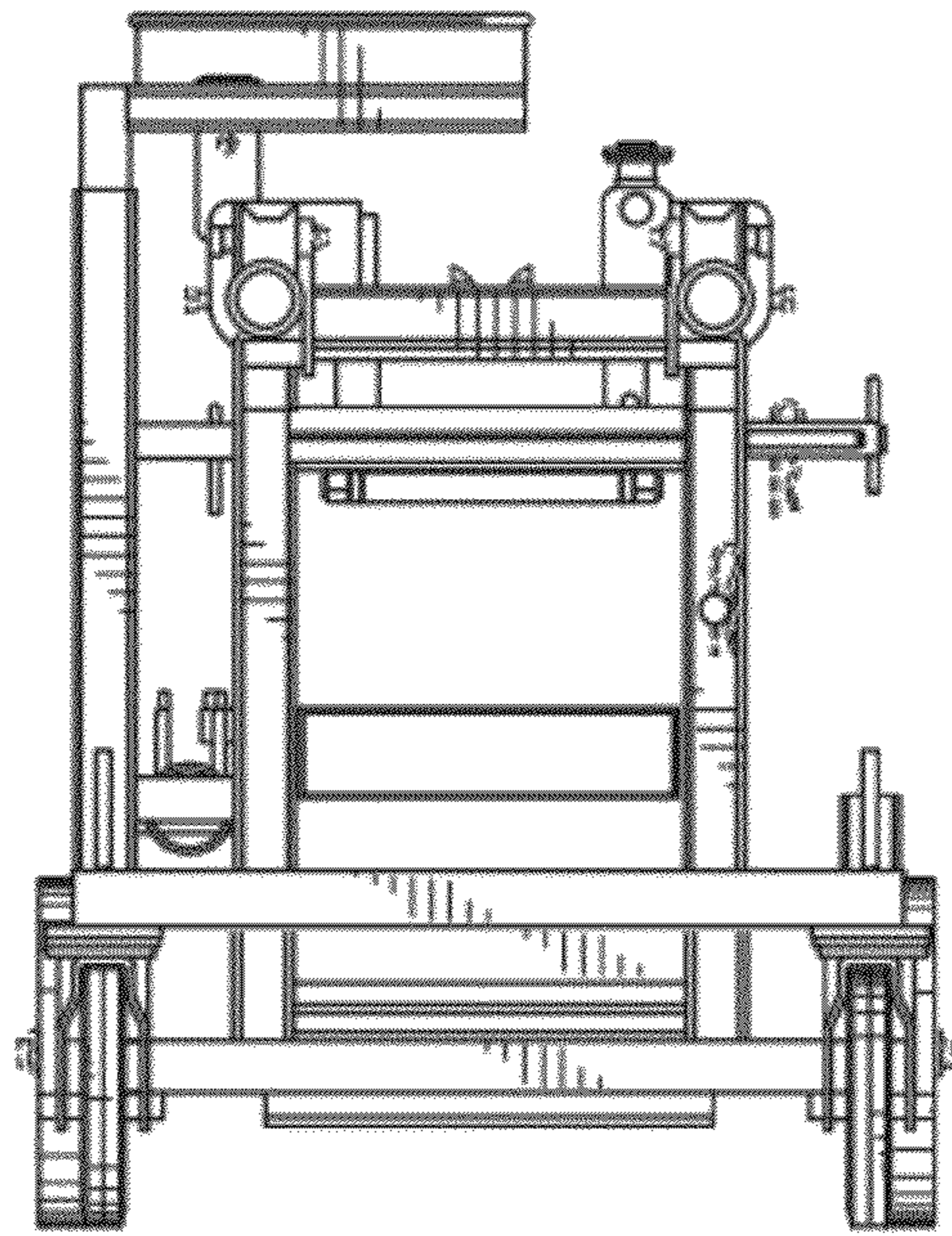


FIG. 2

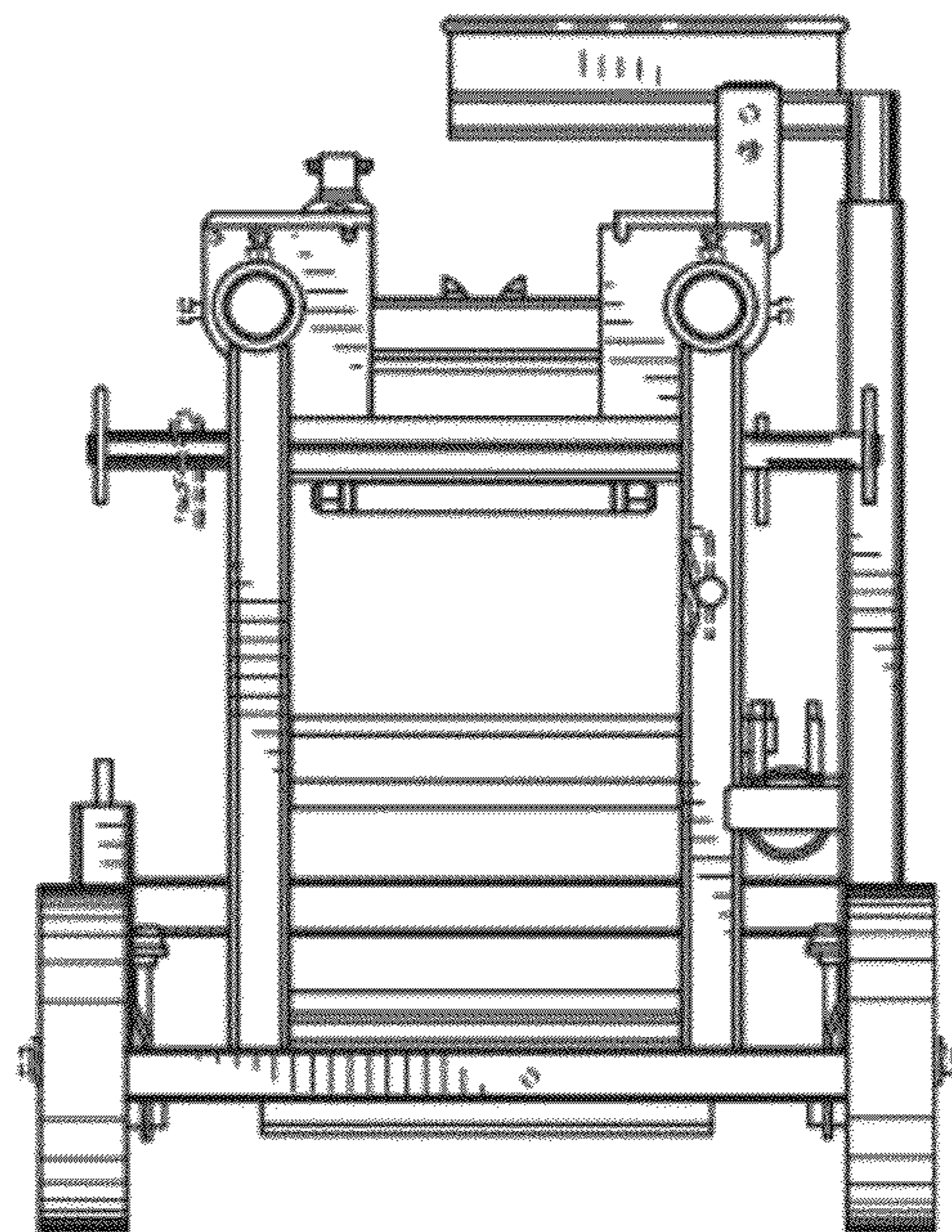


FIG. 3

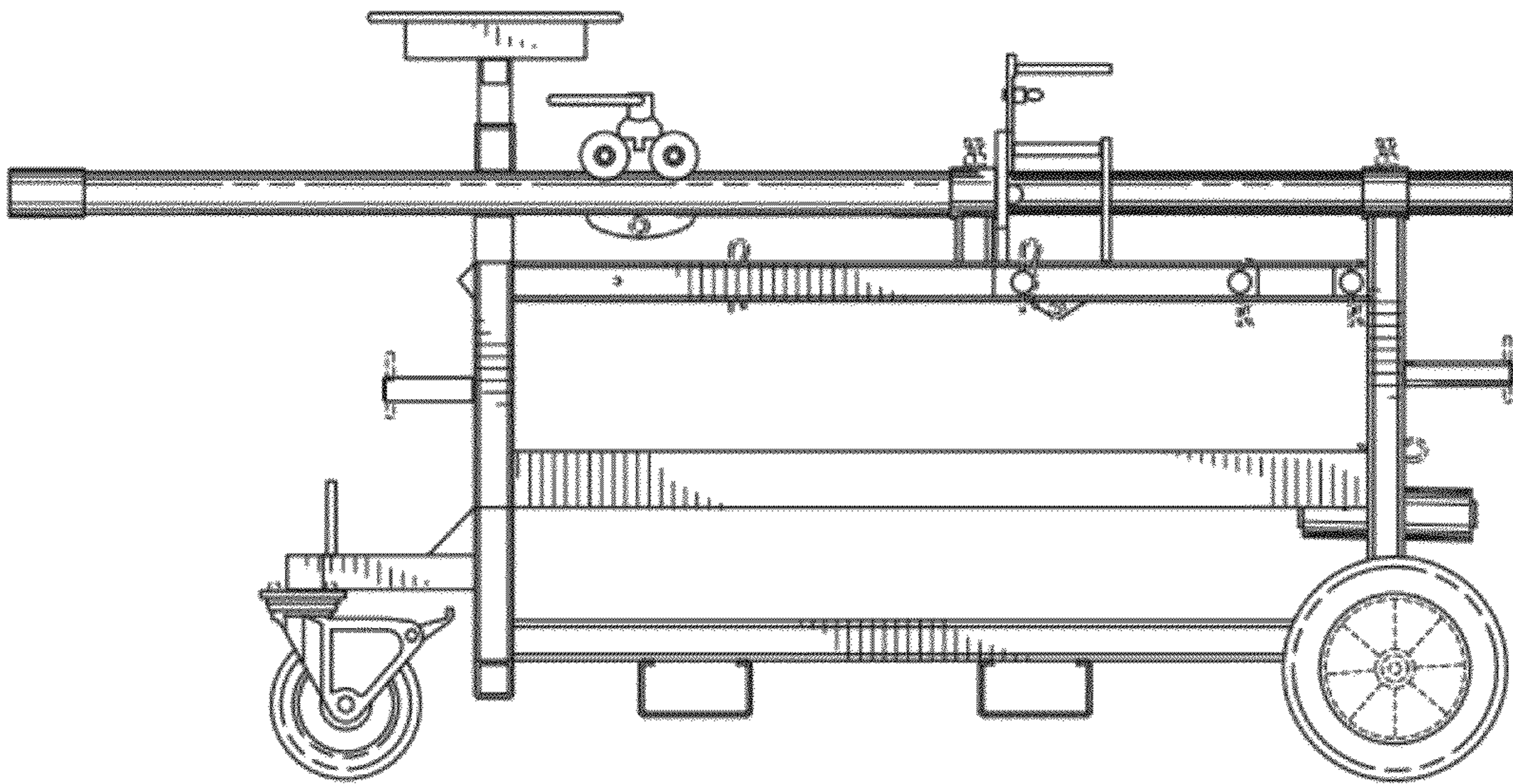


FIG. 4

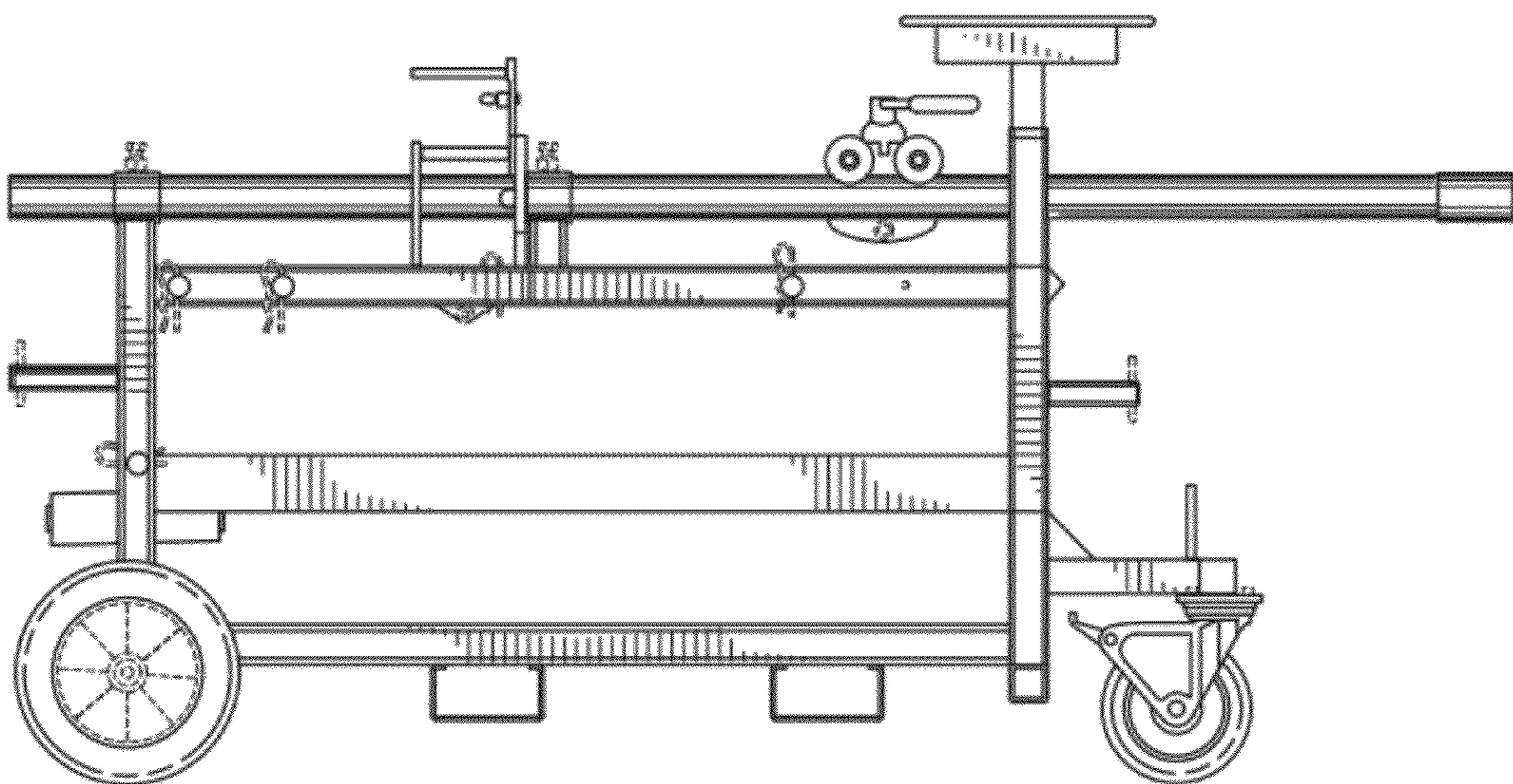


FIG. 5

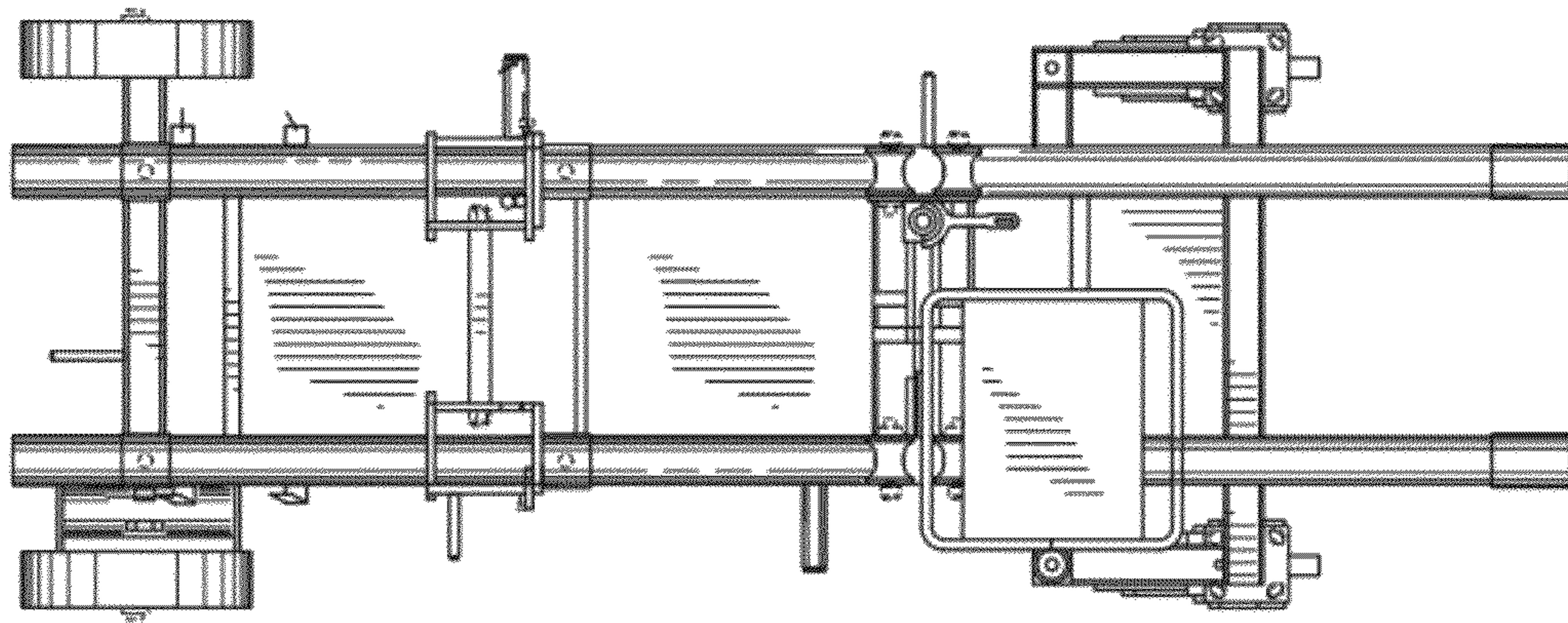


FIG. 6

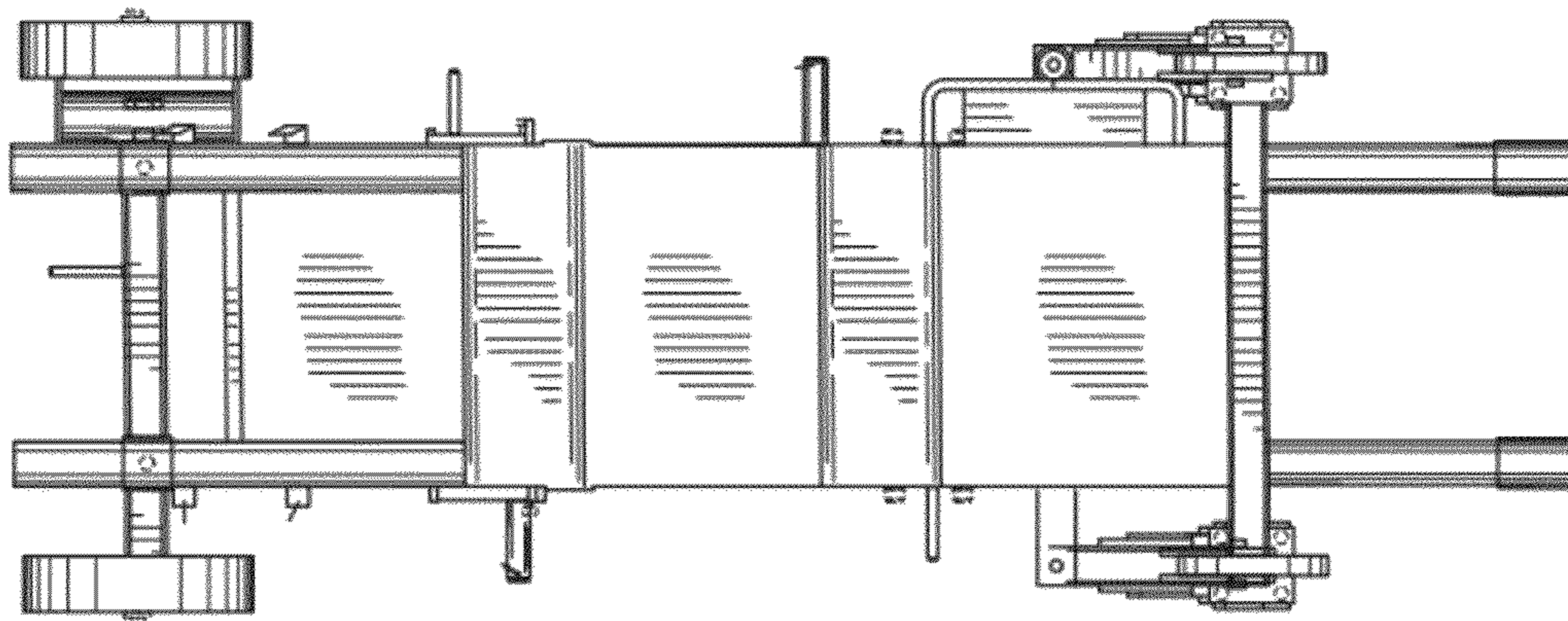


FIG. 7