

US00D667467S

(12) **United States Design Patent**
Kosugi et al.

(10) **Patent No.:** **US D667,467 S**

(45) **Date of Patent:** **** Sep. 18, 2012**

(54) **AIR COMPRESSOR**

(56) **References Cited**

(75) Inventors: **Shingo Kosugi**, Hitachinaka (JP); **Rui Akiba**, Hitachinaka (JP); **Masanori Okada**, Hitachinaka (JP); **Kenichi Matsunaga**, Hitachinaka (JP); **Hiroki Kitagawa**, Hitachinaka (JP)

(73) Assignee: **Hitachi Koki Co., Ltd.**, Tokyo (JP)

(**) Term: **14 Years**

(21) Appl. No.: **29/396,788**

(22) Filed: **Jul. 7, 2011**

(30) **Foreign Application Priority Data**

Jan. 7, 2011 (JP) 2011-000223

(51) **LOC (9) Cl.** **15-02**

(52) **U.S. Cl.** **D15/9**

(58) **Field of Classification Search** D15/7-9;
D23/231, 232, 225; 417/60, 235, 265, 321,
417/355, 358, 363, 359, 410.1, 415-416,
417/405, 900; 60/408, 412; 184/26-37;
415/140-147; 123/495, 509

See application file for complete search history.

U.S. PATENT DOCUMENTS

D500,051	S	*	12/2004	Lucchi	D15/9
D500,052	S	*	12/2004	Lucchi	D15/9
D500,328	S	*	12/2004	Lucchi	D15/9
D529,518	S	*	10/2006	Buck	D15/9
D539,310	S	*	3/2007	Matsuoka et al.	D15/9
D541,305	S	*	4/2007	Hernandez et al.	D15/9
D556,219	S	*	11/2007	Buck	D15/9
D603,879	S	*	11/2009	Kosugi et al.	D15/9
D635,589	S	*	4/2011	Bongard et al.	D15/9

* cited by examiner

Primary Examiner — Ralf Seifert

(74) *Attorney, Agent, or Firm* — Sughrue Mion, PLLC

(57) **CLAIM**

The ornamental design for air compressor, as shown and described.

DESCRIPTION

FIG. 1 is a front perspective view of the air compressor showing our new design:

FIG. 2 is a rear perspective view thereof;

FIG. 3 is a front view thereof;

FIG. 4 is a rear view thereof;

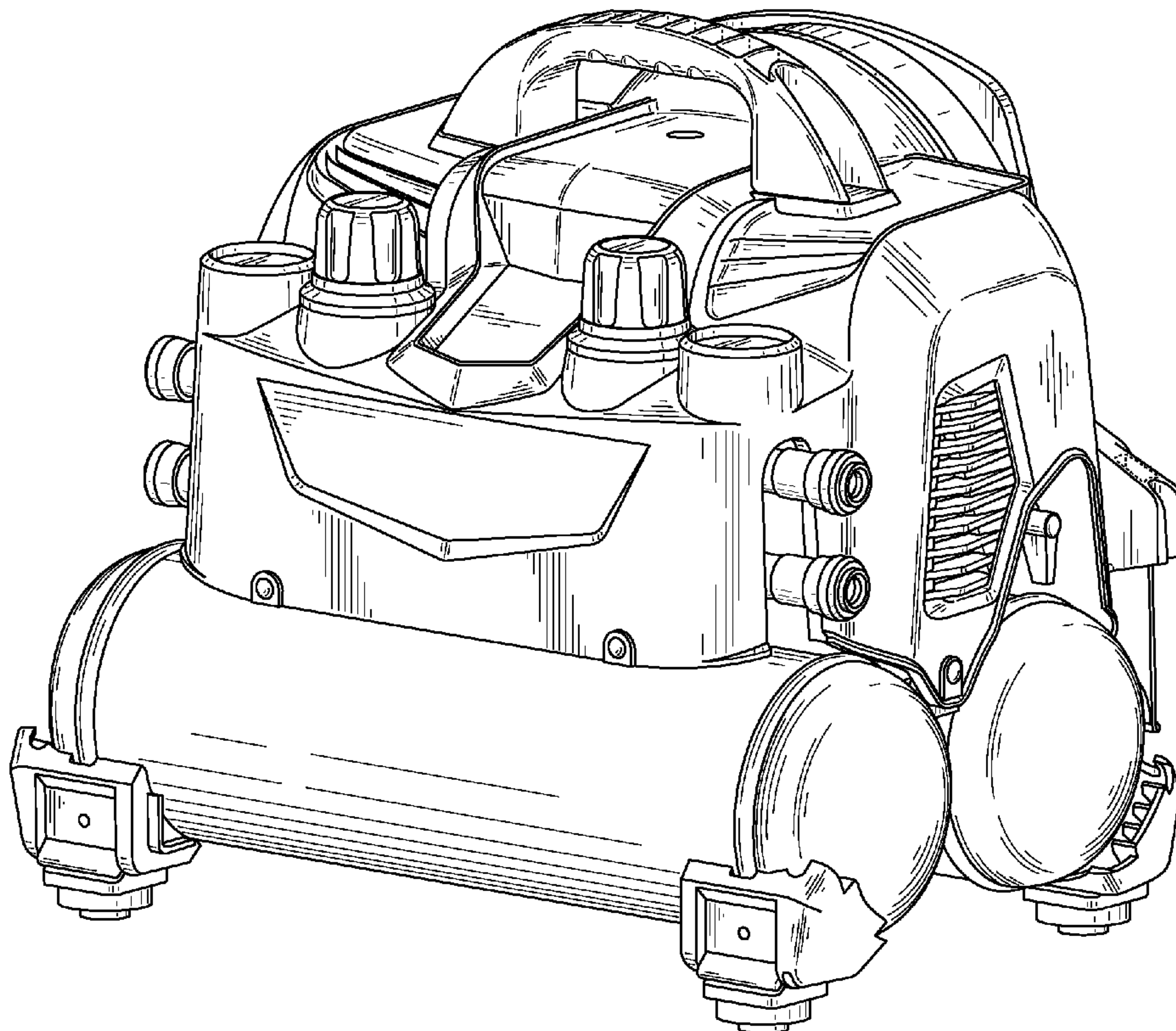
FIG. 5 is a left side view thereof;

FIG. 6 is a right side view thereof;

FIG. 7 is a top plan view thereof; and,

FIG. 8 is a bottom view thereof.

1 Claim, 8 Drawing Sheets



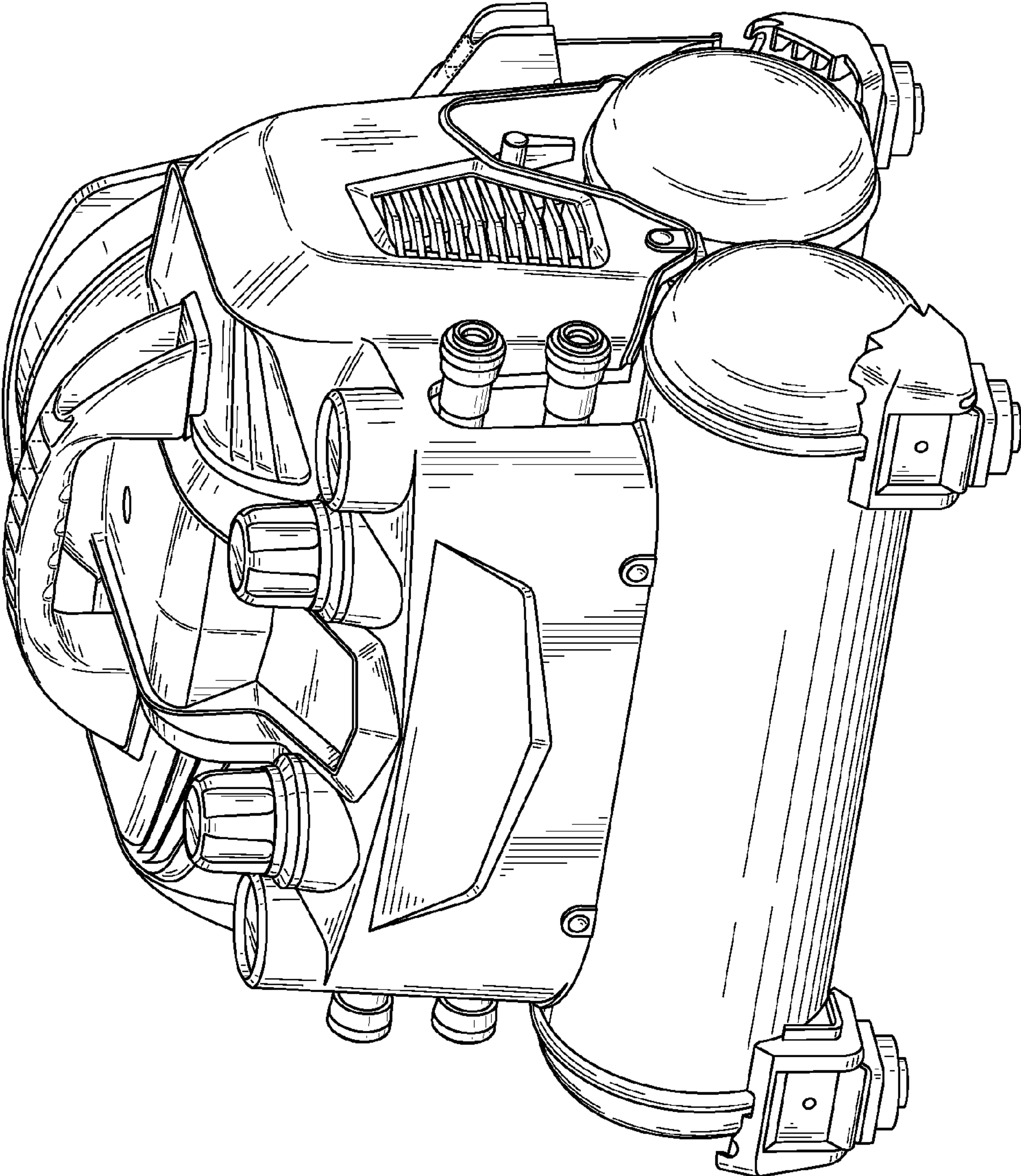


FIG. 1

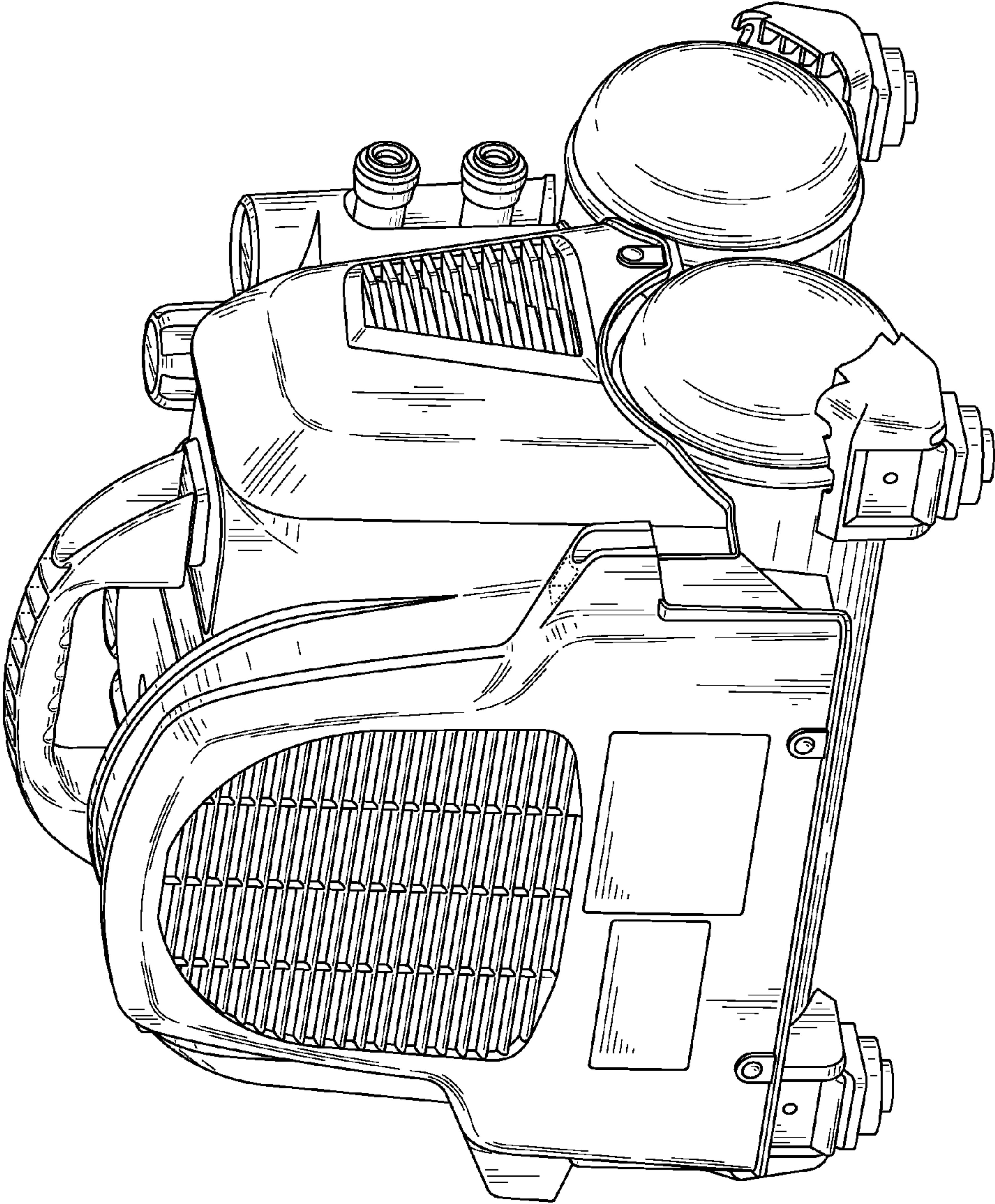


FIG. 2

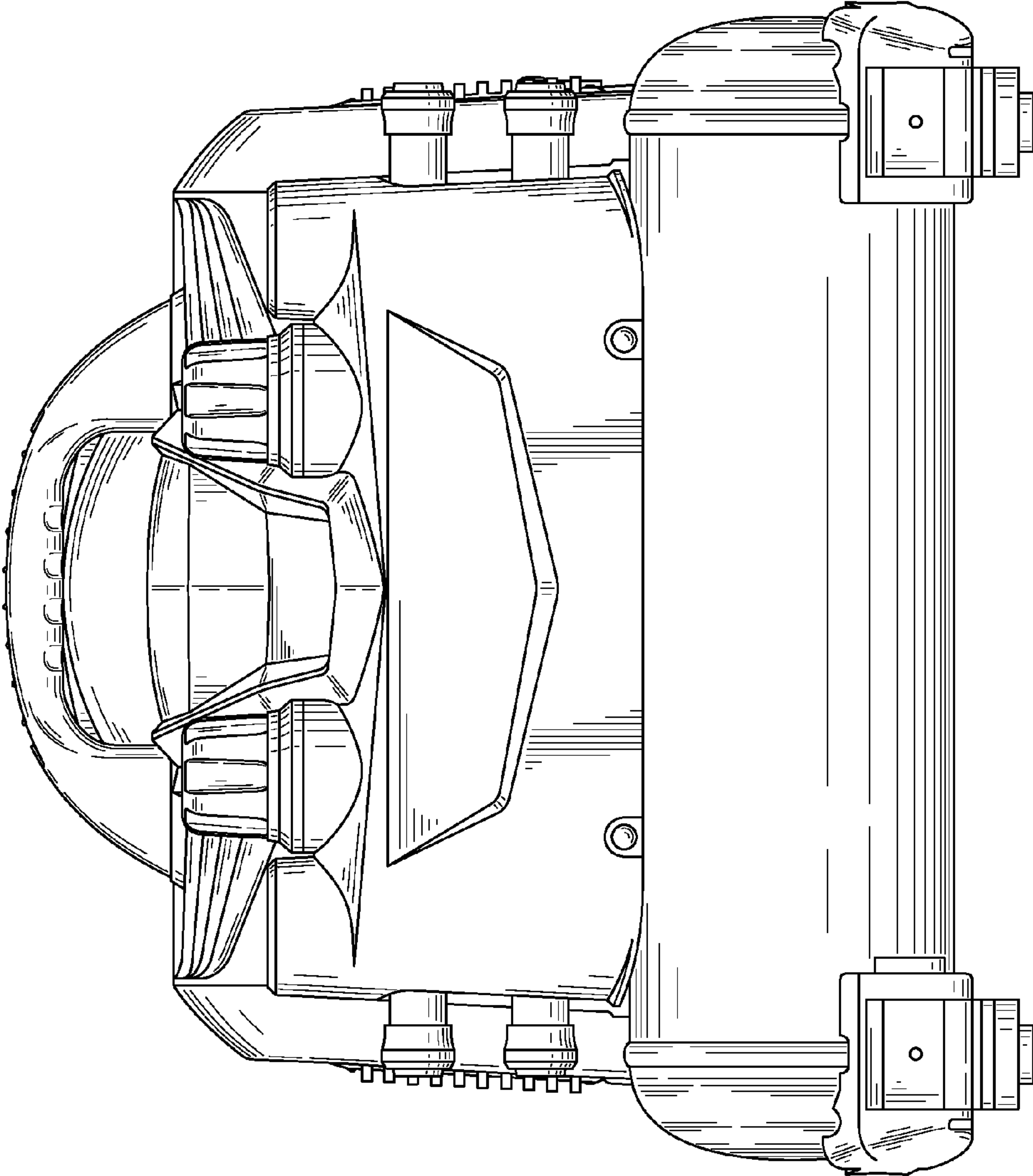


FIG. 3

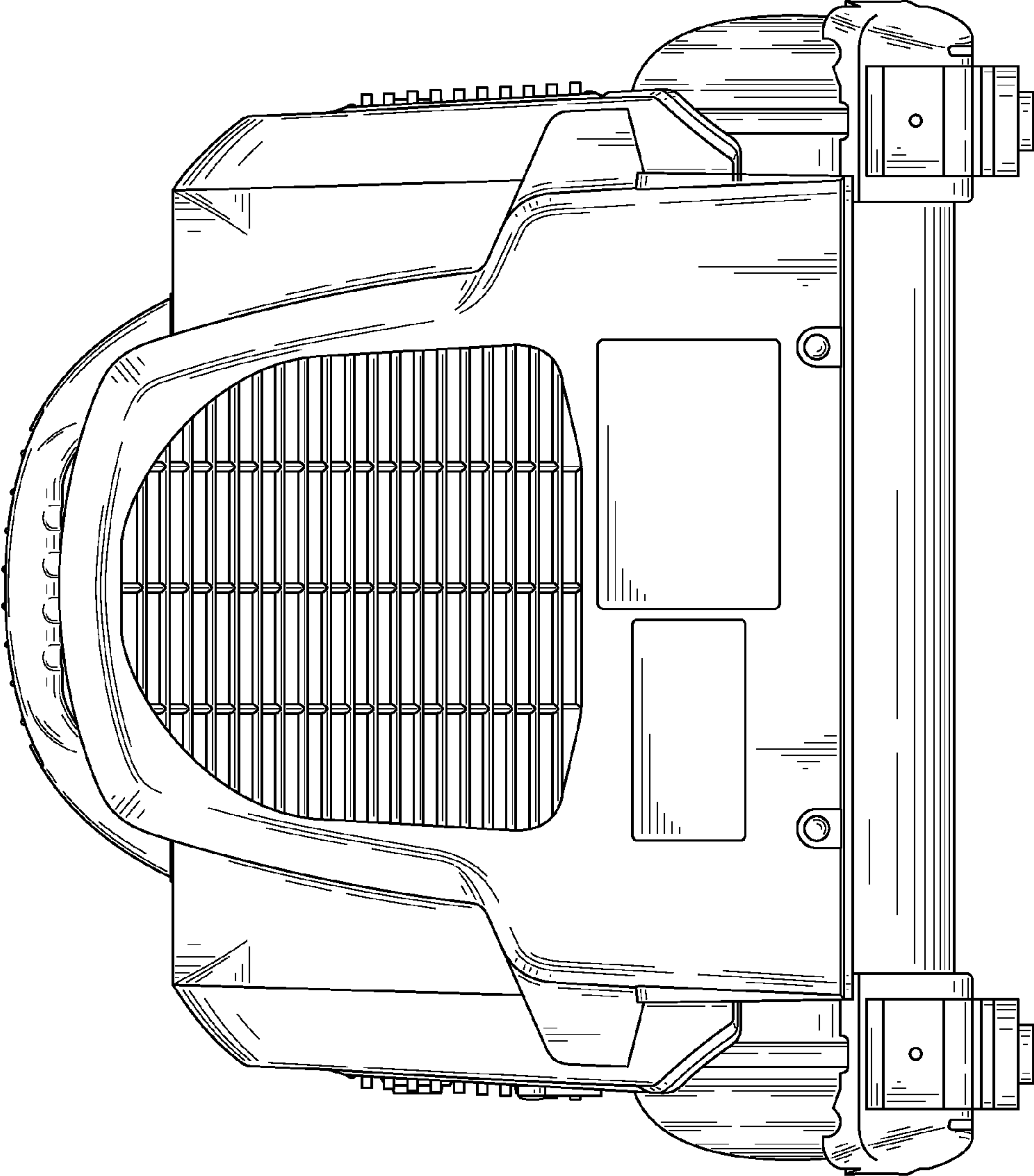


FIG. 4

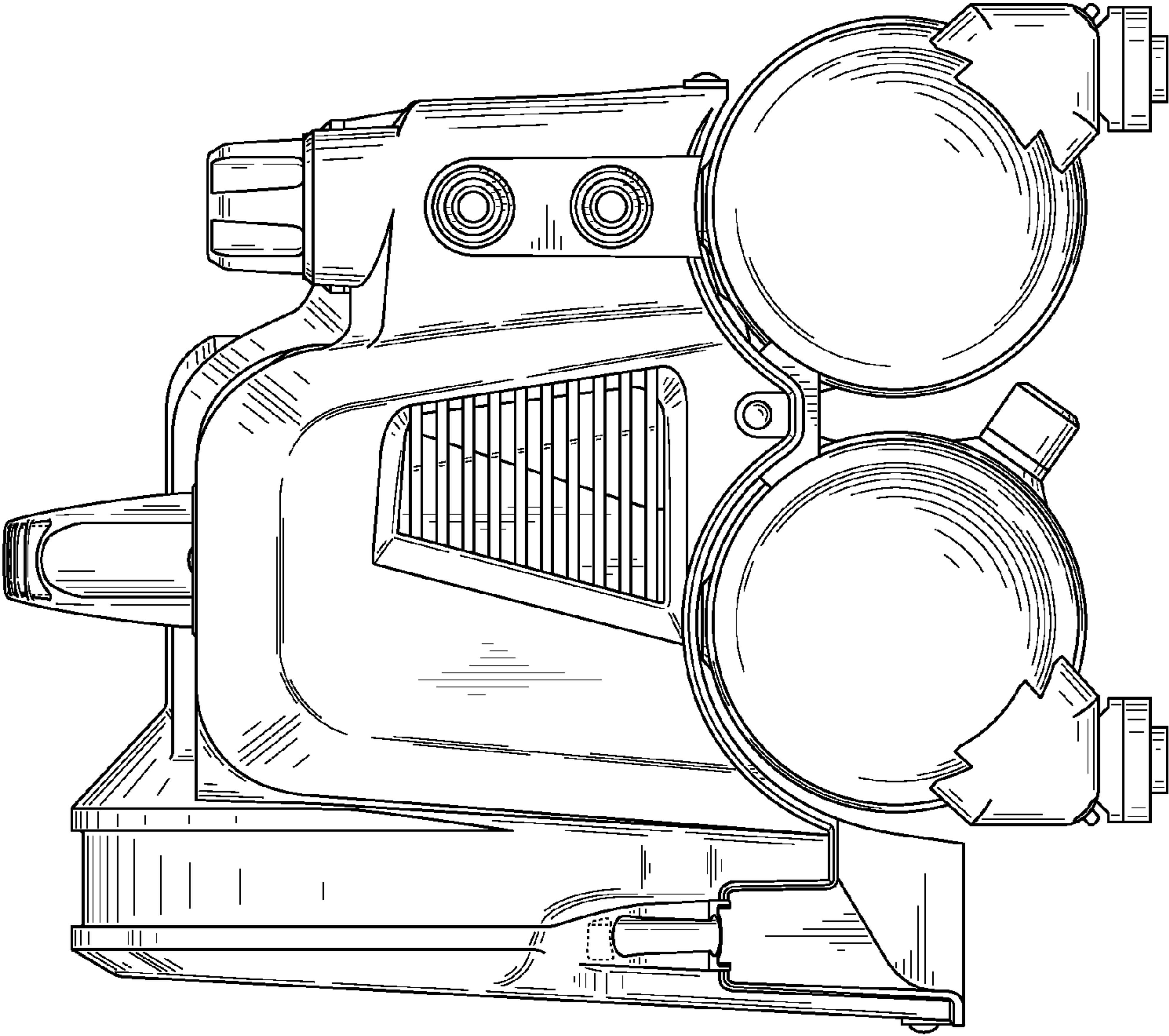


FIG. 5

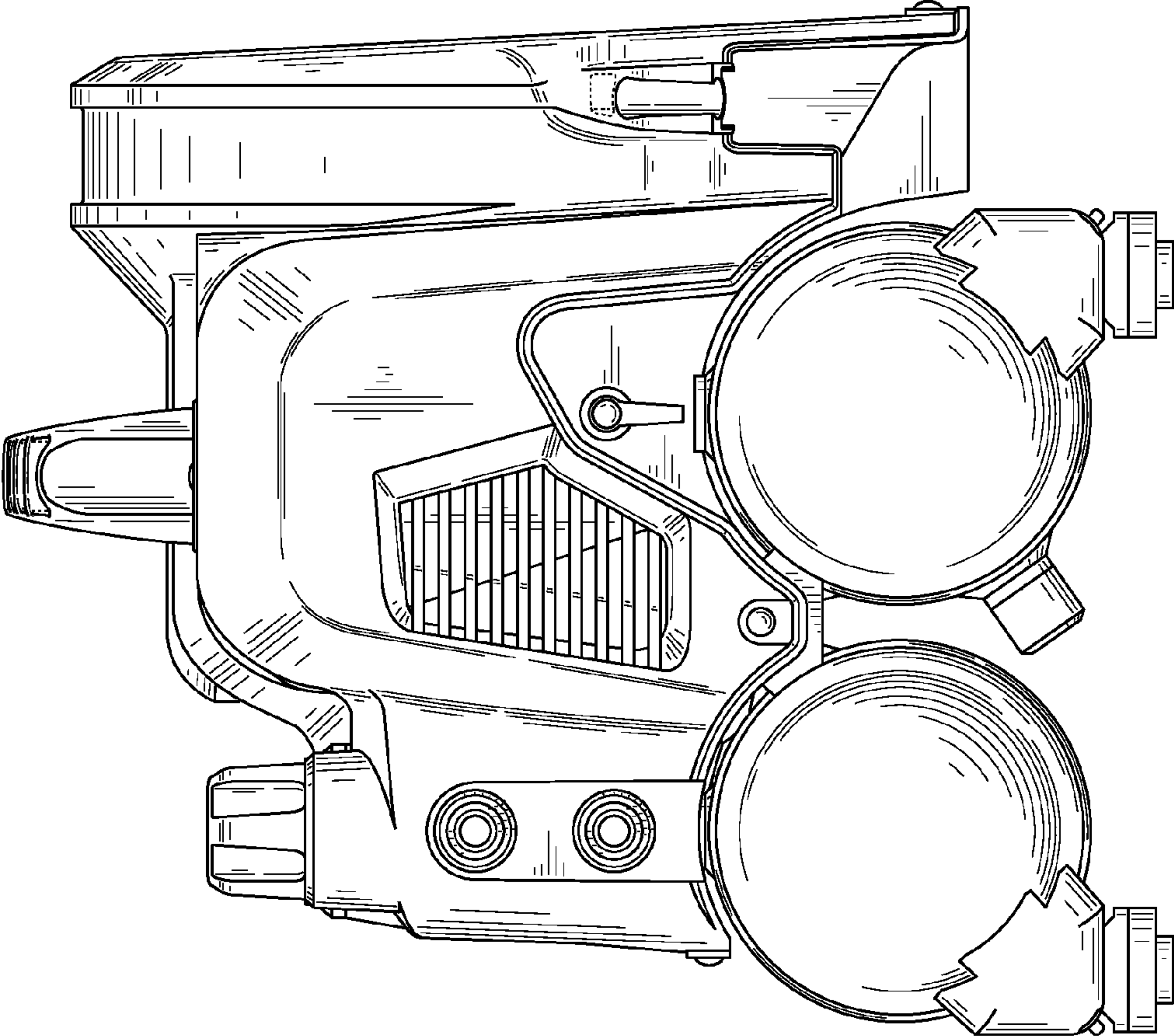


FIG. 6

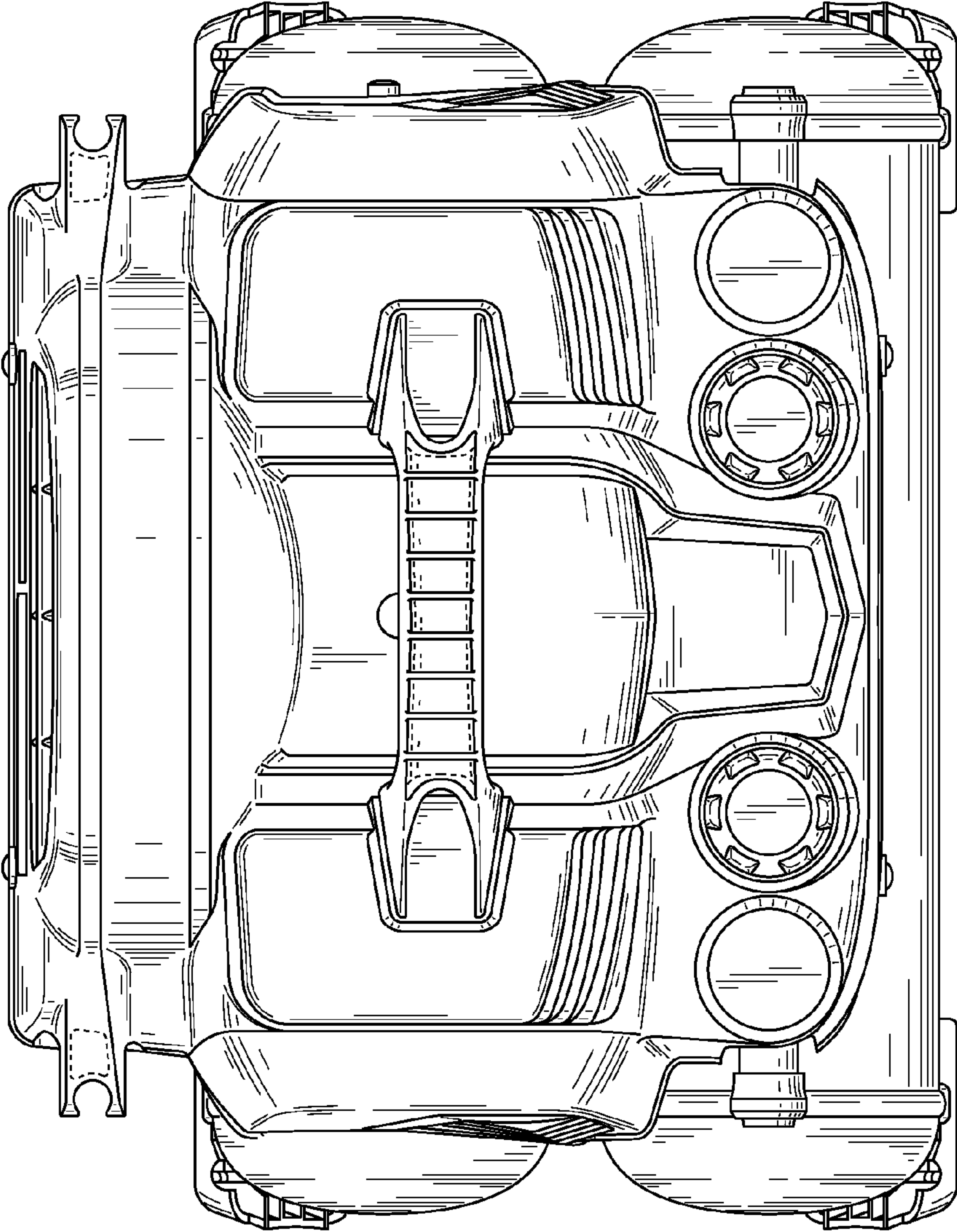


FIG. 7

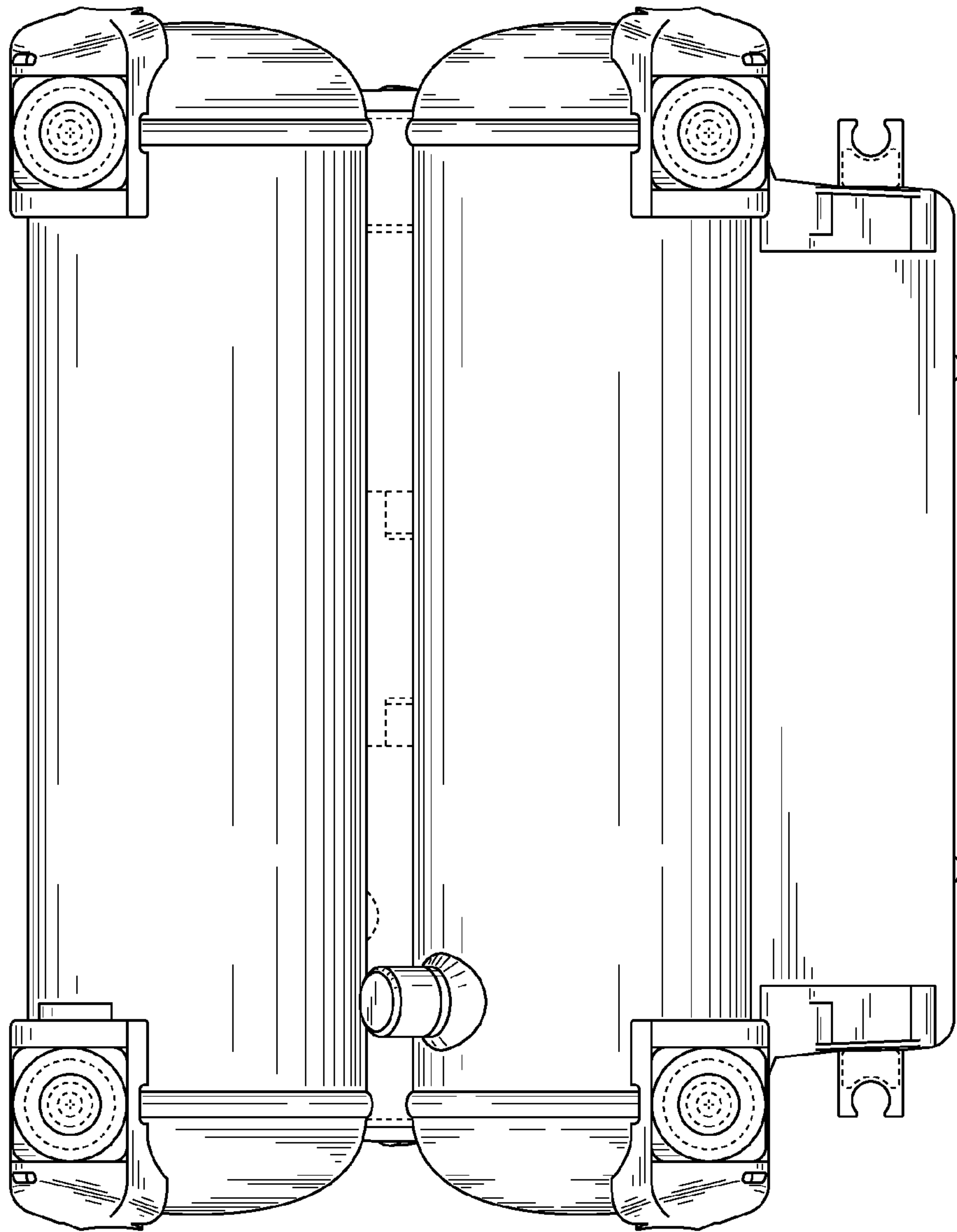


FIG. 8