



US00D667466S

(12) **United States Design Patent**  
**Barmore et al.**

(10) **Patent No.:** **US D667,466 S**

(45) **Date of Patent:** **\*\* Sep. 18, 2012**

(54) **UTILITY PUMP**

(75) Inventors: **Christopher K. Barmore**, Arlington, MA (US); **Daniel J. DeOreo**, Manchester, MA (US); **Randall H. Moormann**, Georgetown, MA (US)

(73) Assignee: **Flow Control LLC**, Gloucester, MA (US)

(\*\*) Term: **14 Years**

(21) Appl. No.: **29/406,796**

(22) Filed: **Nov. 18, 2011**

(51) **LOC (9) Cl.** ..... **15-02**

(52) **U.S. Cl.** ..... **D15/7**

(58) **Field of Classification Search** ..... D15/7-9;  
D23/231, 232, 225; 417/60, 235, 265, 321,  
417/355, 358, 363, 359, 410.1, 415-416,  
417/405, 900; 60/408, 412; 184/26-37;  
415/140-147; 123/495, 509

See application file for complete search history.

(56) **References Cited**

U.S. PATENT DOCUMENTS

D453,775 S \* 2/2002 Chou ..... D15/7  
D466,527 S \* 12/2002 Graber et al. .... D15/9  
D605,663 S \* 12/2009 Hopper ..... D15/7

D620,500 S \* 7/2010 Brandt et al. .... D15/9  
D644,250 S \* 8/2011 Barber et al. .... D15/7  
D649,163 S \* 11/2011 Moormann et al. .... D15/7

\* cited by examiner

*Primary Examiner* — Ralf Seifert

(57) **CLAIM**

We claim the ornamental design of a utility pump, as shown and described herein.

**DESCRIPTION**

FIG. 1 is a top perspective view of a utility pump according to some embodiments of the present invention;

FIG. 2 is a top perspective view of the utility pump in FIG. 1 rotated 180° according to some embodiments of the present invention;

FIG. 3 is a side view of the utility pump in FIG. 1 from one side according to some embodiments of the present invention;

FIG. 4 is a side view of the utility pump shown in FIG. 1 from the other side according to some embodiments of the present invention;

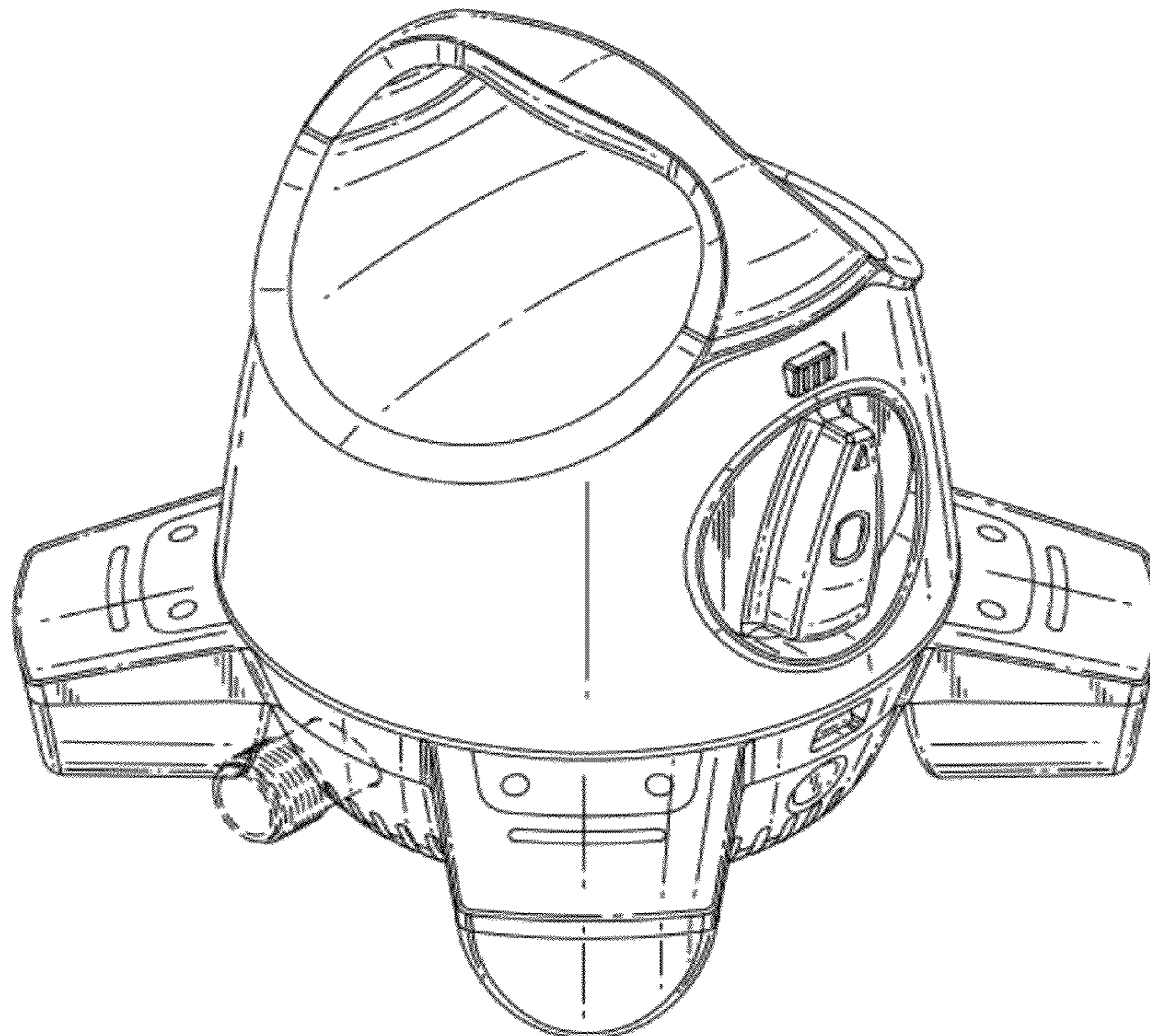
FIG. 5 is a front view of the utility pump shown in FIG. 1 according to some embodiments of the present invention;

FIG. 6 is a back view of the utility pump shown in FIG. 1 according to some embodiments of the present invention;

FIG. 7 is a top view of the utility pump shown in FIG. 1 according to some embodiments of the present invention; and,

FIG. 8 is a bottom view of the utility pump shown in FIG. 1 according to some embodiments of the present invention.

**1 Claim, 4 Drawing Sheets**



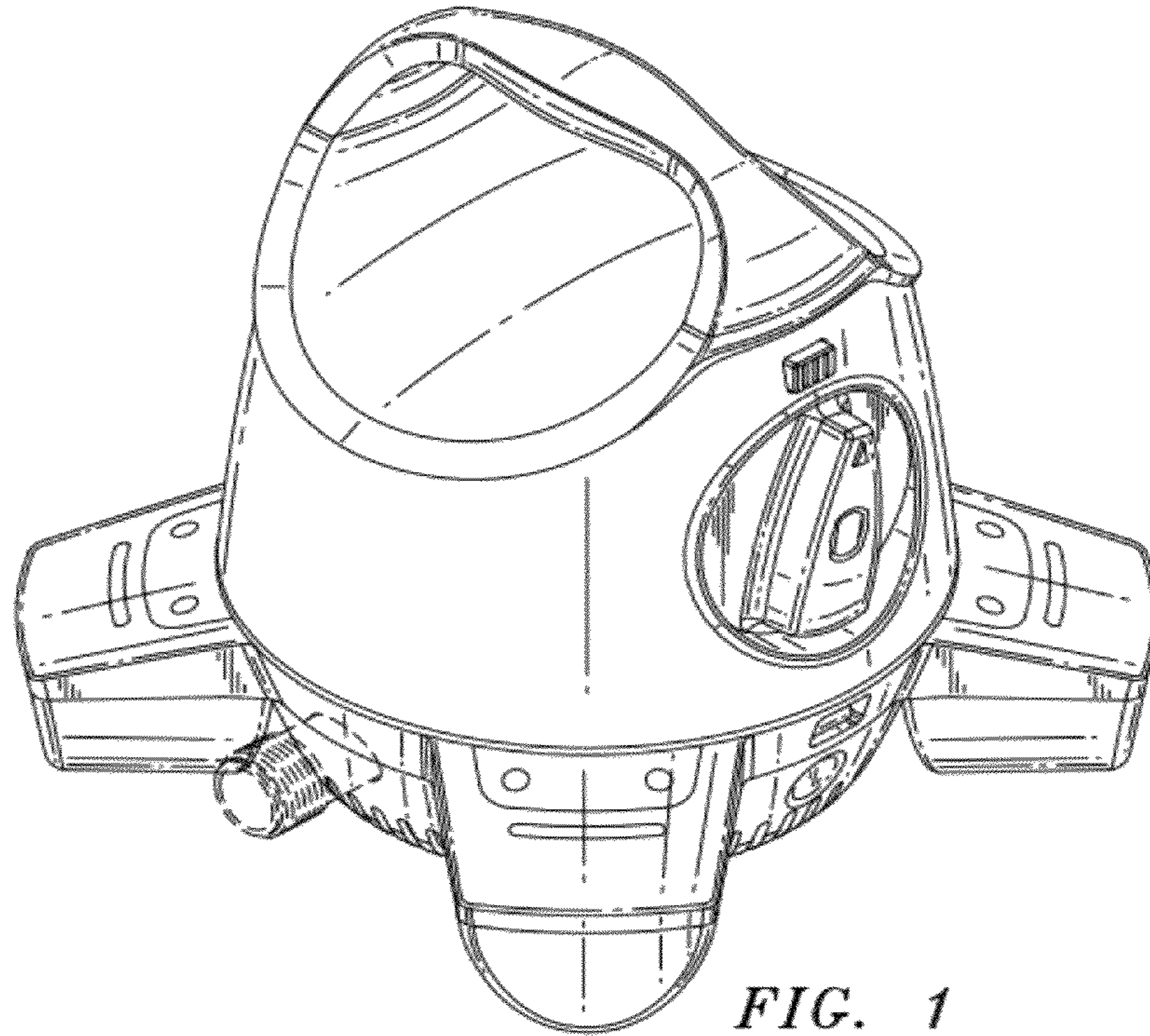


FIG. 1

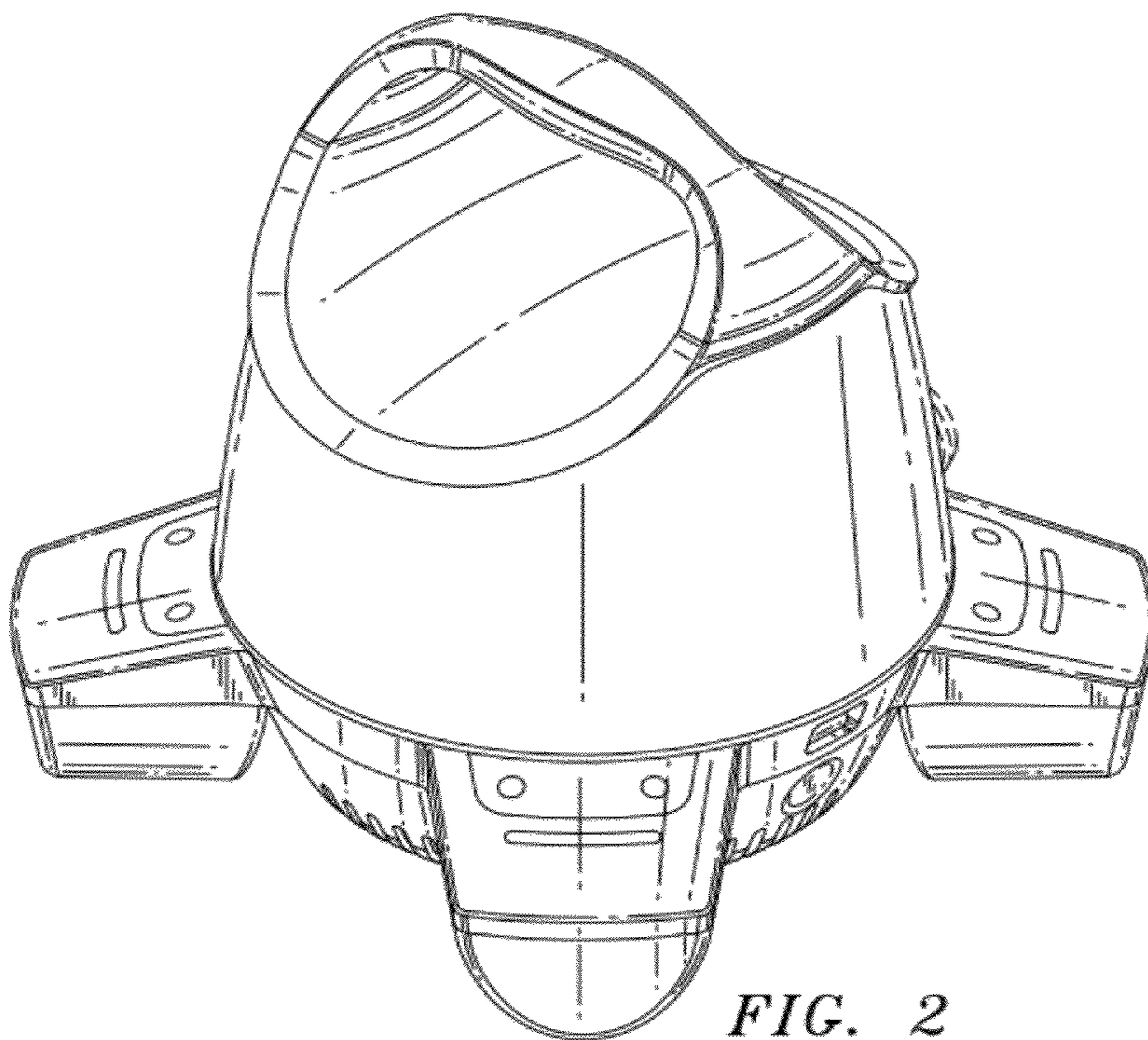


FIG. 2

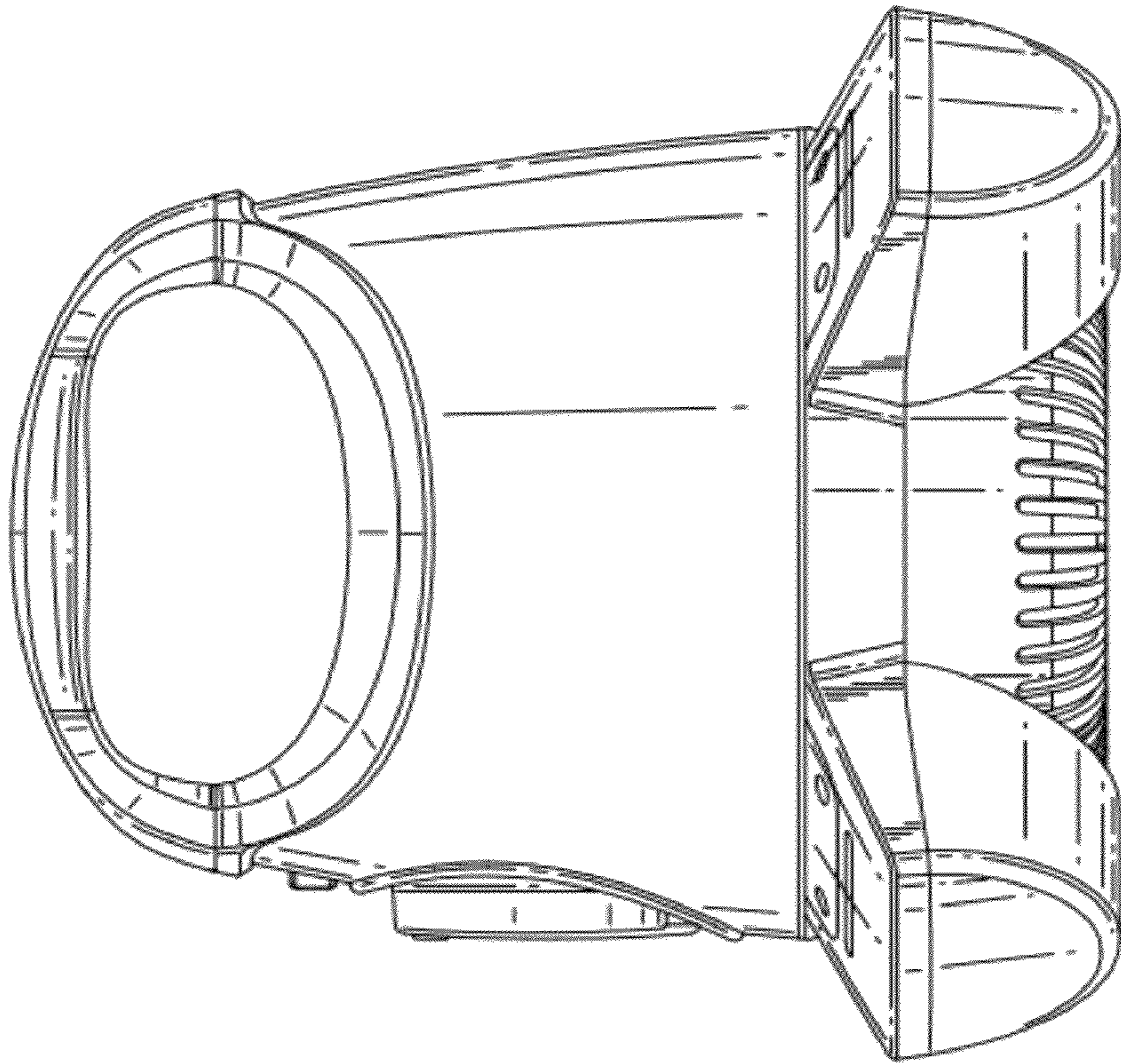


FIG. 4

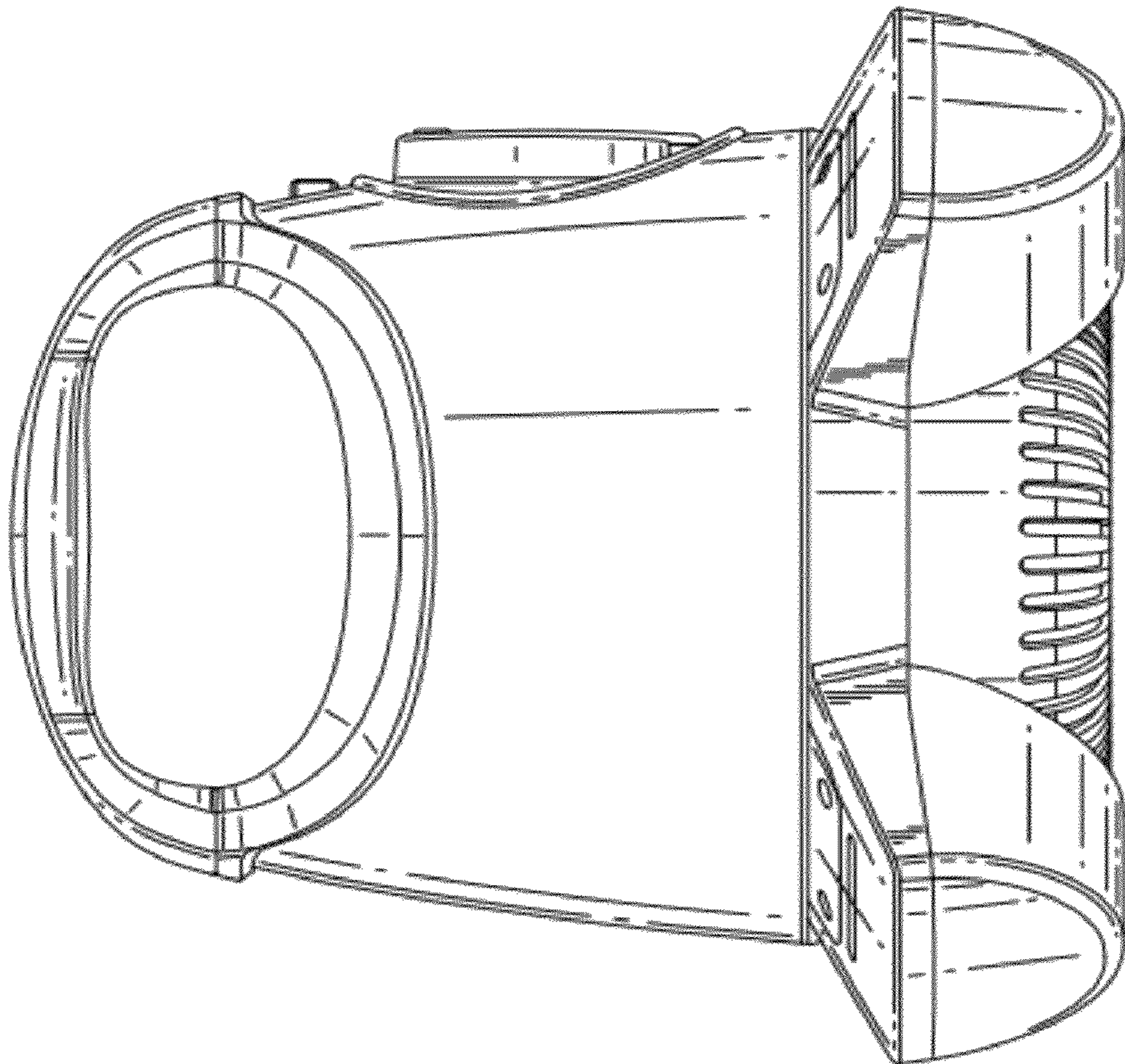


FIG. 3

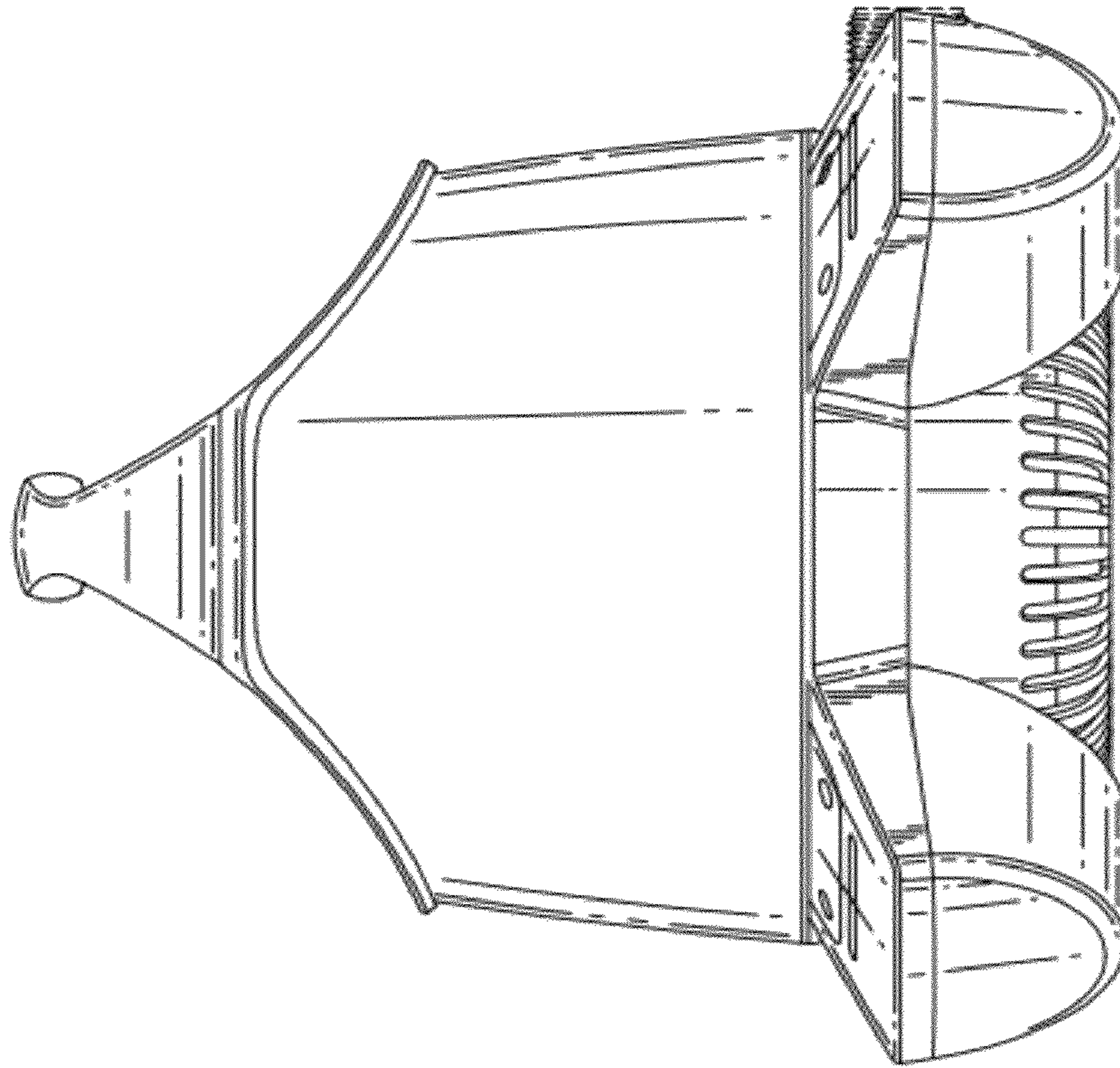


FIG. 6

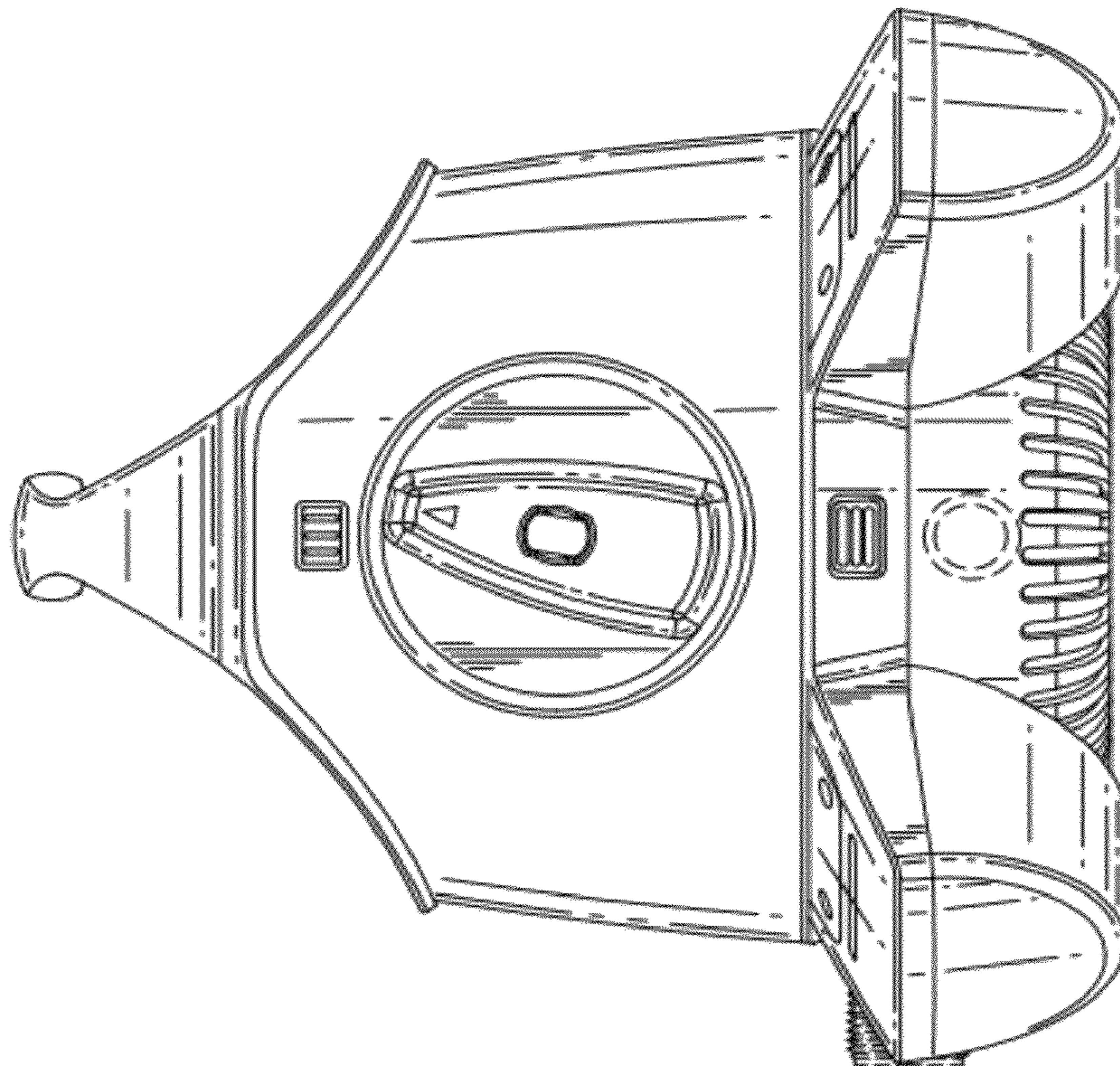


FIG. 5

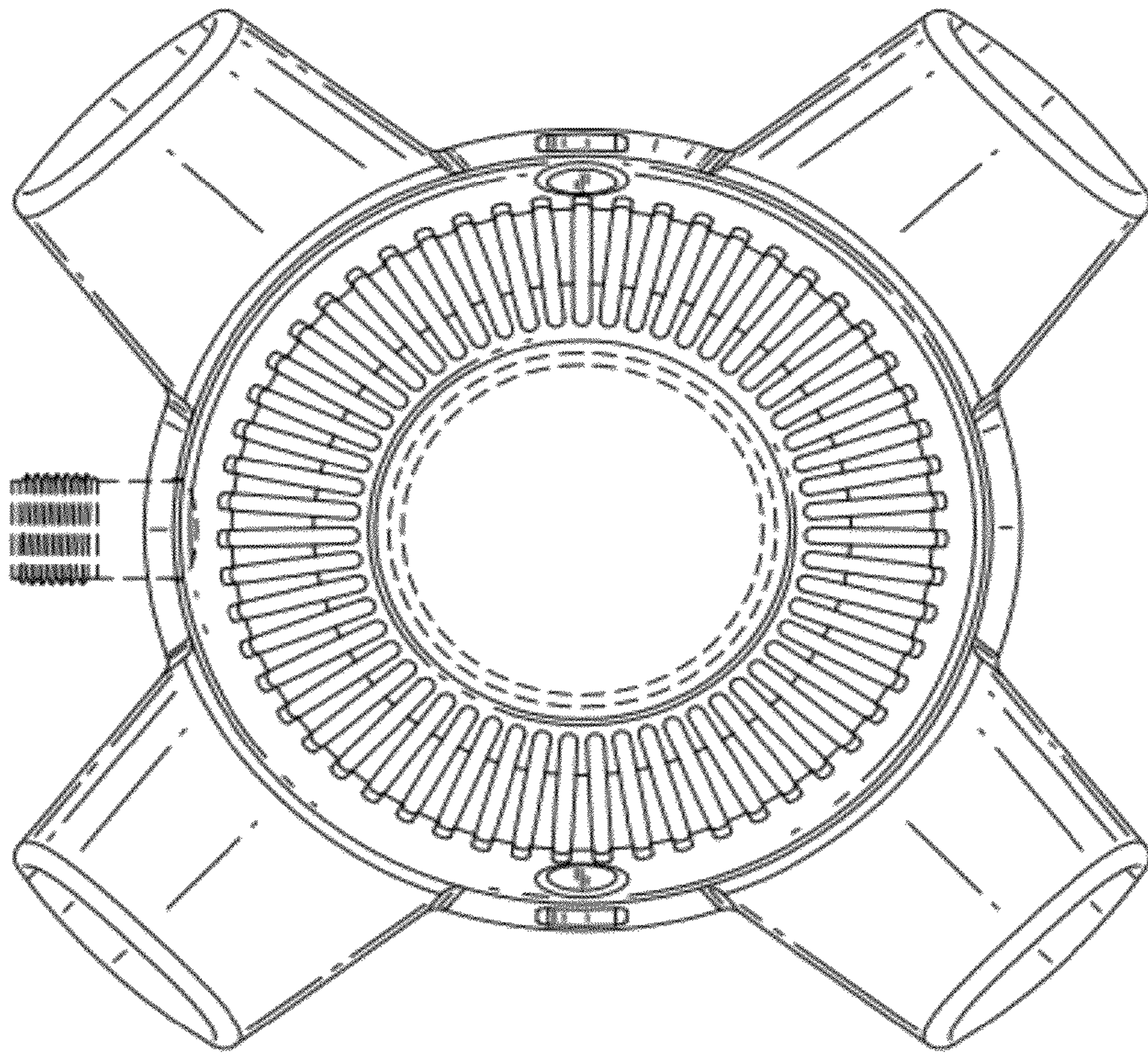


FIG. 8

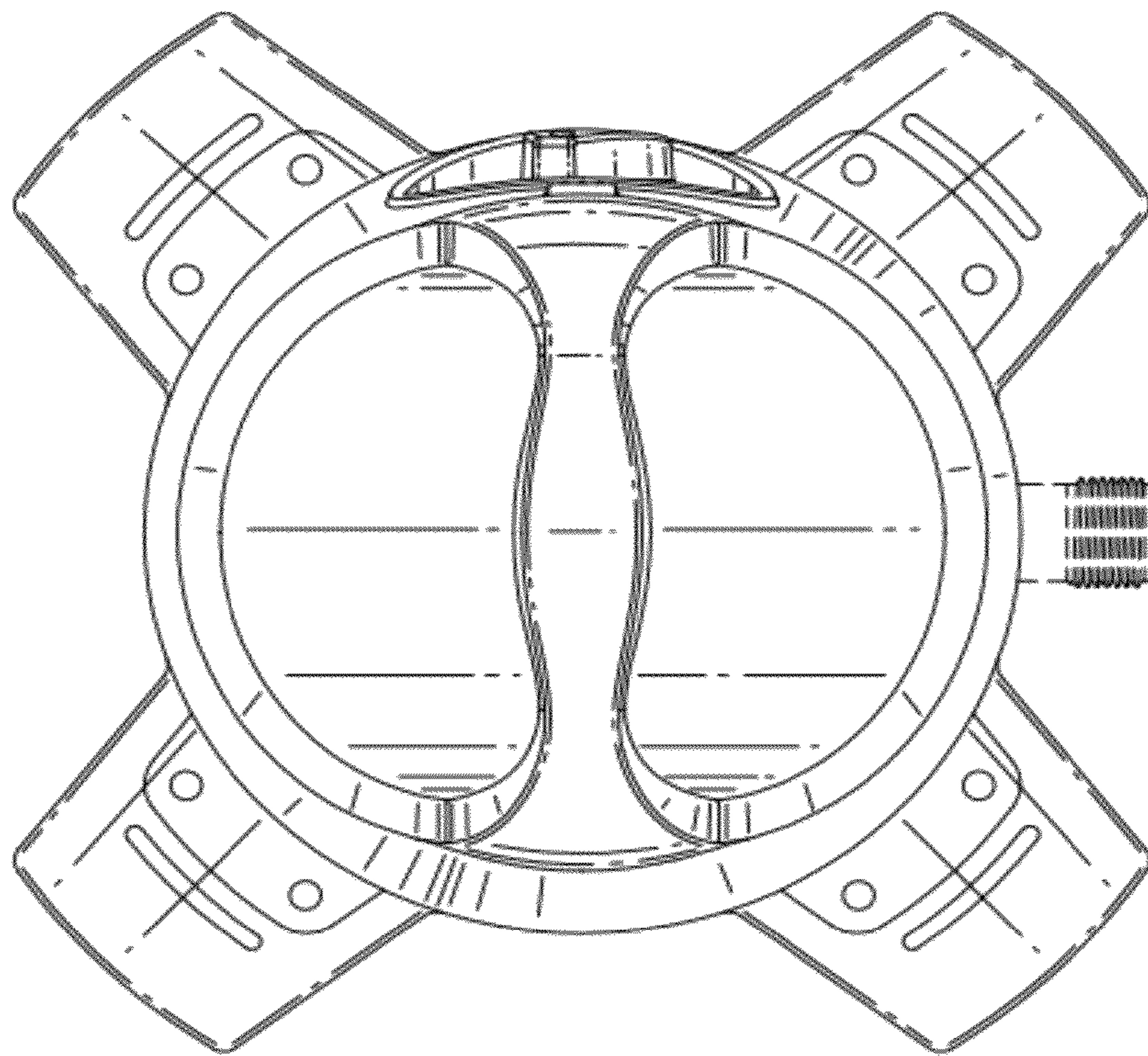


FIG. 7