



US00D667465S

(12) **United States Design Patent**
Headley et al.

(10) **Patent No.:** **US D667,465 S**
(45) **Date of Patent:** **** Sep. 18, 2012**

(54) **DOUBLE DIAPHRAGM PUMP ASSEMBLY**

(75) Inventors: **Thomas R. Headley**, Roanoke, IN (US);
Benjamin R. Freiburger, Fort Wayne,
IN (US)

(73) Assignee: **Tuthill Corporation**, Fort Wayne, IN
(US)

(**) Term: **14 Years**

(21) Appl. No.: **29/402,528**

(22) Filed: **Sep. 23, 2011**

(51) **LOC (9) Cl.** **15-02**

(52) **U.S. Cl.** **D15/7**

(58) **Field of Classification Search** D15/7-9;
D23/231, 232; 417/410.1, 359, 415-416,
417/234, 321, 265, 405, 521
See application file for complete search history.

(56) **References Cited**

U.S. PATENT DOCUMENTS

D268,413	S	*	3/1983	Wilden	D15/7
D294,946	S	*	3/1988	Wilden	D15/7
D294,947	S	*	3/1988	Wilden	D15/7
5,108,270	A		4/1992	Kozumplik, Jr.		
D331,412	S	*	12/1992	Wilden	D15/7
5,368,452	A		11/1994	Johnson et al.		
5,527,160	A		6/1996	Kozumplik, Jr. et al.		
D380,218	S	*	6/1997	McKee et al.	D15/7
D388,796	S	*	1/1998	Conti et al.	D15/7

D388,797	S	*	1/1998	Conti et al.	D15/7
D400,210	S	*	10/1998	Reynolds et al.	D15/7
D435,855	S	*	1/2001	Donelson et al.	D15/7
D484,145	S	*	12/2003	Roberts et al.	D15/7
6,901,961	B2		6/2005	Roberts et al.		
D515,101	S	*	2/2006	Wiechers et al.	D15/7
7,063,517	B2		6/2006	Towne et al.		
2010/0043895	A1		2/2010	Towne		

* cited by examiner

Primary Examiner — Ralf Seifert

(74) *Attorney, Agent, or Firm* — Barnes & Thornburg LLP

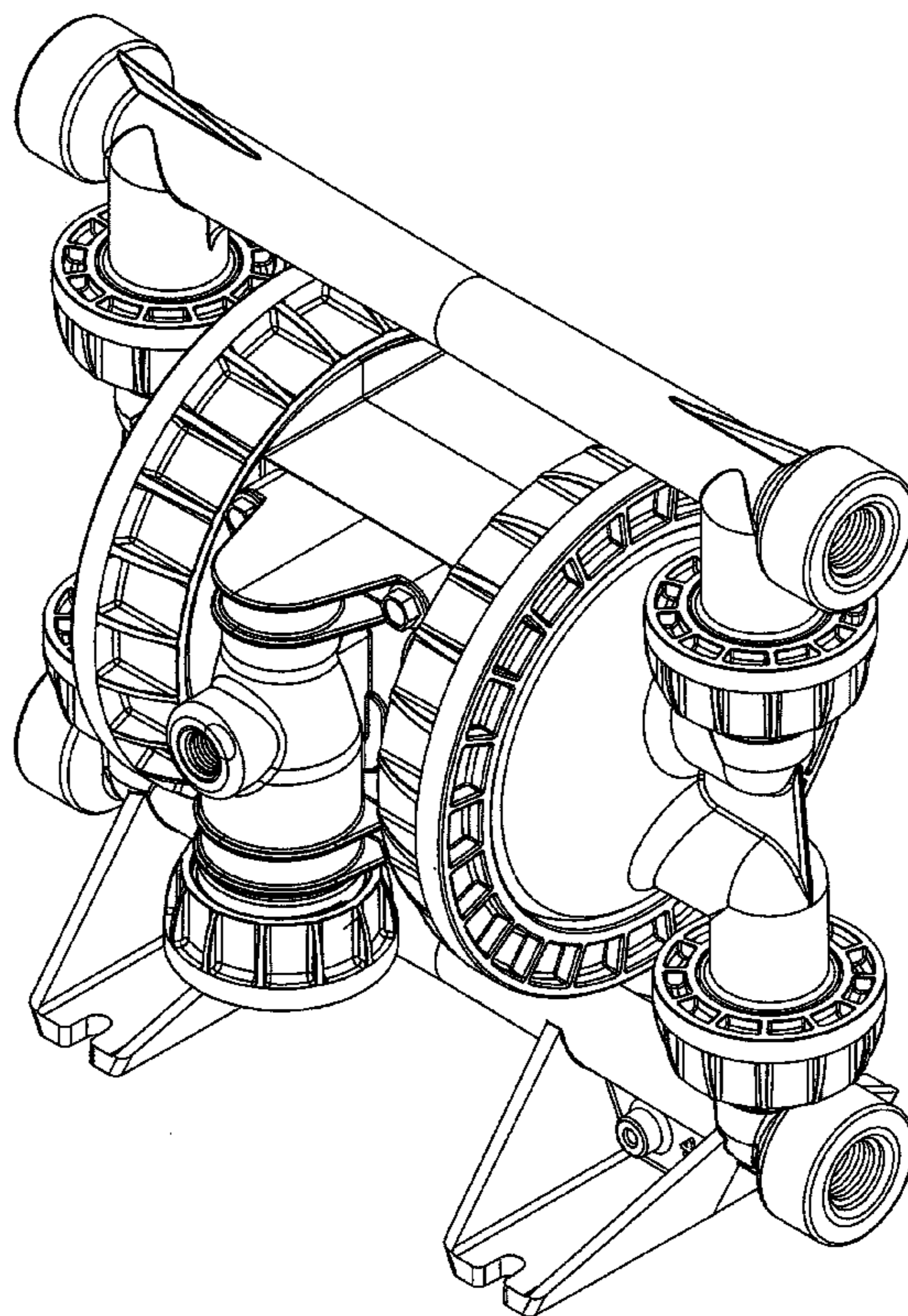
(57) **CLAIM**

The ornamental design of double diaphragm pump assembly, as shown and described.

DESCRIPTION

FIG. 1 is a perspective view of an illustrative embodiment of a double diaphragm pump assembly;
FIG. 2 is a forward elevation view of the double diaphragm pump assembly of FIG. 1;
FIG. 3 is a rear view of the double diaphragm pump assembly of FIG. 1;
FIG. 4 is a top view of the double diaphragm pump assembly of FIG. 1;
FIG. 5 is a right side view of the double diaphragm pump assembly of FIG. 1;
FIG. 6 is a left hand side view of the double diaphragm pump assembly of FIG. 1; and,
FIG. 7 is an underside view of the double diaphragm pump assembly of FIG. 1.

1 Claim, 7 Drawing Sheets



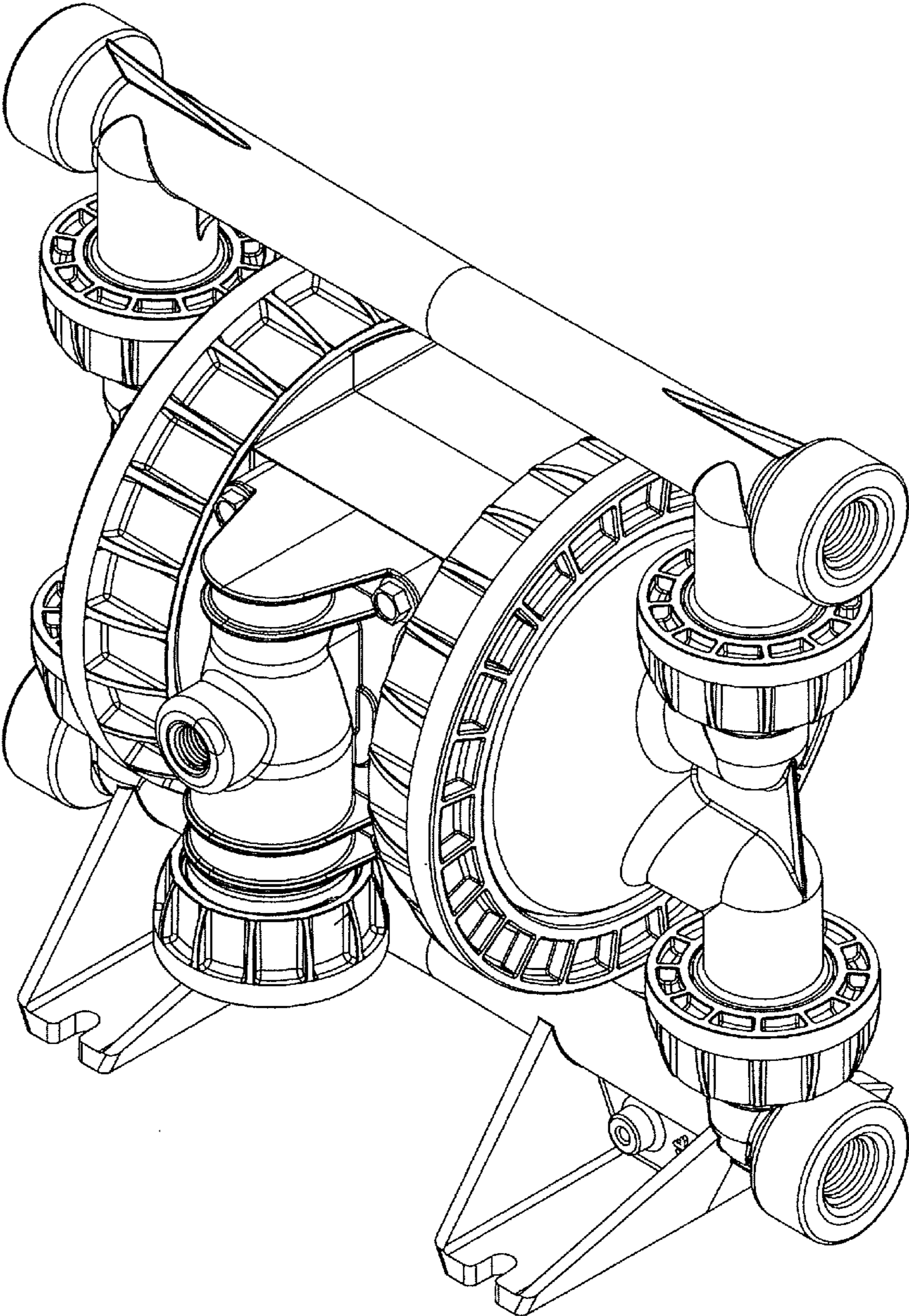


FIG. 1

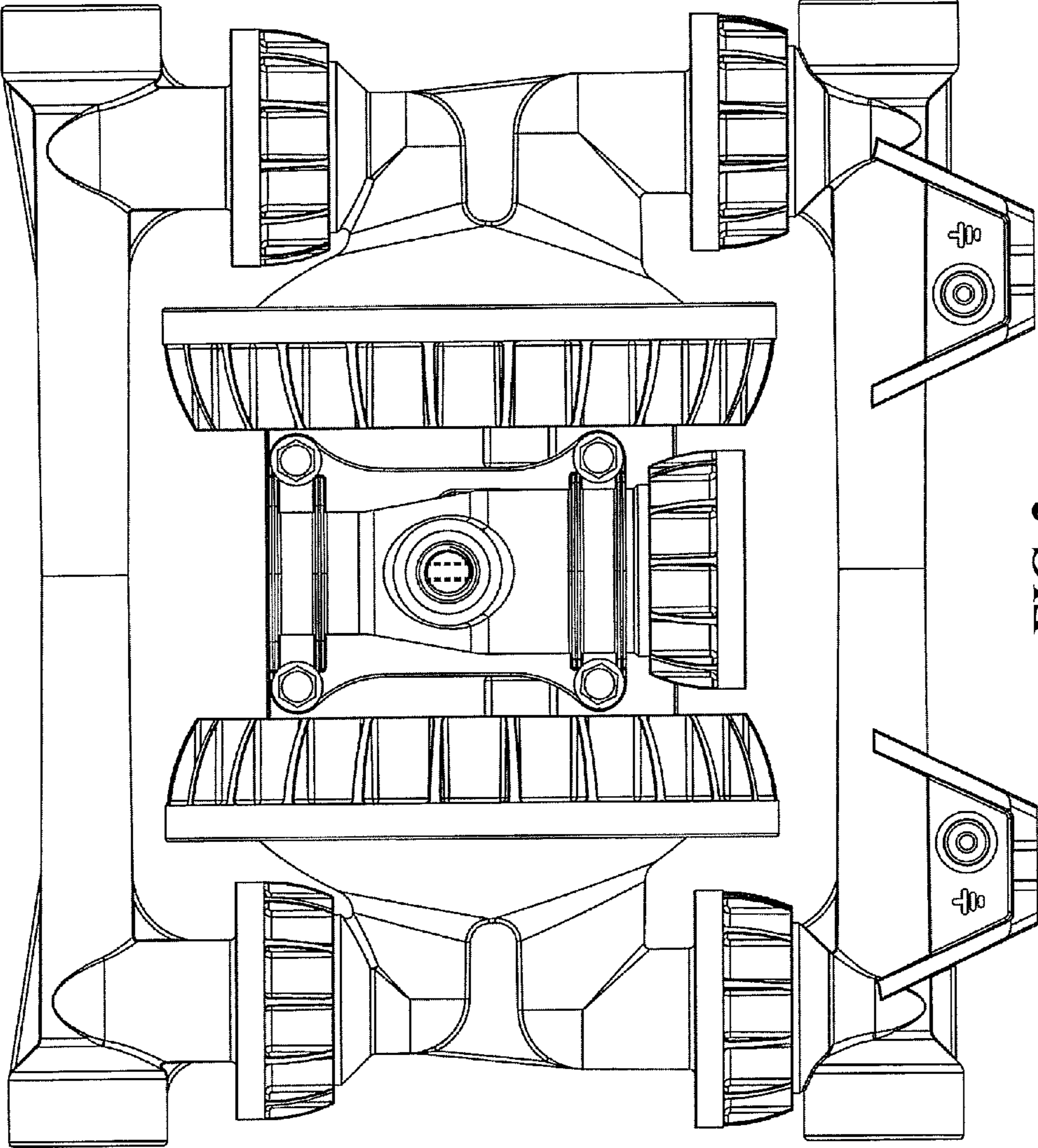


FIG. 2

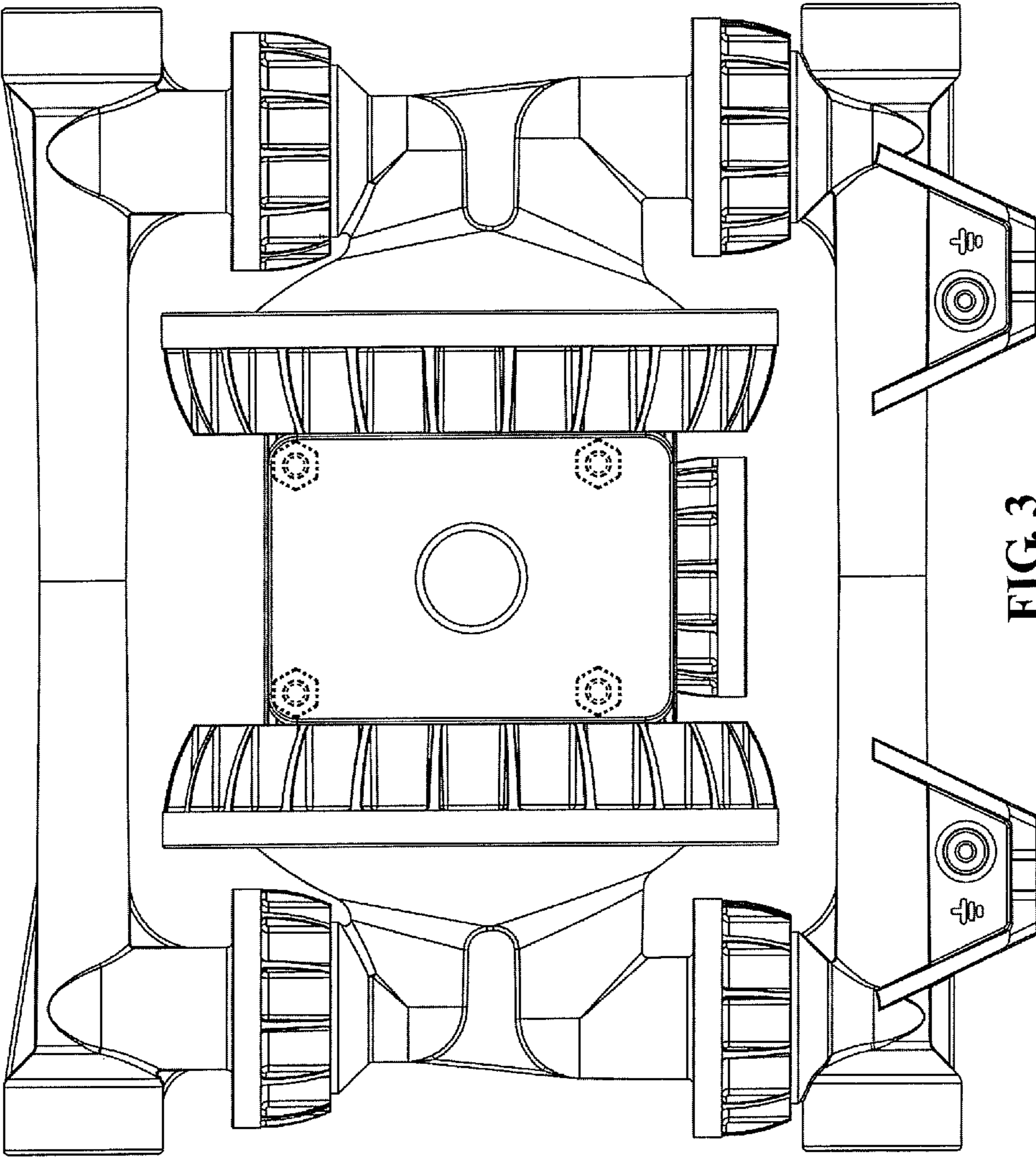


FIG. 3

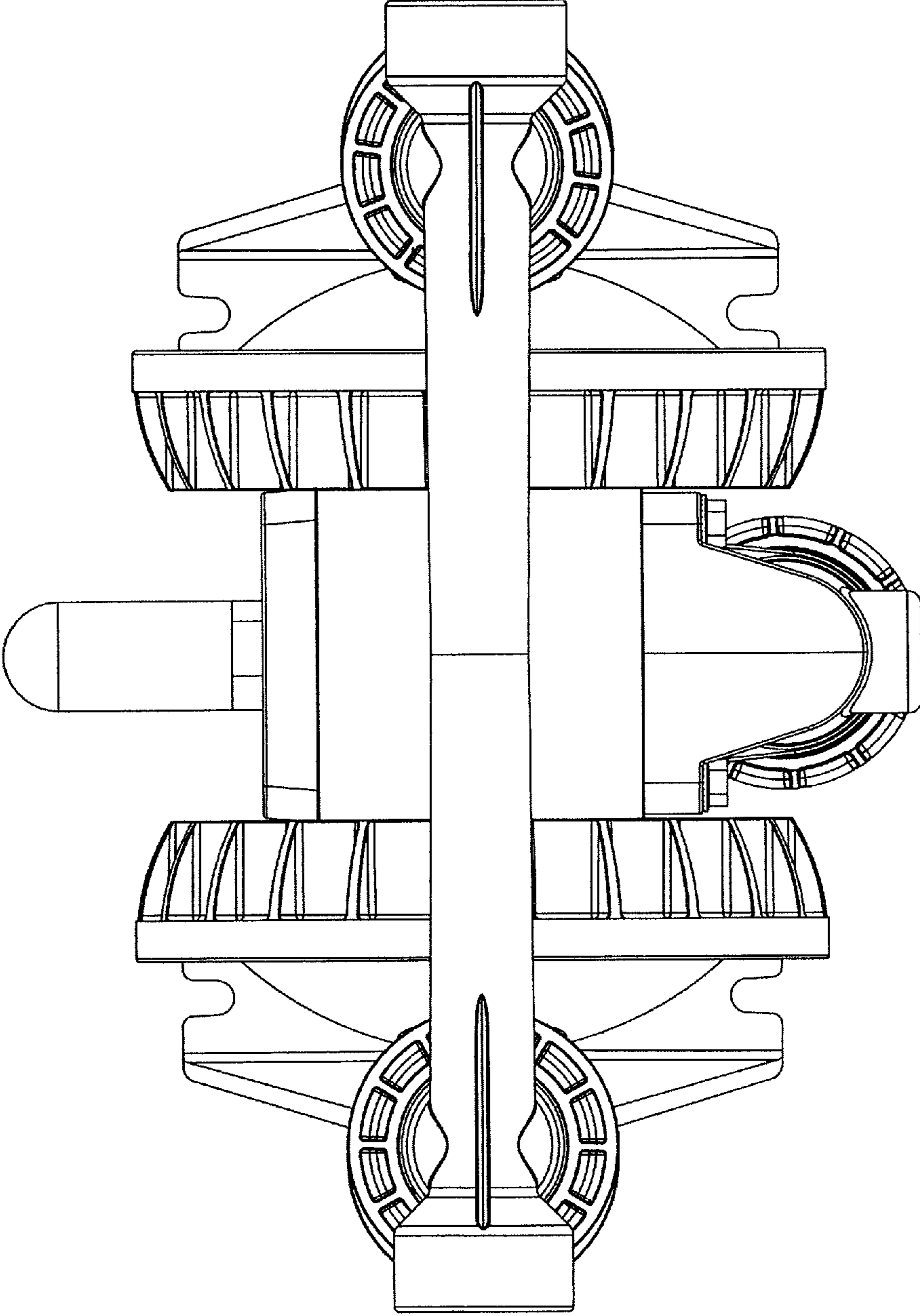


FIG. 4

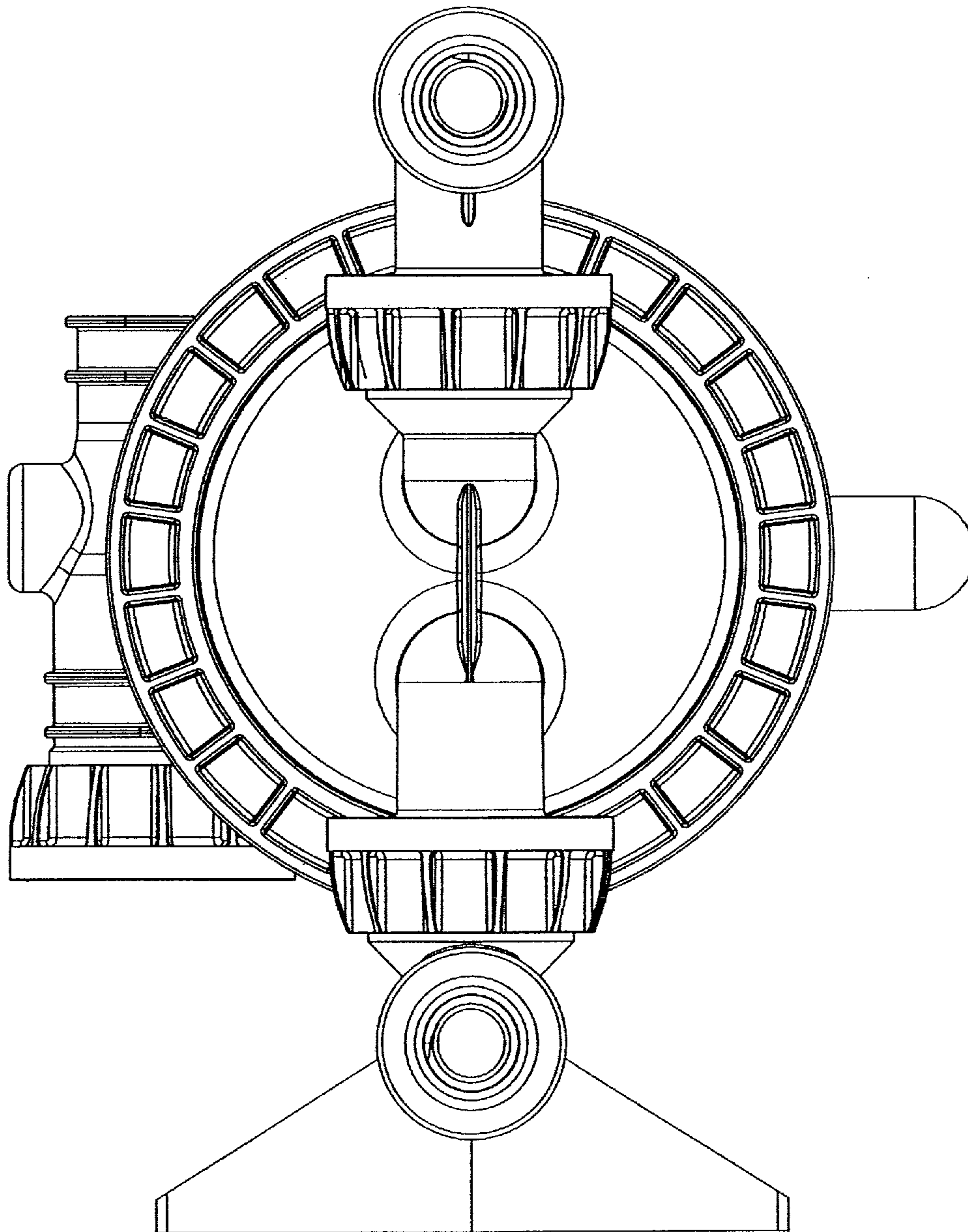


FIG. 5

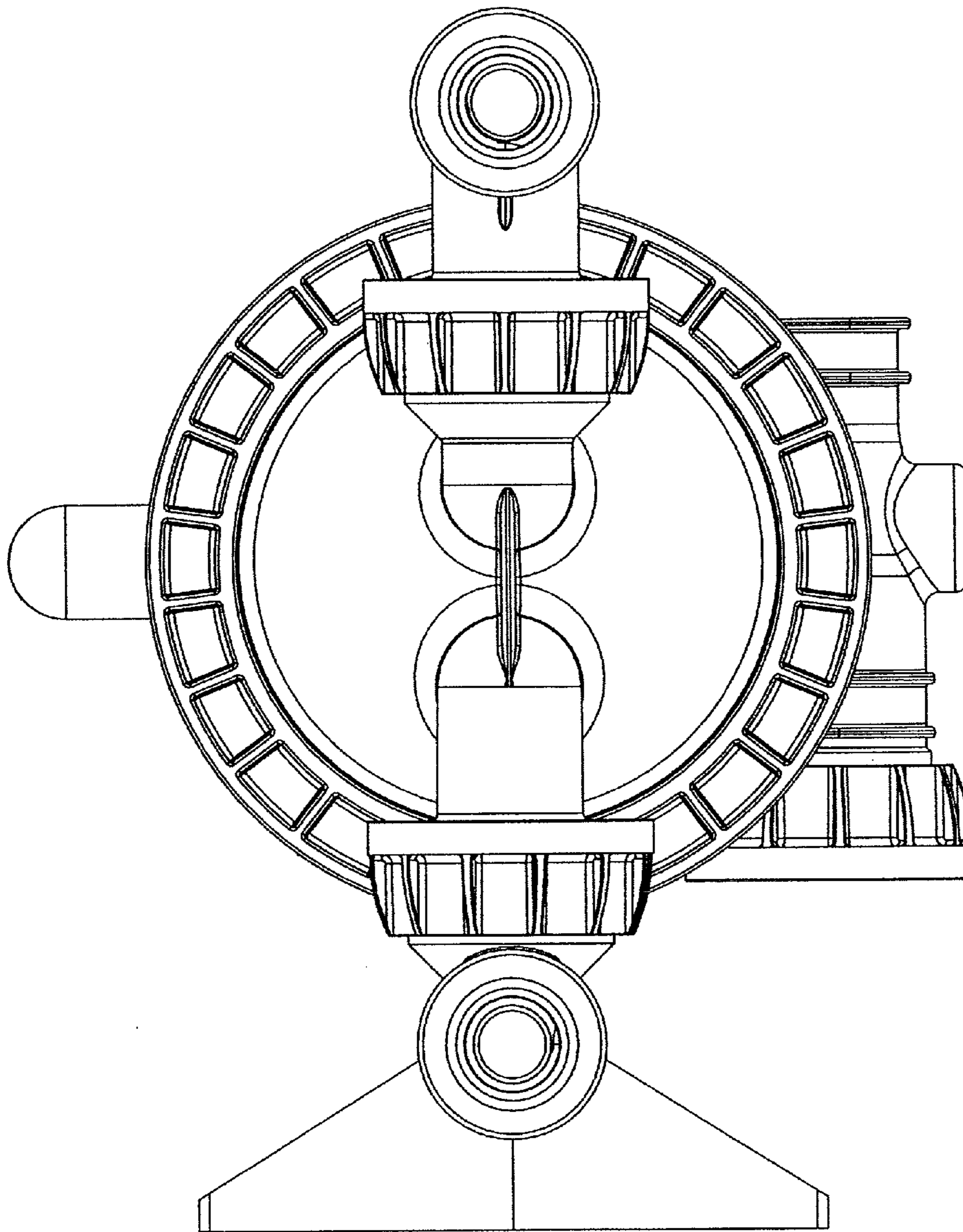


FIG. 6

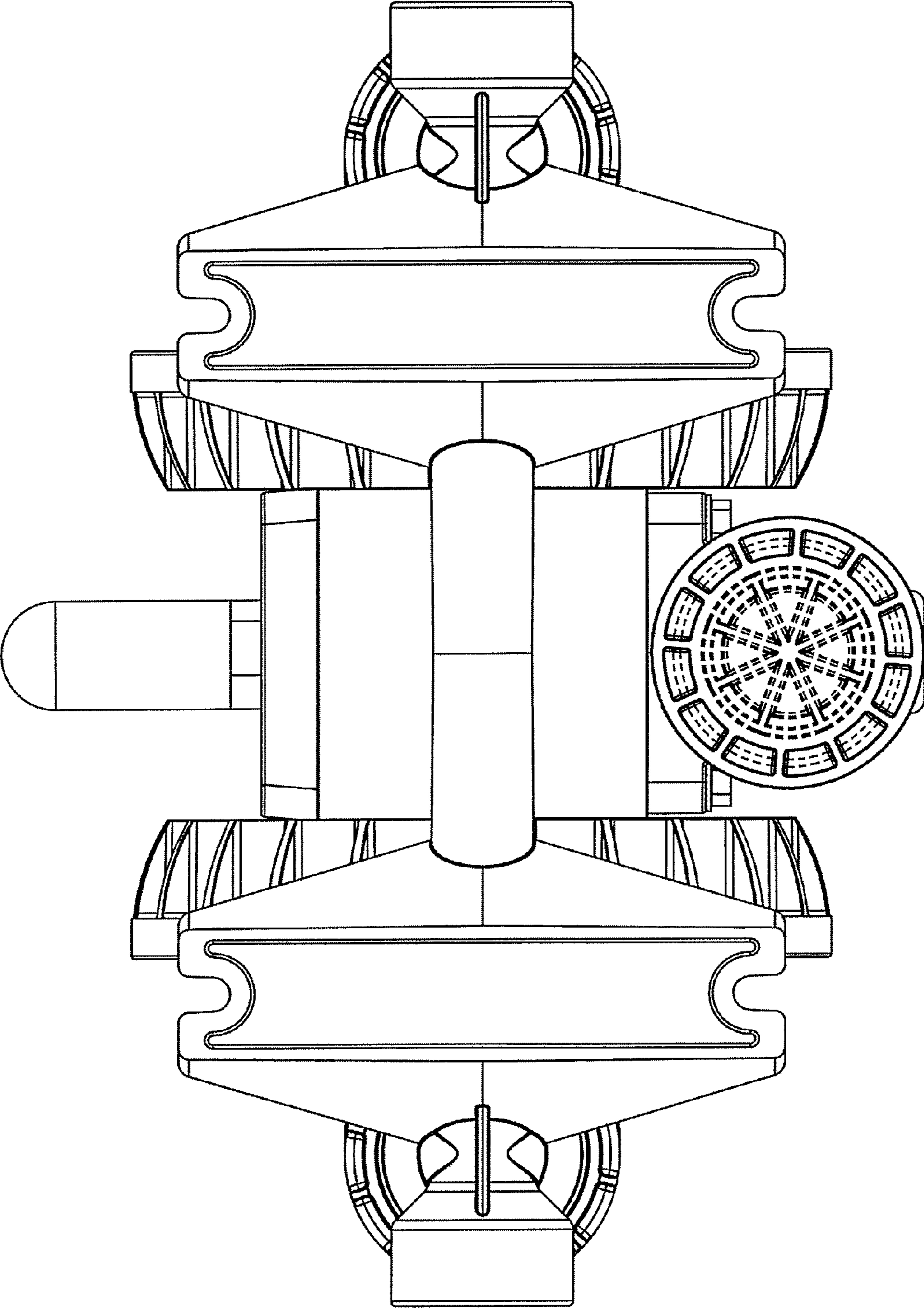


FIG. 7