

US00D667464S

(12) **United States Design Patent**
Tiefenthaler

(10) **Patent No.:** **US D667,464 S**
(45) **Date of Patent:** **** Sep. 18, 2012**

- (54) **COVER FOR AN ENGINE**
- (75) Inventor: **Carl T. Tiefenthaler**, Jackson, WI (US)
- (73) Assignee: **Briggs & Stratton Corporation**,
Wauwatosa, WI (US)
- (**) Term: **14 Years**
- (21) Appl. No.: **29/401,229**
- (22) Filed: **Sep. 8, 2011**

D598,471 S 8/2009 Wang et al.
 D628,596 S 12/2010 Azuma
 D647,536 S * 10/2011 Tiefenthaler D15/5

OTHER PUBLICATIONS

Professional Series 875 and 700 Series DOV engines, downloaded from website www.briggsandstratton.com/engines/push-mower on Jun. 14, 2011, 4 pages.
 Briggs & Stratton 700 Series DOV engine, downloaded from website www.usinenouvelle.com/industry/briggs-et-stratton-635/briggs-stratton-series-dov-p57879.html on Jun. 14, 2011, 3 pages.

* cited by examiner

Related U.S. Application Data

- (62) Division of application No. 29/387,394, filed on Mar. 11, 2011, now Pat. No. Des. 647,536.
- (51) **LOC (9) Cl.** **15-01**
- (52) **U.S. Cl.** **D15/5**
- (58) **Field of Classification Search** D15/1,
D15/2, 3, 5, 6, 14, 17, 149; 123/22, 41, 51 A,
123/34, 606 R, 52.1, 50 A, 50 B, 54.1, 54.2,
123/54.4, 54.5, 65 R, 195 R, 195 HC, 657,
123/311

See application file for complete search history.

Primary Examiner — T. Chase Nelson

Assistant Examiner — Ania Aman

(74) *Attorney, Agent, or Firm* — Foley & Lardner LLP

CLAIM

(57) I claim the ornamental design for a cover for an engine, as shown and described.

DESCRIPTION

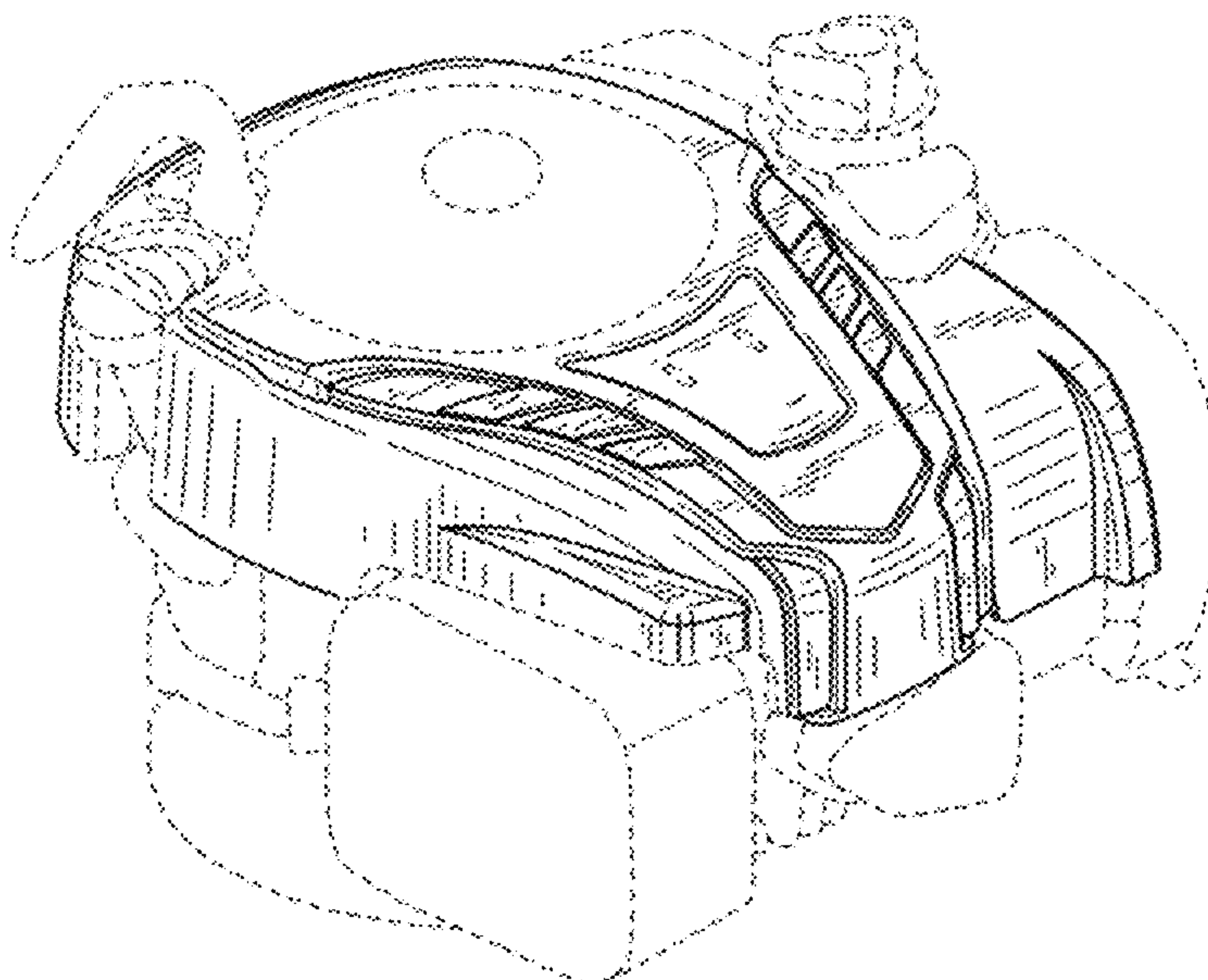
FIG. 1 is a front perspective view from above of the claimed design;
 FIG. 2 is a rear perspective view from above of the claimed design of FIG. 1;
 FIG. 3 is a top view of the claimed design of FIG. 1;
 FIG. 4 is a front view of the claimed design of FIG. 1;
 FIG. 5 is a left side view of the claimed design of FIG. 1;
 FIG. 6 is a right side view of the claimed design of FIG. 1; and,
 FIG. 7 is a rear side view of the claimed design of FIG. 1.
 The broken lines in the drawings are for illustrative purposes only and depict environmental structure that forms no part of the claimed design.

References Cited

U.S. PATENT DOCUMENTS

- D471,207 S 3/2003 Kern et al.
- D513,012 S 12/2005 Strandell et al.
- D513,754 S 1/2006 Strandell et al.
- D525,991 S 8/2006 Walters
- D527,022 S * 8/2006 Walters D15/5
- D527,741 S * 9/2006 Vervoorn D15/5
- D548,750 S * 8/2007 Neeley et al. D15/5
- D553,645 S 10/2007 Drew et al.
- D572,271 S 7/2008 Maeda
- D576,178 S 9/2008 Neeley
- D583,831 S 12/2008 Post et al.
- D594,476 S 6/2009 Mayer et al.
- D594,878 S 6/2009 Post et al.

1 Claim, 7 Drawing Sheets



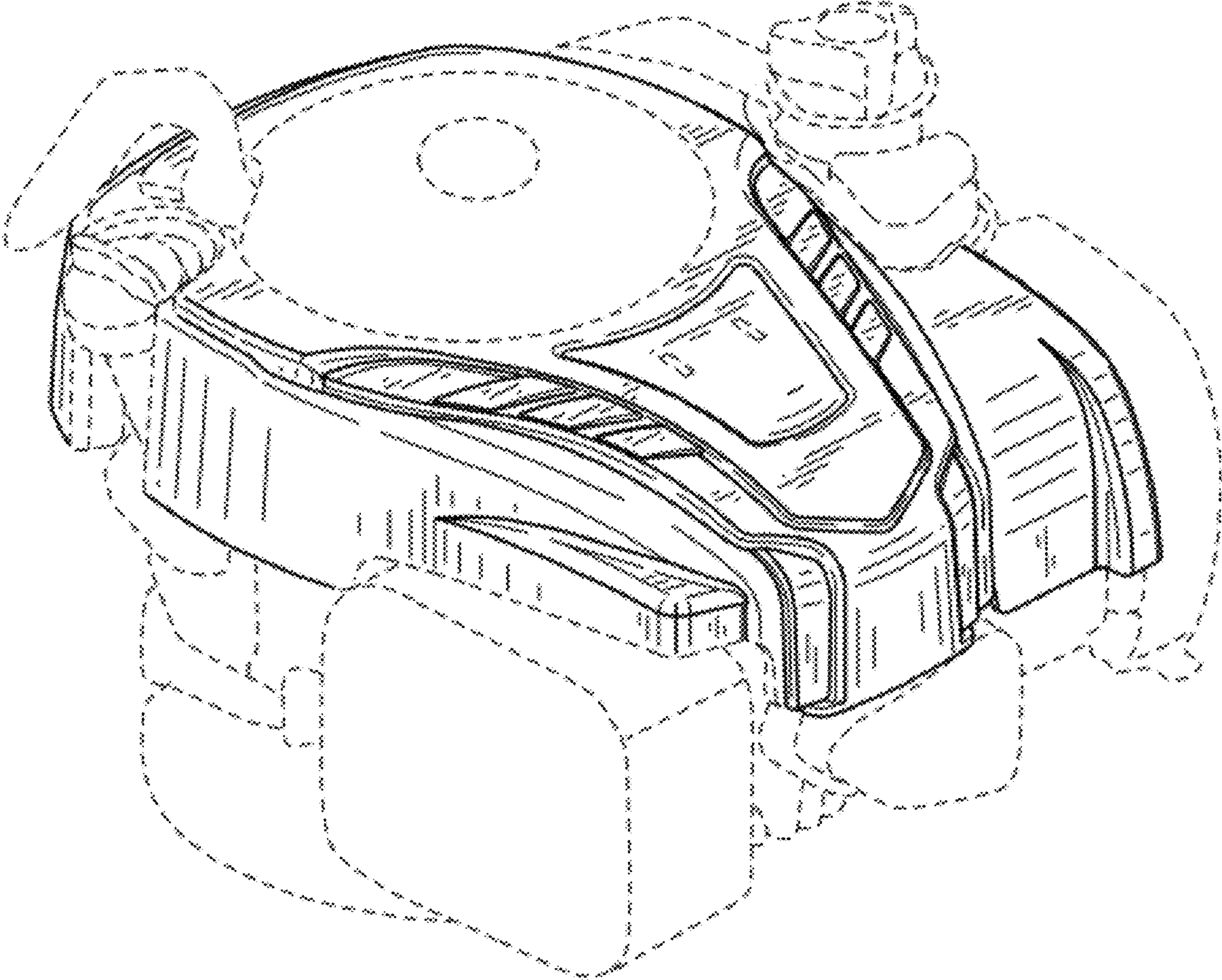


FIG. 1

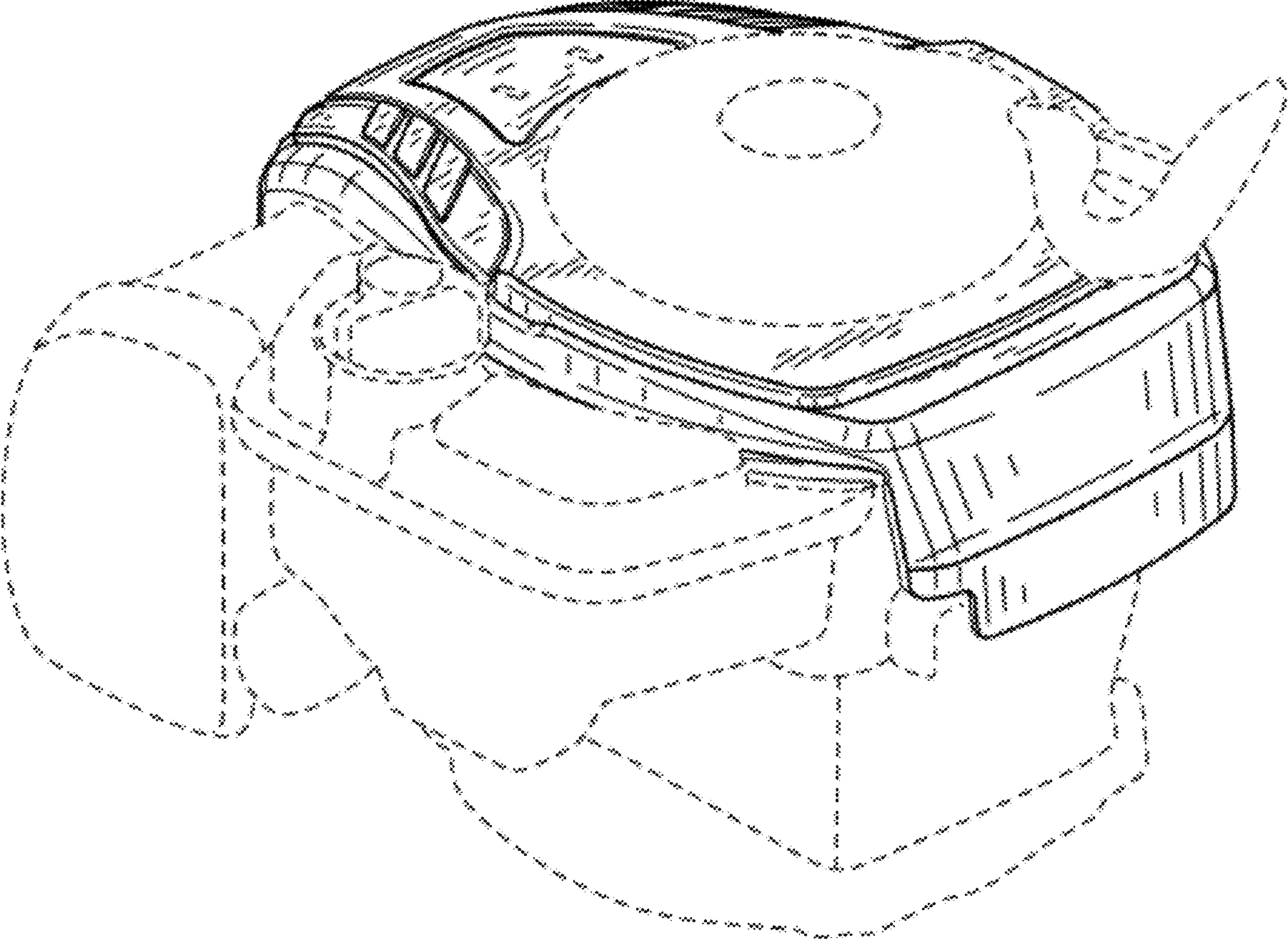


FIG. 2

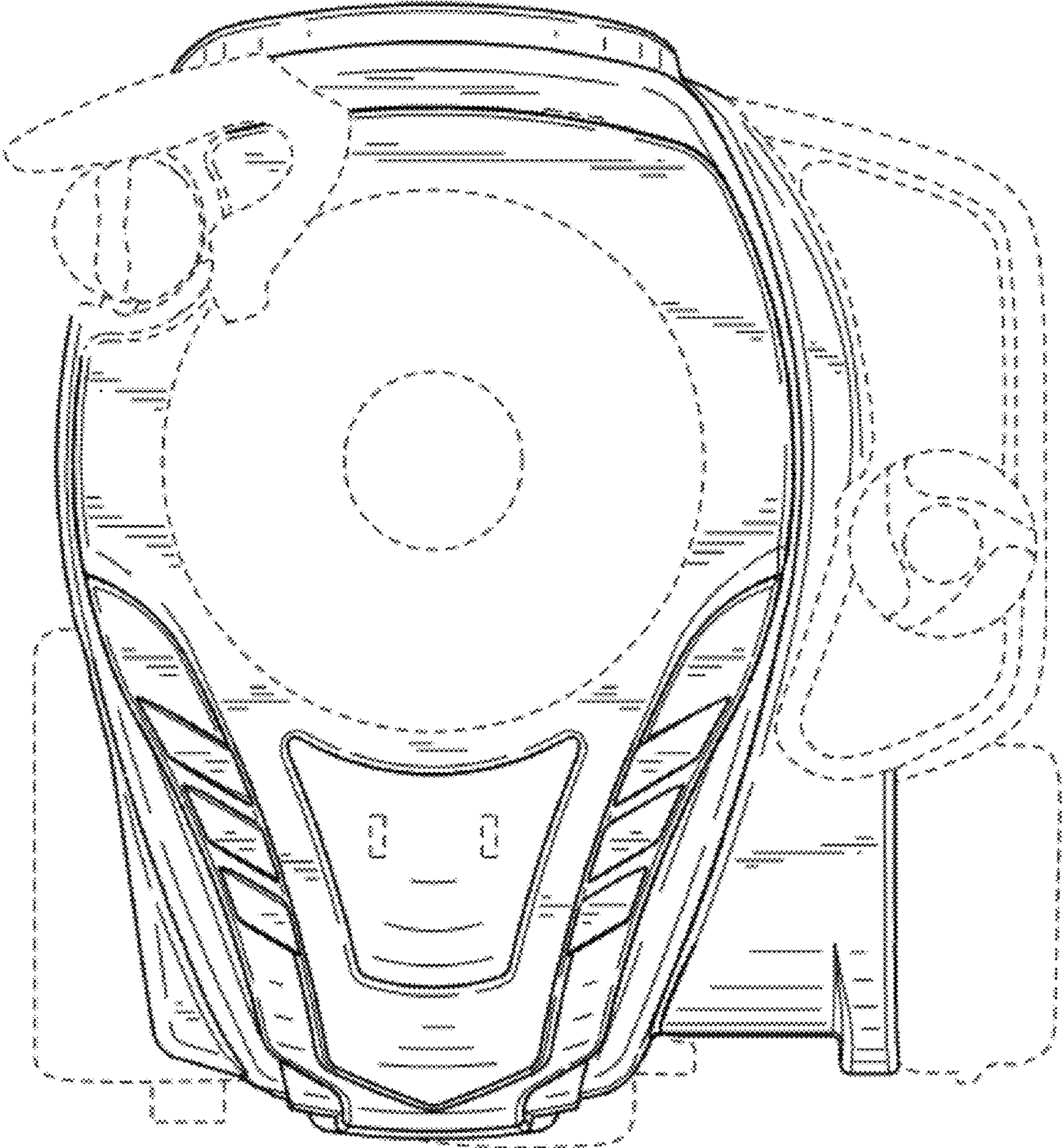


FIG. 3

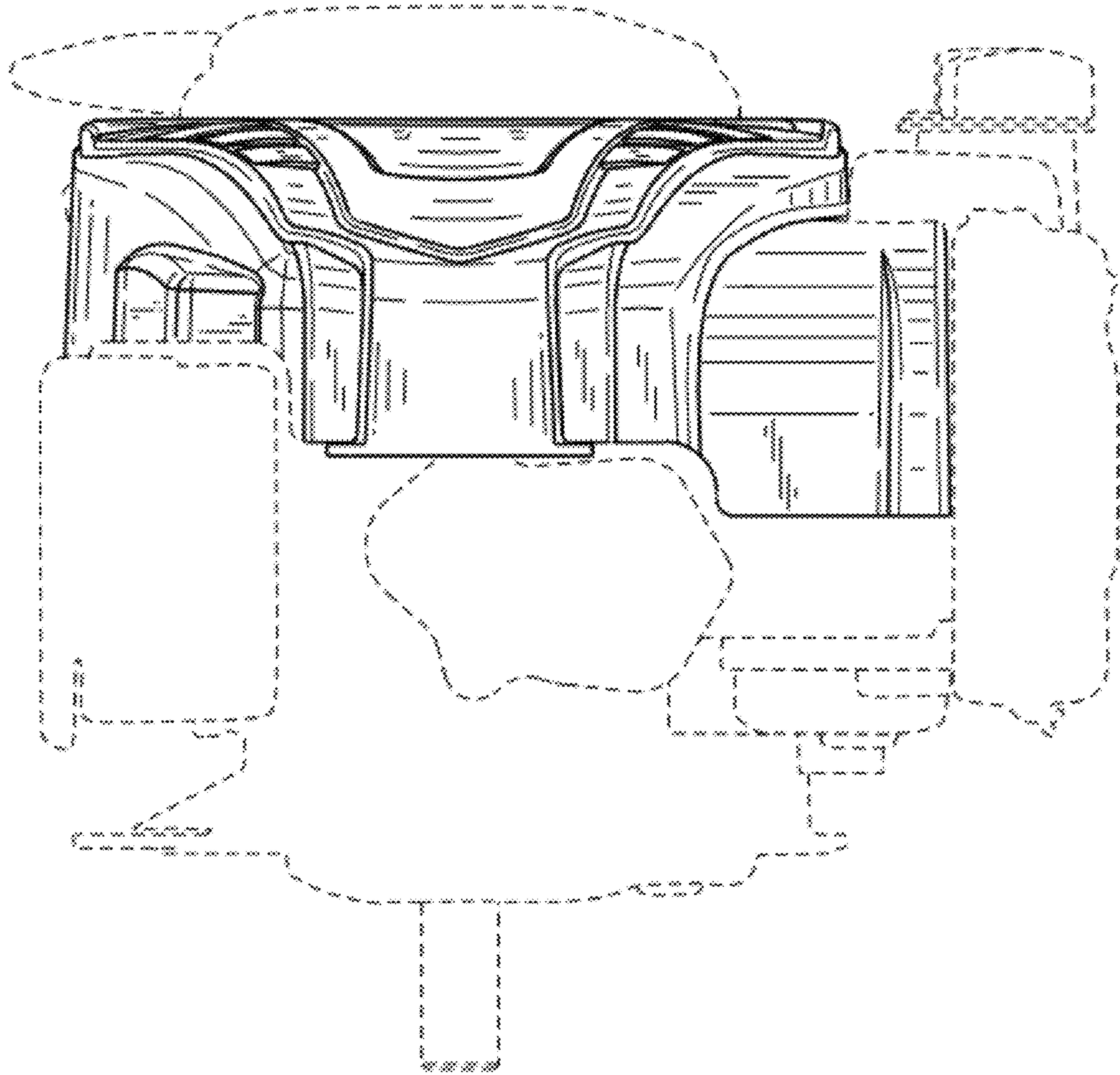


FIG. 4

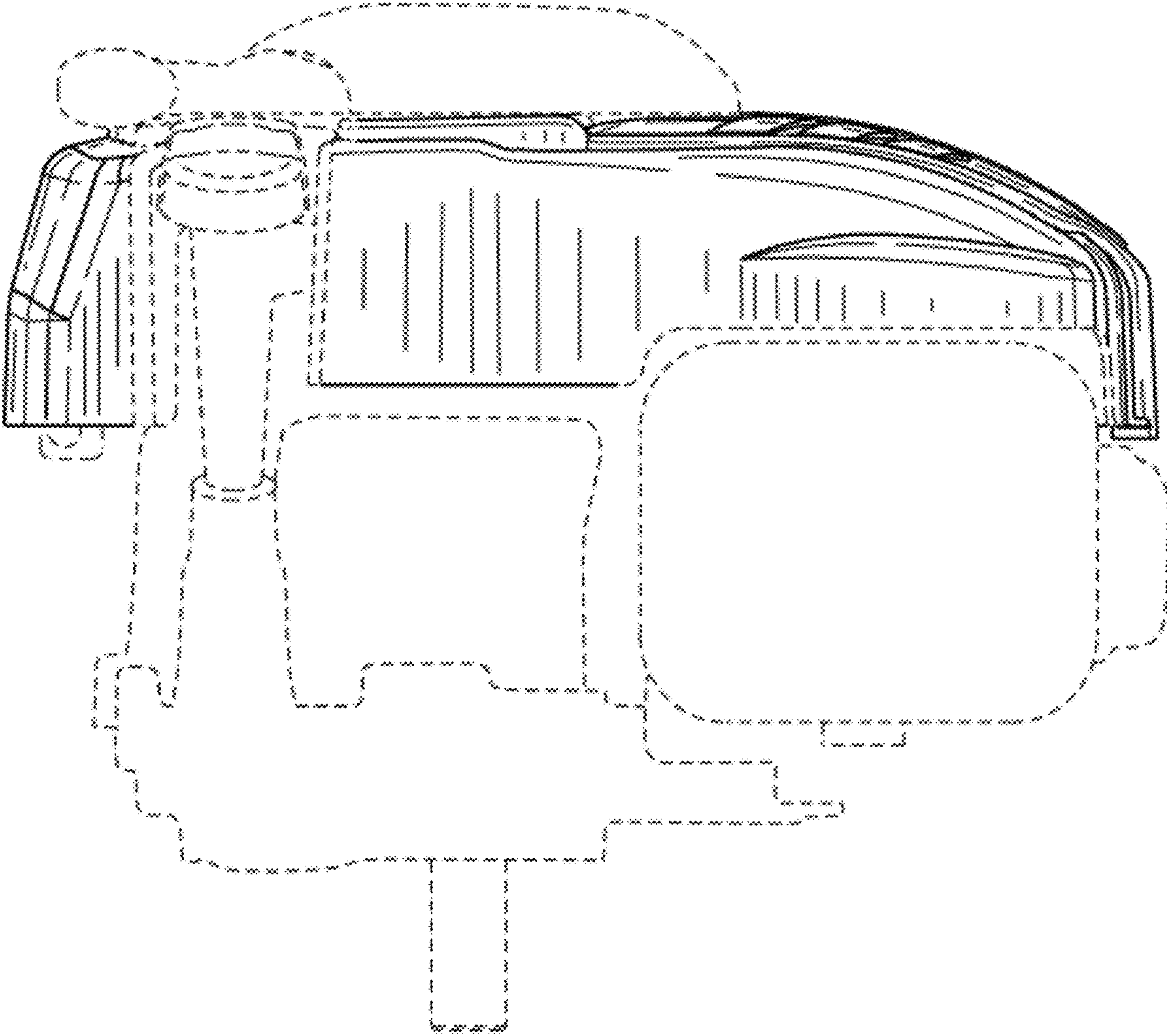


FIG. 5

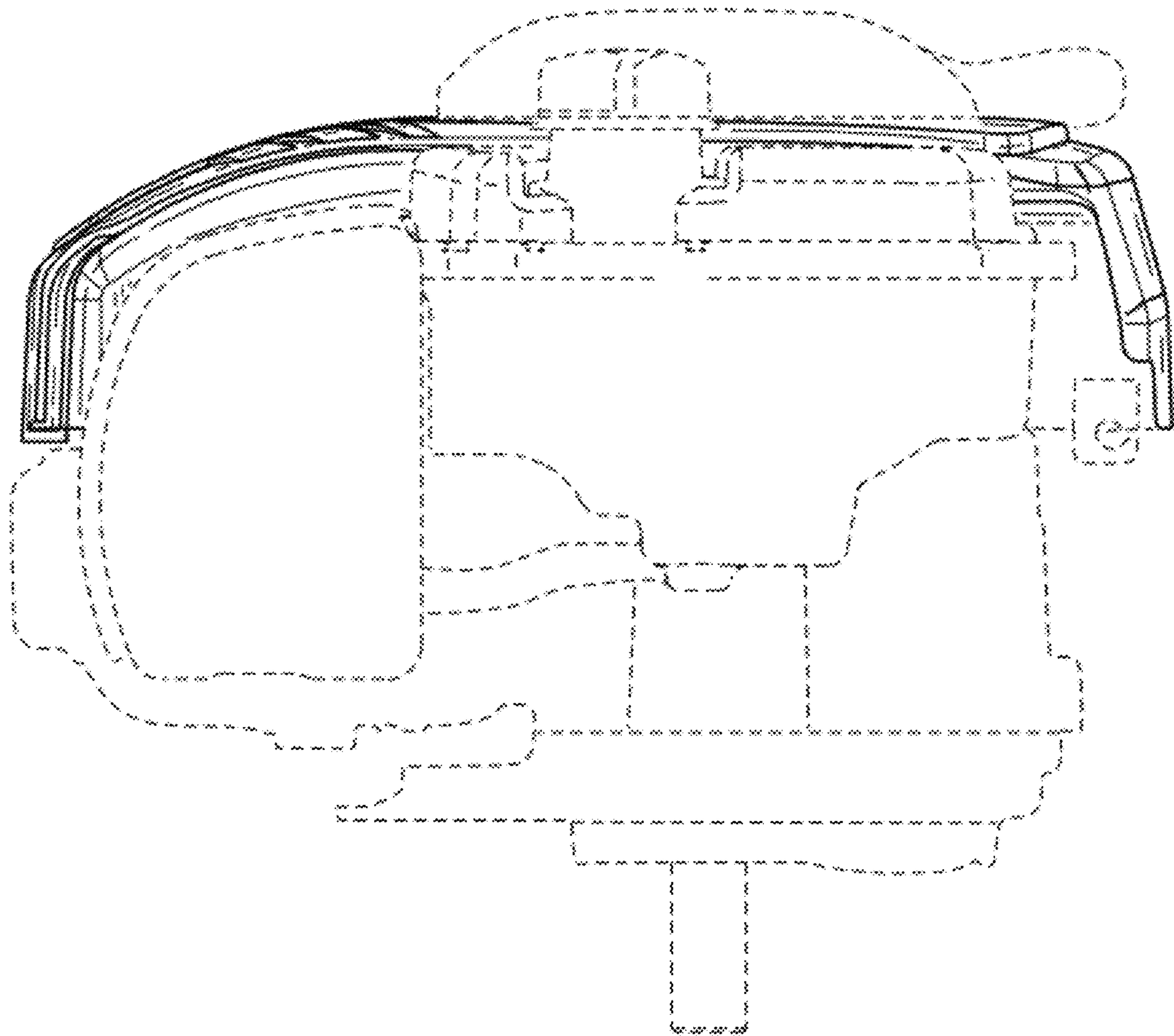


FIG. 6

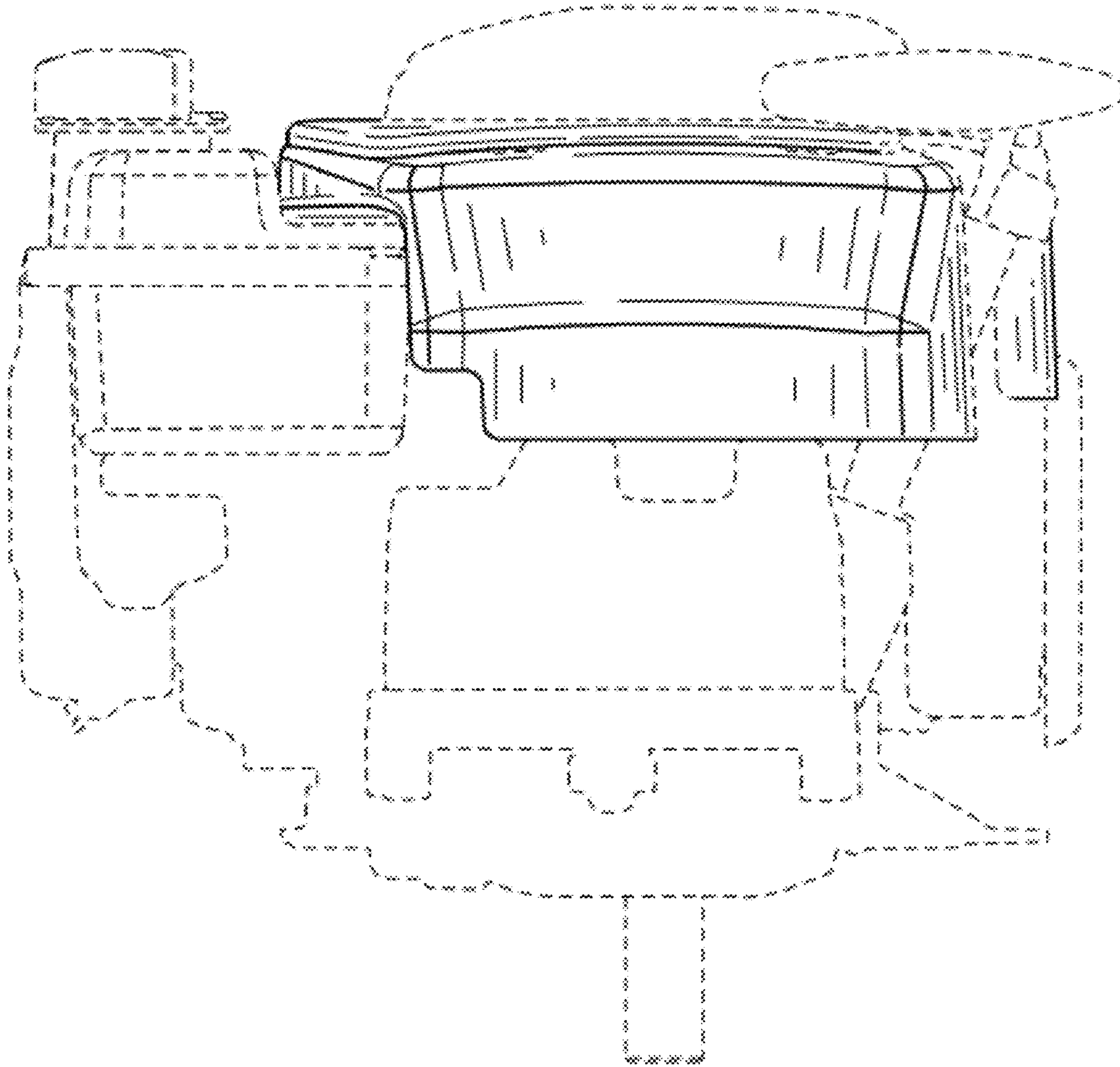


FIG. 7