



US00D667463S

(12) **United States Design Patent**
Tiefenthaler

(10) **Patent No.:** **US D667,463 S**

(45) **Date of Patent:** **** Sep. 18, 2012**

(54) **MUFFLER GUARD**

(75) Inventor: **Carl T. Tiefenthaler**, Jackson, WI (US)

(73) Assignee: **Briggs & Stratton Corporation**,
Wauwatosa, WI (US)

(**) Term: **14 Years**

(21) Appl. No.: **29/387,398**

(22) Filed: **Mar. 11, 2011**

(51) **LOC (9) Cl.** **15-01**

(52) **U.S. Cl.** **D15/5**

(58) **Field of Classification Search** D15/143,
D15/5, 1, 2, 3, 4, 6; D23/233; D13/147;
251/129.01, 129.15

See application file for complete search history.

(56) **References Cited**

U.S. PATENT DOCUMENTS

D367,070 S *	2/1996	Maeda et al.	D15/1
D583,831 S *	12/2008	Post et al.	D15/5
D595,737 S *	7/2009	Neeley et al.	D15/1
D628,596 S *	12/2010	Azuma	D15/1

OTHER PUBLICATIONS

Professional Series 875 and 700 Series DOV engines, downloaded from website www.briggsandstratton.com/engines/push-mower on Jun. 14, 2011, 4 pages.

Briggs & Stratton 700 Series DOV engine, downloaded from website www.usinenouvelle.com/industry/briggs-et-stratton-635/briggs-stratton-series-dov-p57879.html on Jun. 14, 2011, 3 pages.

* cited by examiner

Primary Examiner — T. Chase Nelson

Assistant Examiner — Ania Aman

(74) *Attorney, Agent, or Firm* — Foley & Lardner LLP

(57) **CLAIM**

I claim the ornamental design for a muffler guard, as shown and described.

DESCRIPTION

FIG. 1 is a front perspective view from above of a muffler guard showing my new design;

FIG. 2 is a front view of the claimed design of FIG. 1;

FIG. 3 is a right side view of the claimed design of FIG. 1;

FIG. 4 is a rear view of the claimed design of FIG. 1;

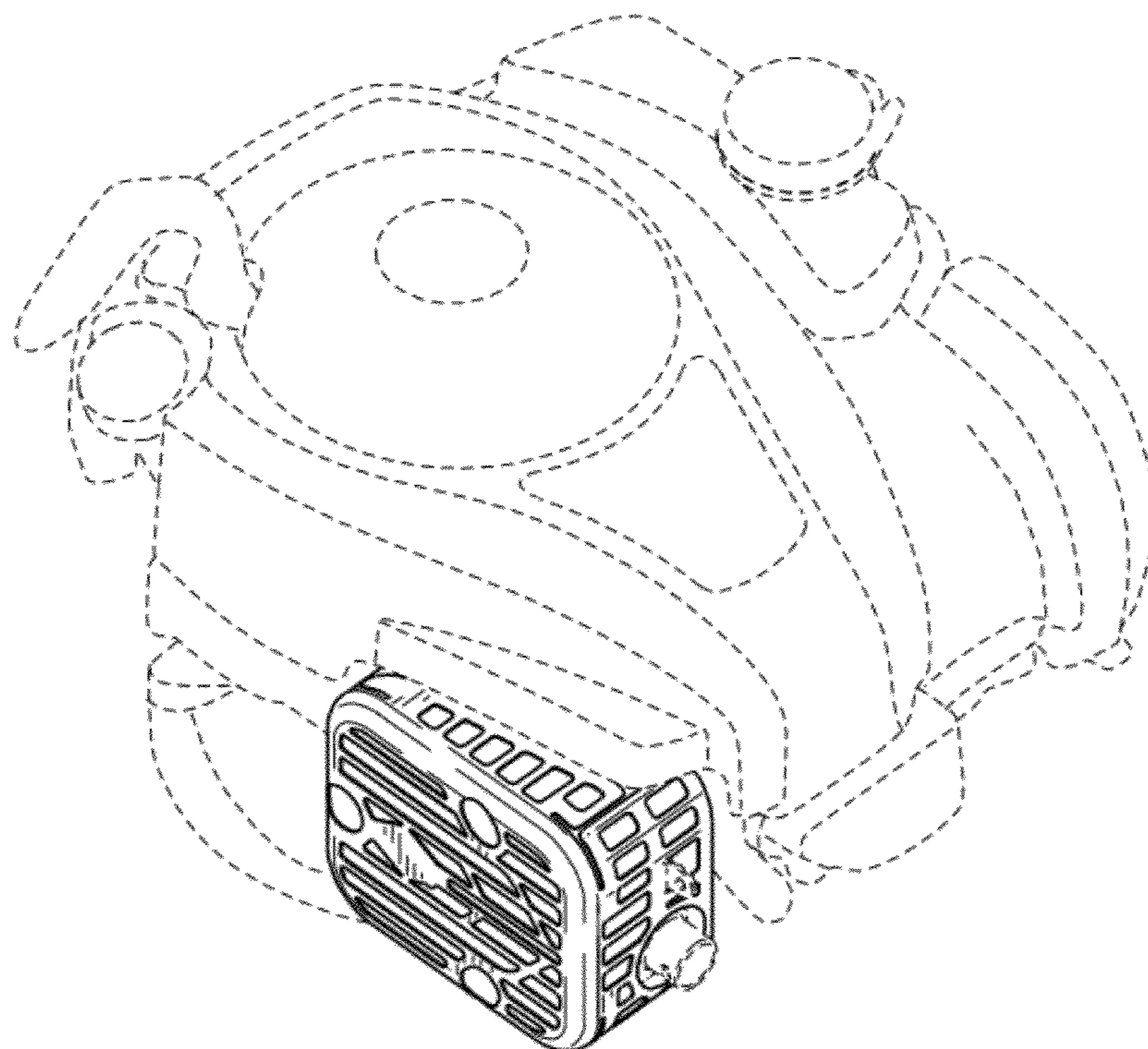
FIG. 5 is a left side view of the claimed design of FIG. 1;

FIG. 6 is a top view of the claimed design of FIG. 1; and,

FIG. 7 is a bottom side view of the claimed design of FIG. 1.

The broken lines in the drawings are for illustrative purposes only and form no part of the claimed design.

1 Claim, 7 Drawing Sheets



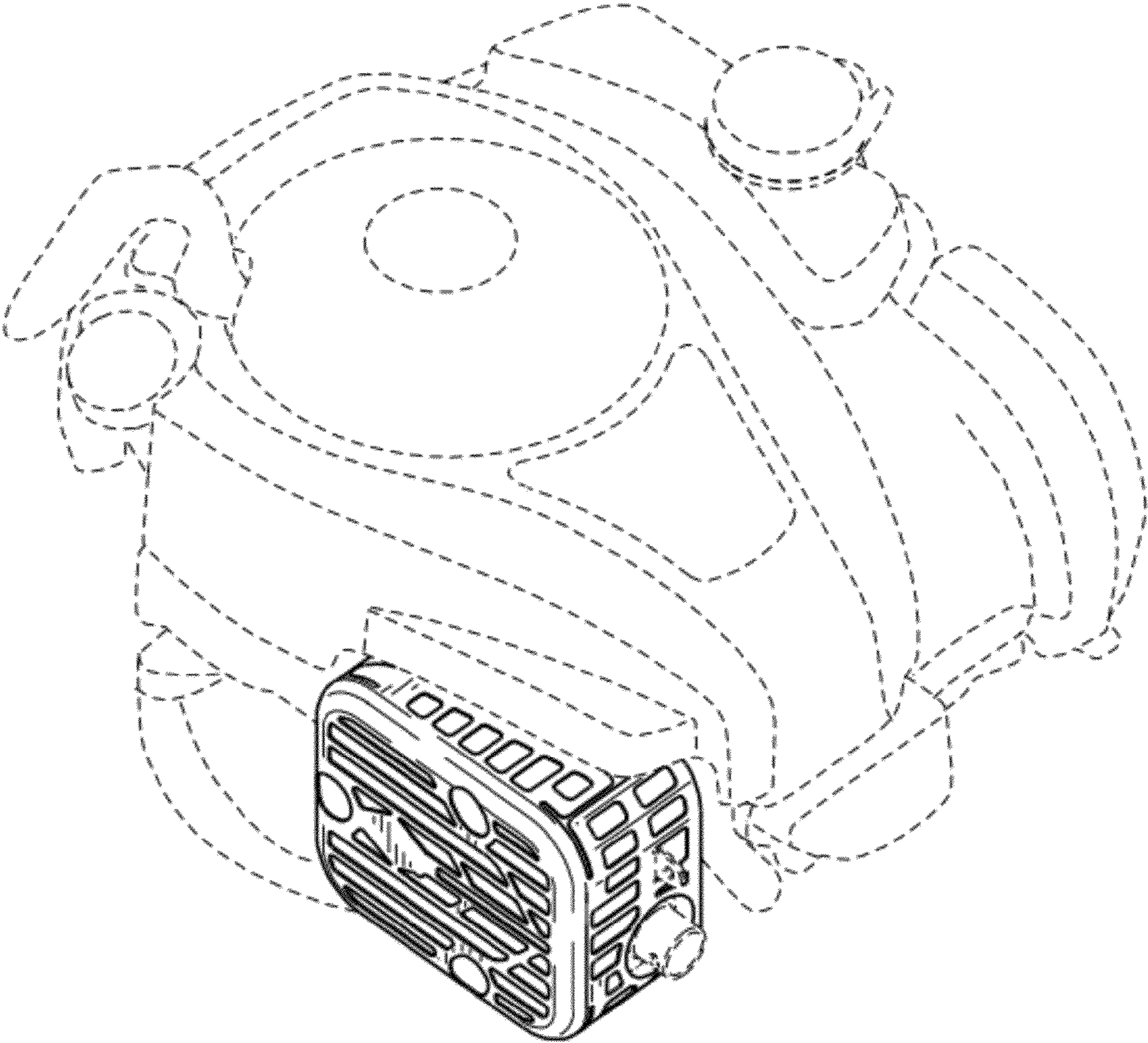


FIG. 1

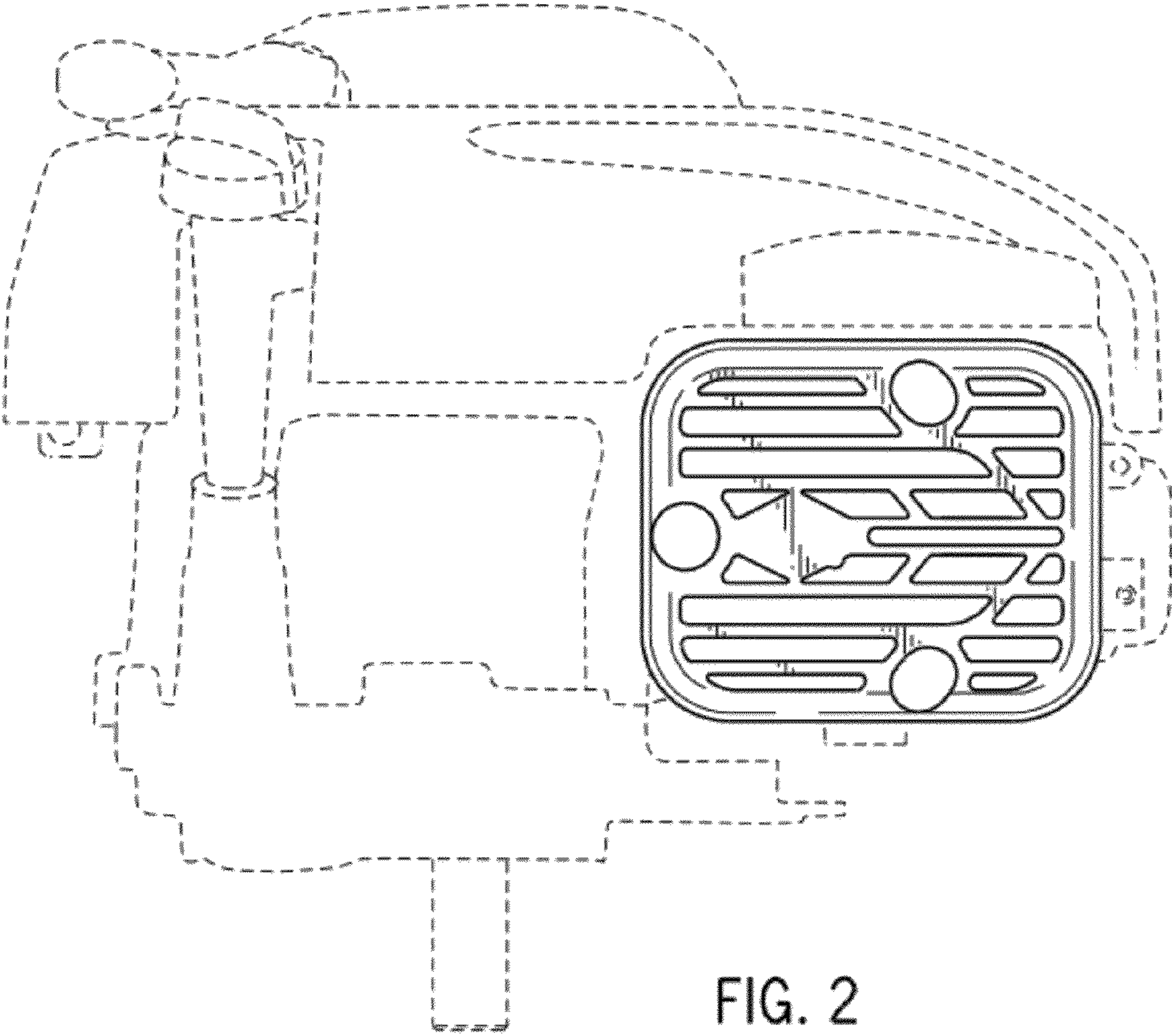


FIG. 2

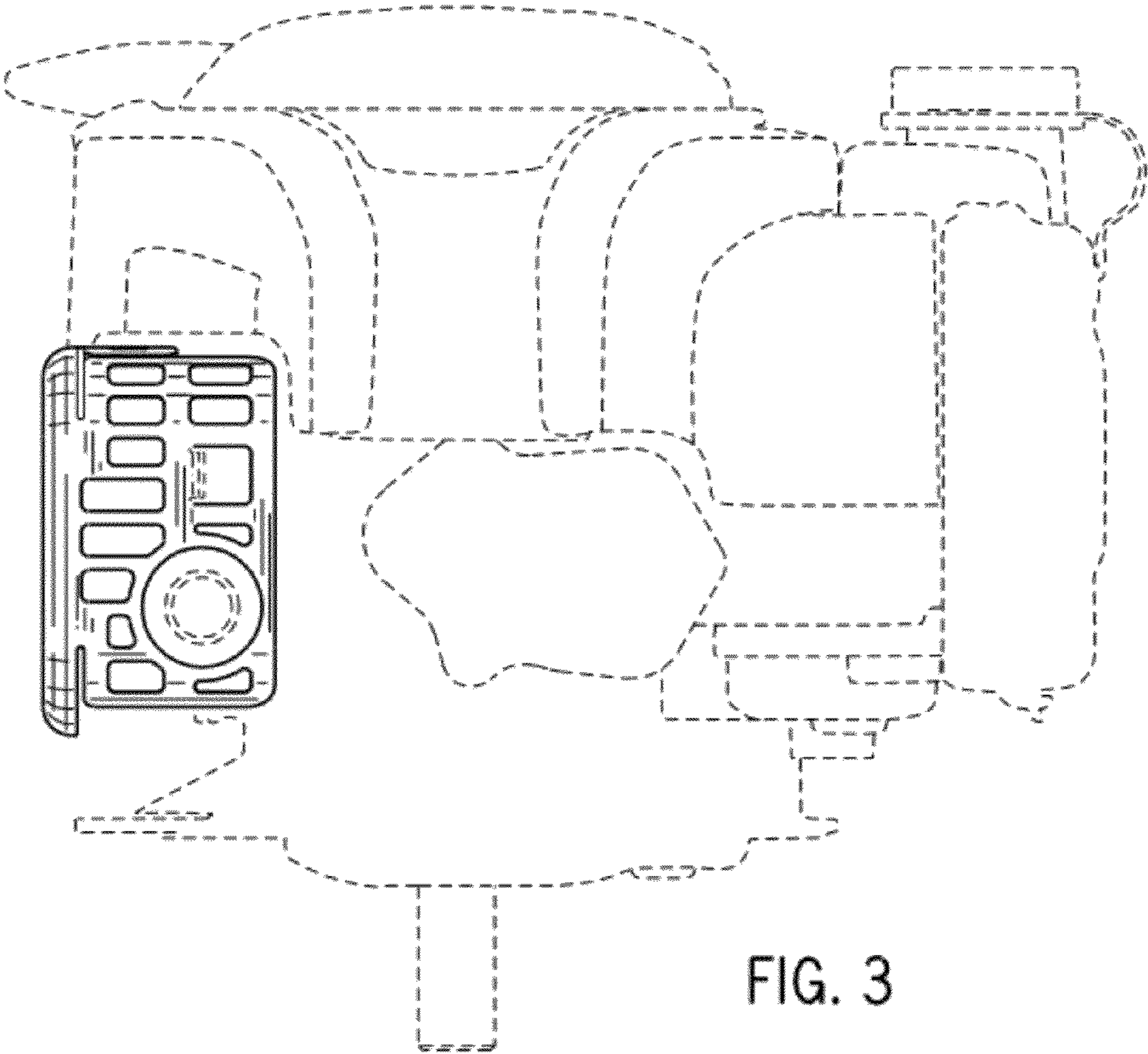


FIG. 3

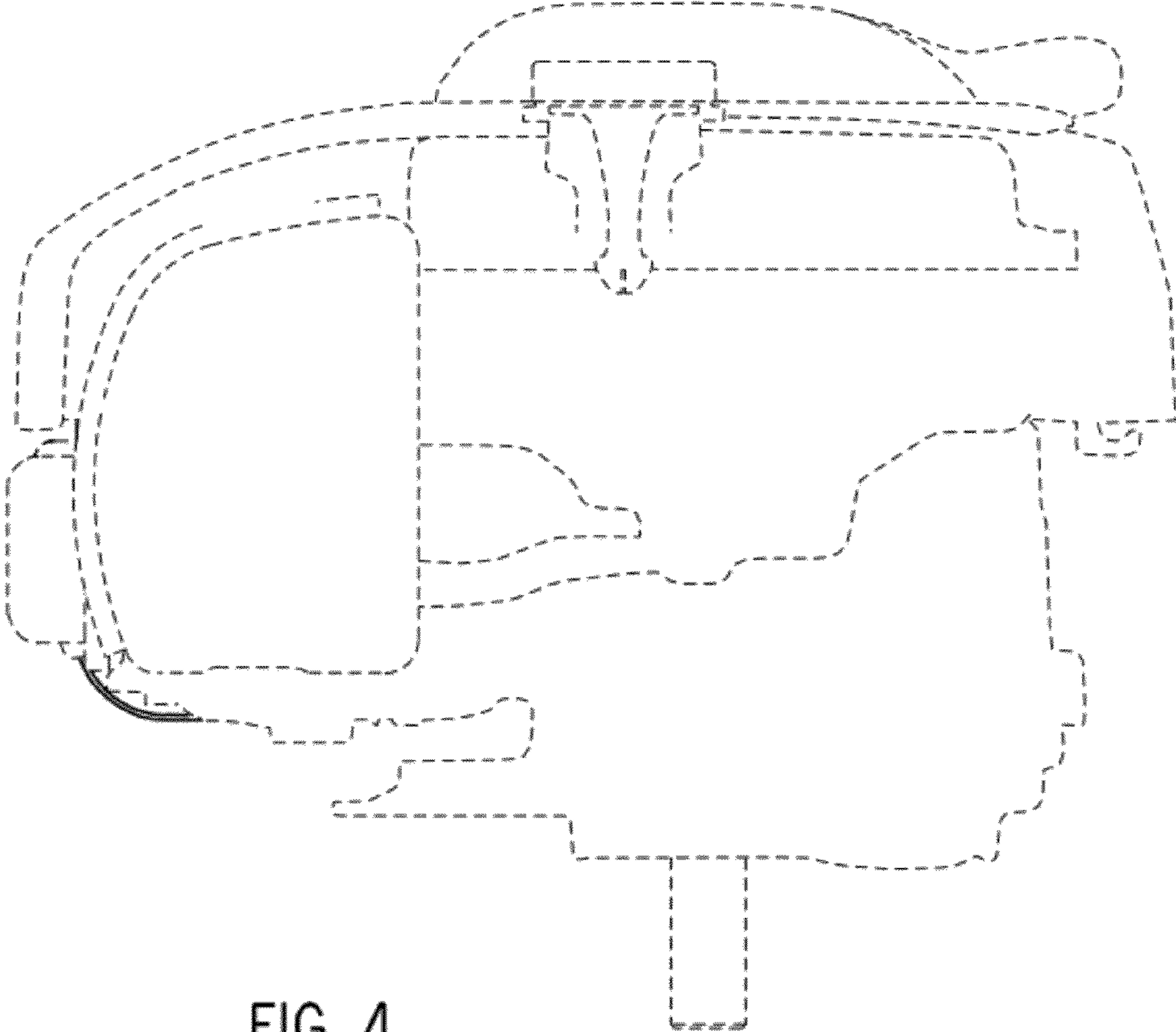


FIG. 4

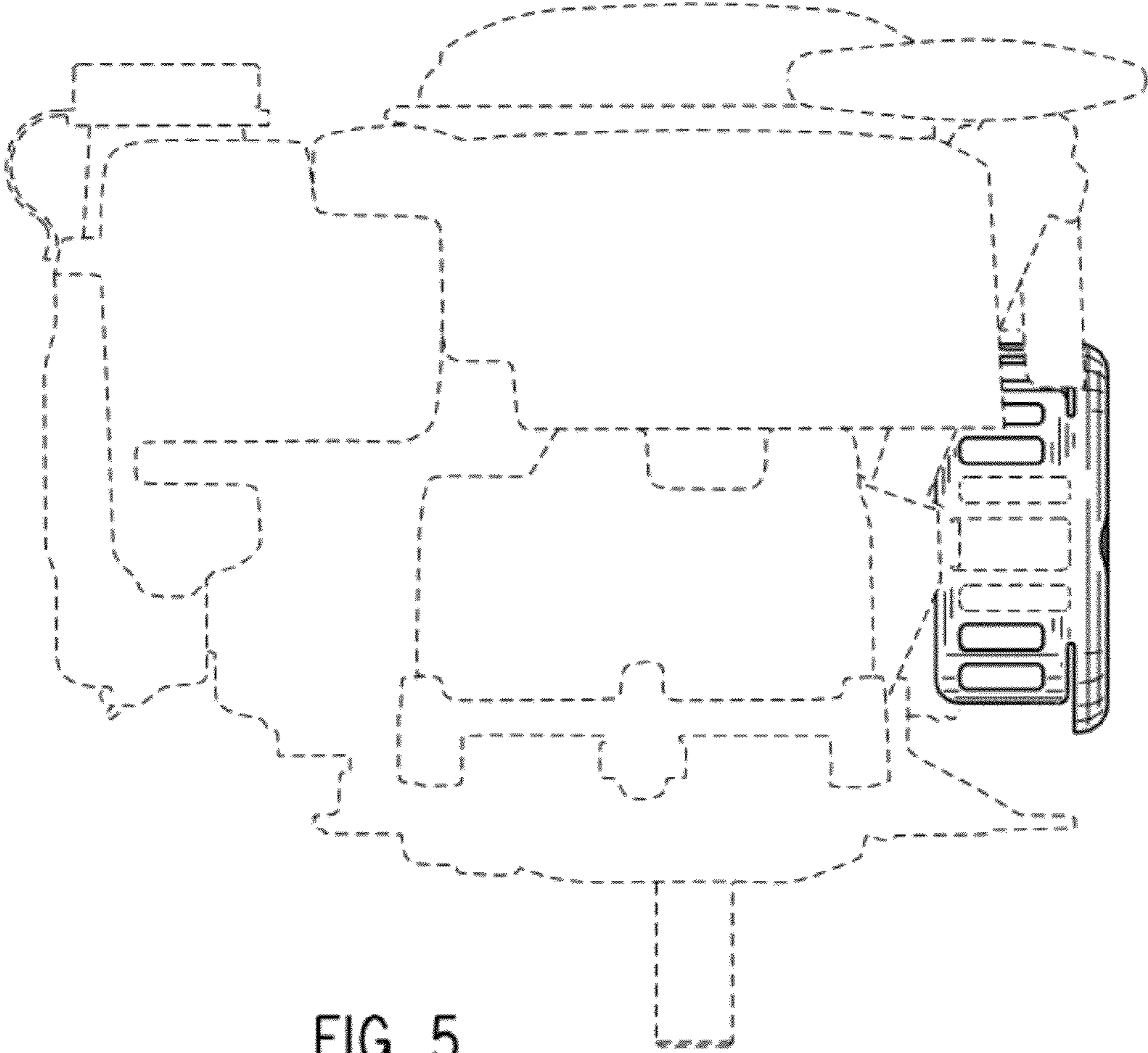


FIG. 5

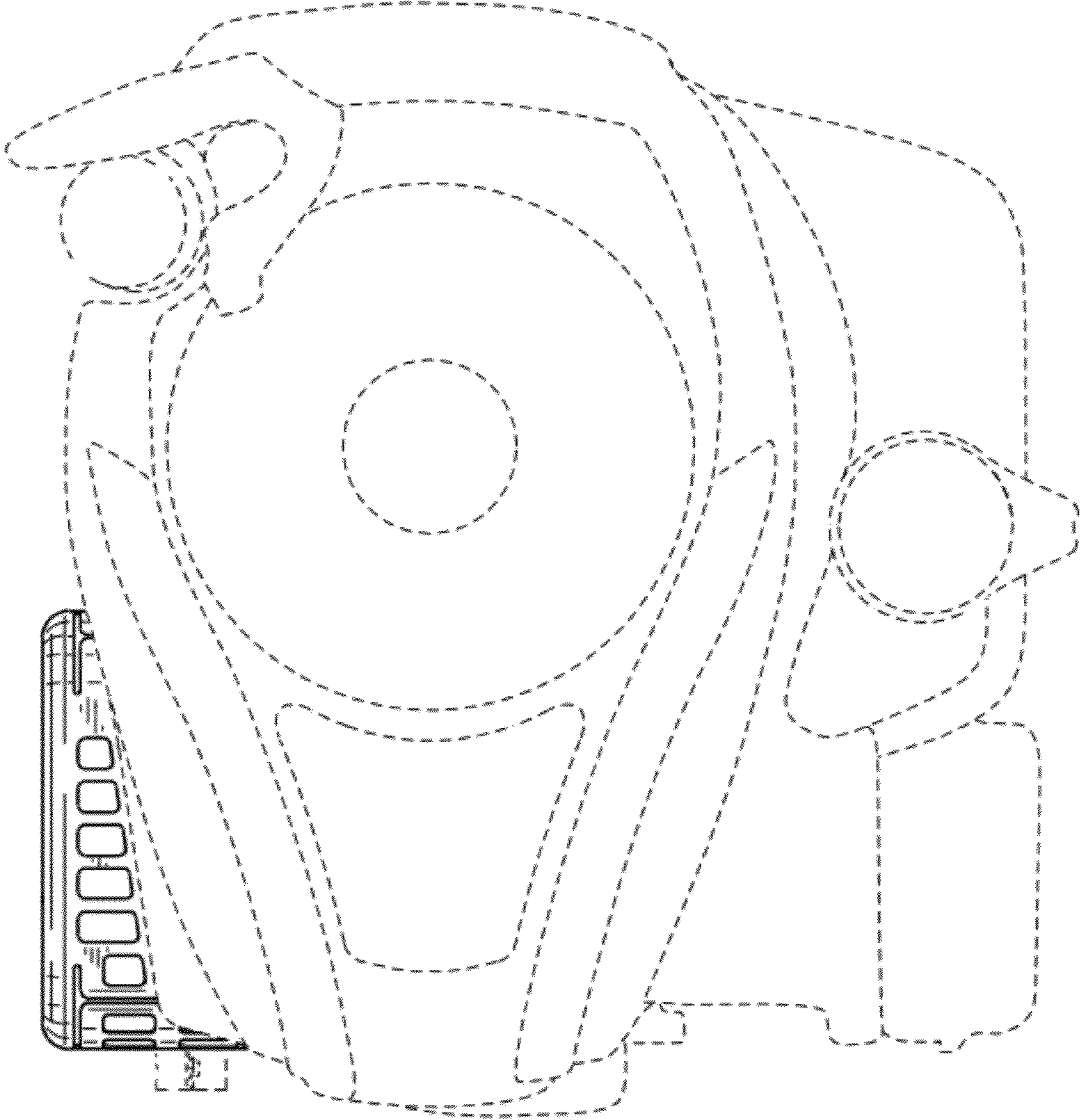


FIG. 6

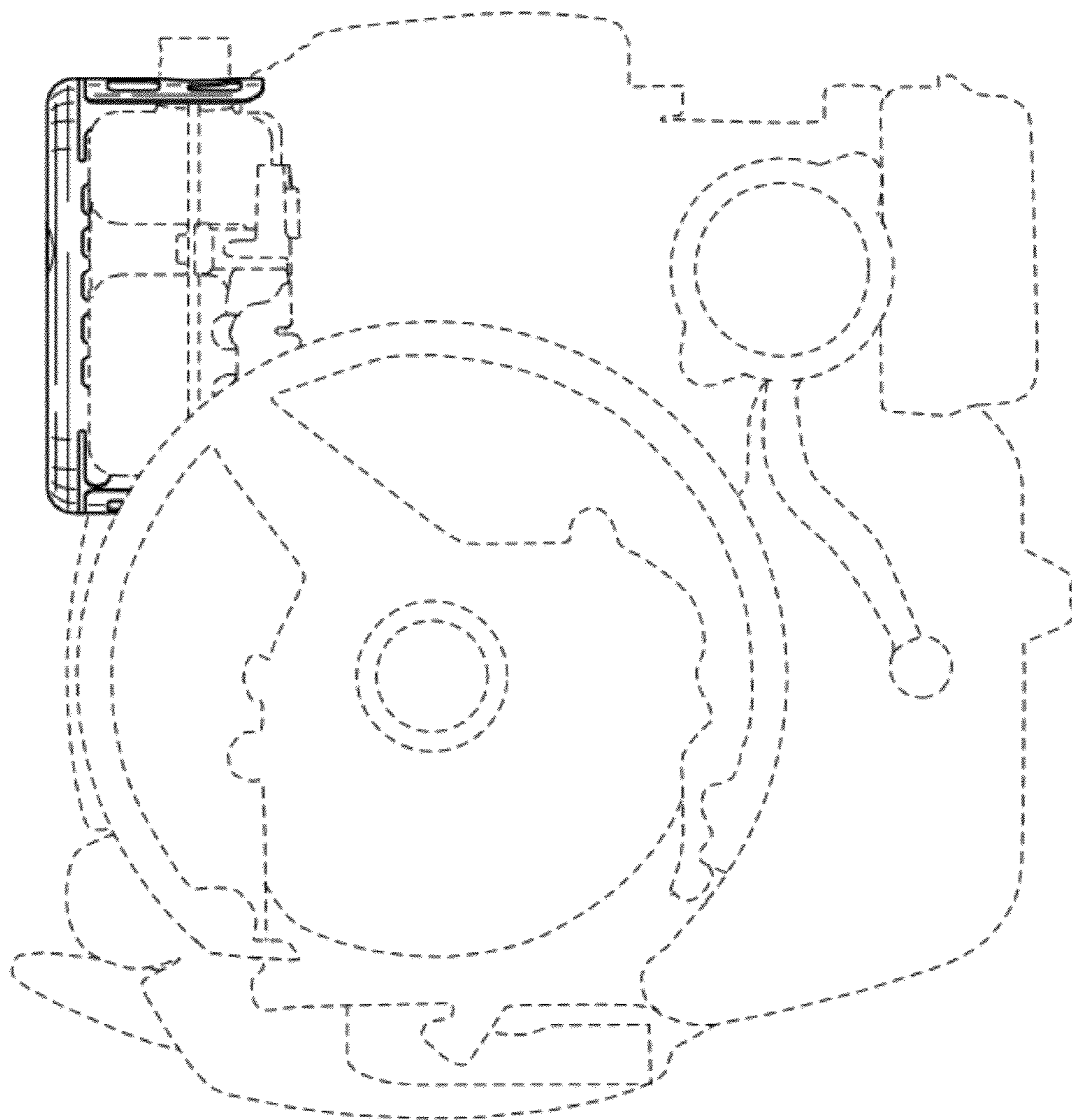


FIG. 7