



US00D667462S

(12) **United States Design Patent**
Andre et al.

(10) **Patent No.:** **US D667,462 S**
(45) **Date of Patent:** **** Sep. 18, 2012**

(54) **ELECTRONIC DEVICE**

(75) Inventors: **Bartley K. Andre**, Menlo Park, CA (US); **Daniel J. Coster**, San Francisco, CA (US); **Daniele De Iuliis**, San Francisco, CA (US); **Richard P. Howarth**, San Francisco, CA (US); **Jonathan P. Ive**, San Francisco, CA (US); **Steve Jobs**, Palo Alto, CA (US); **Duncan Robert Kerr**, San Francisco, CA (US); **Shin Nishibori**, Kailua, HI (US); **Matthew Dean Rohrbach**, San Francisco, CA (US); **Peter Russell-Clarke**, San Francisco, CA (US); **Douglas B. Satzger**, Menlo Park, CA (US); **Calvin Q. Seid**, Palo Alto, CA (US); **Vincent Keane Seid**, legal representative, Los Gatos, CA (US); **Christopher J. Stringer**, Woodside, CA (US); **Eugene Antony Whang**, San Francisco, CA (US); **Rico Zorkendorfer**, San Francisco, CA (US)

(73) Assignee: **Apple Inc.**, Cupertino, CA (US)

(**) Term: **14 Years**

(21) Appl. No.: **29/415,717**

(22) Filed: **Mar. 13, 2012**

Related U.S. Application Data

(63) Continuation of application No. 29/390,474, filed on Apr. 25, 2011, now Pat. No. Des. 655,721, which is a continuation of application No. 29/361,163, filed on May 6, 2010, now abandoned, which is a continuation of application No. 29/350,746, filed on Nov. 23, 2009, now Pat. No. Des. 618,205, which is a continuation of application No. 29/341,322, filed on Aug. 4, 2009, now Pat. No. Des. 605,627, which is a continuation of application No. 29/284,190, filed on Aug. 31, 2007, now Pat. No. Des. 598,425, said application No. 29/390,474 is a continuation of application No. 29/352,295, filed on Dec. 18, 2009, now abandoned, which is a continuation of application No. 29/284,268, filed on Sep. 4, 2007, now Pat. No. Des. 606,964.

(51) **LOC (9) Cl.** **14-03**

(52) **U.S. Cl.** **D14/496; D14/203.3**

(58) **Field of Classification Search** D14/496, D14/401, 435, 474, 483, 217, 137, 138, 160, D14/168, 356, 203.1–203.8, 507; 345/156, 345/169, 173–179, 905; 715/727–729, 864; 710/1, 5, 8; 713/1, 600; 455/1.1, 1.7, 73, 455/344–347, 93, 95, 3.01–3.06, 550.1, 573.1; 370/342–344; 369/1, 2, 6–12; 463/43–47; 273/148 B

See application file for complete search history.

(56) **References Cited**

U.S. PATENT DOCUMENTS

5,192,082 A 3/1993 Inoue et al.
(Continued)

FOREIGN PATENT DOCUMENTS

CN 3543458 D 7/2006

Primary Examiner — Prabhakar Deshmukh

(74) *Attorney, Agent, or Firm* — Sterne, Kessler, Goldstein & Fox PLLC

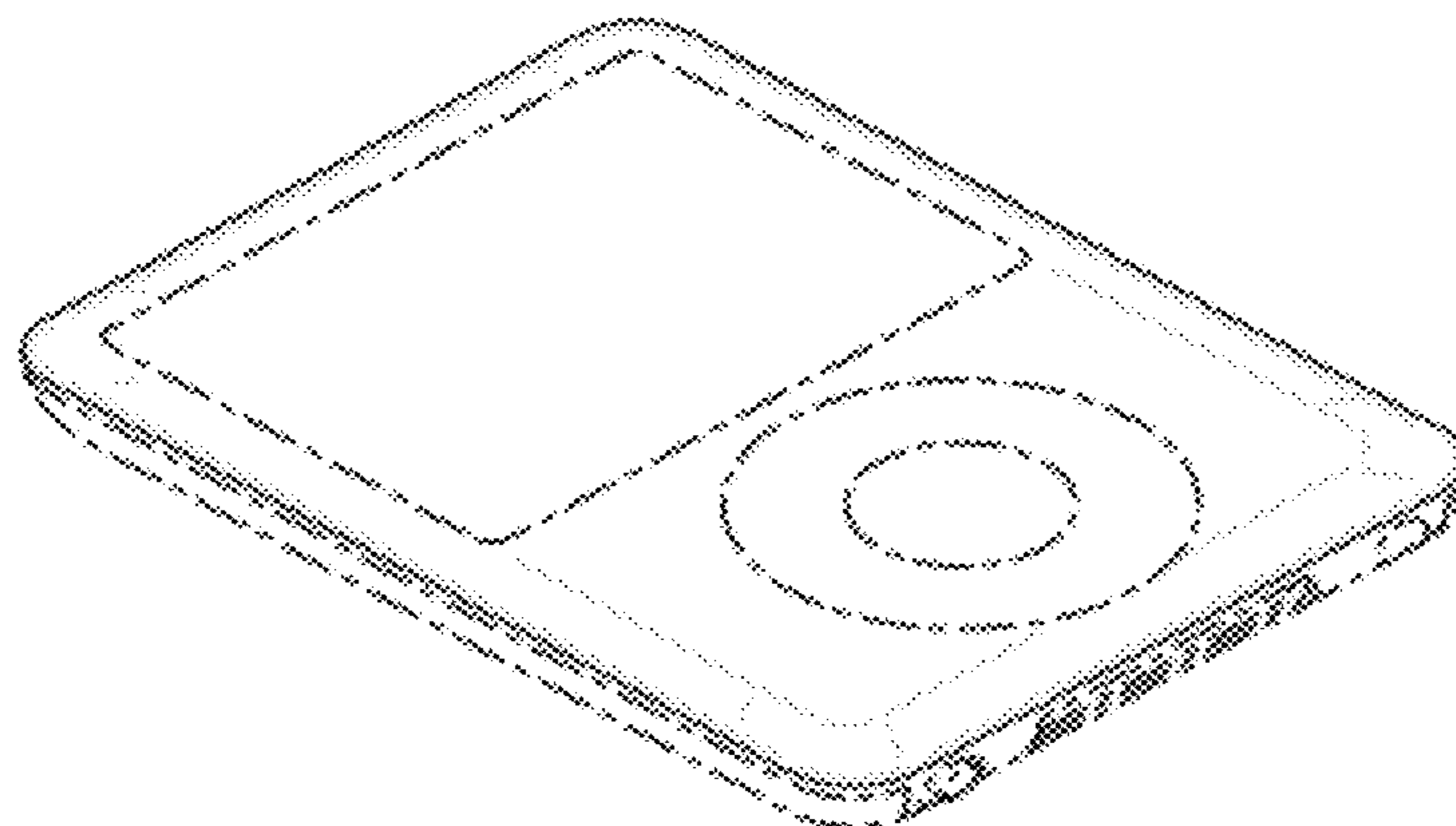
(57) **CLAIM**

The ornamental design for an electronic device, as shown and described.

DESCRIPTION

FIG. 1 is a front perspective view of an electronic device showing our new design;
FIG. 2 is a rear perspective thereof;
FIG. 3 is a front view thereof;
FIG. 4 is a rear view thereof;
FIG. 5 is a left side view thereof;
FIG. 6 is right side view thereof;
FIG. 7 is a top plan view thereof;
FIG. 8 is a bottom plan view thereof; and,
FIG. 9 is an enlarged elevational view of a representative corner of the electronic device.
The broken lines show portions of the electronic device which form no part of the claimed design.

1 Claim, 5 Drawing Sheets



US D667,462 S

Page 2

U.S. PATENT DOCUMENTS

D424,535 S 5/2000 Peltola
D489,052 S 4/2004 Shiraki et al.
D513,512 S 1/2006 Tsai
D570,834 S 6/2008 Cobb
D570,835 S 6/2008 Cobb et al.

D622,261 S * 8/2010 Andre et al. D14/203.7
D629,387 S * 12/2010 Lee D14/203.7
D631,865 S * 2/2011 Lee D14/203.7
D633,469 S * 3/2011 Lee D14/203.7
D633,470 S * 3/2011 Andre et al. D14/203.7

* cited by examiner

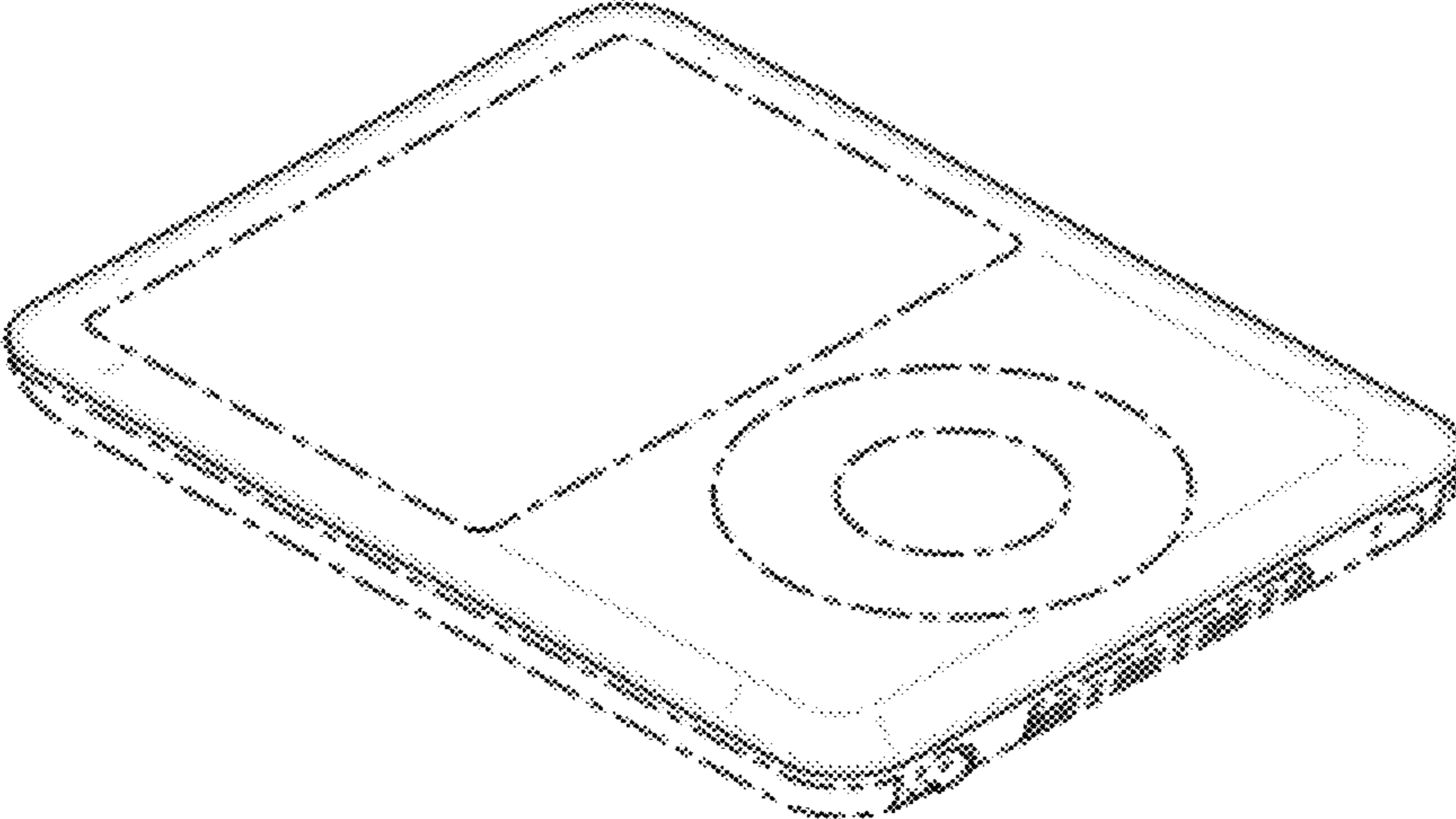


FIG. 1

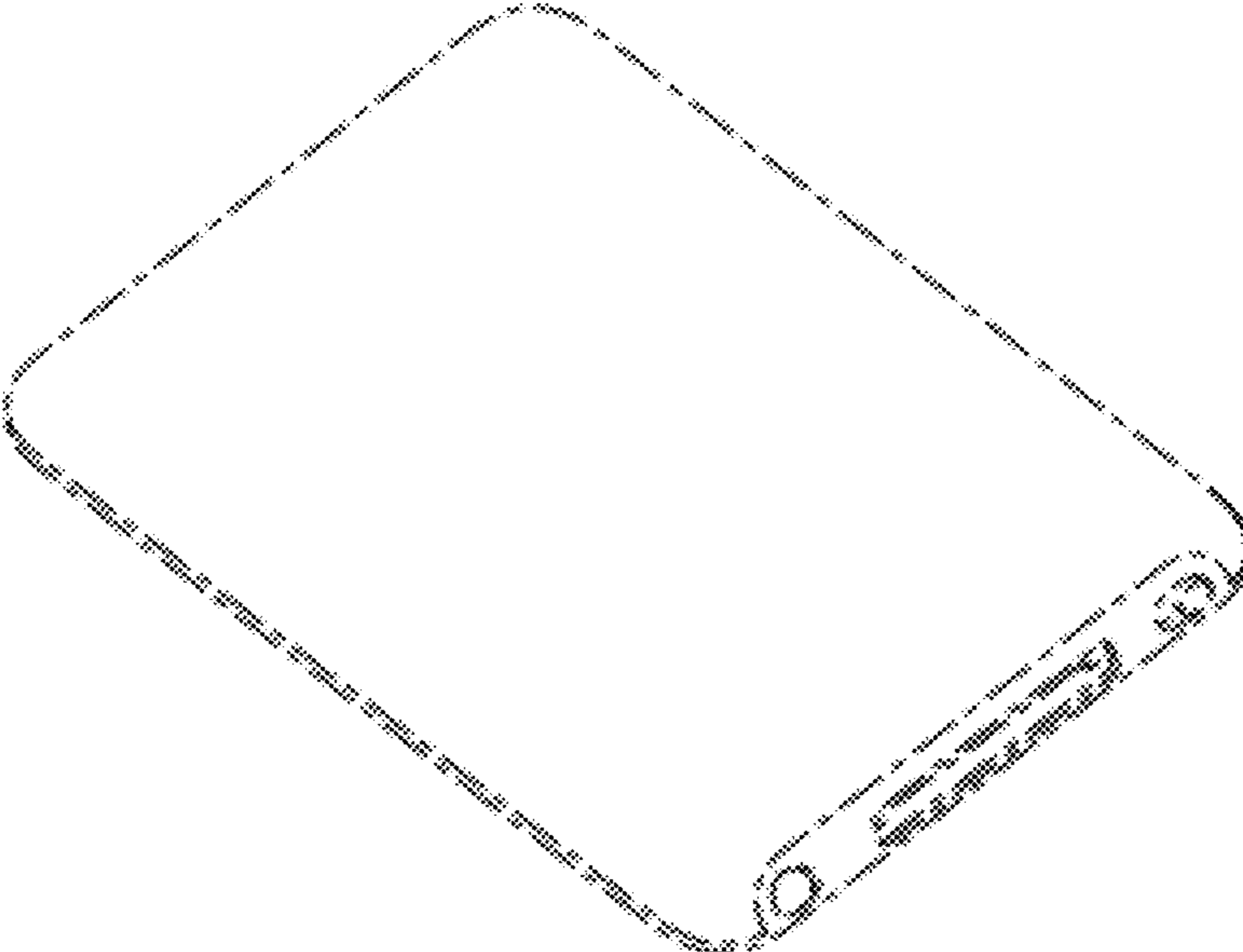


FIG. 2

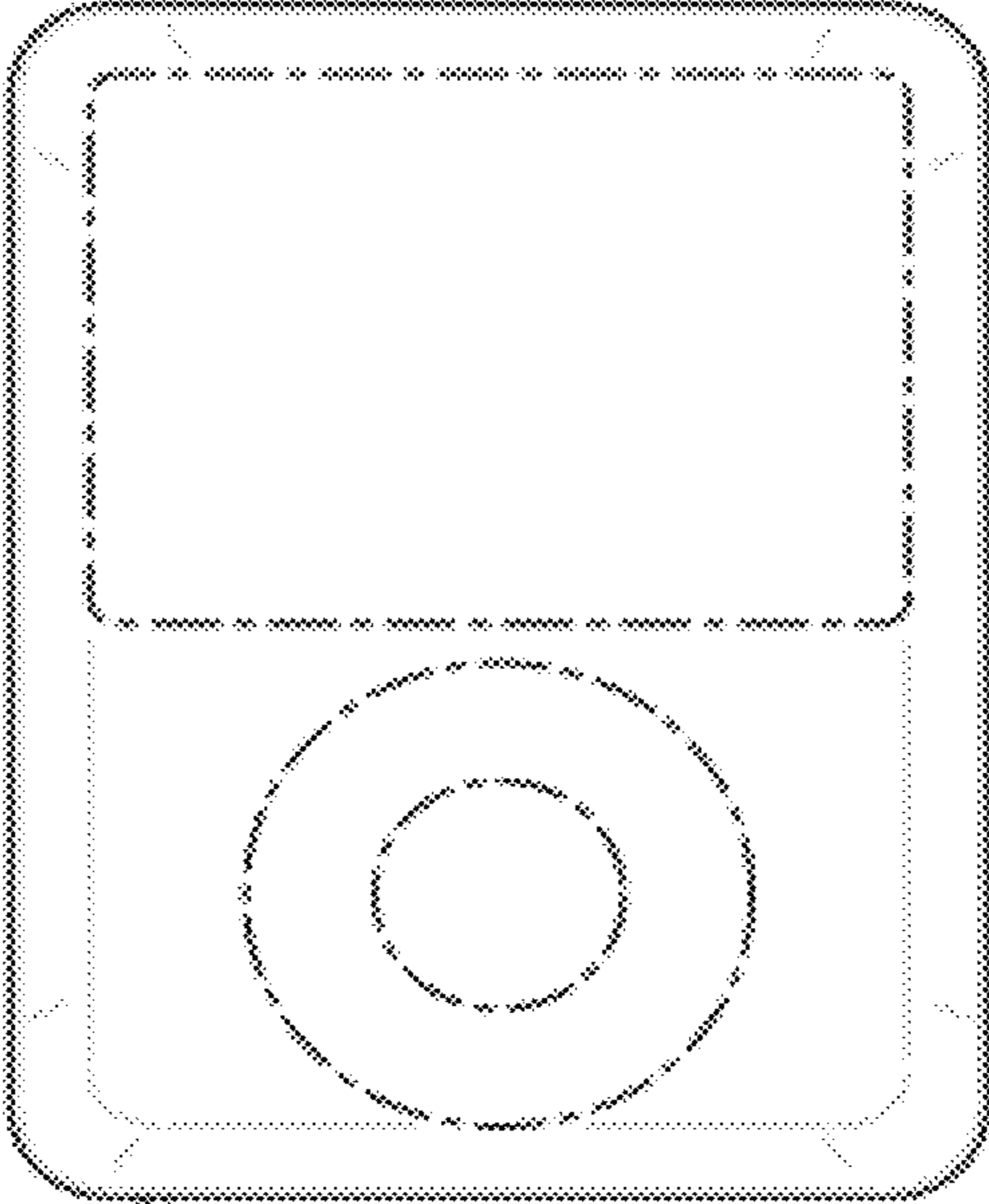


FIG. 3



FIG. 4



FIG. 5



FIG. 6



FIG. 7

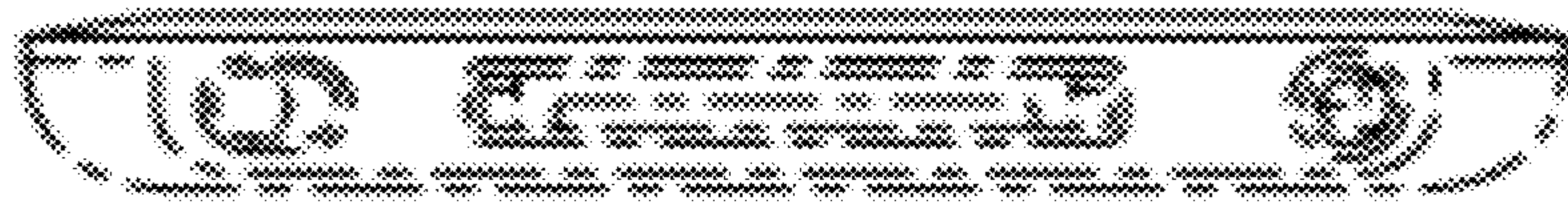


FIG. 8

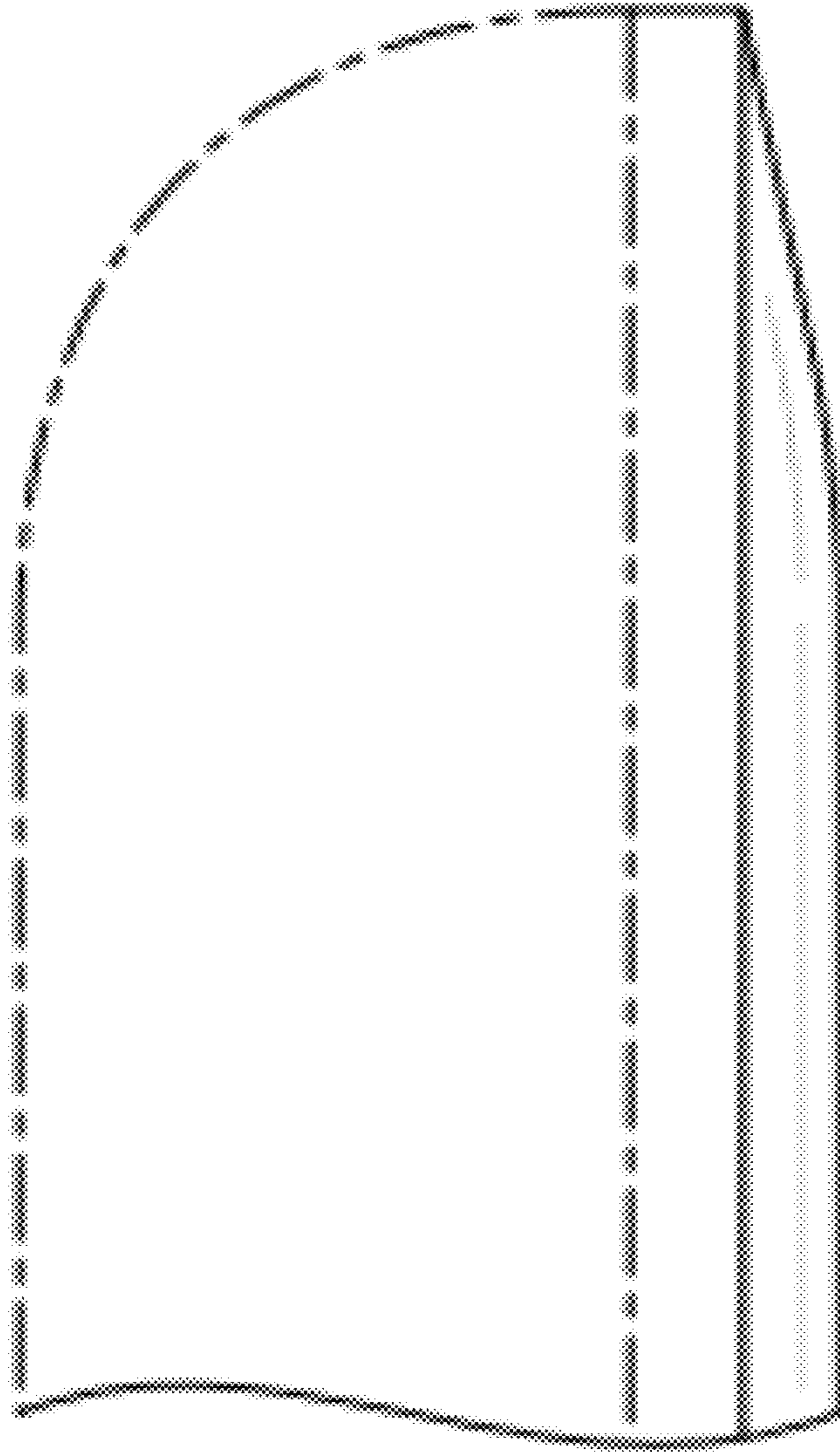


FIG. 9