



US00D667413S

(12) **United States Design Patent**  
**Song**

(10) **Patent No.:** **US D667,413 S**

(45) **Date of Patent:** **\*\* Sep. 18, 2012**

(54) **MEMO-SHEET ATTACHING BOARD FOR ATTACHMENT ON COMPUTER MONITOR**

D617,565 S \* 6/2010 Mischel, Jr. .... D6/300  
D621,407 S \* 8/2010 Simonsen .... D14/448  
D624,323 S \* 9/2010 Simonsen .... D6/301

\* cited by examiner

(76) Inventor: **Suk Un Song**, Seoul (KR)

*Primary Examiner* — Cynthia Ramirez

(\*\*) Term: **14 Years**

(74) *Attorney, Agent, or Firm* — St. Onge Steward Johnston & Reens LLC

(21) Appl. No.: **29/390,881**

(22) Filed: **Apr. 29, 2011**

(57) **CLAIM**

The ornamental design for a memo-sheet attaching board for attachment on computer monitor, as shown and described.

(30) **Foreign Application Priority Data**

**DESCRIPTION**

Dec. 31, 2010 (KR) ..... 30-2010-0057228

(51) **LOC (9) Cl.** ..... **14-02**

(52) **U.S. Cl.** ..... **D14/448**

(58) **Field of Classification Search** ..... D14/448;  
345/32; 359/609; D6/301, 396, 410, 409,  
D6/413, 419, 420, 449, 454, 455, 456, 629;  
D20/10; 211/13.1, 59.2, 69.6, 85.11, 169;  
D19/27, 32, 33; 248/447, 453, 456; 150/148;  
40/733

See application file for complete search history.

FIG. 1 is a front isometric view of a memo-sheet attaching board for attachment on computer monitor in accordance with the new design;

FIG. 2 is a front elevation view thereof;

FIG. 3 is a left side elevation view thereof, a right side elevation view being a mirror image thereof;

FIG. 4 is a top plan view thereof, a bottom plan view being a mirror image thereof;

FIG. 5 is a rear isometric view thereof, showing a portion of an adhesive strip with a portion of a release sheet detached; and,

FIG. 6 is a front isometric view thereof, showing the memo-sheet attaching board attached to a computer monitor and memo-sheets attached to the memo-sheet attaching board.

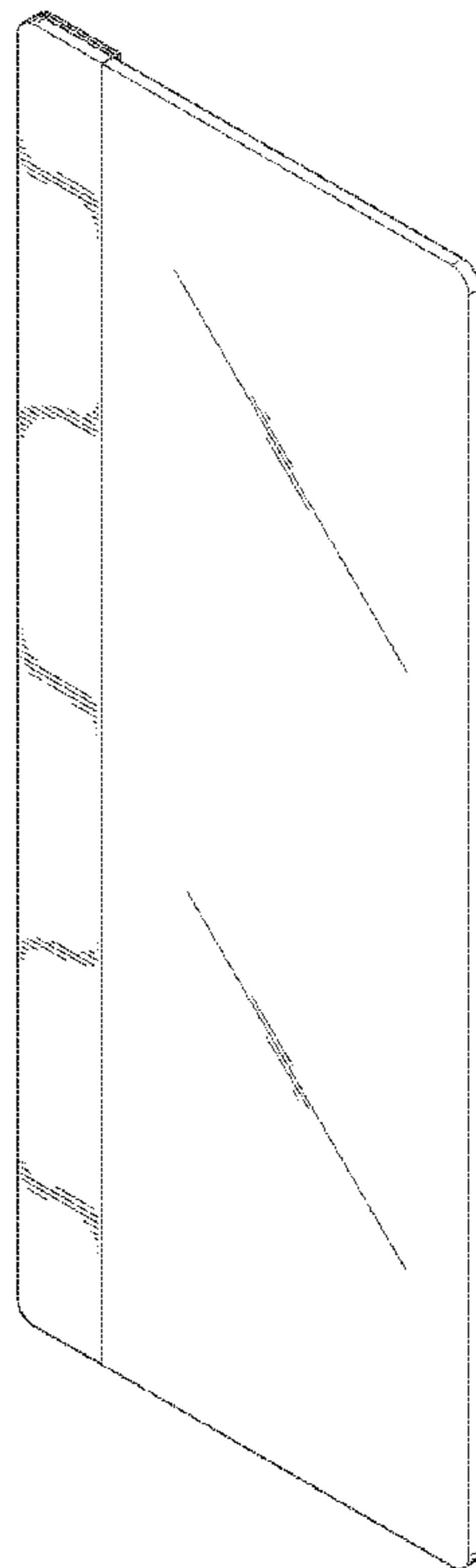
The broken lines shown in FIG. 6 are directed to environment and are for illustrative purposes only; the broken lines form no part of the claimed design.

(56) **References Cited**

**U.S. PATENT DOCUMENTS**

D398,915 S \* 9/1998 Shaffer ..... D14/450  
D436,593 S \* 1/2001 Narotzky ..... D14/432  
6,967,635 B2 \* 11/2005 Hung ..... 345/32  
D545,067 S \* 6/2007 Mischel, Jr. .... D6/300  
D545,574 S \* 7/2007 Mischel, Jr. .... D6/300

**1 Claim, 6 Drawing Sheets**



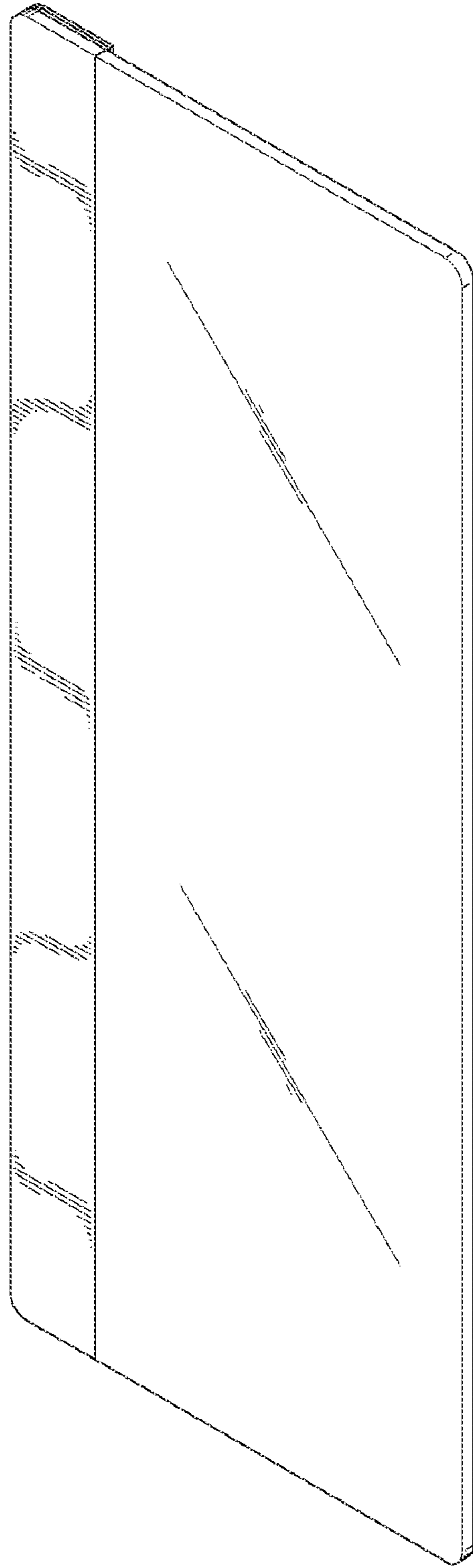


FIG. 1

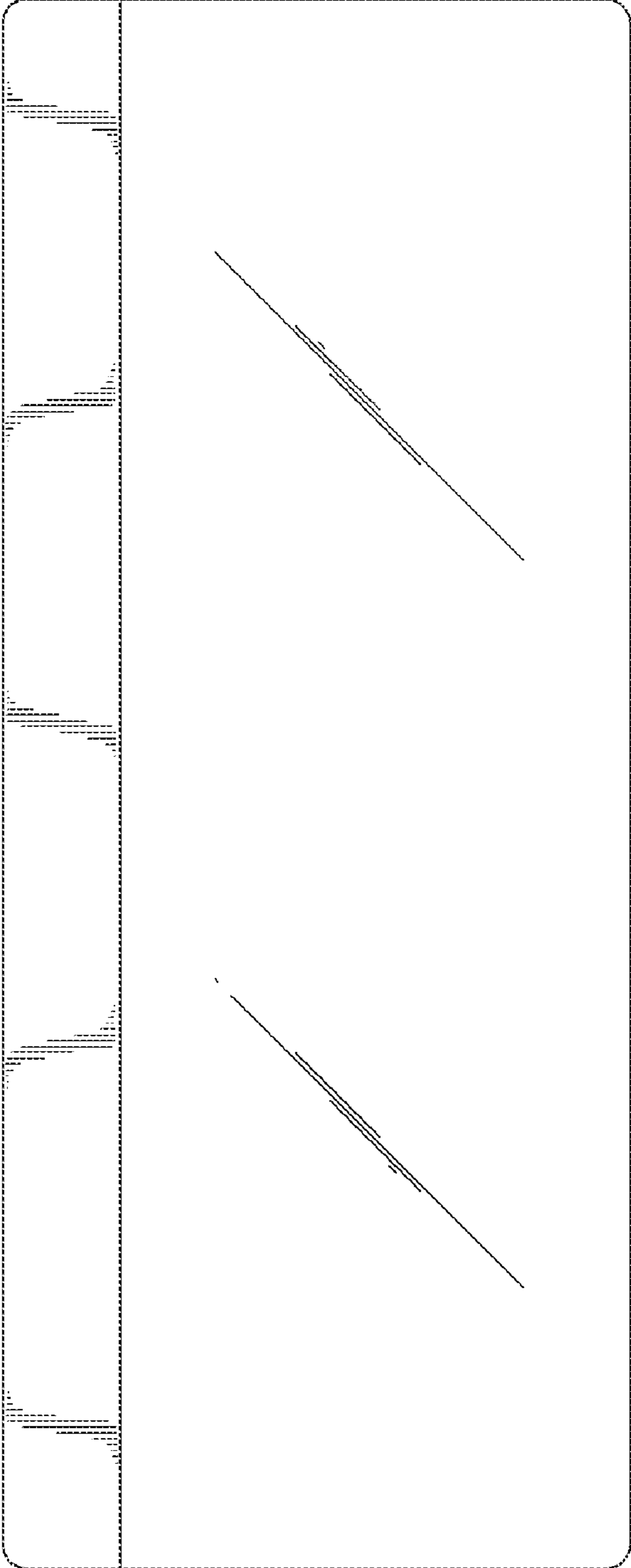


FIG. 2



FIG. 3

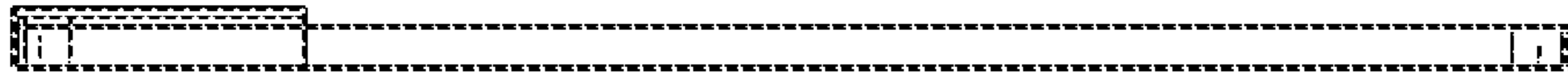


FIG. 4

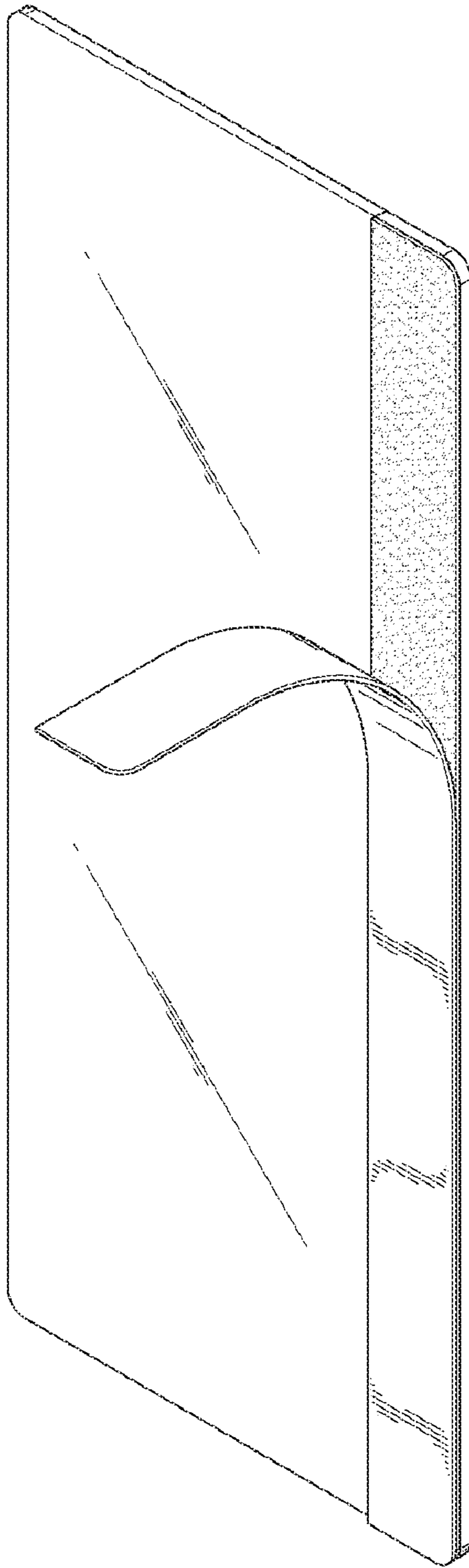


FIG. 5

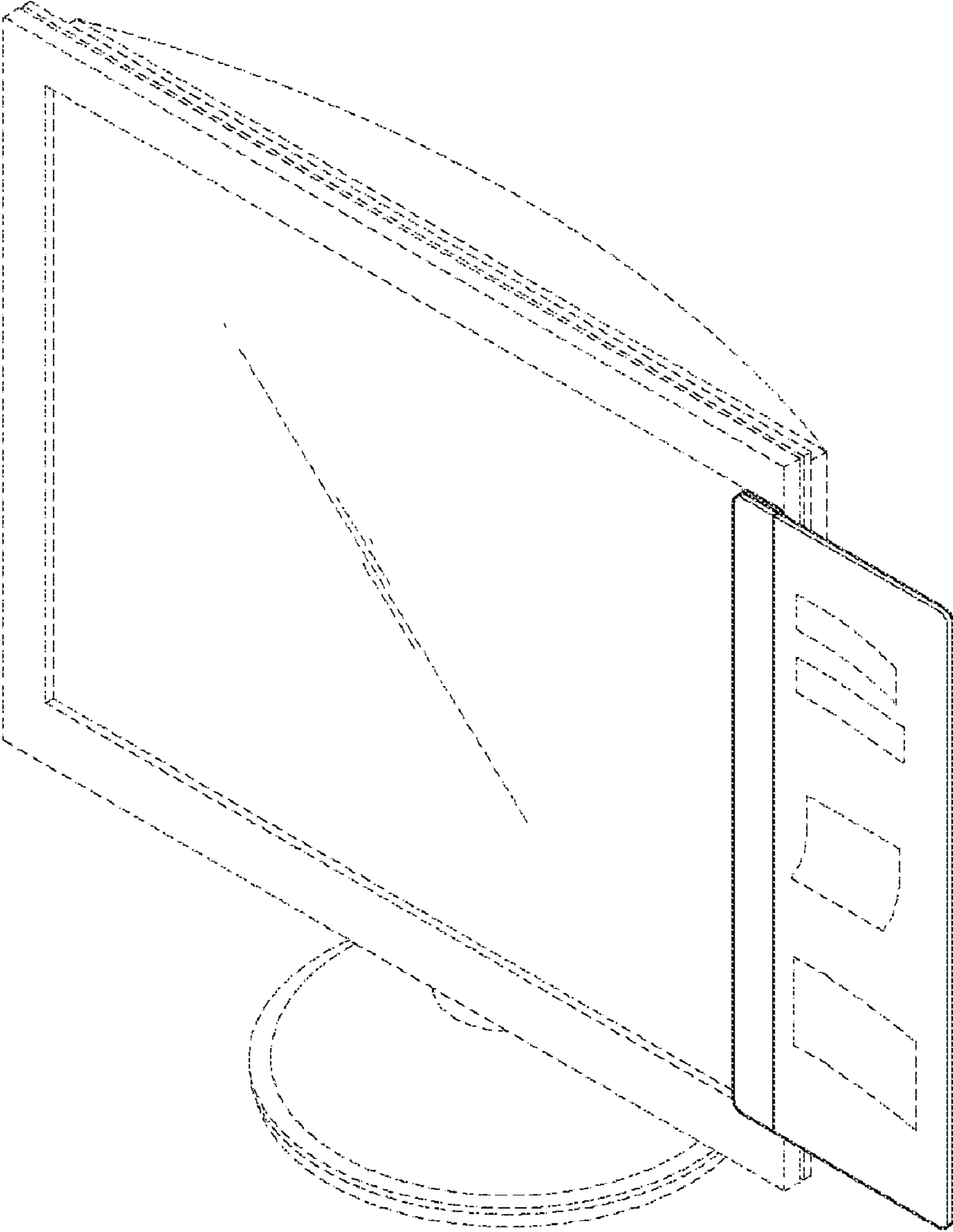


FIG. 6