

US00D667408S

(12) **United States Design Patent**  
**Lim et al.**

(10) **Patent No.:** **US D667,408 S**

(45) **Date of Patent:** **\*\* Sep. 18, 2012**

(54) **MOUSE**

(75) Inventors: **Woo-Teik Lim**, Seoul (KR); **Ji-Sang Park**, Kyunggi-do (KR)

(73) Assignee: **Samsung Electronics Co., Ltd.**,  
Suwon-si, Gyeonggi-do (KR)

(\*\*) Term: **14 Years**

(21) Appl. No.: **29/418,468**

(22) Filed: **Apr. 17, 2012**

(30) **Foreign Application Priority Data**

Nov. 15, 2011 (KR) ..... 30-2011-0047998

(51) **LOC (9) Cl.** ..... **14-02**

(52) **U.S. Cl.** ..... **D14/408**

(58) **Field of Classification Search** ..... D14/402-411,  
D14/356, 388, 389, 383-385, 417, 426;  
345/156-167; 463/36-38; 358/471, 473;  
273/148 B

See application file for complete search history.

(56) **References Cited**

U.S. PATENT DOCUMENTS

D454,568	S	*	3/2002	Andre et al.	.....	D14/408
D483,765	S	*	12/2003	Ma et al.	.....	D14/408
D513,258	S	*	12/2005	Huang	.....	D14/408
D580,938	S	*	11/2008	Simonian et al.	.....	D14/402
D591,749	S	*	5/2009	Huang et al.	.....	D14/407
D635,572	S	*	4/2011	Kujawski et al.	.....	D14/408
D648,724	S	*	11/2011	Andre et al.	.....	D14/408
D651,604	S	*	1/2012	Fischer	.....	D14/408

\* cited by examiner

*Primary Examiner* — Austin Murphy

(74) *Attorney, Agent, or Firm* — Flynn, Thiel, Boutell & Tanis, P.C.

(57) **CLAIM**

The ornamental design for a mouse, as shown and described.

**DESCRIPTION**

FIG. 1 is a top front perspective view of a mouse showing our new design;

FIG. 2 is a front elevational view thereof;

FIG. 3 is a rear elevational view thereof;

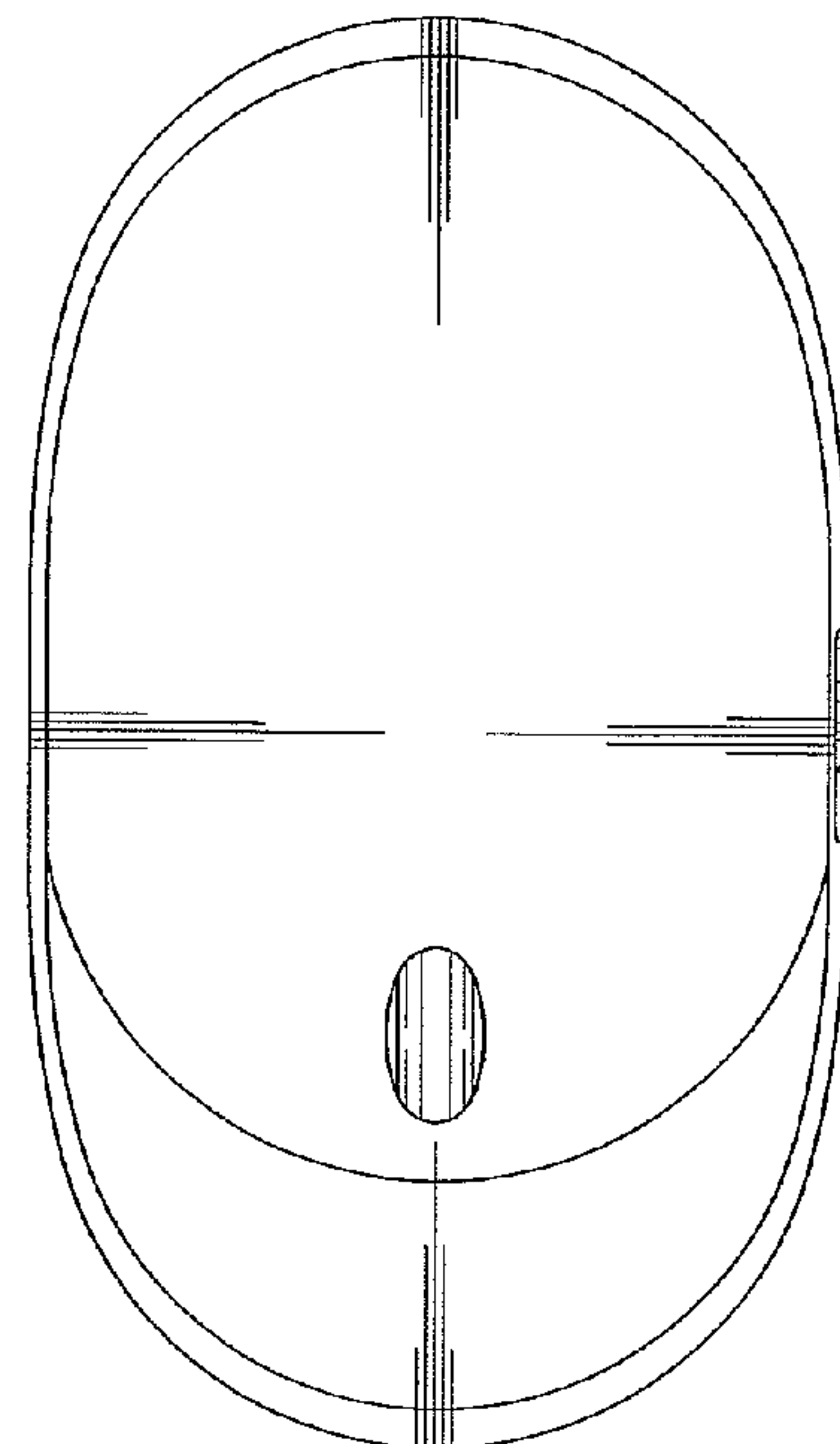
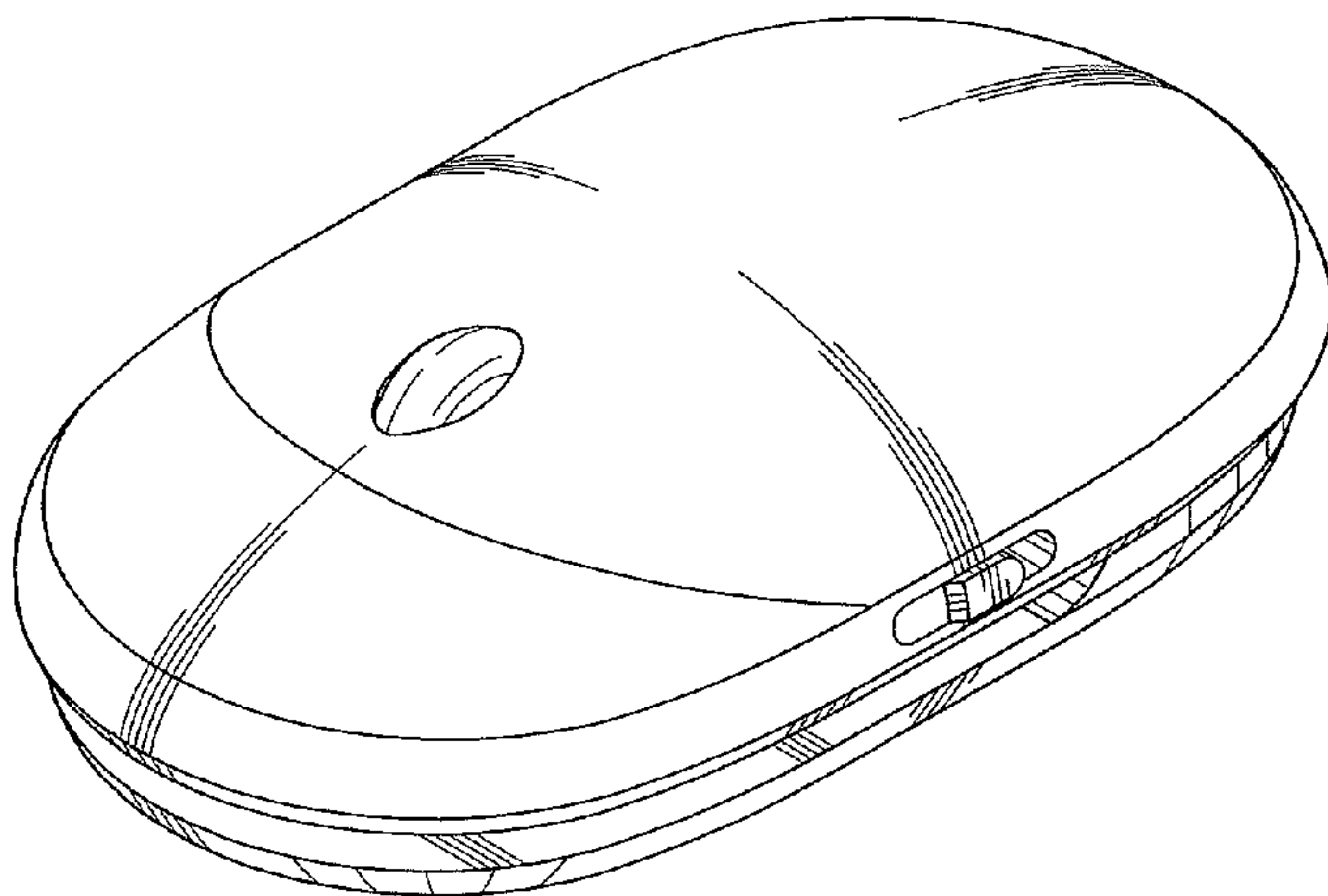
FIG. 4 is a left side elevational view thereof;

FIG. 5 is a right side elevational view thereof;

FIG. 6 is a top plan view thereof; and,

FIG. 7 is a bottom plan view thereof.

**1 Claim, 5 Drawing Sheets**



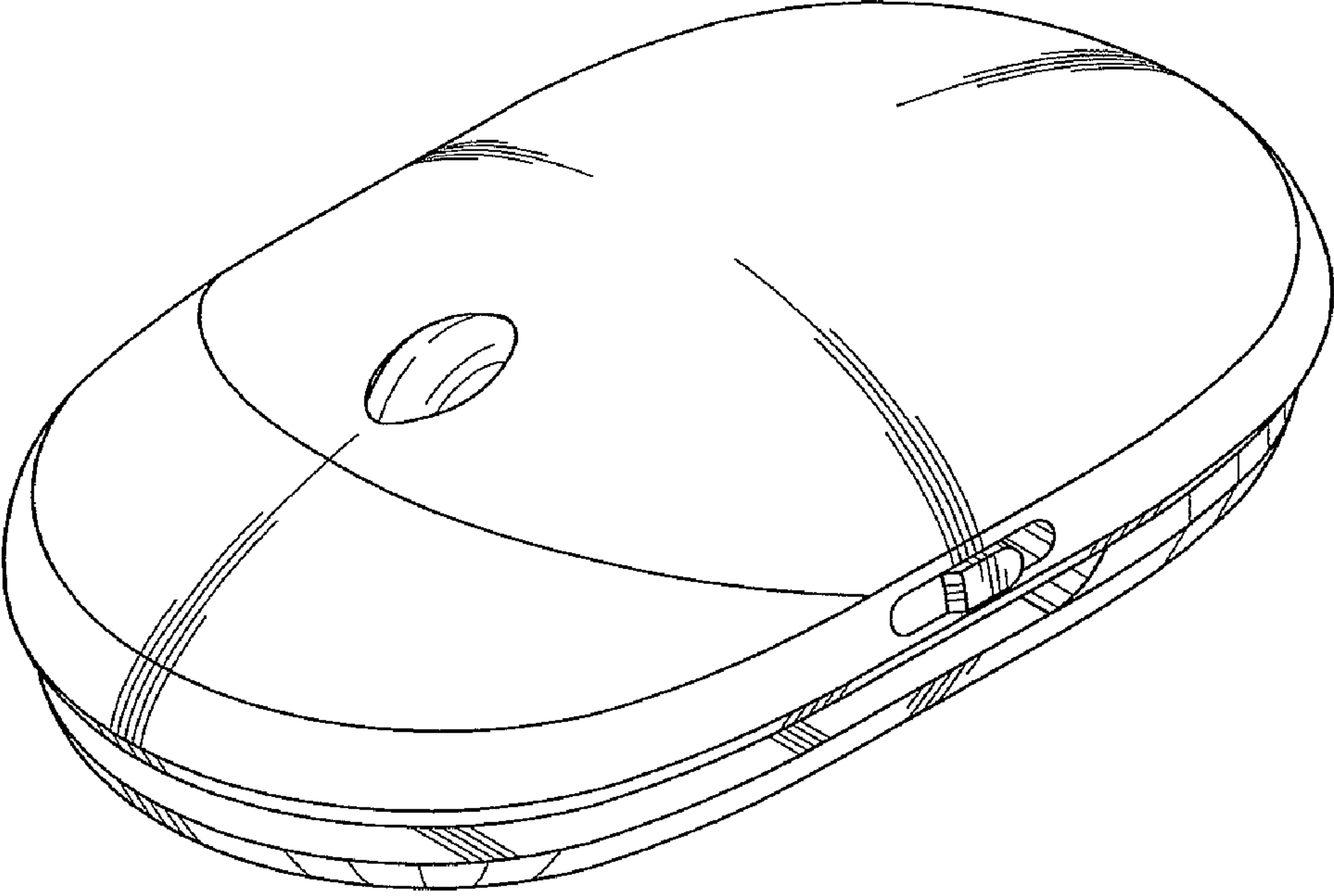


FIG.1

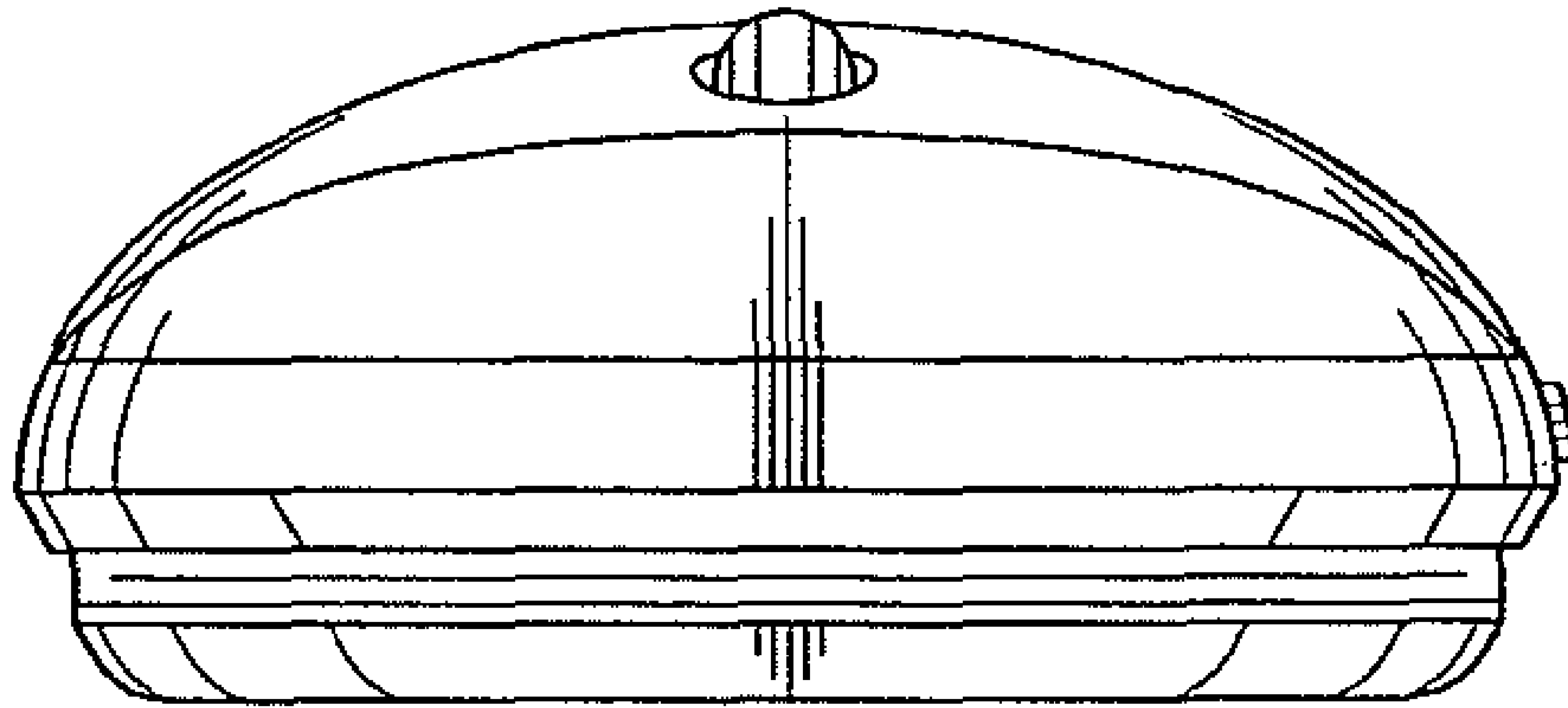


FIG. 2

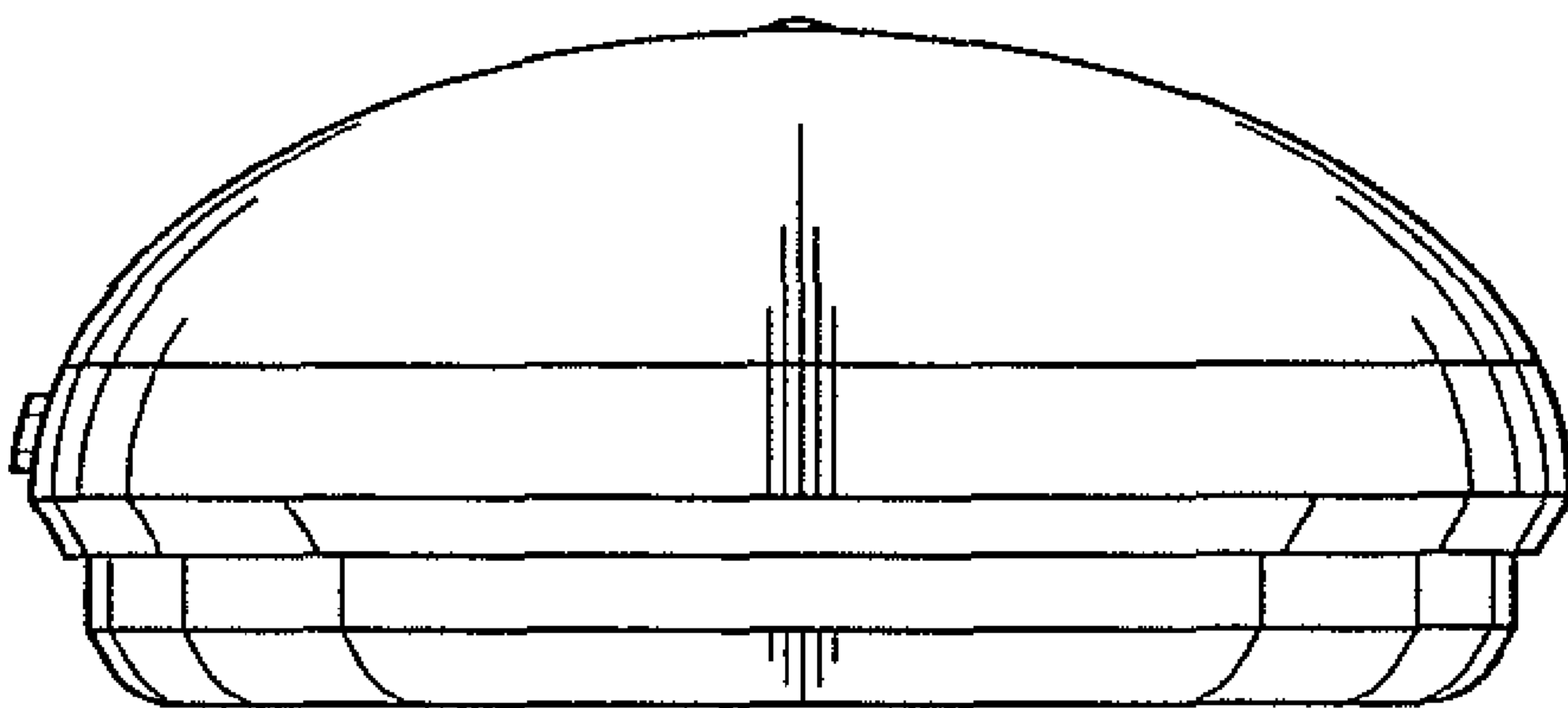


FIG. 3

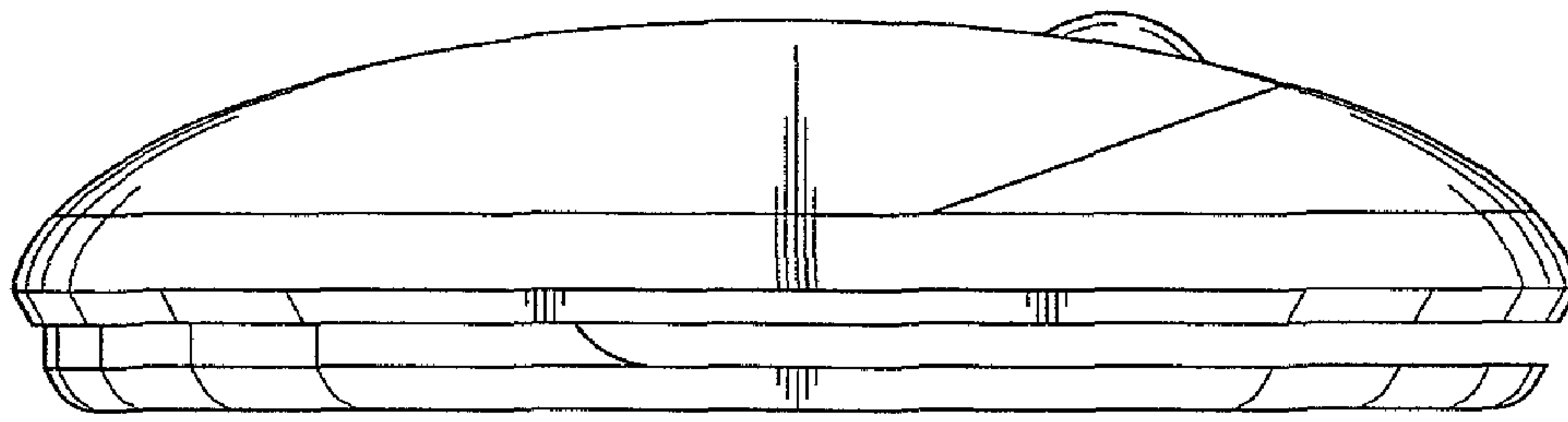


FIG. 4

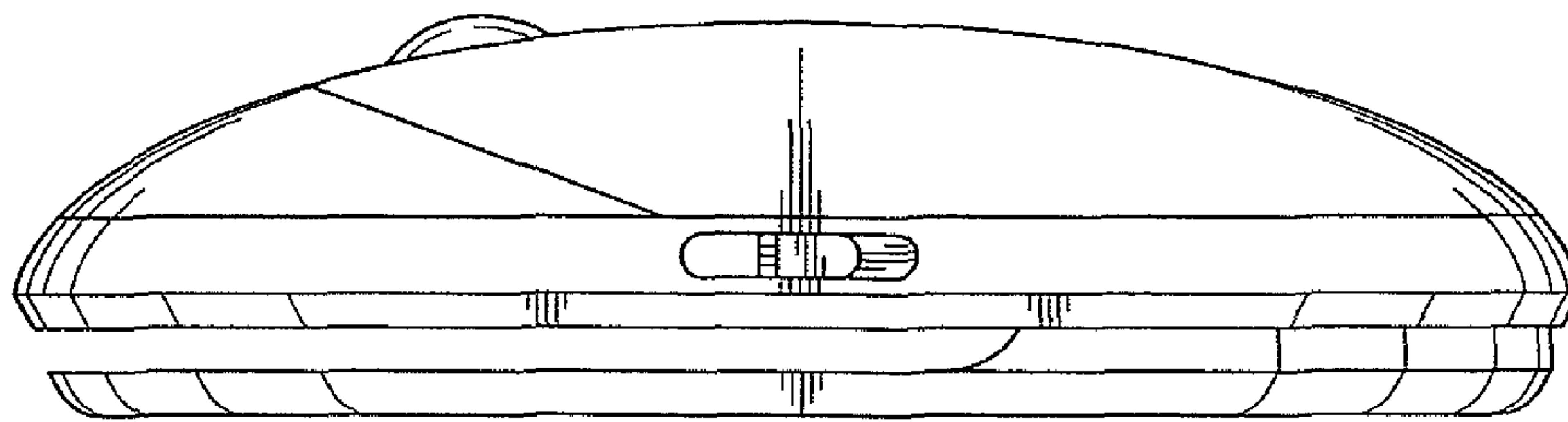


FIG. 5

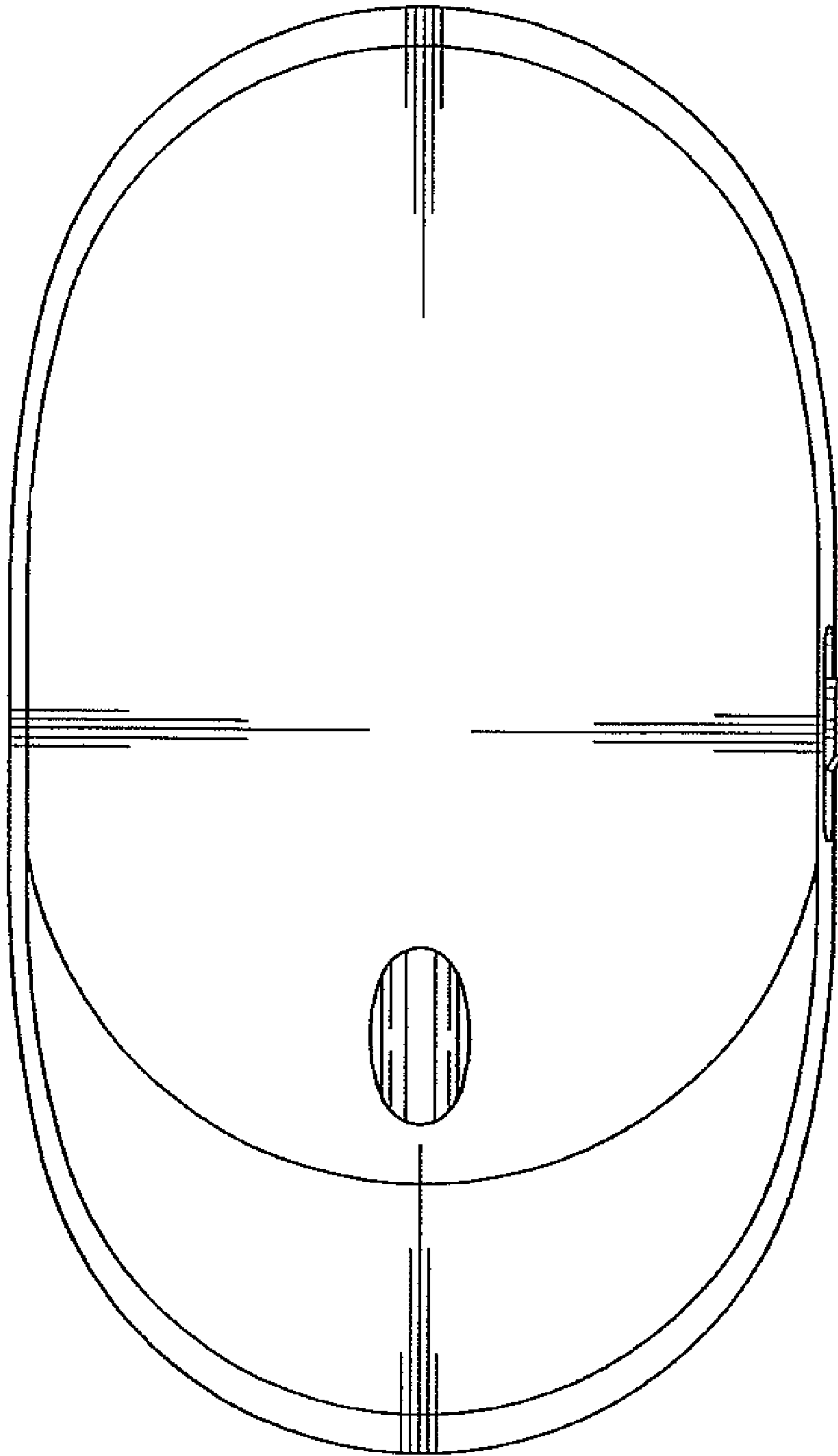


FIG.6

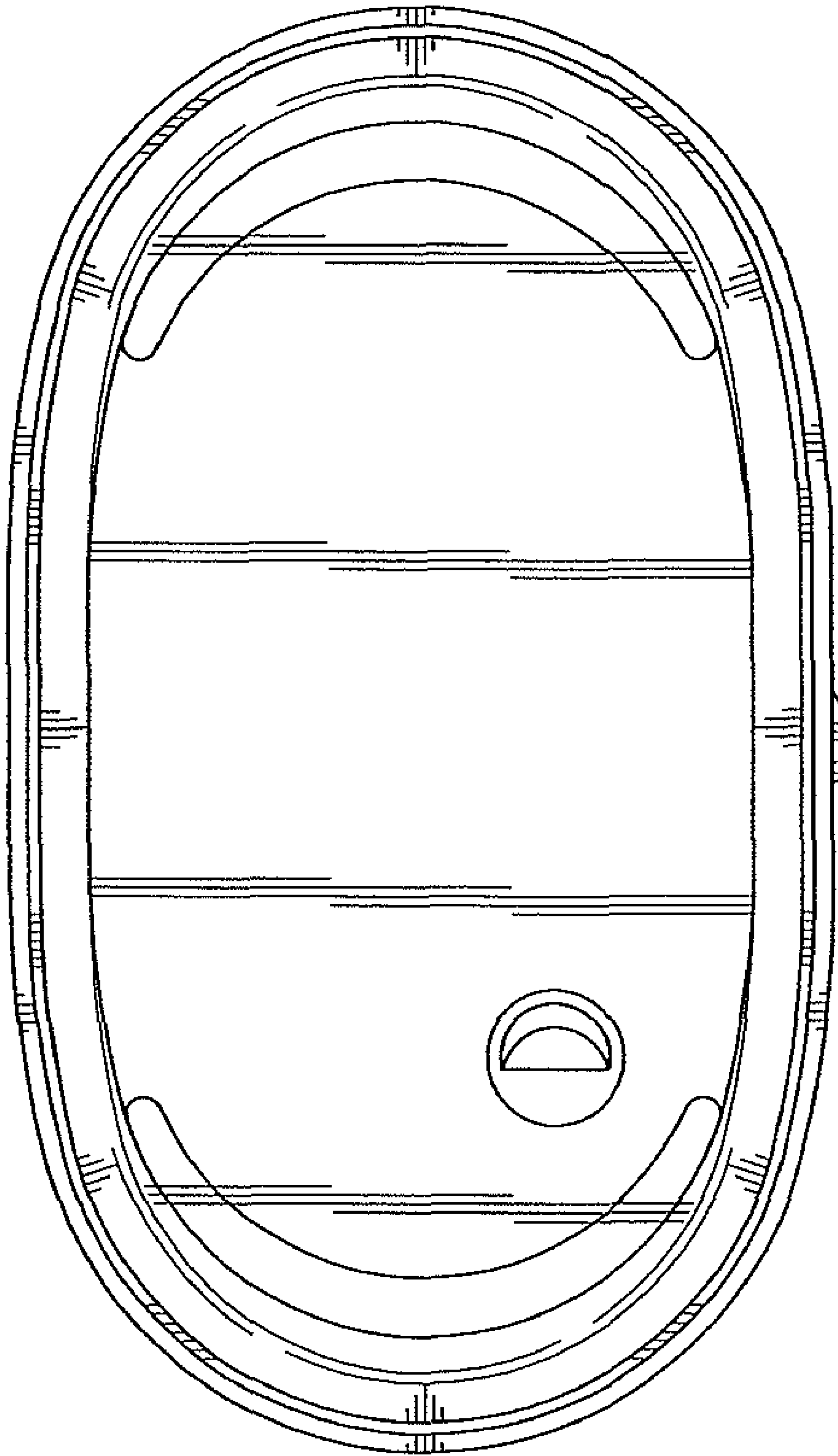


FIG.7