



US00D667404S

(12) **United States Design Patent**
Akana et al.

(10) **Patent No.:** **US D667,404 S**

(45) **Date of Patent:** **** *Sep. 18, 2012**

(54) **ELECTRONIC DEVICE**

(75) Inventors: **Jody Akana**, San Francisco, CA (US);
Bartley K. Andre, Menlo Park, CA
(US); **Jeremy Bataillou**, San Francisco,
CA (US); **Daniel J. Coster**, San
Francisco, CA (US); **Daniele De Iuliis**,
San Francisco, CA (US); **Evans**
Hankey, San Francisco, CA (US);
Richard P. Howarth, San Francisco, CA
(US); **Jonathan P. Ive**, San Francisco,
CA (US); **Duncan Robert Kerr**, San
Francisco, CA (US); **Shin Nishibori**,
Portola Valley, CA (US); **Matthew Dean**
Rohrbach, San Francisco, CA (US);
Peter Russell-Clarke, San Francisco,
CA (US); **Christopher J. Stringer**,
Woodside, CA (US); **Eugene Antony**
Whang, San Francisco, CA (US); **Rico**
Zorkendorfer, San Francisco, CA (US)

(73) Assignee: **Apple Inc.**, Cupertino, CA (US)

(*) Notice: This patent is subject to a terminal dis-
claimer.

(**) Term: **14 Years**

(21) Appl. No.: **29/365,518**

(22) Filed: **Jul. 9, 2010**

Related U.S. Application Data

(63) Continuation of application No. 29/361,522, filed on
May 12, 2010.

(51) **LOC (9) Cl.** **14-02**

(52) **U.S. Cl.** **D14/389**

(58) **Field of Classification Search** D14/388-392,
D14/336-347, 374; D18/7; 345/156-158,
345/173-178; 250/221

See application file for complete search history.

(56) **References Cited**

U.S. PATENT DOCUMENTS

D117,096 S * 10/1939 Good et al. D19/52
2,304,795 A * 12/1942 Bricker 248/453

D284,084 S * 6/1986 Ferrara, Jr. D14/389
D285,203 S * 8/1986 Milroy et al. D14/390
D289,291 S * 4/1987 Kapper D14/389
D293,467 S 12/1987 Elkerbout
D303,111 S 8/1989 Paley
D308,055 S * 5/1990 Tedham et al. D14/389

(Continued)

FOREIGN PATENT DOCUMENTS

KR 3002976250000 4/2002

OTHER PUBLICATIONS

U.S. Appl. No. 29/393,263 entitled "Keyboard" filed Jun. 1, 2011.

(Continued)

Primary Examiner — Deanna L Fluegeman

(74) *Attorney, Agent, or Firm* — SAIDMAN DesignLaw
Group

(57) **CLAIM**

The ornamental design for an electronic device, as shown and
described.

DESCRIPTION

FIG. 1 is a top, front perspective view of an electronic device
showing our new design;

FIG. 2 is bottom, front perspective view thereof;

FIG. 3 is a bottom, rear perspective view thereof;

FIG. 4 is a top, rear perspective view thereof;

FIG. 5 is a top view thereof;

FIG. 6 is a right side view thereof;

FIG. 7 is a bottom view thereof;

FIG. 8 is a left side view thereof;

FIG. 9 is a front view thereof; and,

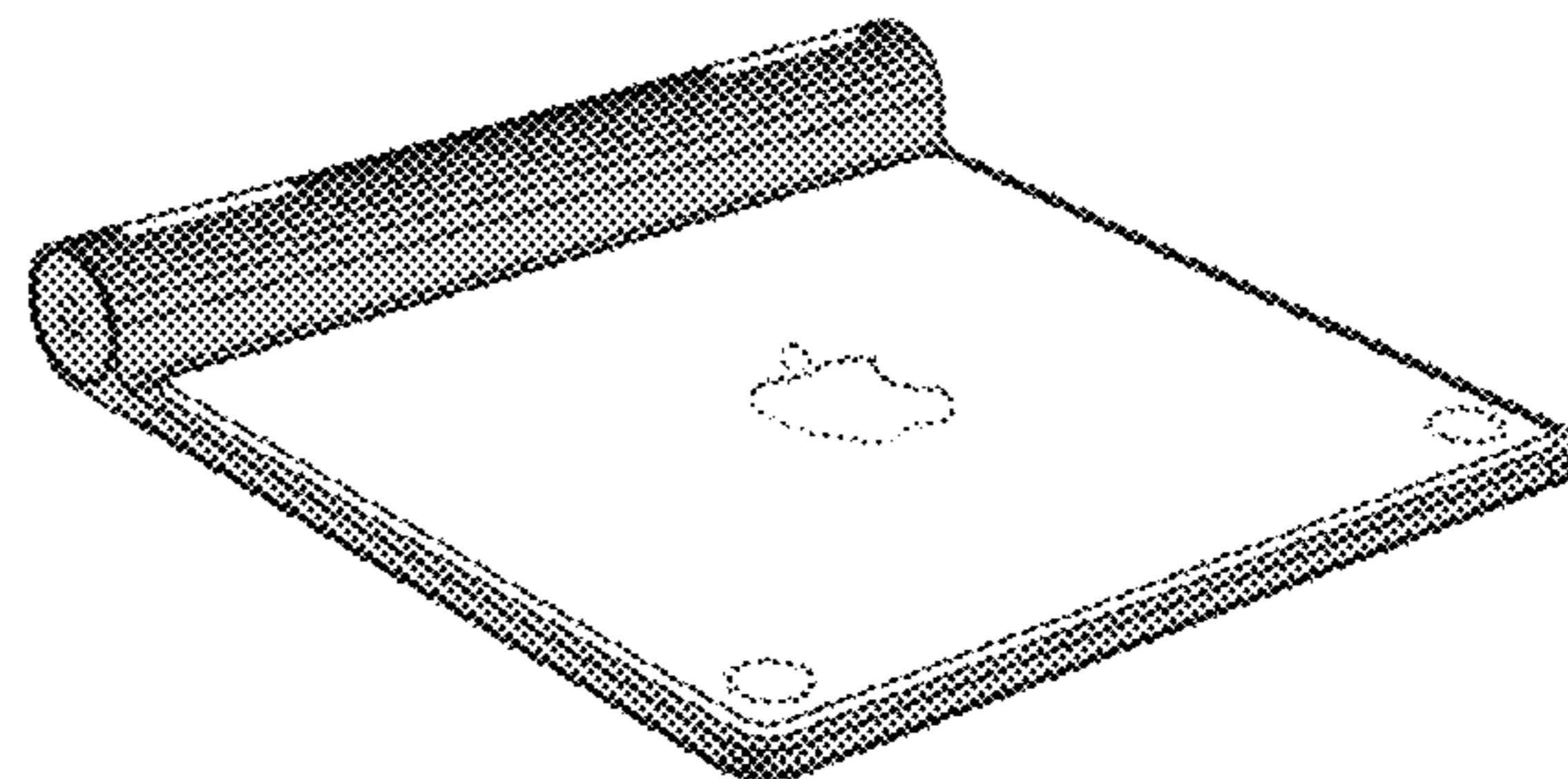
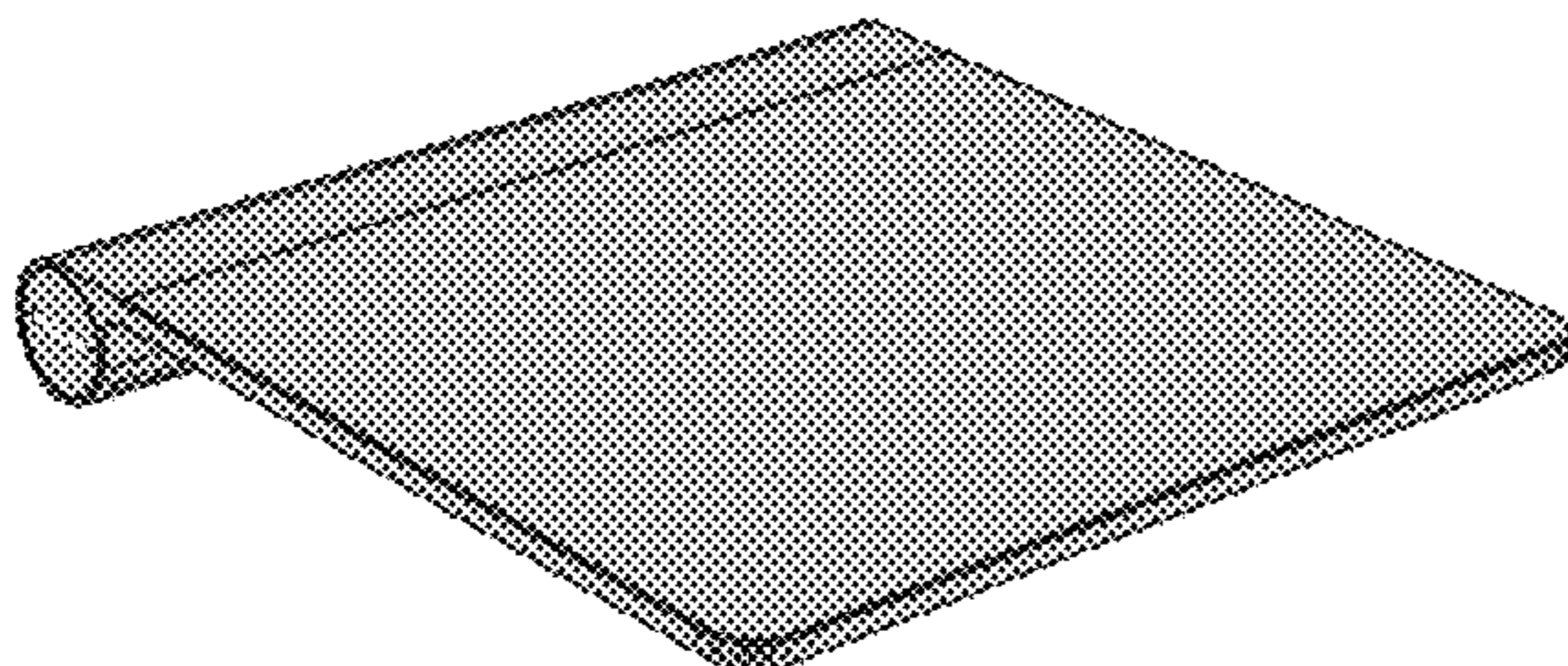
FIG. 10 is a rear view thereof.

The broken lines in the drawing illustrate portions of the
electronic device that form no part of the claimed design.

The shade lines on the surface of the electronic device indi-
cate contour and not surface decoration.

The gray shading on a portion of the electronic device repre-
sents a metallic-looking surface.

1 Claim, 5 Drawing Sheets



US D667,404 S

Page 2

U.S. PATENT DOCUMENTS

D310,209 S 8/1990 Kasprzycki
D316,549 S 4/1991 Hampf
D321,865 S 11/1991 Derocher
D334,398 S 3/1993 Conard
5,231,380 A * 7/1993 Logan 345/156
D338,452 S 8/1993 Allgeier
D345,564 S 3/1994 Kadono et al.
D346,366 S * 4/1994 Kim et al. D14/342
D348,661 S * 7/1994 Hansen et al. D14/389
D350,555 S * 9/1994 Field et al. D16/221
D354,947 S * 1/1995 Peart D14/341
D362,662 S * 9/1995 Baudot D14/389
D364,389 S * 11/1995 Shimizu D14/389
D377,169 S * 1/1997 Chida D14/389
D377,789 S * 2/1997 Wang et al. D14/390
D378,211 S * 2/1997 Kuo D14/390
D386,751 S * 11/1997 Michael, III D14/346
D388,826 S 1/1998 Jones-Fenleigh et al.
D390,211 S * 2/1998 Yates et al. D14/341
D390,861 S * 2/1998 Liao D16/225
D395,639 S * 6/1998 Ham et al. D14/389
D430,872 S * 9/2000 Tamaki et al. D14/345
D436,951 S 1/2001 Andresen
D447,136 S 8/2001 Groves et al.
D449,606 S 10/2001 Lee et al.
D462,679 S * 9/2002 Liu D14/341
D483,361 S 12/2003 Yao et al.
6,680,731 B2 1/2004 Gerpheide et al.
D529,910 S 10/2006 Ota
D532,048 S * 11/2006 Delaney D19/88
7,167,158 B2 1/2007 Silverbrook
D576,618 S 9/2008 Wong

D588,126 S 3/2009 Chiang et al.
7,548,220 B2 6/2009 Silverbrook
7,567,221 B2 7/2009 Silverbrook
D598,451 S 8/2009 Andre et al.
D604,733 S * 11/2009 Andre et al. D14/374
D612,081 S * 3/2010 Ding et al. D26/37
D625,310 S 10/2010 Andre et al.
D626,550 S * 11/2010 Julien D14/341
D628,569 S * 12/2010 Guo D14/341
D628,997 S * 12/2010 Daniel D14/341
D628,998 S * 12/2010 Wu et al. D14/391
D630,355 S * 1/2011 Gulker D26/37
D630,638 S * 1/2011 Wu et al. D14/455
D633,093 S 2/2011 Andre et al.
D633,149 S * 2/2011 Parshad D19/91
D641,021 S 7/2011 Andre et al.
8,009,422 B2 * 8/2011 Misawa 361/679.55
D645,179 S * 9/2011 Gulker D26/37
D649,549 S * 11/2011 Andre et al. D14/392
2002/0069364 A1 * 6/2002 Dosch 713/200
2007/0113440 A1 * 5/2007 Asvadi 40/544
2007/0241002 A1 * 10/2007 Wu et al. 206/150

OTHER PUBLICATIONS

U.S. Appl. No. 29/361,522, filed May 12, 2010, entitled "Electronic Device".
U.S. Appl. No. 29/361,525, filed May 12, 2010, entitled "Electronic Device".
U.S. Appl. No. 29/361,553, filed May 12, 2010, entitled "Keyboard".
U.S. Appl. No. 29/367,620, filed Aug. 10, 2010, entitled "Keyboard".
U.S. Appl. No. 29/339,181 entitled "Keyboard" filed Jun. 25, 2009.

* cited by examiner

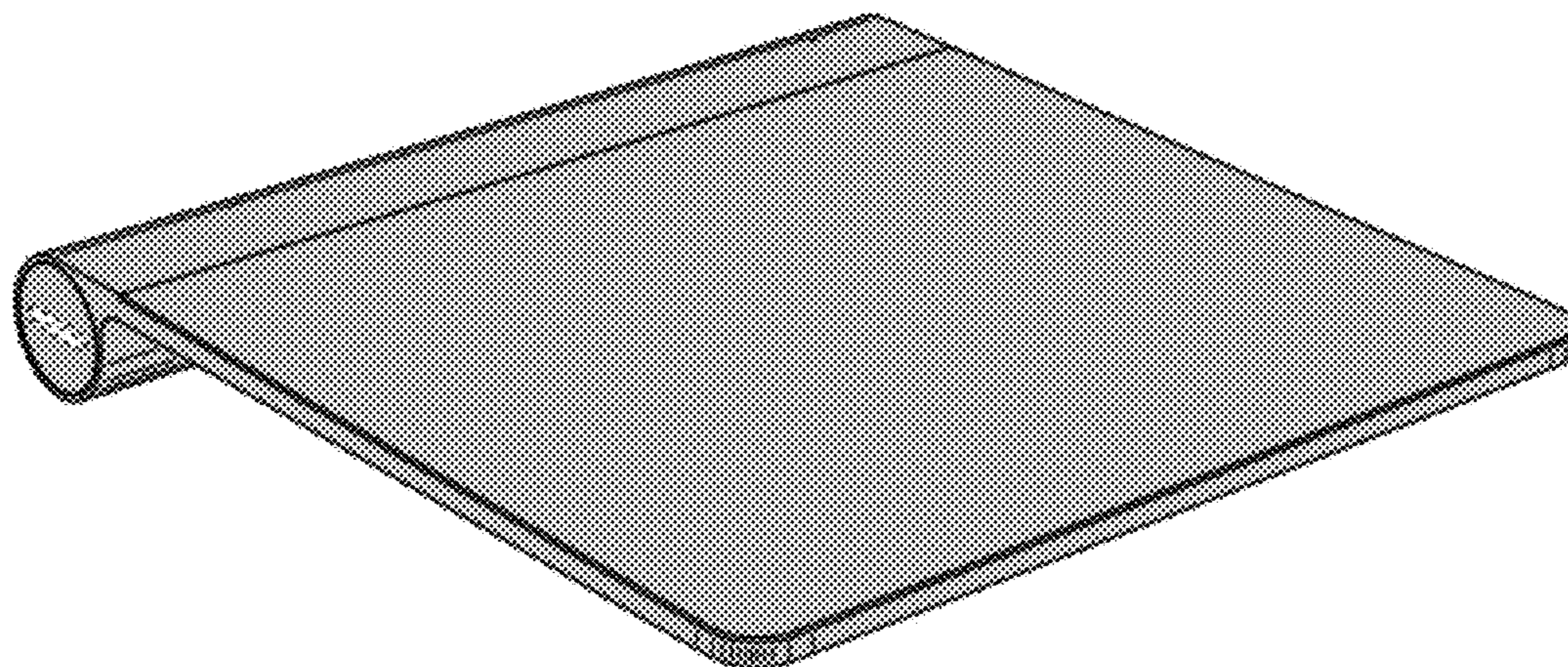


Fig. 1

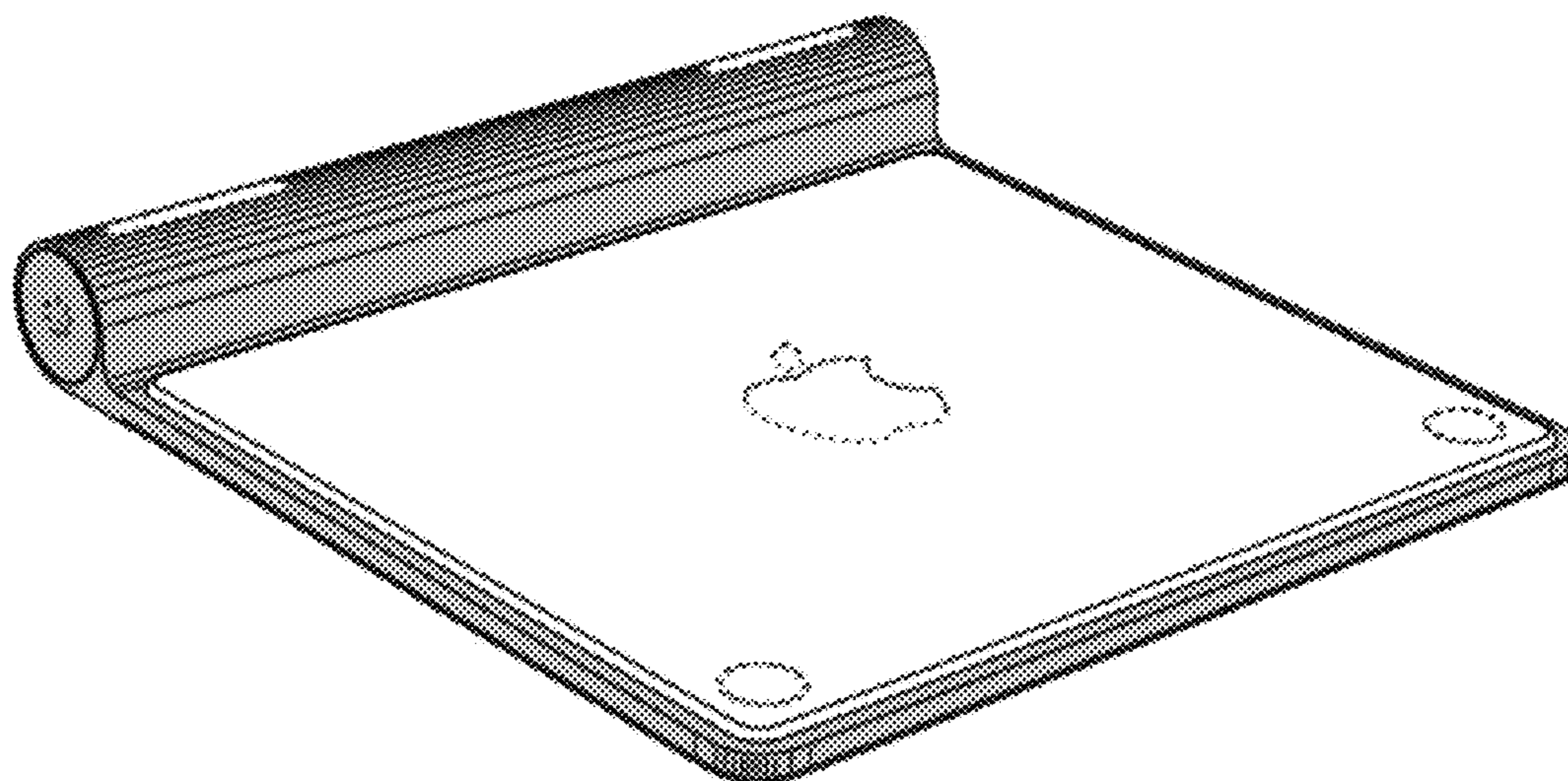


Fig. 2

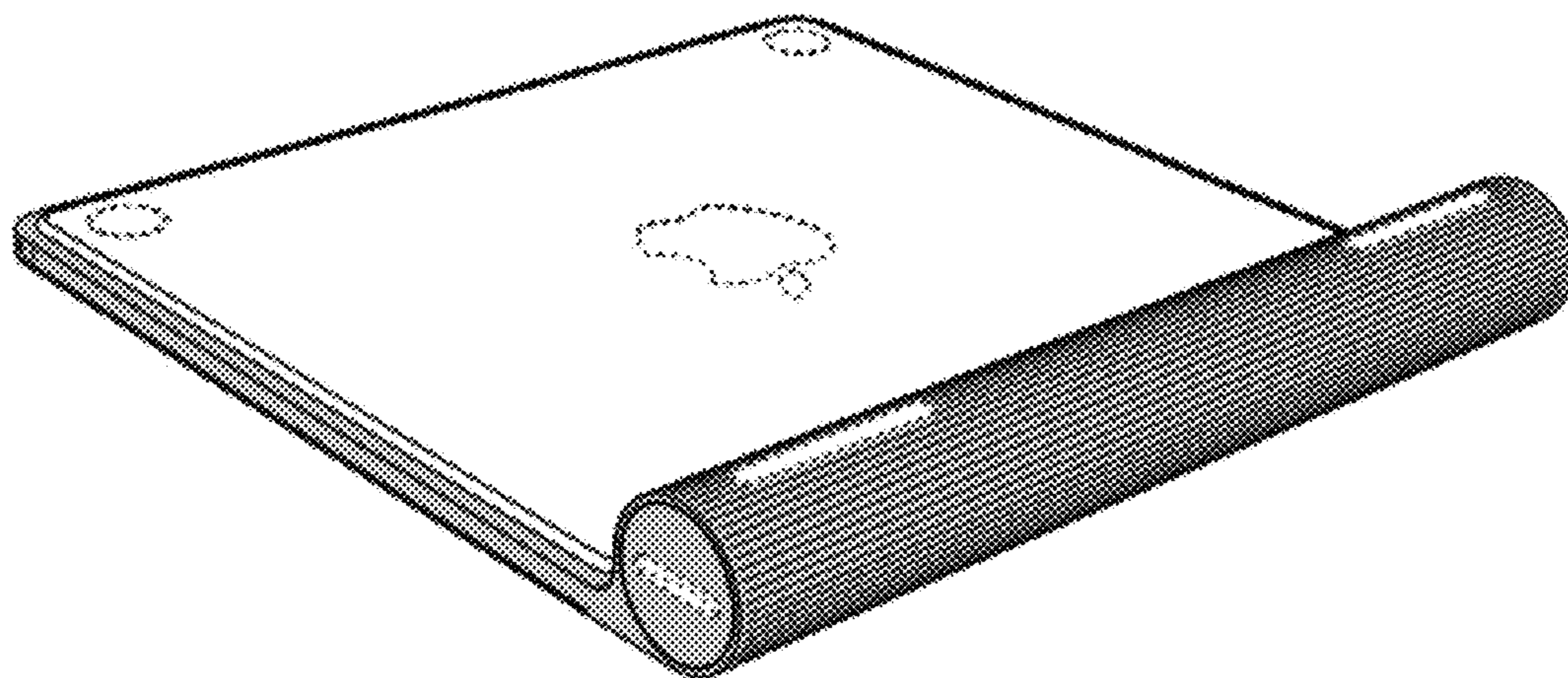


Fig. 3

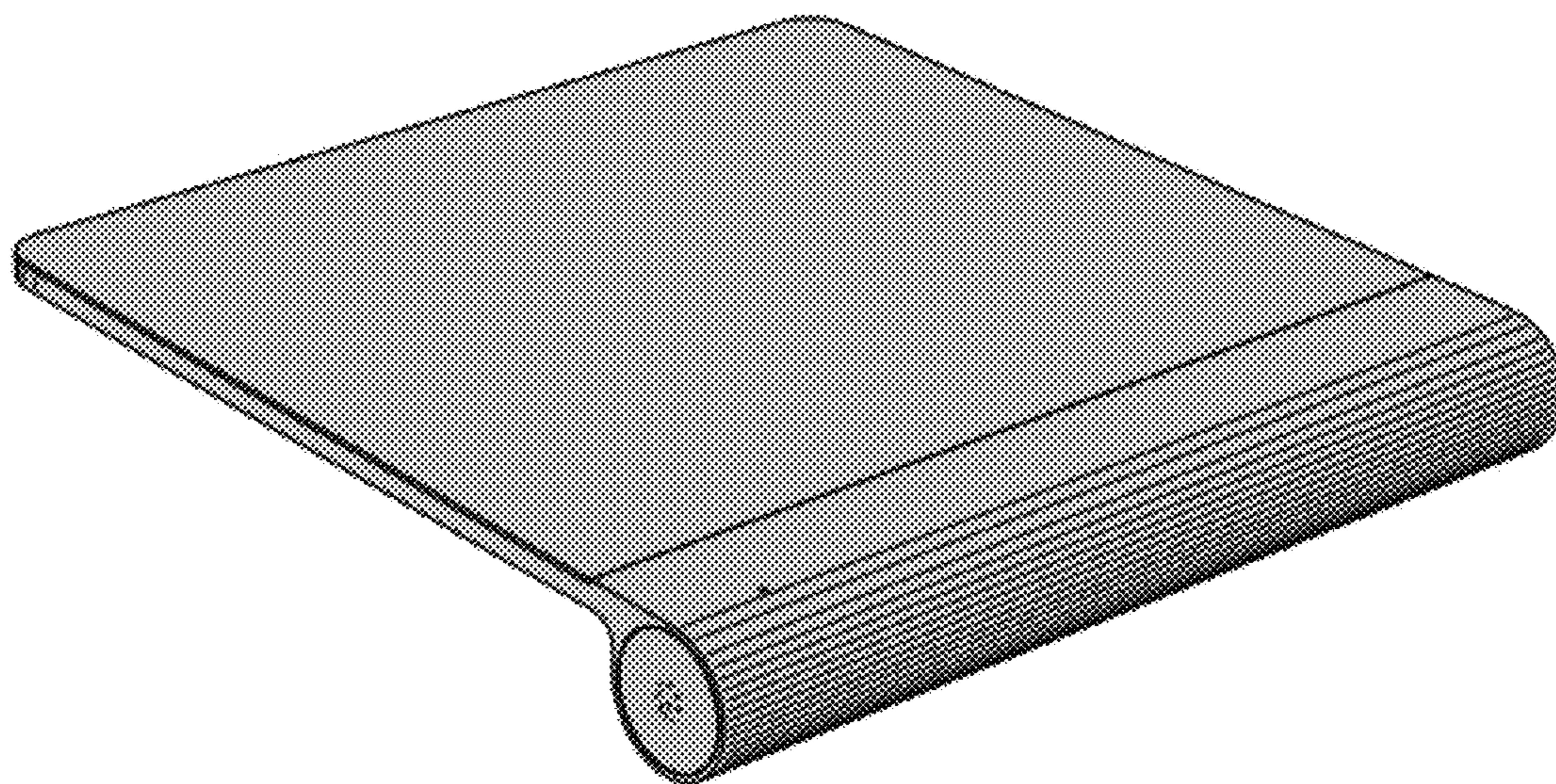


Fig. 4

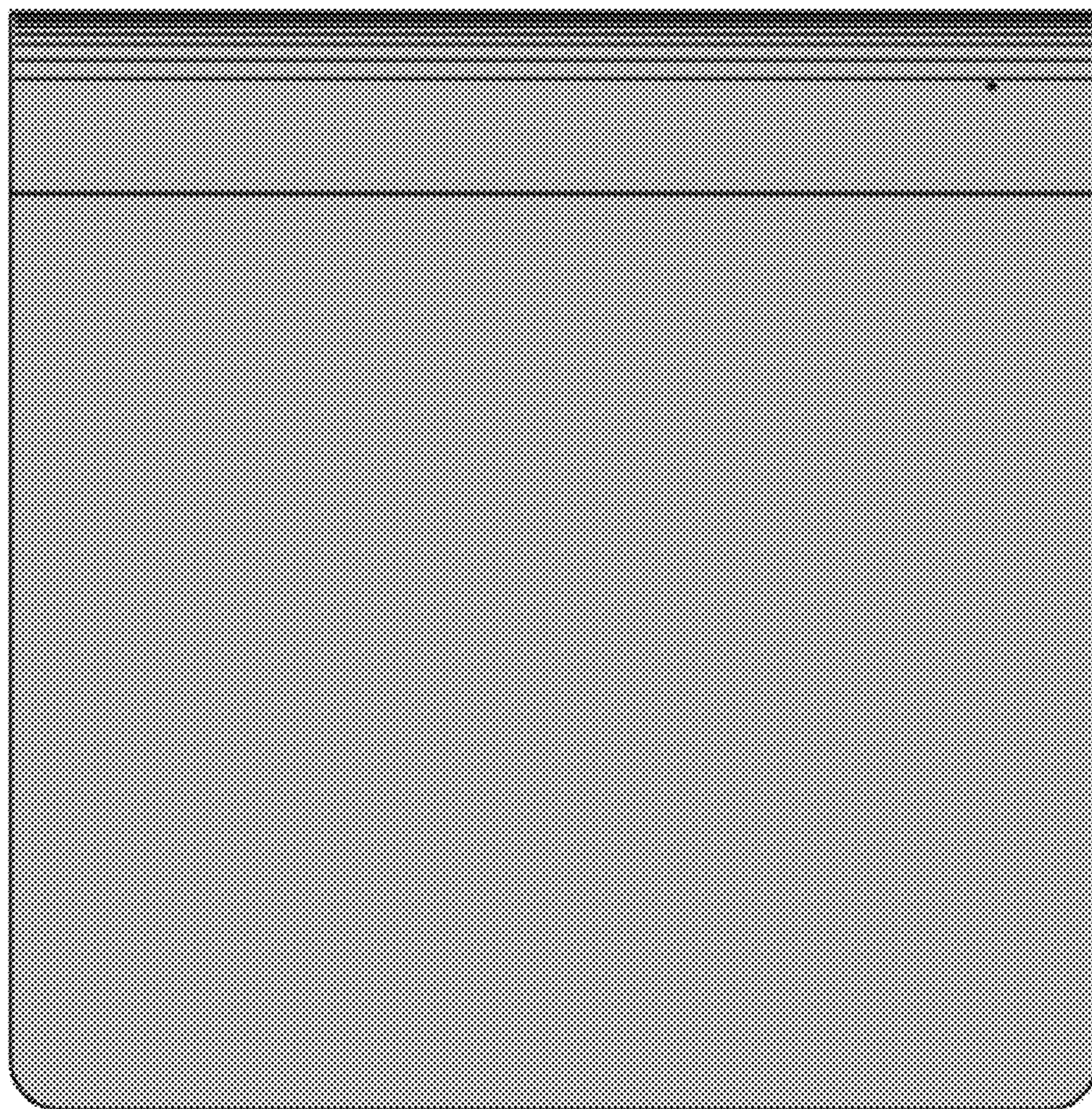


Fig. 5



Fig. 6

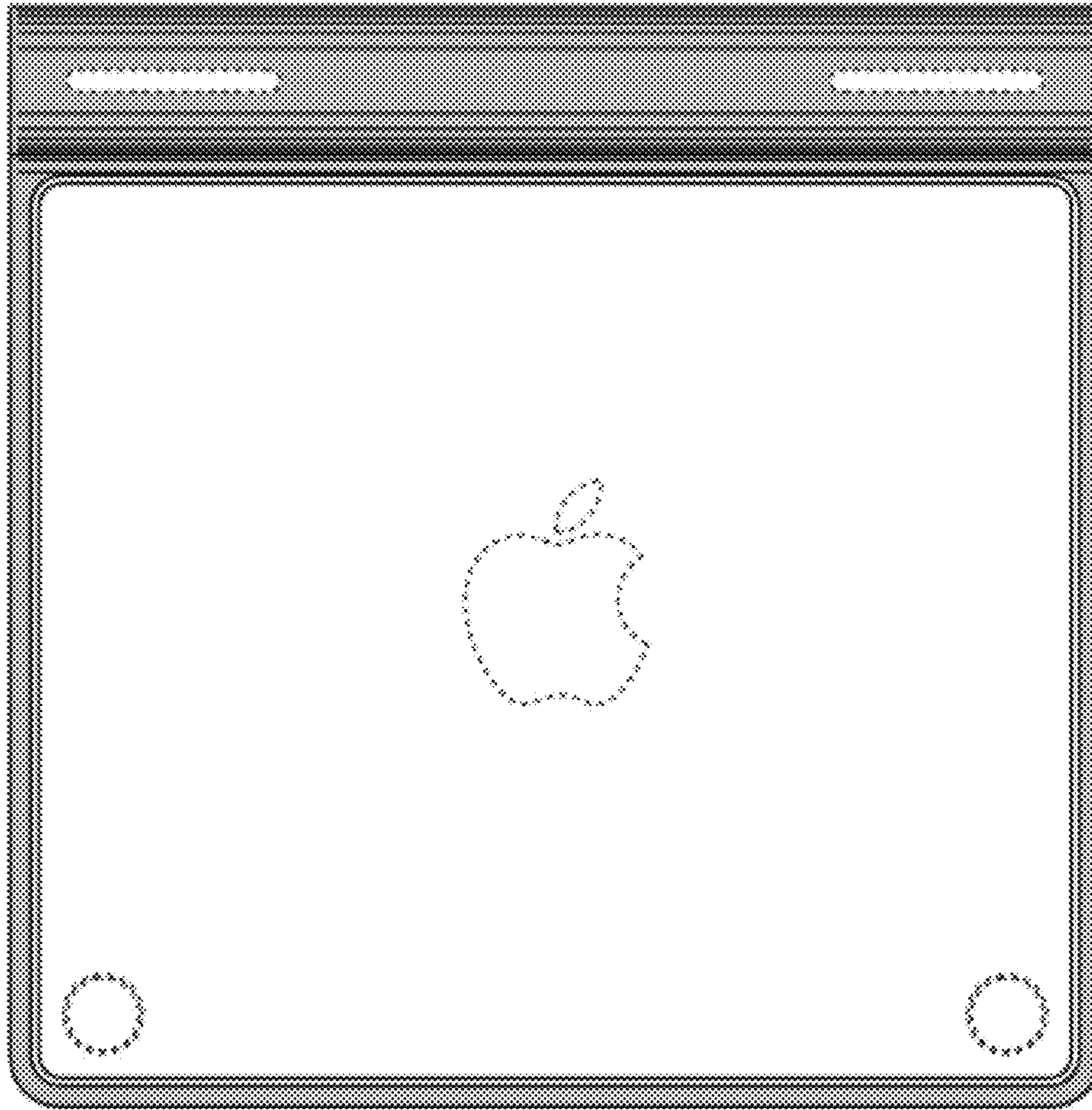


Fig. 7

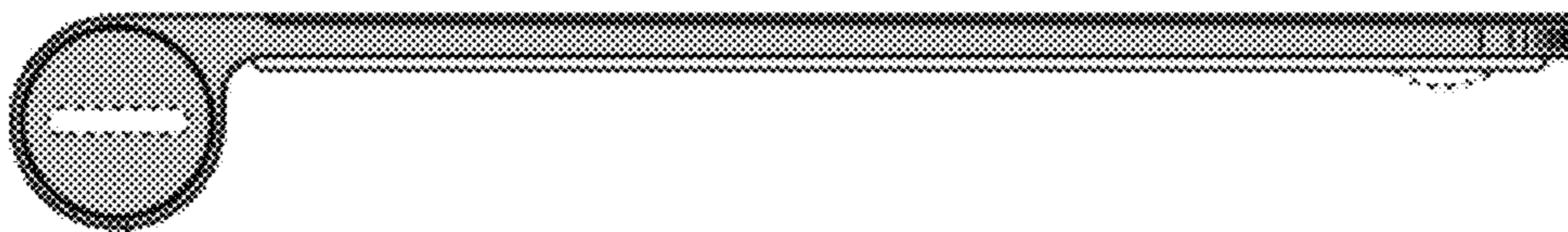


Fig. 8

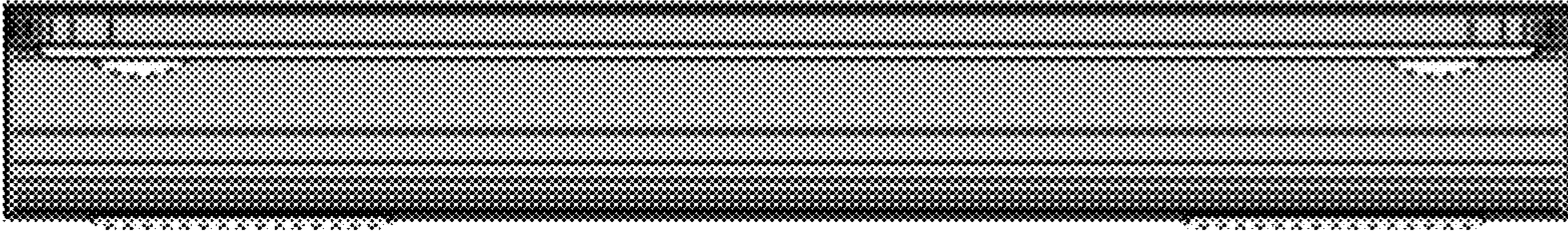


Fig. 9

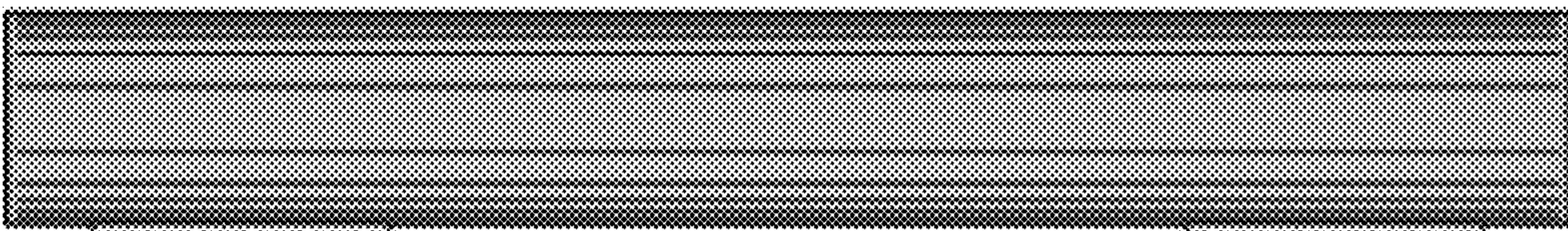


Fig. 10