

US00D667394S

(12) **United States Design Patent**
Bau

(10) **Patent No.:** **US D667,394 S**
(45) **Date of Patent:** **** Sep. 18, 2012**

(54) **COMBINATION OF PROTECTIVE CASING AND STAND FOR PORTABLE HANDHELD ELECTRONIC DEVICE**

(75) Inventor: **Chi Yun Steven Bau**, Kowloon (HK)

(73) Assignee: **SwitchEasy Limited**, Kowloon (HK)

(**) Term: **14 Years**

(21) Appl. No.: **29/376,594**

(22) Filed: **Oct. 8, 2010**

(30) **Foreign Application Priority Data**

Apr. 13, 2010 (HK) 1000653.6M002

(51) **LOC (9) Cl.** **14-03**

(52) **U.S. Cl.** **D14/250; D14/132**

(58) **Field of Classification Search** D14/239,
D14/125-134, 451-454, 224, 316, 375-377,
D14/432, 439, 447, 448, 455, 457, 469; D8/363,
D8/373, 349, 394; 248/278.1, 279.1, 514,
248/291.1, 125.1, 121, 124.1, 125.7, 276.1,
248/415, 284.1, 286.1, 281.11, 292.11, 181.2,
248/917-921, 126-128, 133, 178.1, 183.1,
248/183.2, 346.01, 346.03, 349.1, 371, 473,
248/474, 512; 348/825, 827, 836, 837; 600/443
See application file for complete search history.

(56) **References Cited**

U.S. PATENT DOCUMENTS

D487,742 S *	3/2004	Huang et al.	D14/341
D488,469 S *	4/2004	Batsikas	D14/341
D593,319 S *	6/2009	Richardson et al.	D3/218
D600,013 S *	9/2009	McCune	D3/273
D609,276 S *	2/2010	Axel et al.	D19/86
D623,638 S *	9/2010	Richardson et al.	D14/250
D623,639 S *	9/2010	Richardson et al.	D14/250

* cited by examiner

Primary Examiner — Raphael Barkai
Assistant Examiner — Randall H Gholson
(74) *Attorney, Agent, or Firm* — Sughrue Mion, PLLC

(57) **CLAIM**

The ornamental design for a combination of protective casing and stand for portable handheld electronic device, as shown and described.

DESCRIPTION

FIG. 1 is a front perspective view of the combination of protective casing and stand for portable handheld electronic device in a folded state;

FIG. 2 is a front elevation view of thereof;

FIG. 3 is a rear elevation view thereof;

FIG. 4 is a right elevation view thereof;

FIG. 5 is a left elevation view thereof;

FIG. 6 is a top plan view thereof;

FIG. 7 is a bottom plan view thereof;

FIG. 8 is a perspective view of the combination of protective casing and stand for portable handheld electronic device in an open state;

FIG. 9 is a front elevation view of FIG. 8;

FIG. 10 is a rear elevation view of FIG. 8;

FIG. 11 is a right elevation view of FIG. 8;

FIG. 12 is a left elevation view of FIG. 8;

FIG. 13 is a top plan view of FIG. 8;

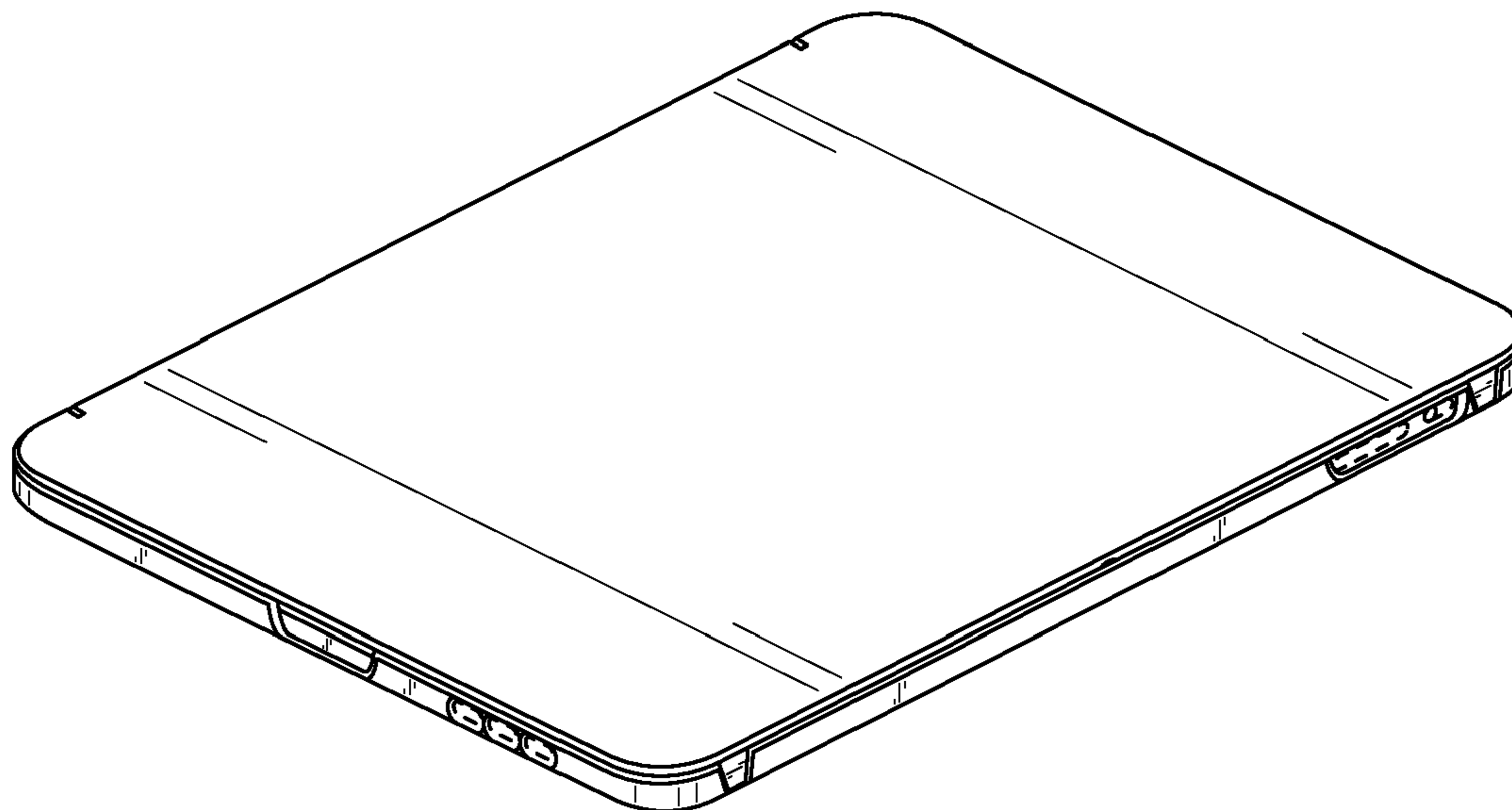
FIG. 14 is a bottom plan view of FIG. 8;

FIG. 15 is a perspective view illustrating the combination of protective casing and stand for portable handheld electronic device in use; and,

FIG. 16 is another perspective view illustrating the combination of protective casing and stand for portable handheld electronic device in use.

The broken lines showing an electronic device is included for the purpose of illustration only and forms no part of the claimed design.

1 Claim, 7 Drawing Sheets



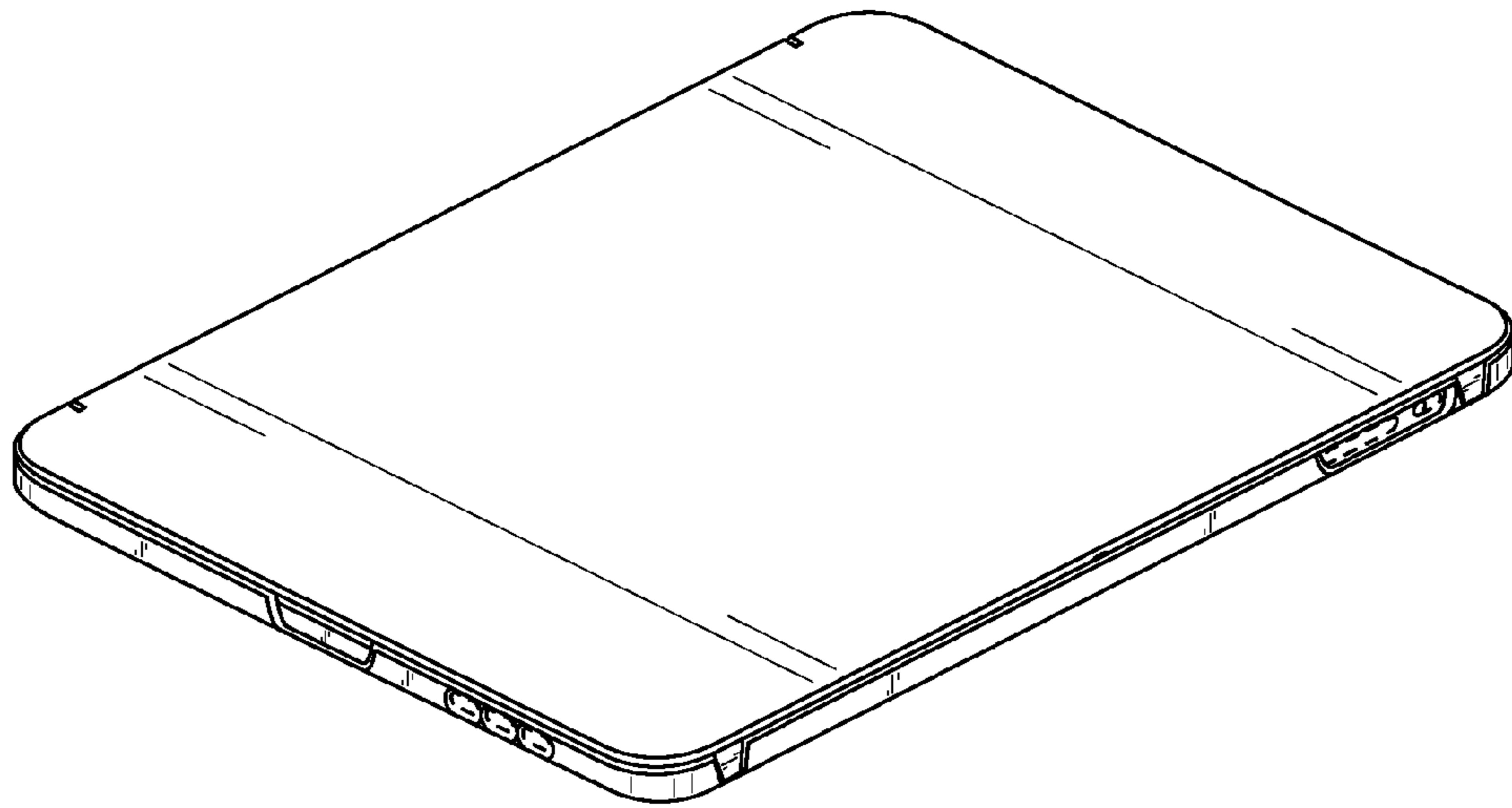


FIG. 1

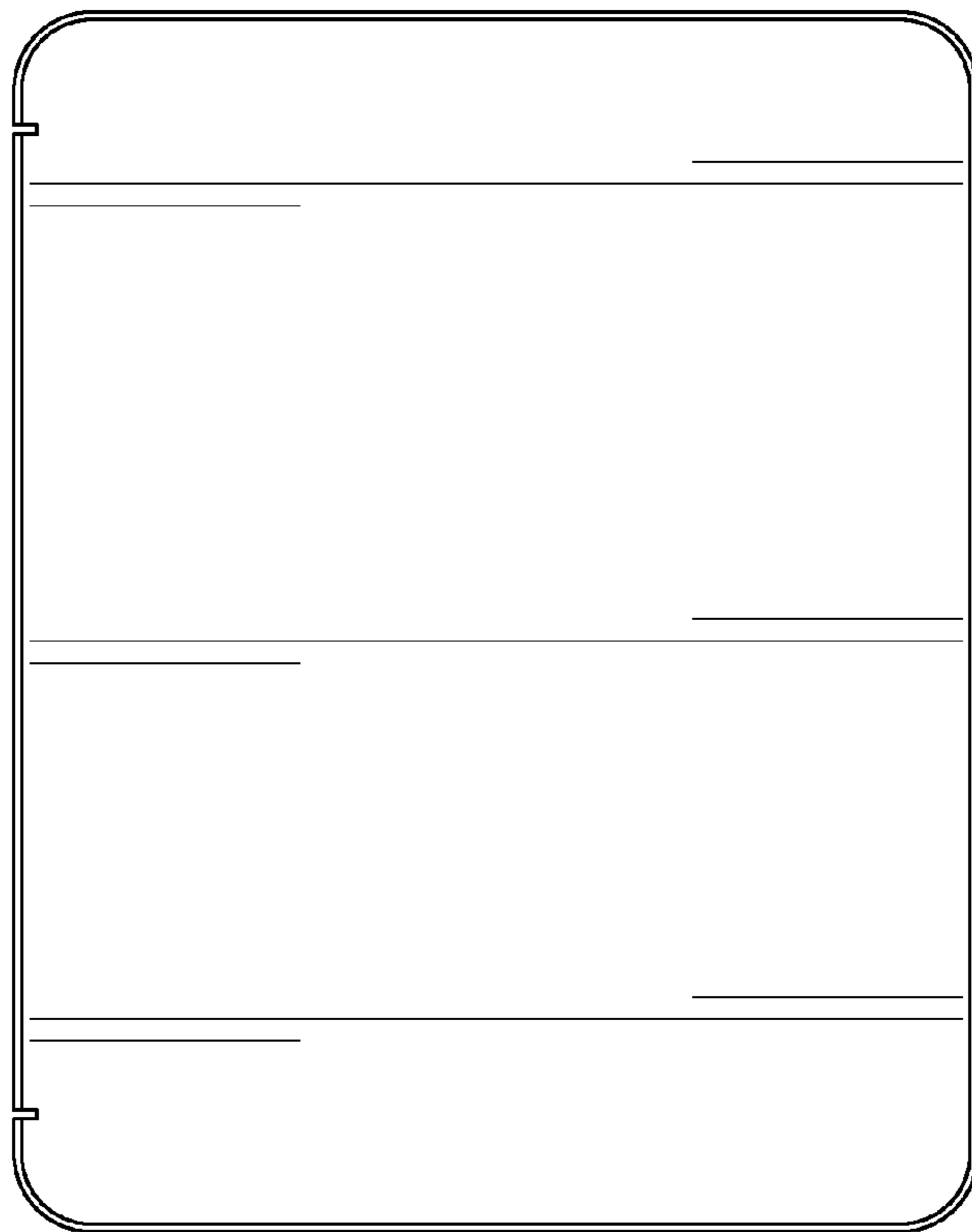


FIG. 2

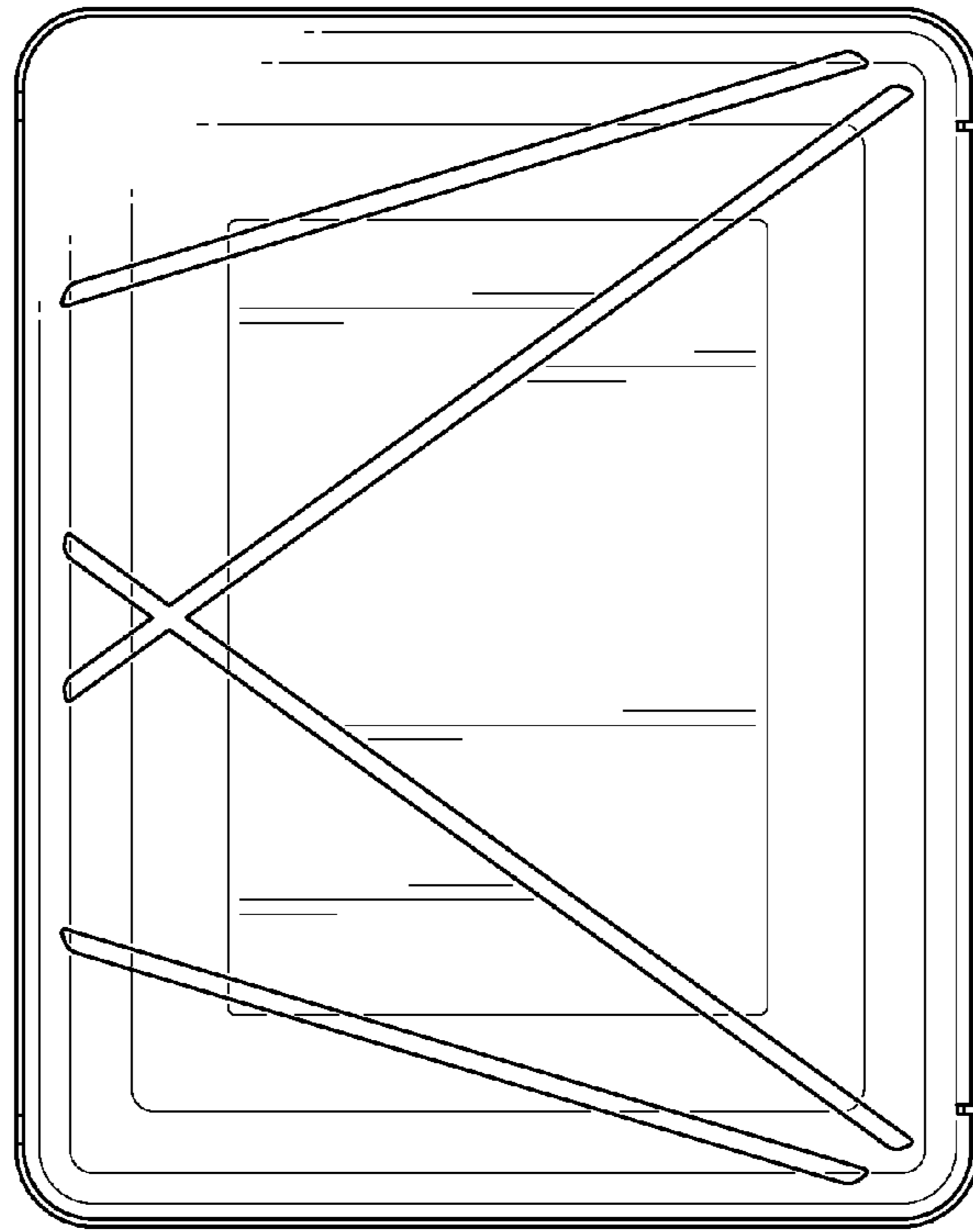


FIG. 3



FIG. 4



FIG. 5

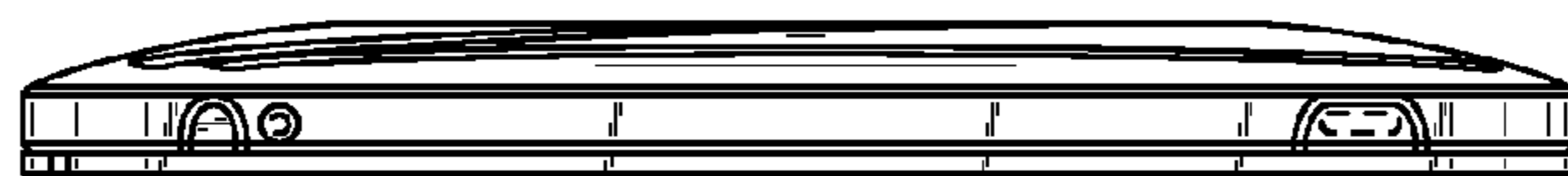


FIG. 6



FIG. 7

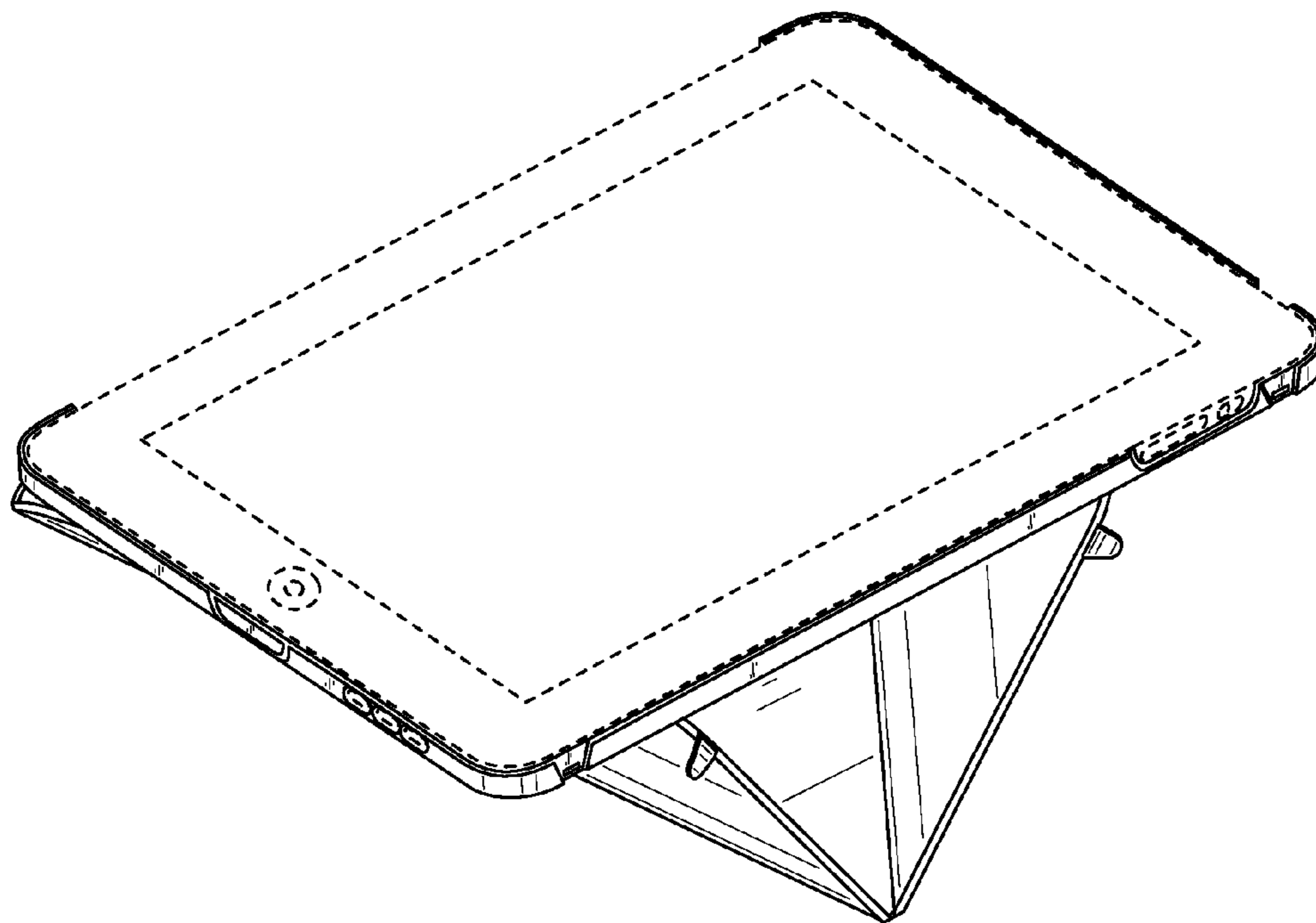


FIG. 8

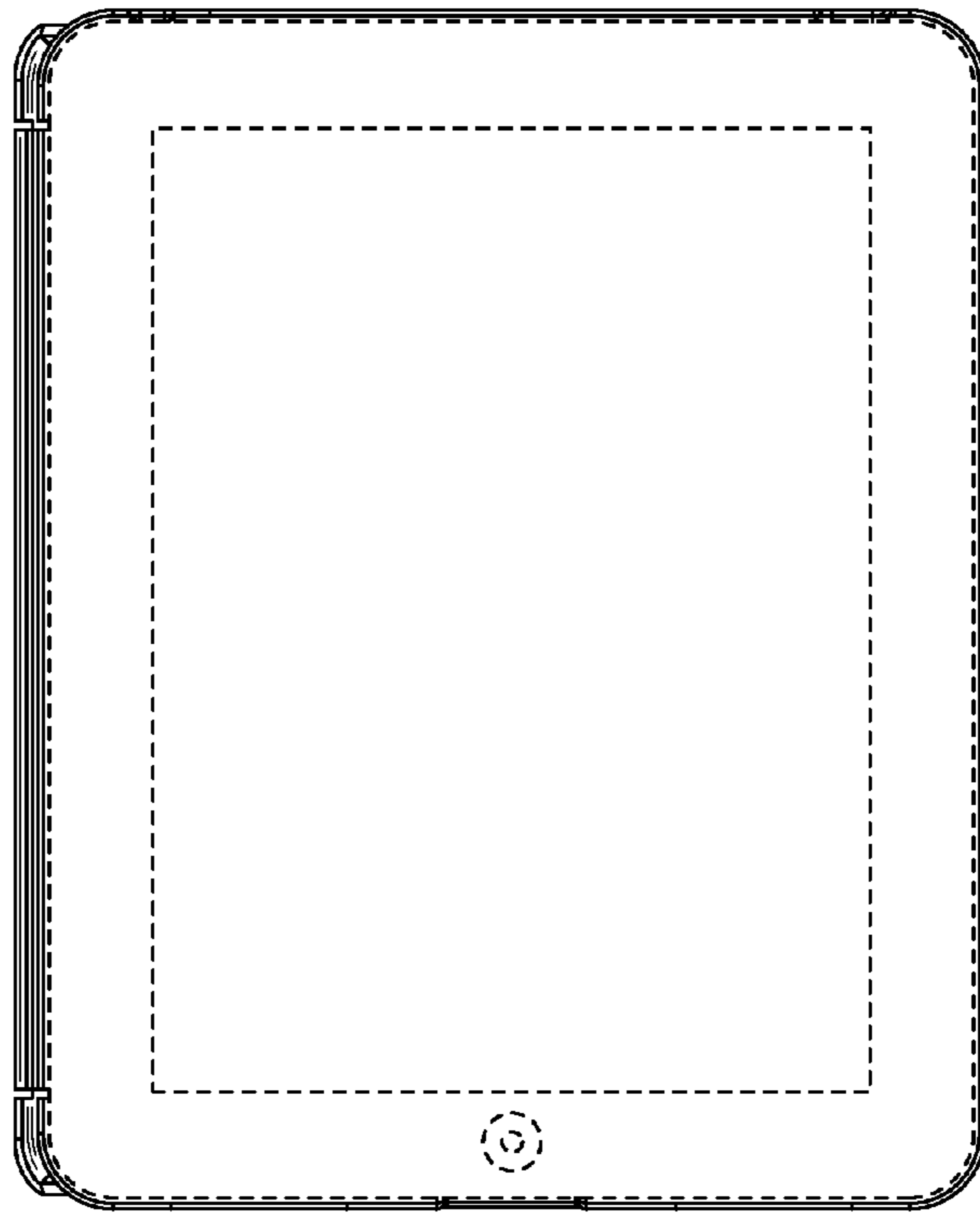


FIG. 9

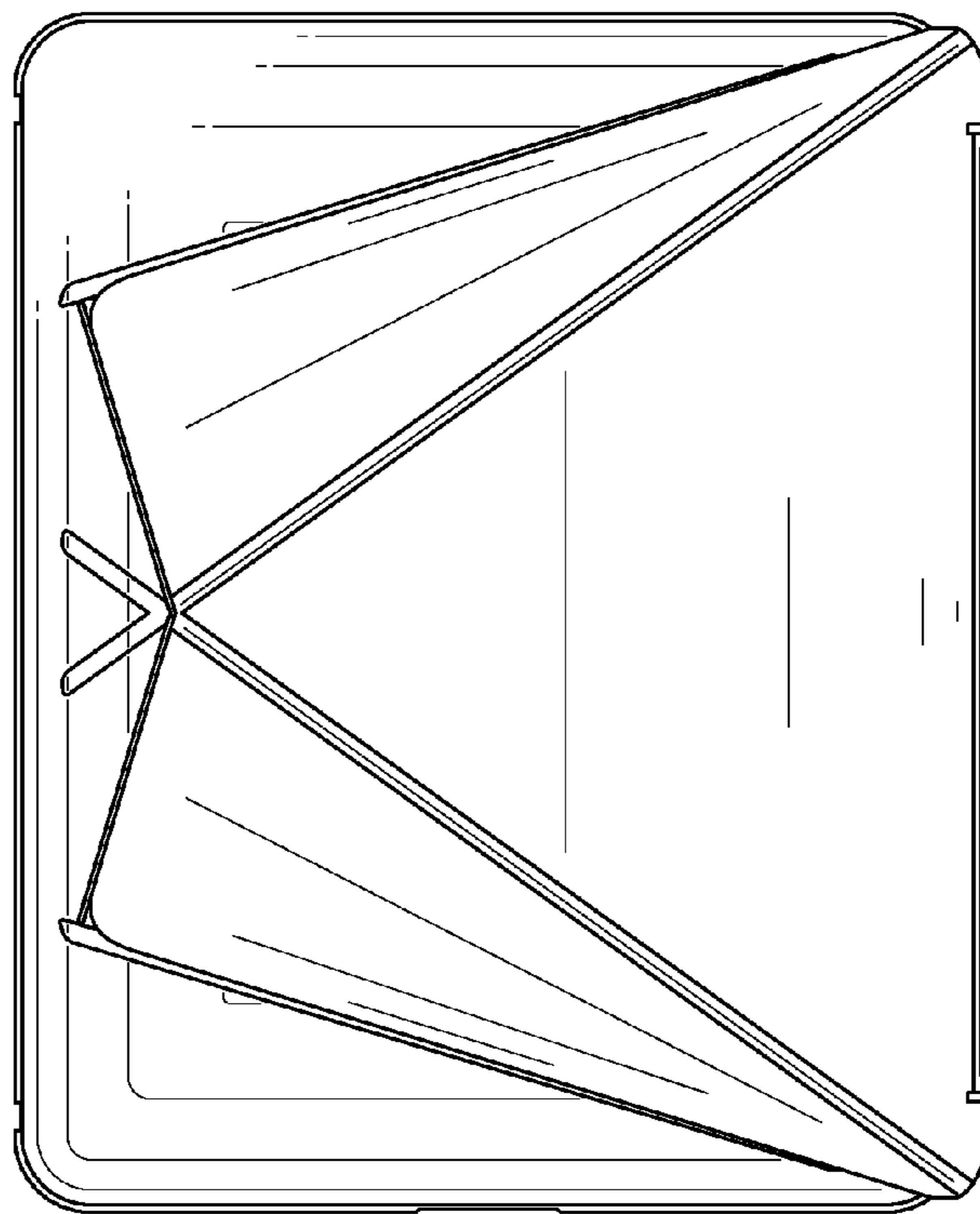


FIG. 10

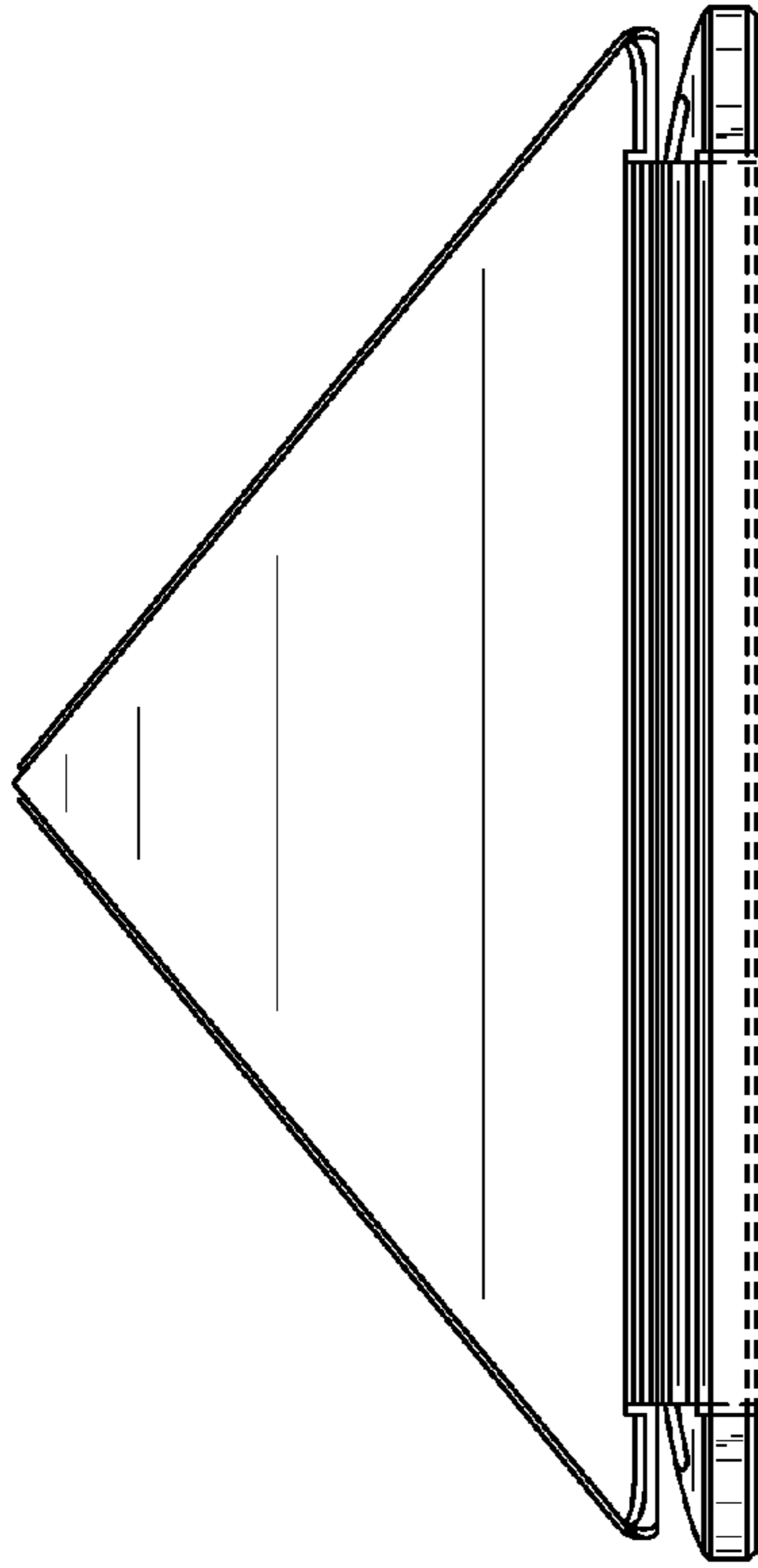


FIG. 11

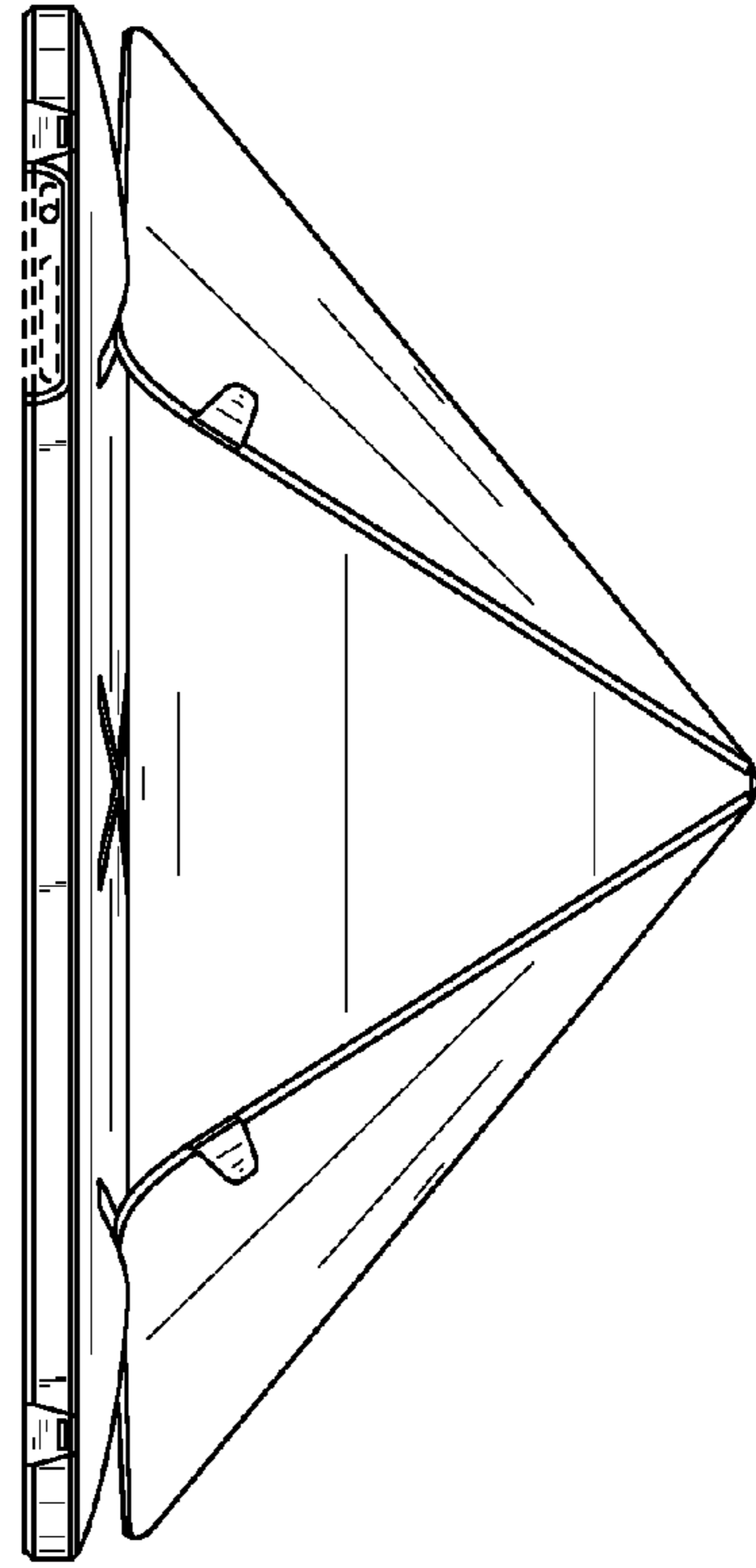


FIG. 12

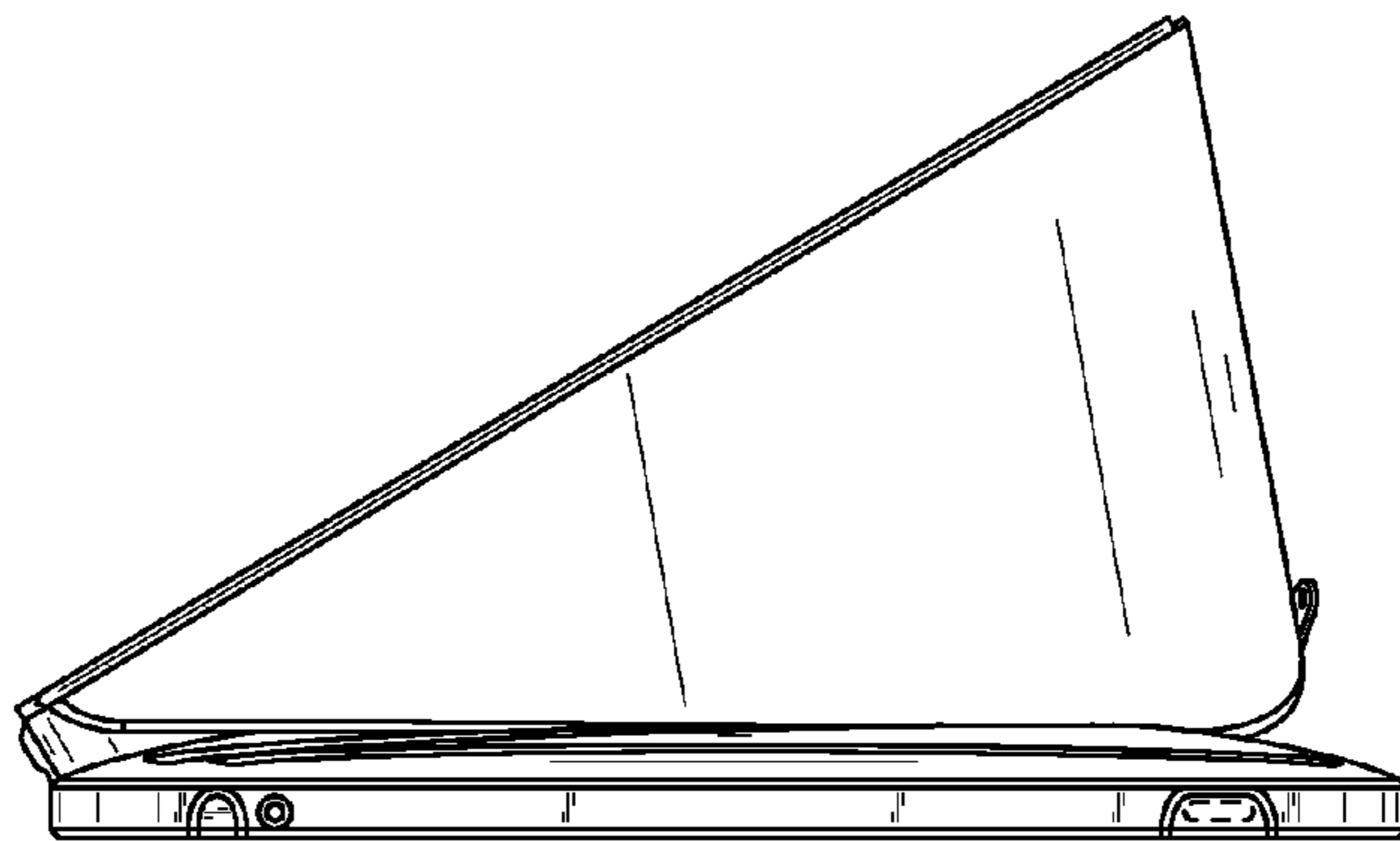


FIG. 13

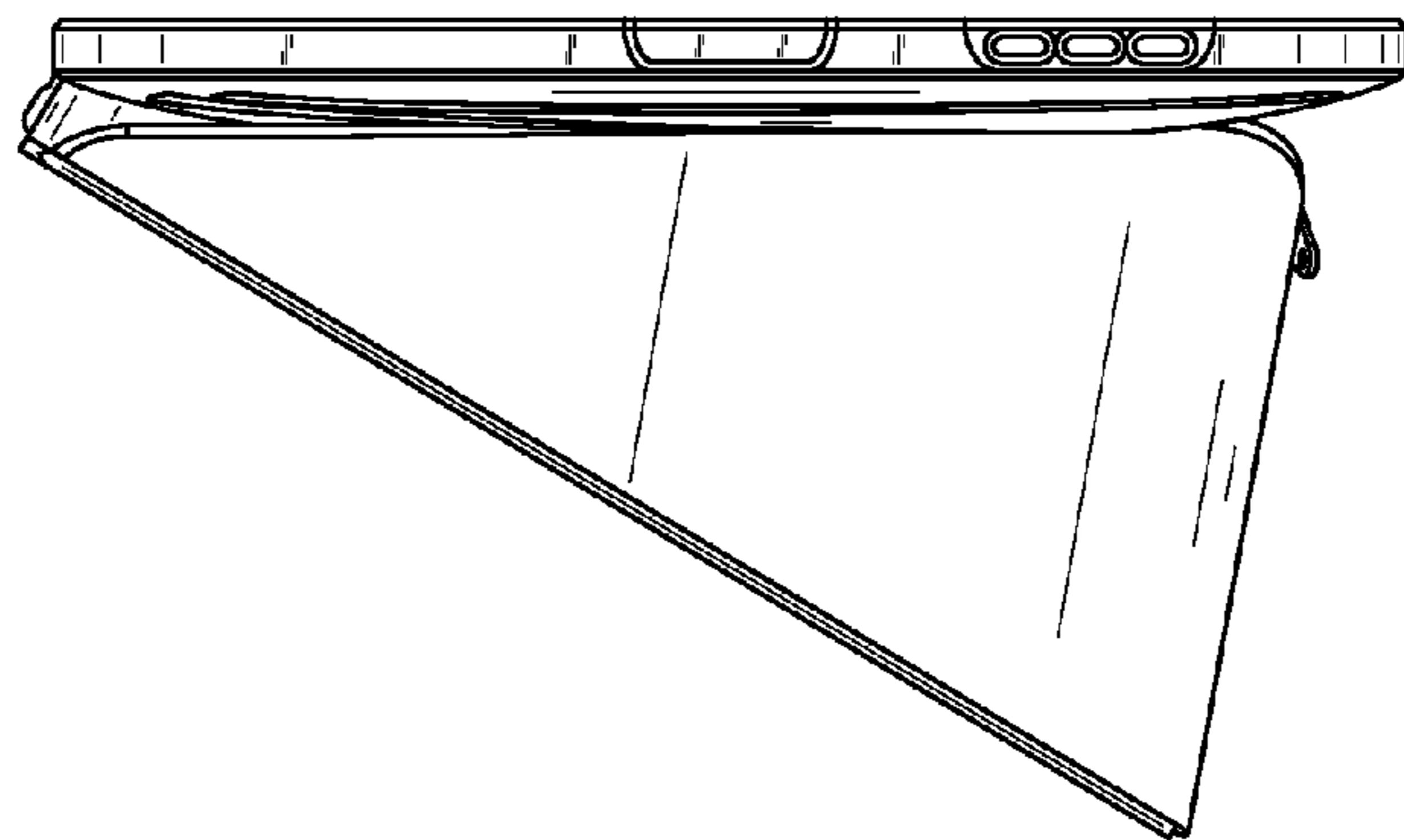


FIG. 14

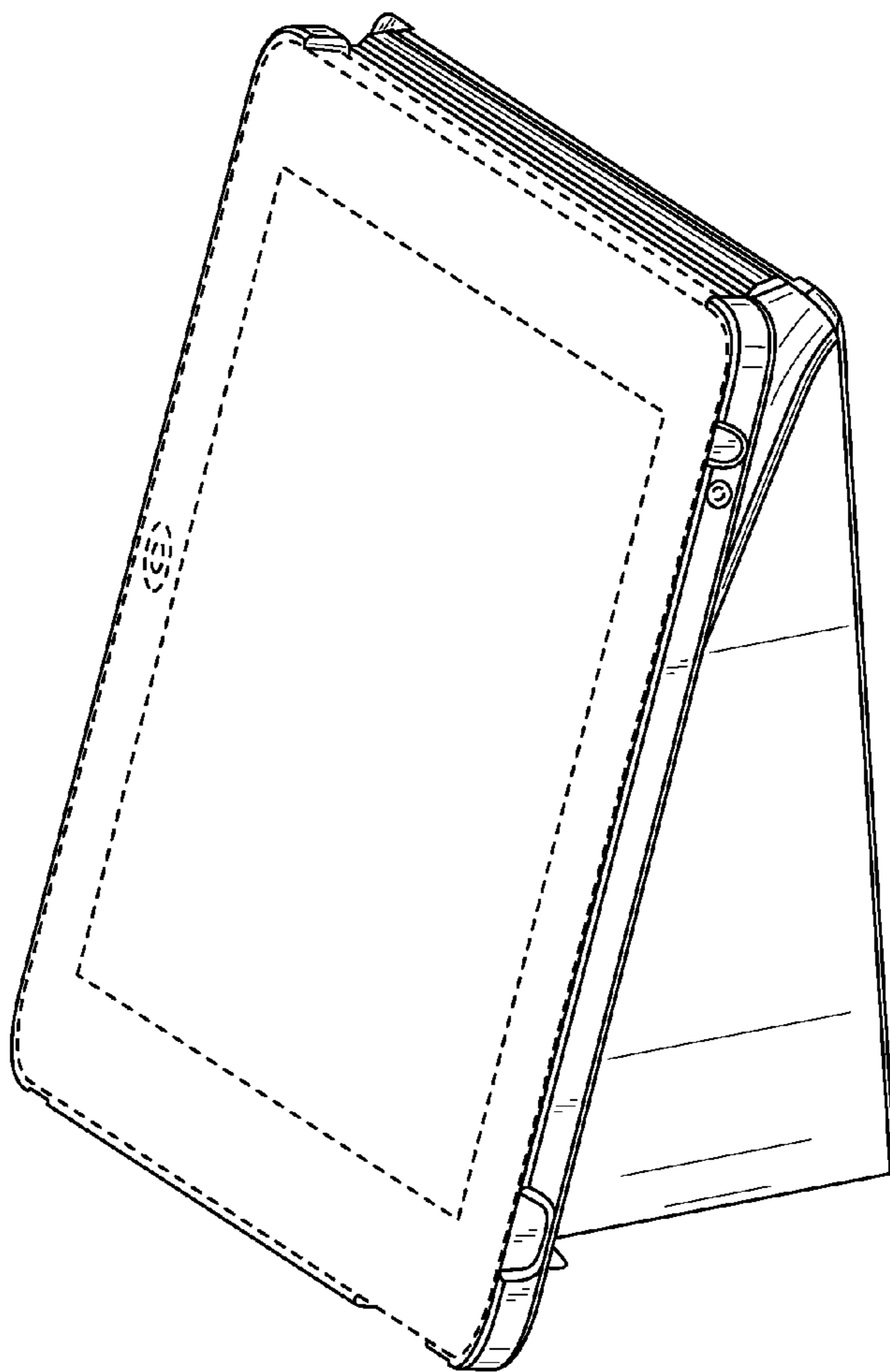


FIG. 15

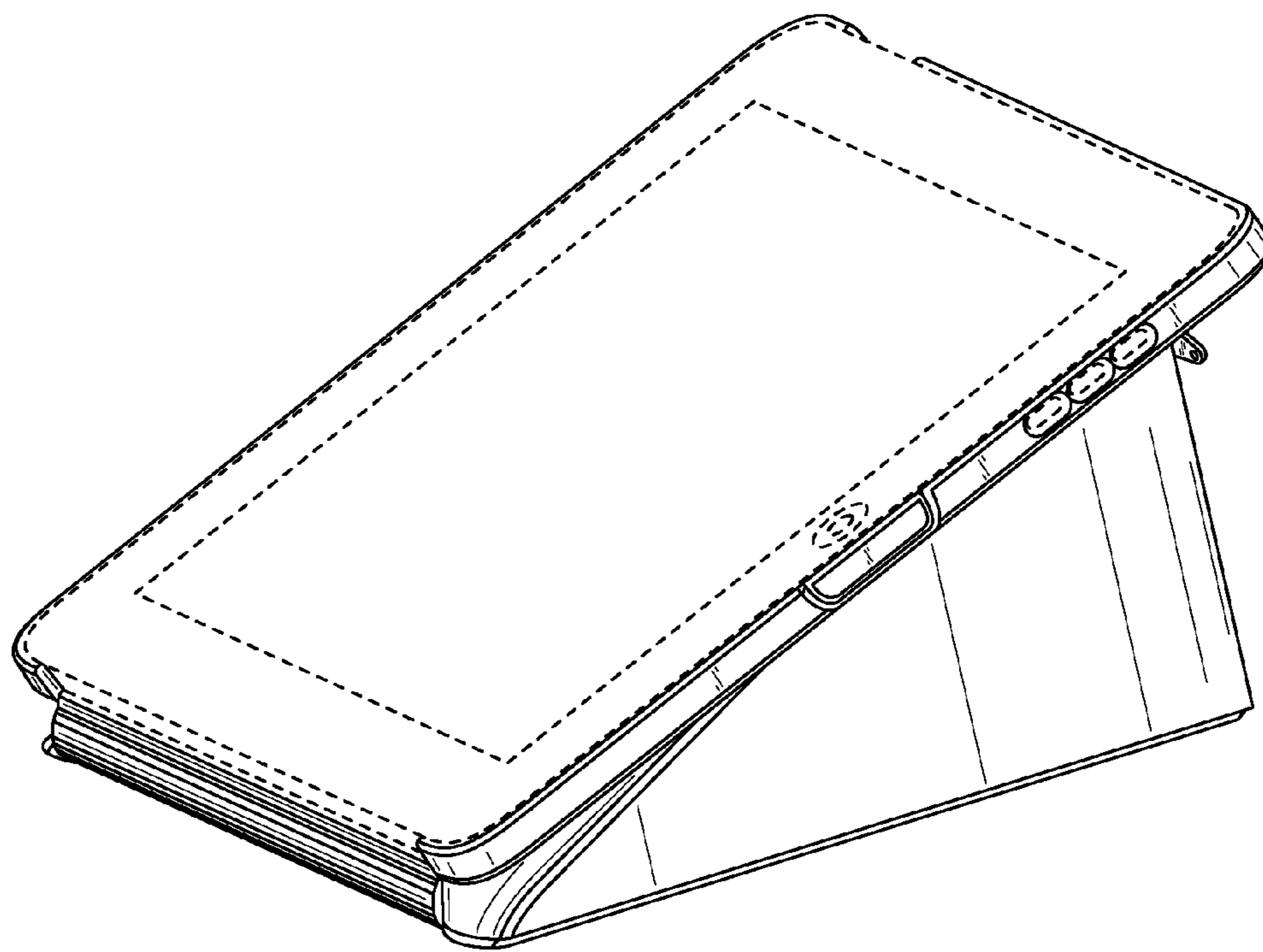


FIG. 16