



US00D667389S

(12) **United States Design Patent**
Yokoyama

(10) **Patent No.:** **US D667,389 S**
(45) **Date of Patent:** **** Sep. 18, 2012**

- (54) **SPEAKER BOX**
- (75) Inventor: **Hiroaki Yokoyama**, Tokyo (JP)
- (73) Assignee: **Sony Corporation**, Tokyo (JP)
- (**) Term: **14 Years**
- (21) Appl. No.: **29/371,526**
- (22) Filed: **Apr. 4, 2011**

- D467,572 S 12/2002 Narita
- D470,474 S 2/2003 Kobayashi
- D471,891 S 3/2003 Oikawa
- D475,991 S 6/2003 Hisatusne
- D476,310 S 6/2003 Hisatsune
- D476,311 S 6/2003 Hisatsune
- D491,166 S 6/2004 Hakoda
- D492,281 S 6/2004 Hakoda
- D494,958 S 8/2004 Solland
- D555,147 S 11/2007 Solland
- D563,391 S 3/2008 Skurdal
- D568,292 S 5/2008 Tsuge
- D575,770 S 8/2008 Lewis
- D587,676 S 3/2009 Alberdi Alorda
- D635,552 S 4/2011 Yokoyama

Related U.S. Application Data

- (63) Continuation-in-part of application No. 29/347,570, filed on Mar. 5, 2010, now Pat. No. Des. 635,552.

* cited by examiner

(30) **Foreign Application Priority Data**

Dec. 29, 2009 (JP) D2009-030710

- (51) **LOC (9) Cl.** **14-01**
- (52) **U.S. Cl.** **D14/209.1**; D14/217; D14/204
- (58) **Field of Classification Search** D14/204, D14/204.1, 210–216, 172; 181/143, 144, 181/147, 148, 150–153, 157, 198, 199; 381/300–306, 332, 333, 336, 345, 361–364
See application file for complete search history.

Primary Examiner — Prabhakar Deshmukh

(74) *Attorney, Agent, or Firm* — Rader, Fishman & Grauer PLLC

(57) **CLAIM**

The ornamental design for a speaker box, as shown and described.

DESCRIPTION

FIG. 1 is a front, top, right perspective view of a speaker box showing my new design;
 FIG. 2 is a rear, top, left perspective view thereof;
 FIG. 3 is a front elevational view thereof;
 FIG. 4 is a rear elevational view thereof;
 FIG. 5 is a left side elevational view thereof; and
 FIG. 6 is a right side elevational view thereof.
 FIG. 7 is a a front, top, right perspective view of another embodiment of a speaker box showing my new design;
 FIG. 8 is a front elevational view thereof;
 FIG. 9 is a rear elevational view thereof;
 FIG. 10 is a left side elevational view thereof; and,
 FIG. 11 is a right side elevational view thereof.
 Portions in broken lines are for illustrative purpose only and form no part of the claimed design. Dot-dash broken lines define the boundaries of, but not included in, the claimed design.

(56) **References Cited**

U.S. PATENT DOCUMENTS

- 3,371,742 A * 3/1968 Norton et al. 181/153
- D218,614 S * 9/1970 Yurdia D14/212
- 3,815,707 A * 6/1974 Burhoe 181/199
- D234,604 S * 3/1975 Shimizu D14/212
- 3,884,326 A * 5/1975 Orisek 181/155
- 3,931,867 A * 1/1976 Janszen 181/155
- D247,490 S 3/1978 Everidge
- D290,953 S * 7/1987 Sklaar et al. D14/211
- 4,805,729 A * 2/1989 Wascom 181/144
- D302,817 S * 8/1989 Macaulay D14/210
- D393,642 S 4/1998 Yuyama
- D435,540 S 12/2000 Peng
- 6,345,685 B1 * 2/2002 Wells et al. 181/153

1 Claim, 8 Drawing Sheets

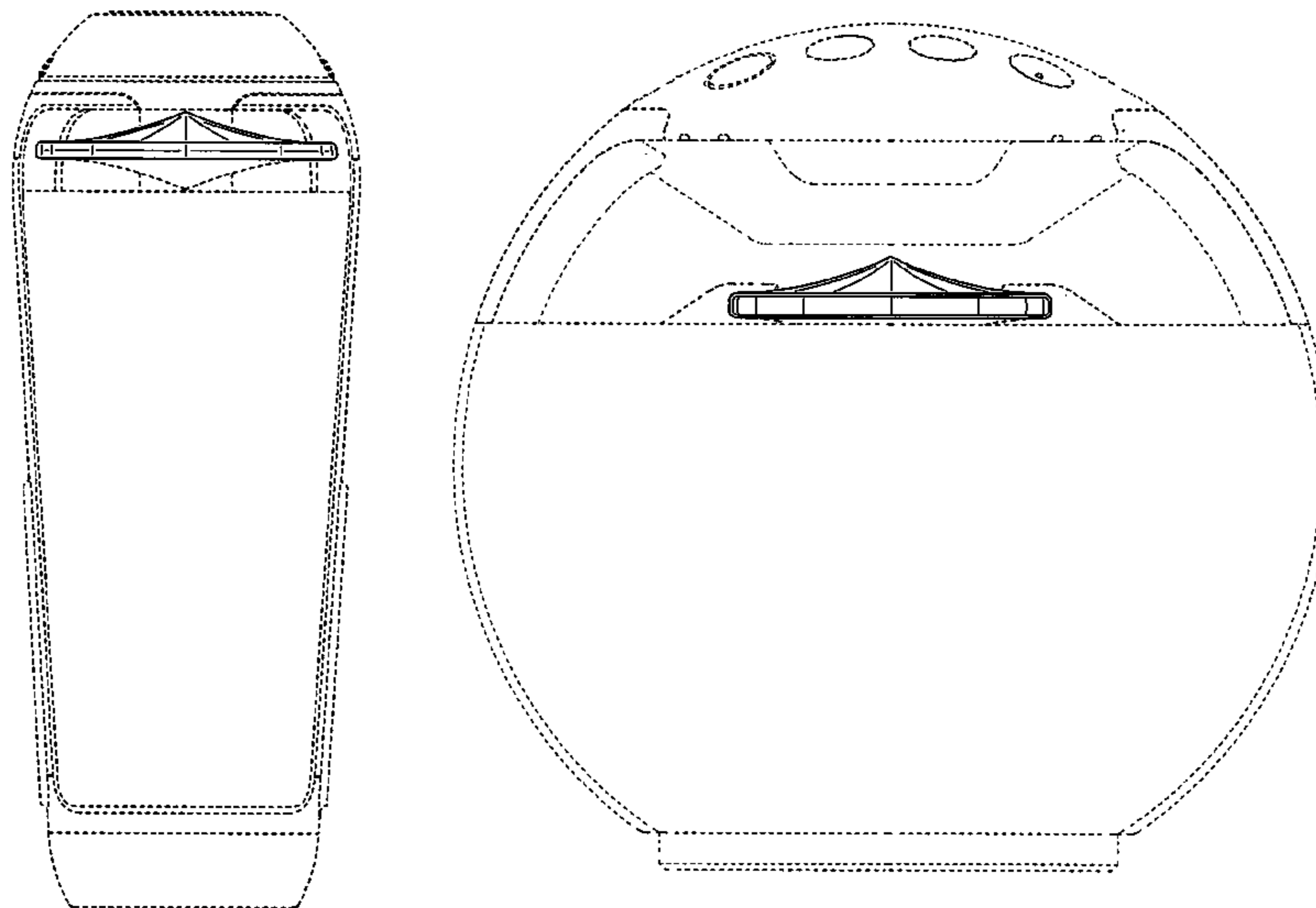


FIG.1

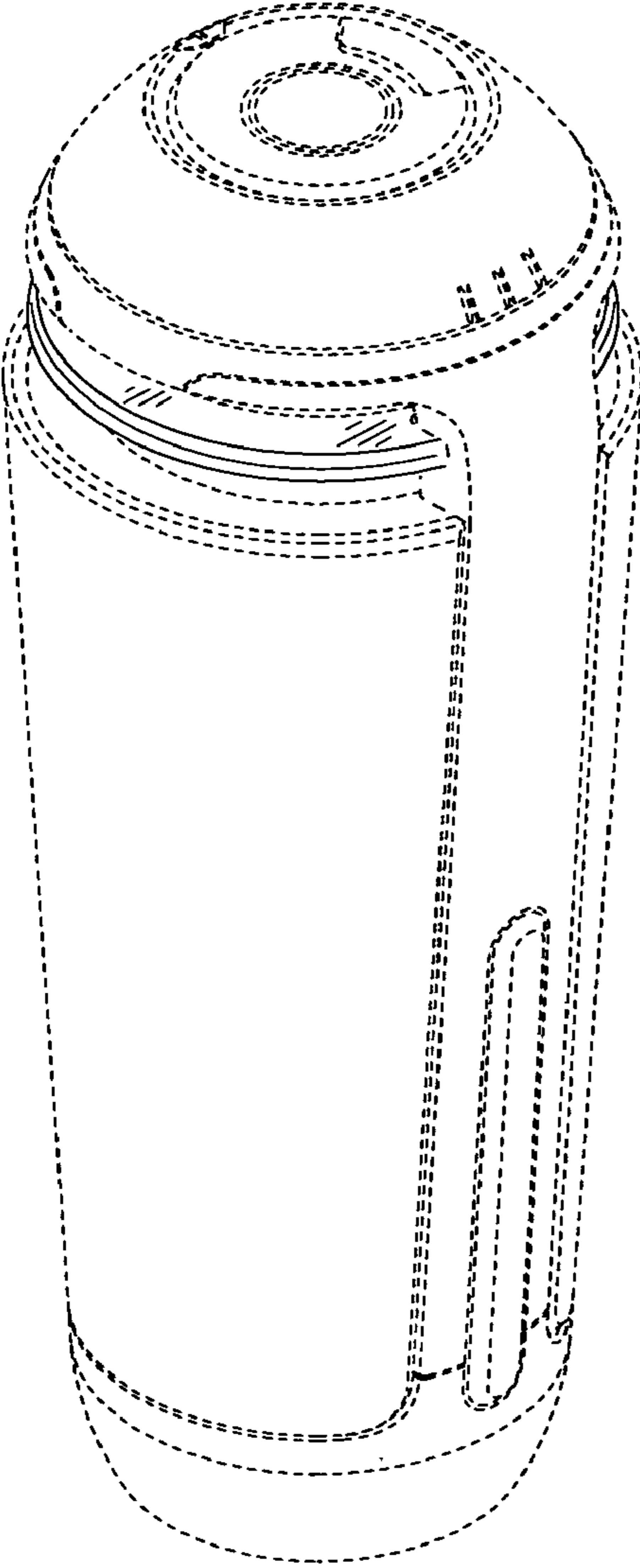


FIG.2

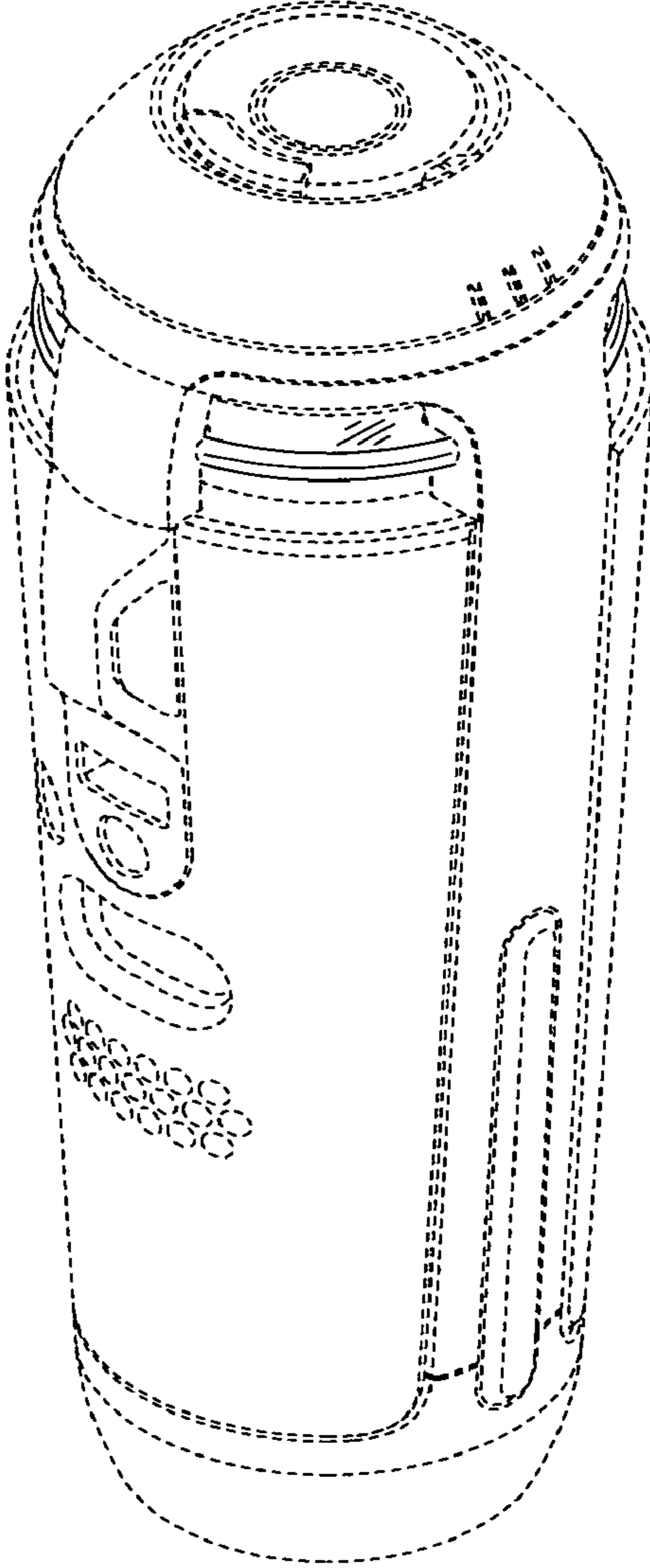


FIG.3

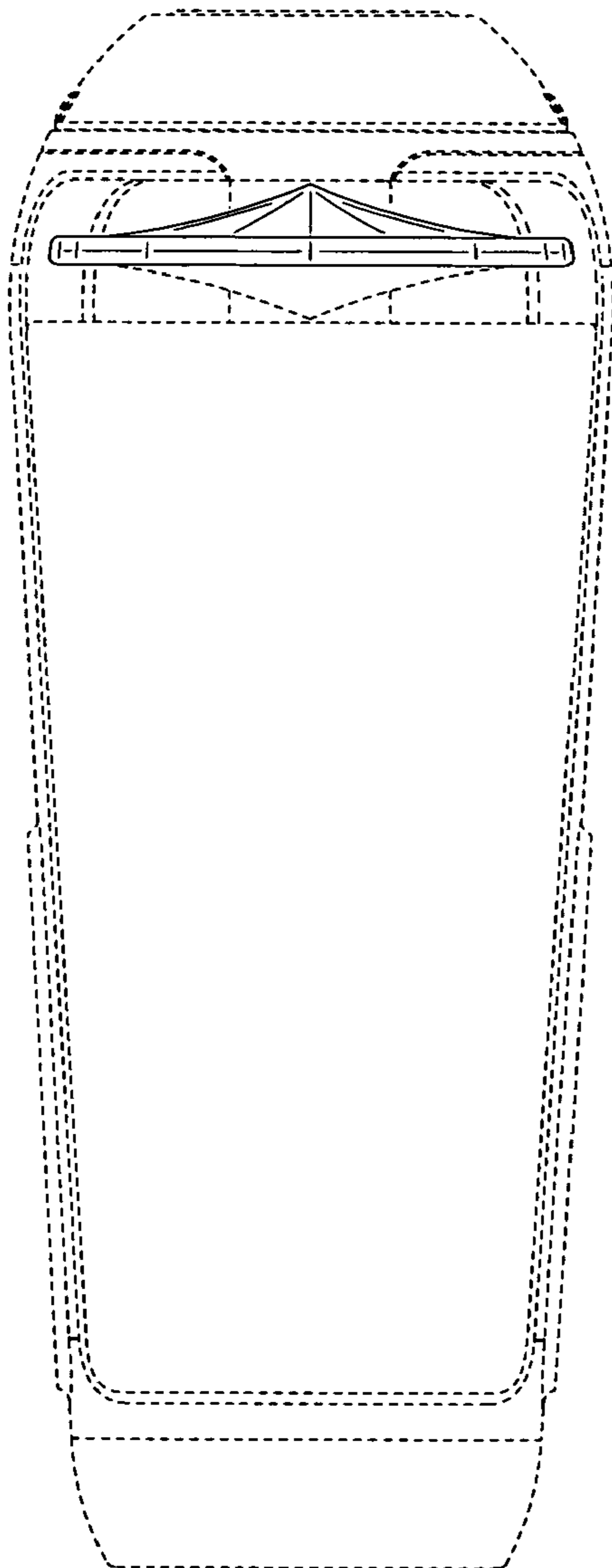


FIG.4

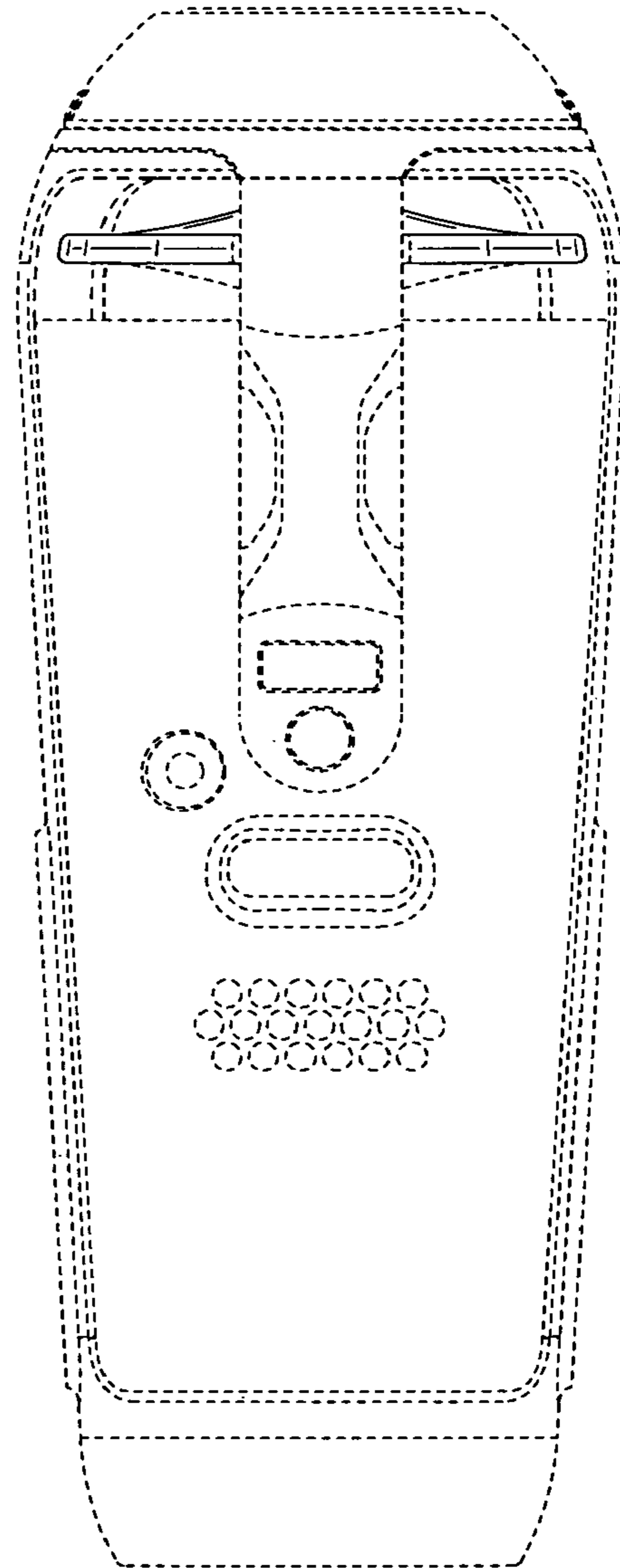


FIG.5

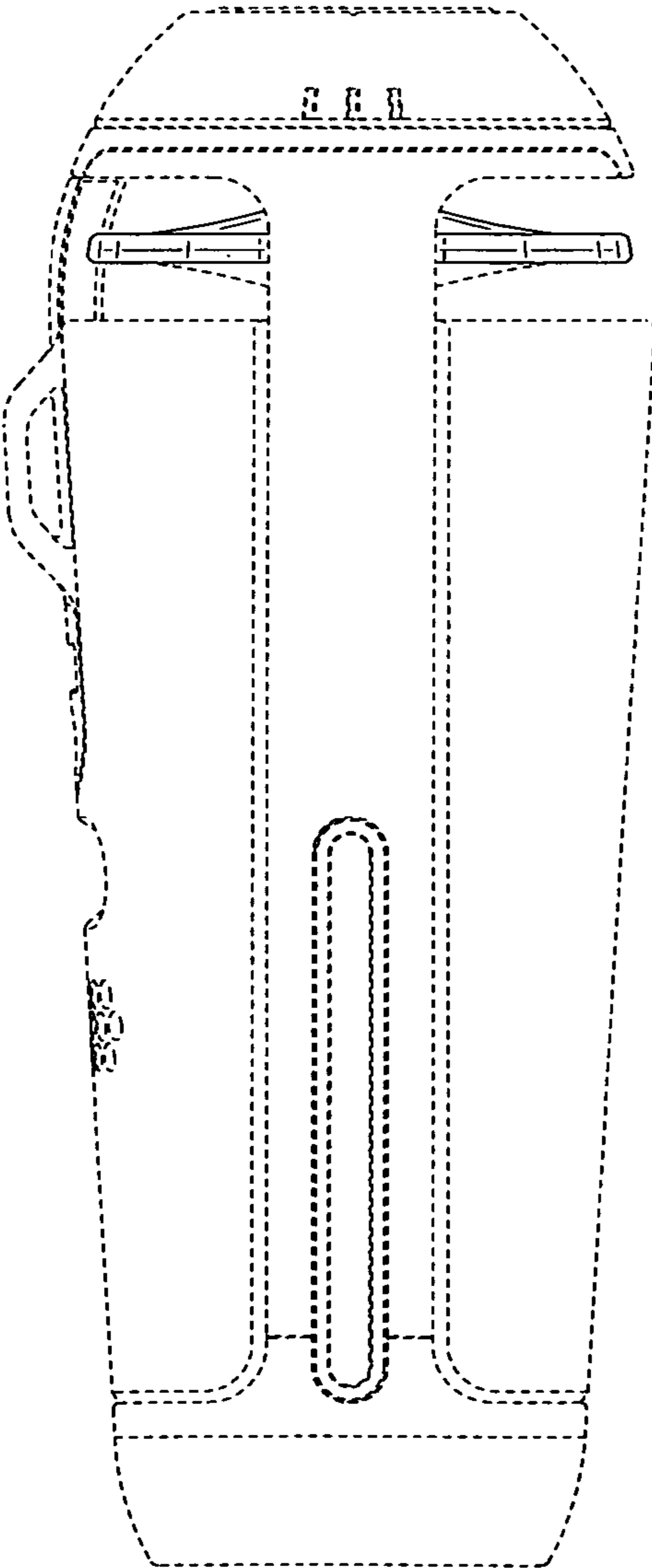


FIG.6

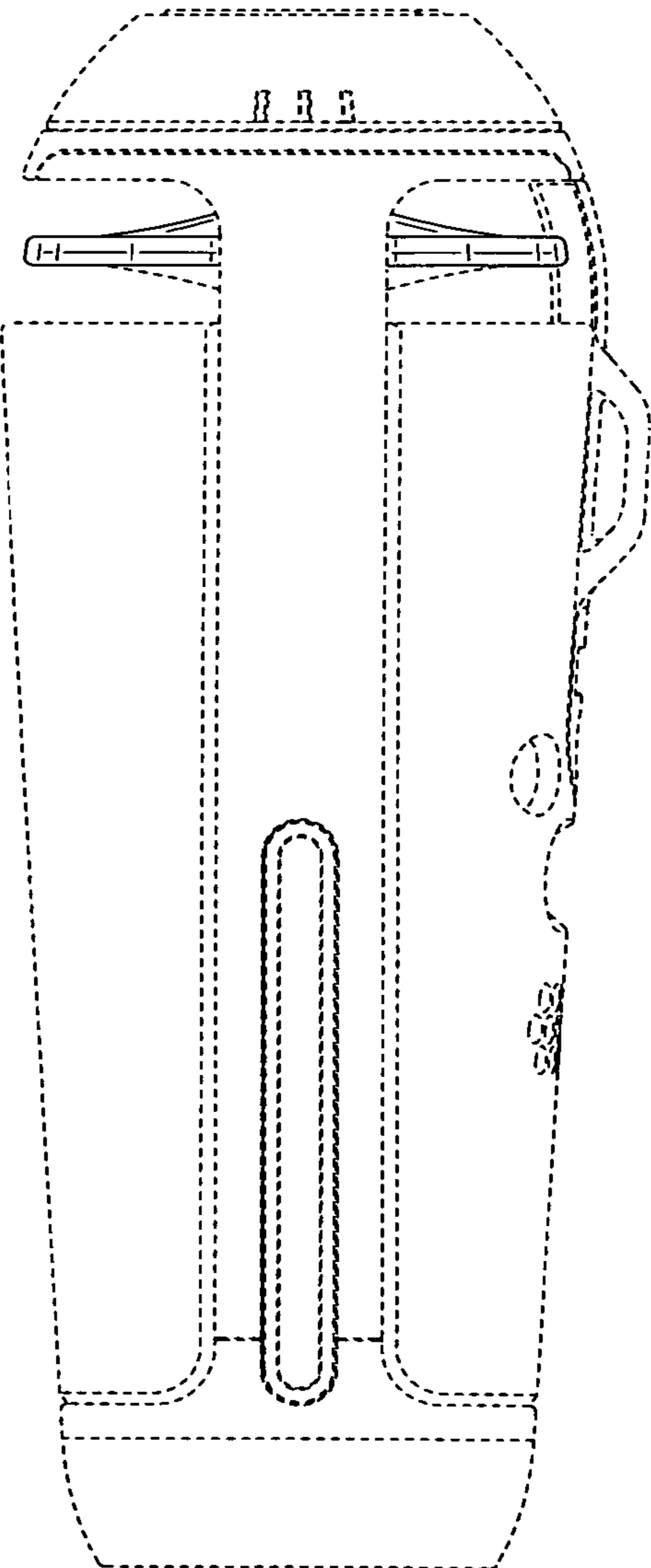


FIG.7

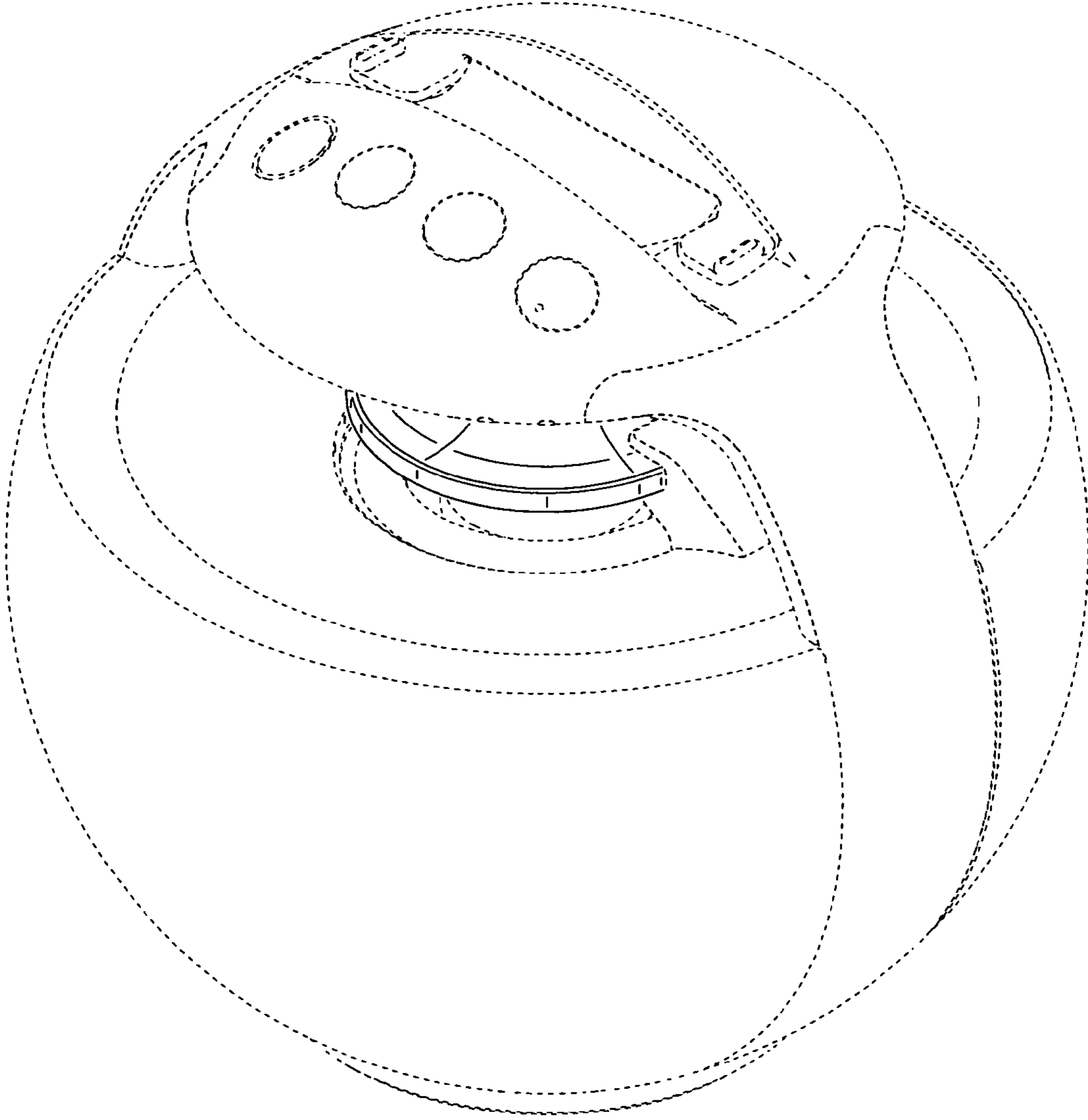


FIG.8

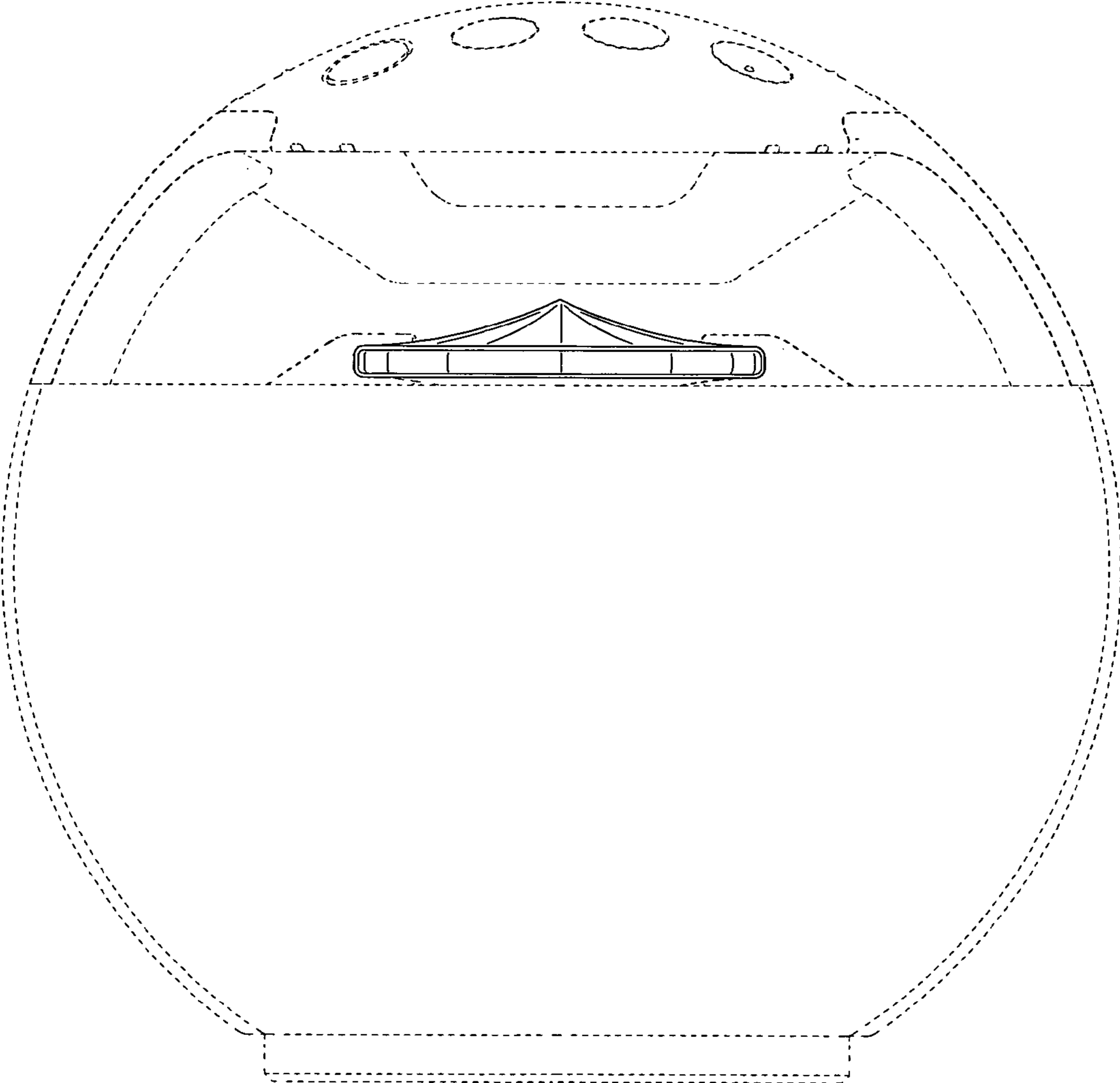


FIG.9

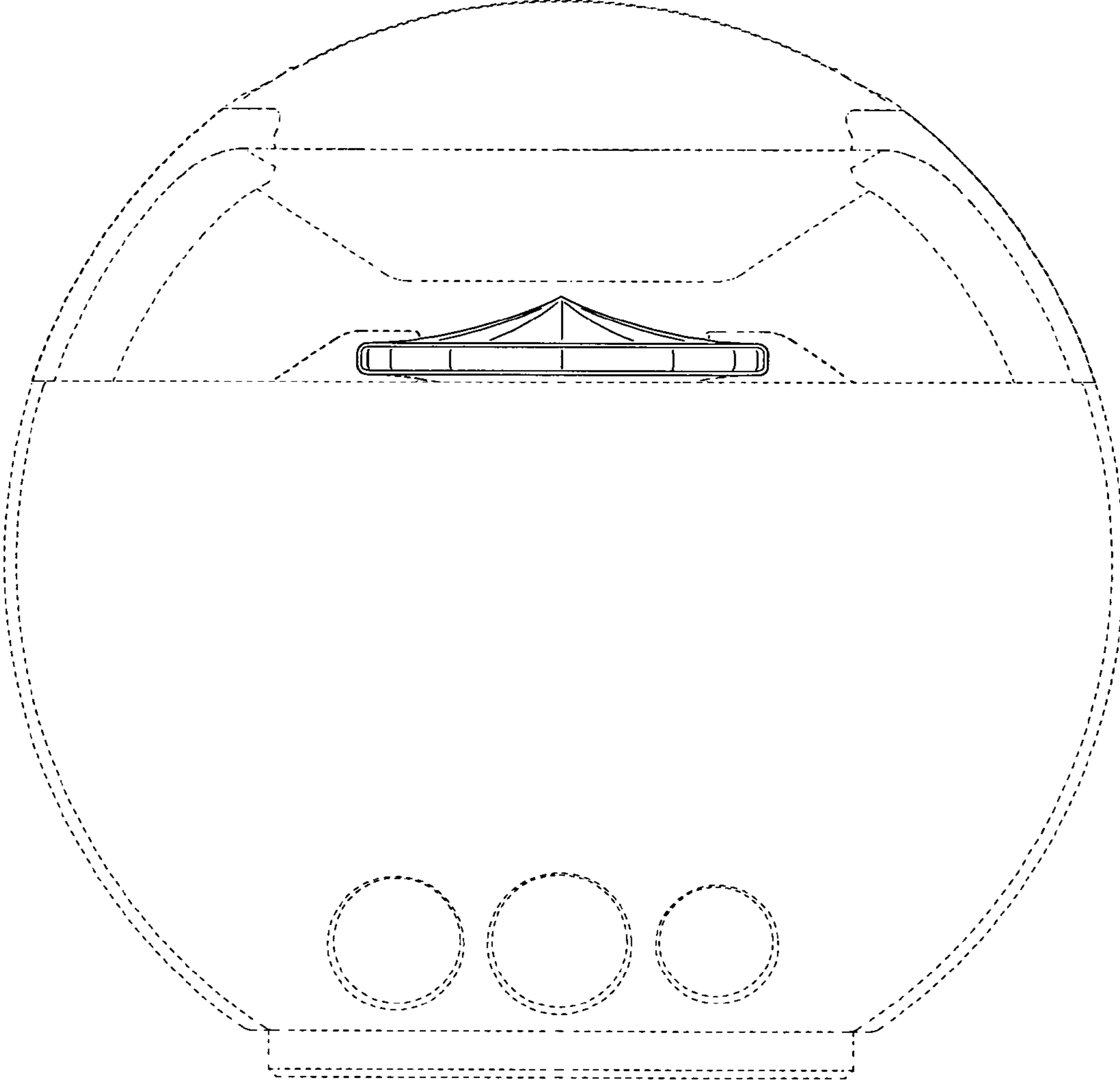


FIG.10

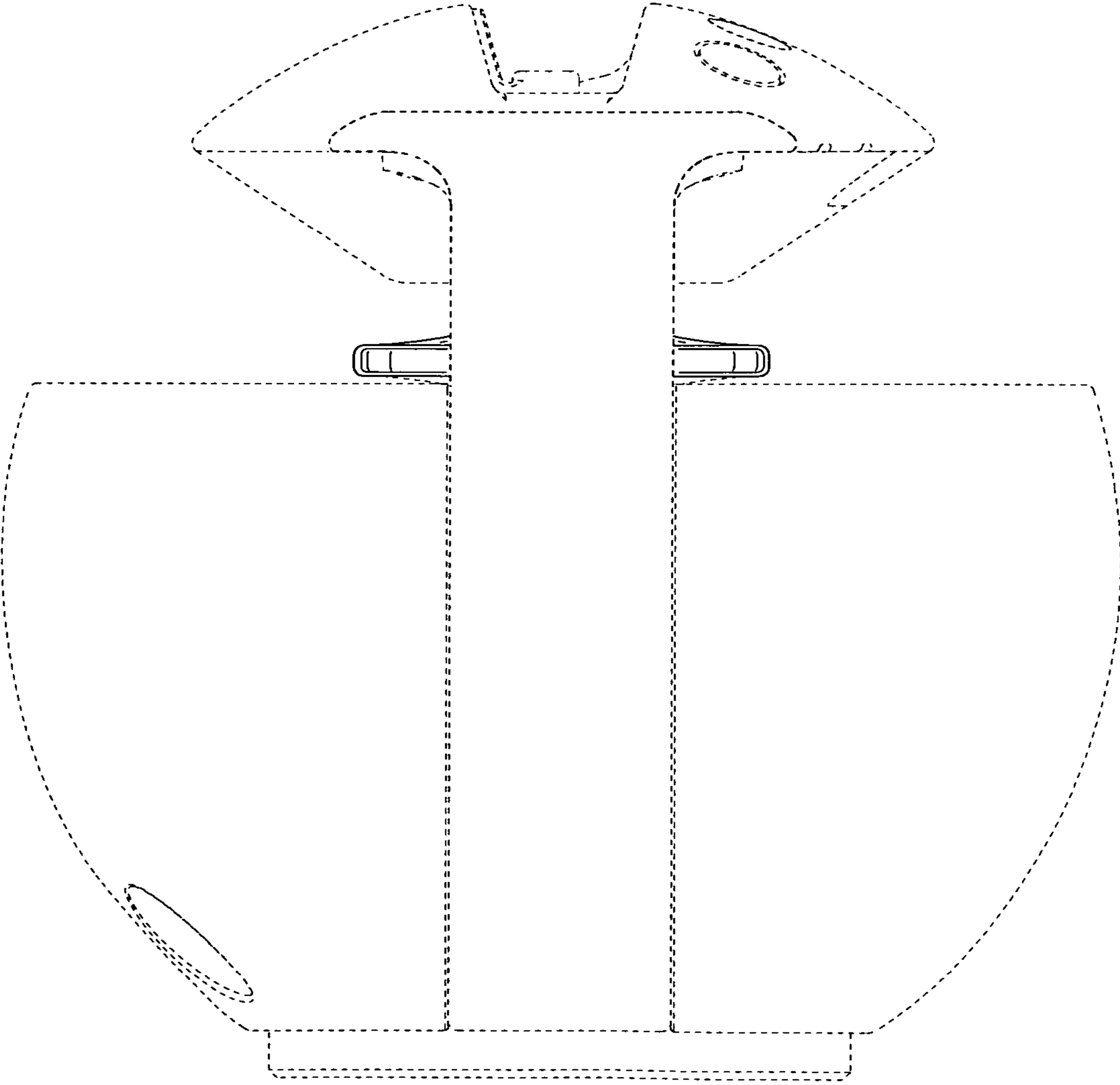


FIG.11

