

US00D667388S

(12) **United States Design Patent**
Kelley

(10) **Patent No.:** **US D667,388 S**
(45) **Date of Patent:** **** Sep. 18, 2012**

- (54) **COMMUNICATIONS HEADSET**
- (75) Inventor: **John Kelley**, Santa Cruz, CA (US)
- (73) Assignee: **Plantronics, Inc.**, Santa Clara, CA (US)
- (**) Term: **14 Years**
- (21) Appl. No.: **29/405,973**
- (22) Filed: **Nov. 8, 2011**
- (51) **LOC (9) Cl.** **14-01**
- (52) **U.S. Cl.** **D14/206**
- (58) **Field of Classification Search** D14/205,
D14/206, 223; 181/129, 130, 135; 379/430,
379/431; 381/380, 381, 370, 371; 455/90.3,
455/575.2

See application file for complete search history.

(56) **References Cited**

U.S. PATENT DOCUMENTS

2,149,341	A *	3/1939	Harrison	381/379
3,488,457	A *	1/1970	Lahti	381/371
D246,259	S *	11/1977	Nishimura et al.	D14/205
D254,183	S *	2/1980	Doodson	D14/205
D262,019	S *	11/1981	Upshaw	D14/205
D286,772	S *	11/1986	Pope	D14/205
D292,205	S *	10/1987	Kikutani	D14/205
D337,116	S *	7/1993	Hattori	D14/206
D344,730	S *	3/1994	Gathey et al.	D14/206
D346,802	S *	5/1994	Sacherman et al.	D14/206
D365,559	S *	12/1995	Fathi	D14/142
D377,020	S *	12/1996	Bungardt et al.	D14/205
D394,437	S *	5/1998	Landreth et al.	D14/206
6,154,539	A *	11/2000	Pitel	379/430
D436,348	S *	1/2001	McGugan	D14/142
D447,472	S *	9/2001	McGugan	D14/225
D458,247	S *	6/2002	Davies et al.	D14/206
6,622,029	B1 *	9/2003	Skulley et al.	455/575.2
D482,019	S *	11/2003	Petersen et al.	D14/206
D488,146	S *	4/2004	Minto	D14/206
D494,957	S *	8/2004	Rath et al.	D14/206
D498,470	S *	11/2004	Skulley et al.	D14/206
6,970,572	B2 *	11/2005	Murozaki et al.	381/381
D514,086	S *	1/2006	Skulley	D14/206
D517,528	S *	3/2006	Skulley	D14/206
D518,479	S *	4/2006	Skulley	D14/225
D530,307	S *	10/2006	Rath	D14/206
D530,702	S *	10/2006	Pritchard et al.	D14/206
D531,165	S *	10/2006	Rath	D14/206
D535,285	S *	1/2007	Skulley	D14/205

D538,785	S *	3/2007	Skulley	D14/206
D539,267	S *	3/2007	Komiyama	D14/205
7,190,330	B2 *	3/2007	Travers et al.	345/7
D540,778	S *	4/2007	Thompson et al.	D14/206
D541,256	S *	4/2007	Rausch et al.	D14/205
D587,683	S *	3/2009	Ham et al.	D14/205
D587,684	S *	3/2009	Ham et al.	D14/205
D601,543	S *	10/2009	Bentley	D14/206
D602,001	S *	10/2009	Bentley	D14/206
D604,266	S *	11/2009	Milde et al.	D14/205
D628,189	S *	11/2010	Rath	D14/206
D635,958	S *	4/2011	Ando et al.	D14/205
D641,337	S *	7/2011	Brandis	D14/206
D645,023	S *	9/2011	Brandis	D14/206
D647,081	S *	10/2011	Kwon	D14/223
D654,471	S *	2/2012	Fischer	D14/206
D654,472	S *	2/2012	Fischer	D14/206

* cited by examiner

Primary Examiner — Paula Greene

(74) *Attorney, Agent, or Firm* — Michael Rodriguez

(57) **CLAIM**

The ornamental design for a communications headset, as shown and described.

DESCRIPTION

FIG. 1 is a front-top-right perspective view of a communications headset showing my new design;
 FIG. 2 is a front view thereof;
 FIG. 3 is a back view thereof;
 FIG. 4 is a right side view thereof;
 FIG. 5 is a left side view thereof;
 FIG. 6 is a bottom view thereof;
 FIG. 7 is a top view thereof;
 FIG. 8 is a front-top-right perspective view of a second embodiment showing my new design;
 FIG. 9 is a front view thereof;
 FIG. 10 is a back view thereof;
 FIG. 11 is a right side view thereof;
 FIG. 12 is a left side view thereof;
 FIG. 13 is a bottom view thereof; and,
 FIG. 14 is a top view thereof.

The broken lines showing of the unclaimed environment forms no part of the claimed design.

1 Claim, 12 Drawing Sheets

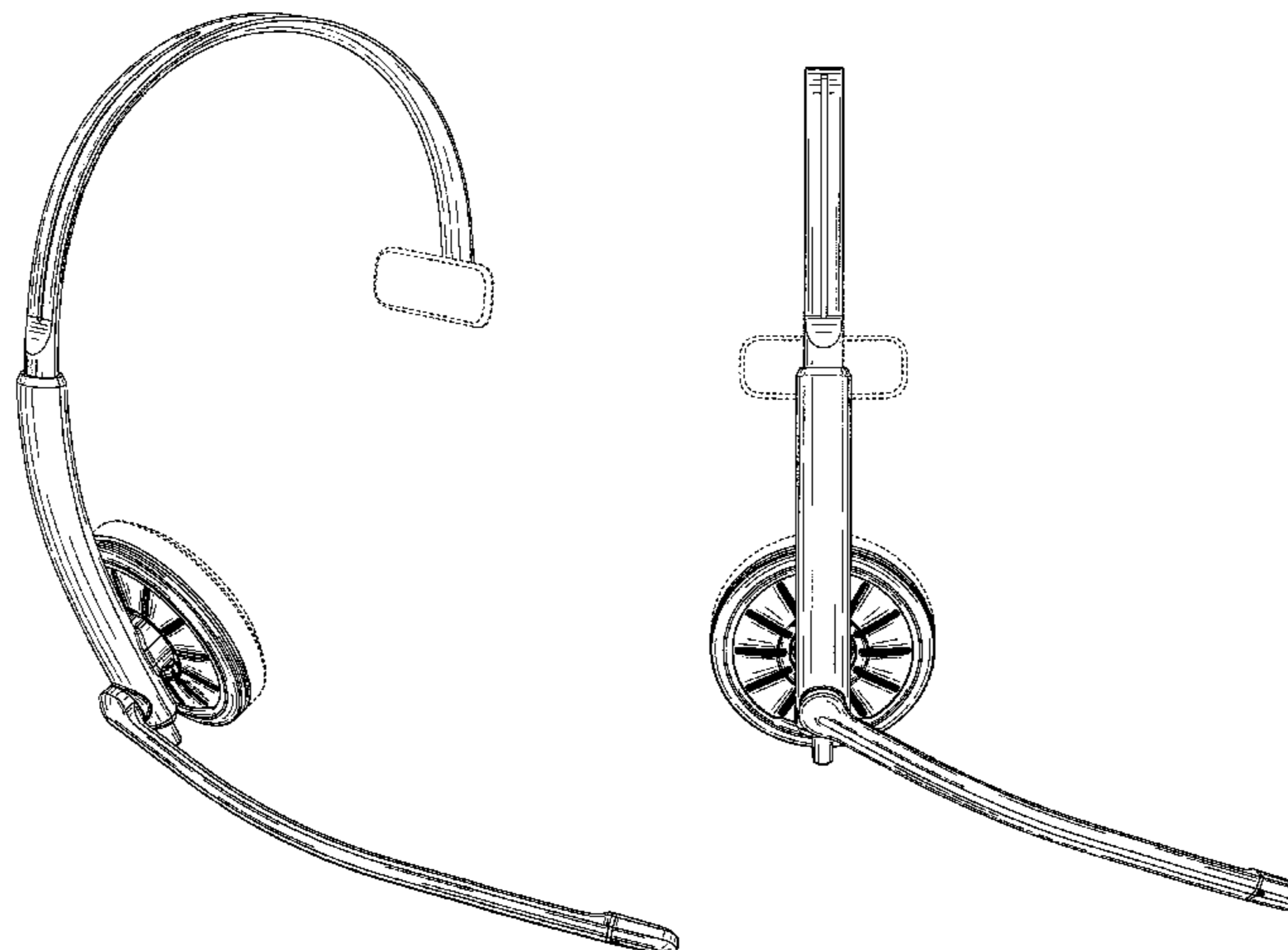




FIG. 1

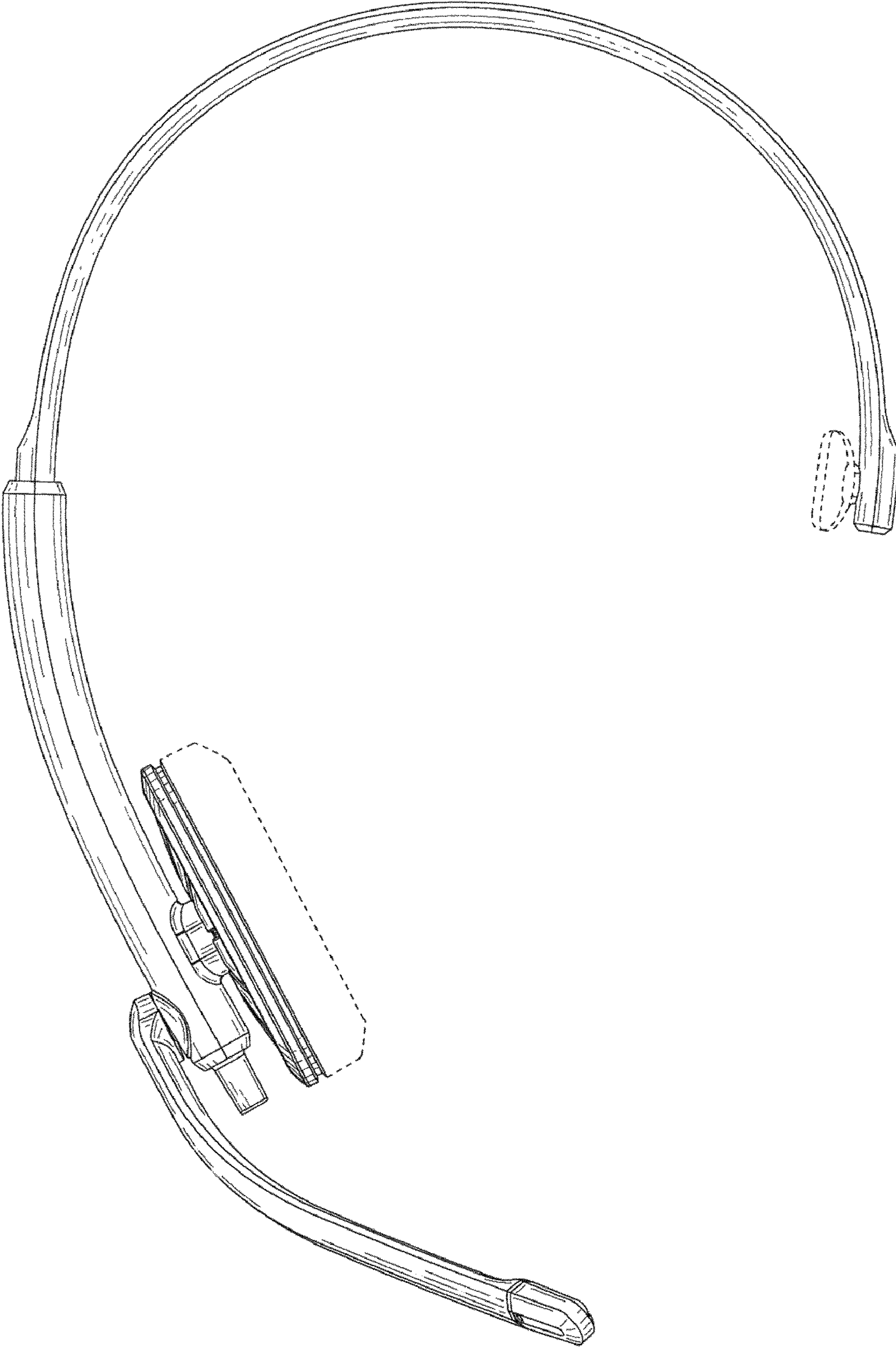


FIG. 2

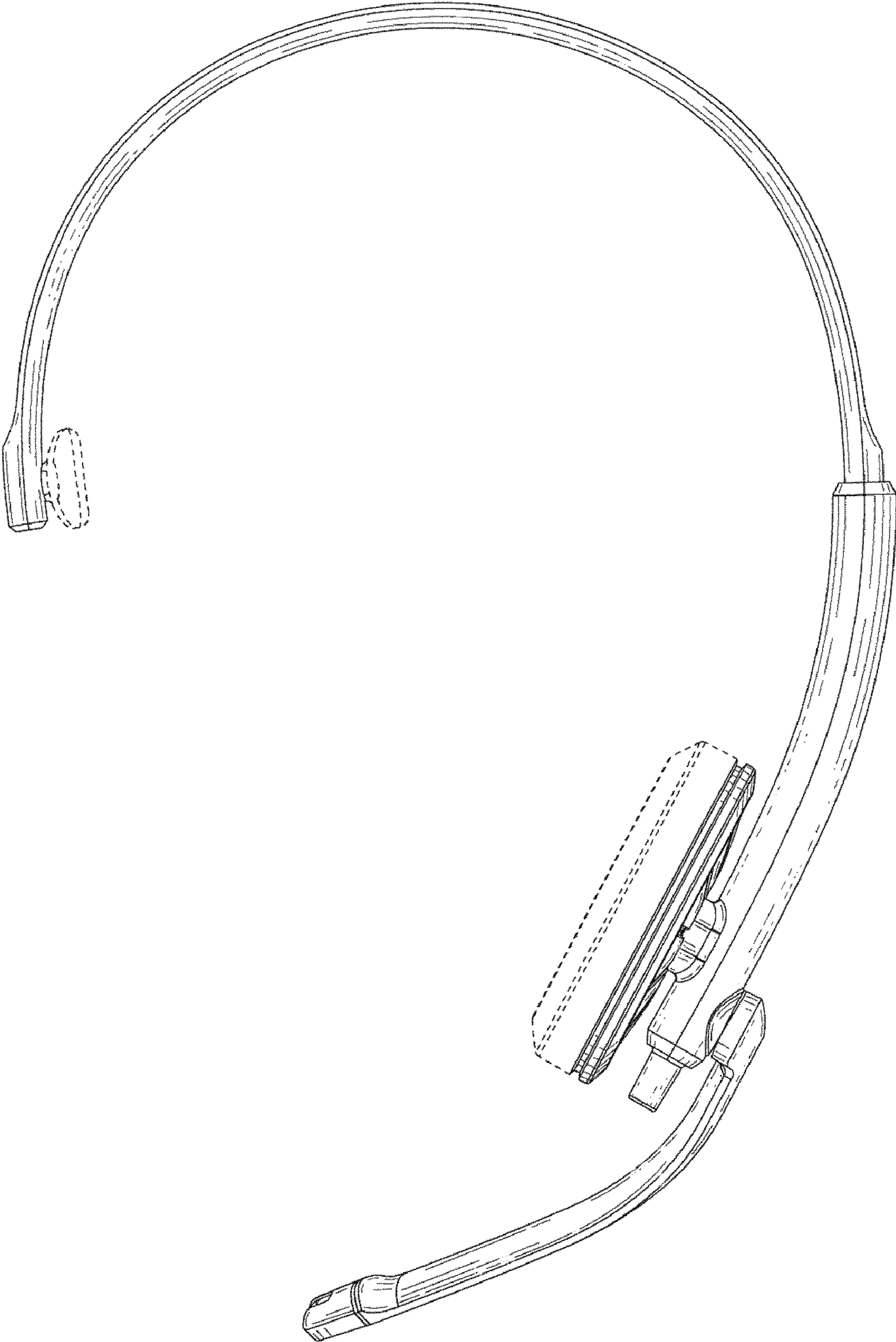


FIG. 3

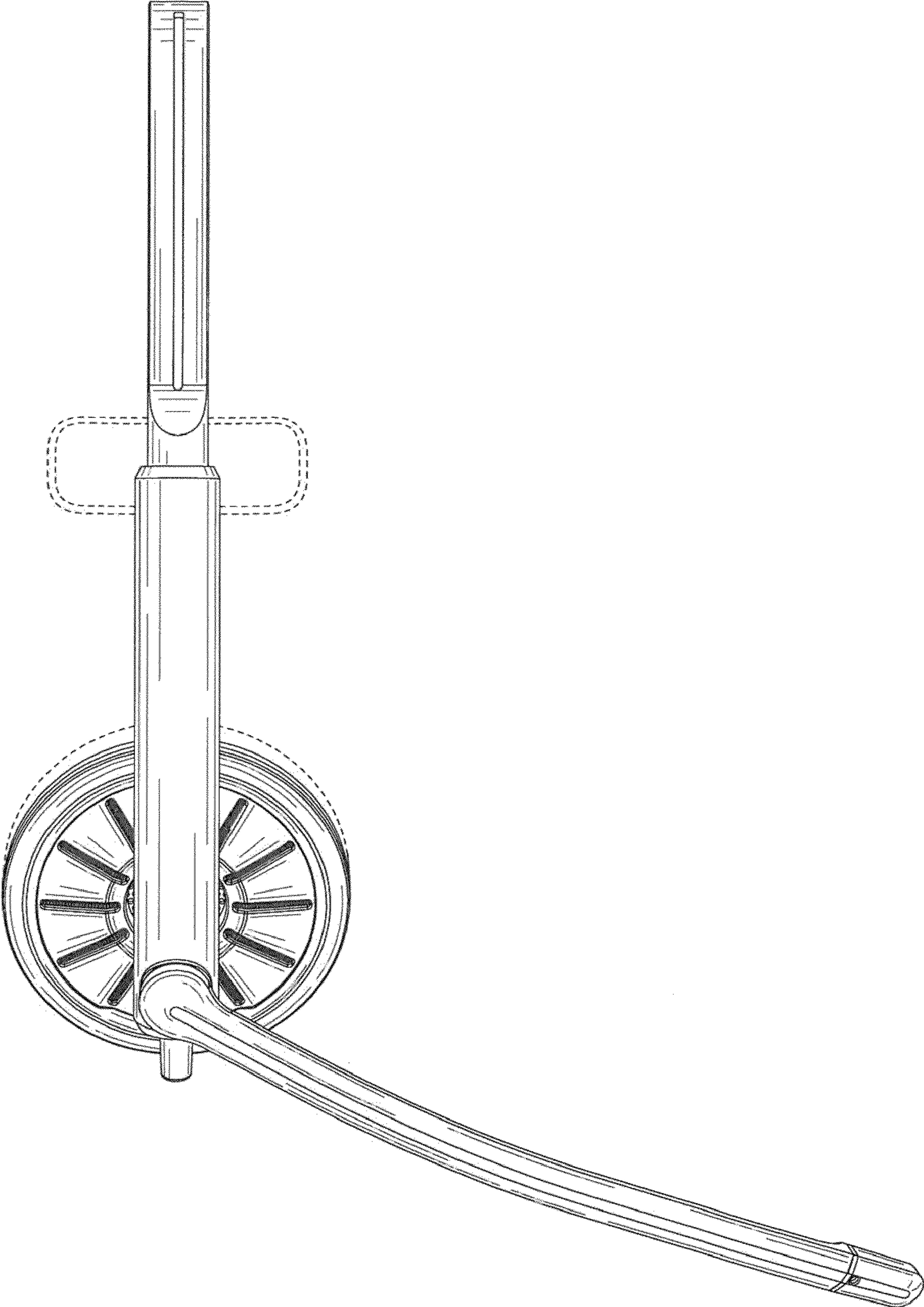


FIG. 4

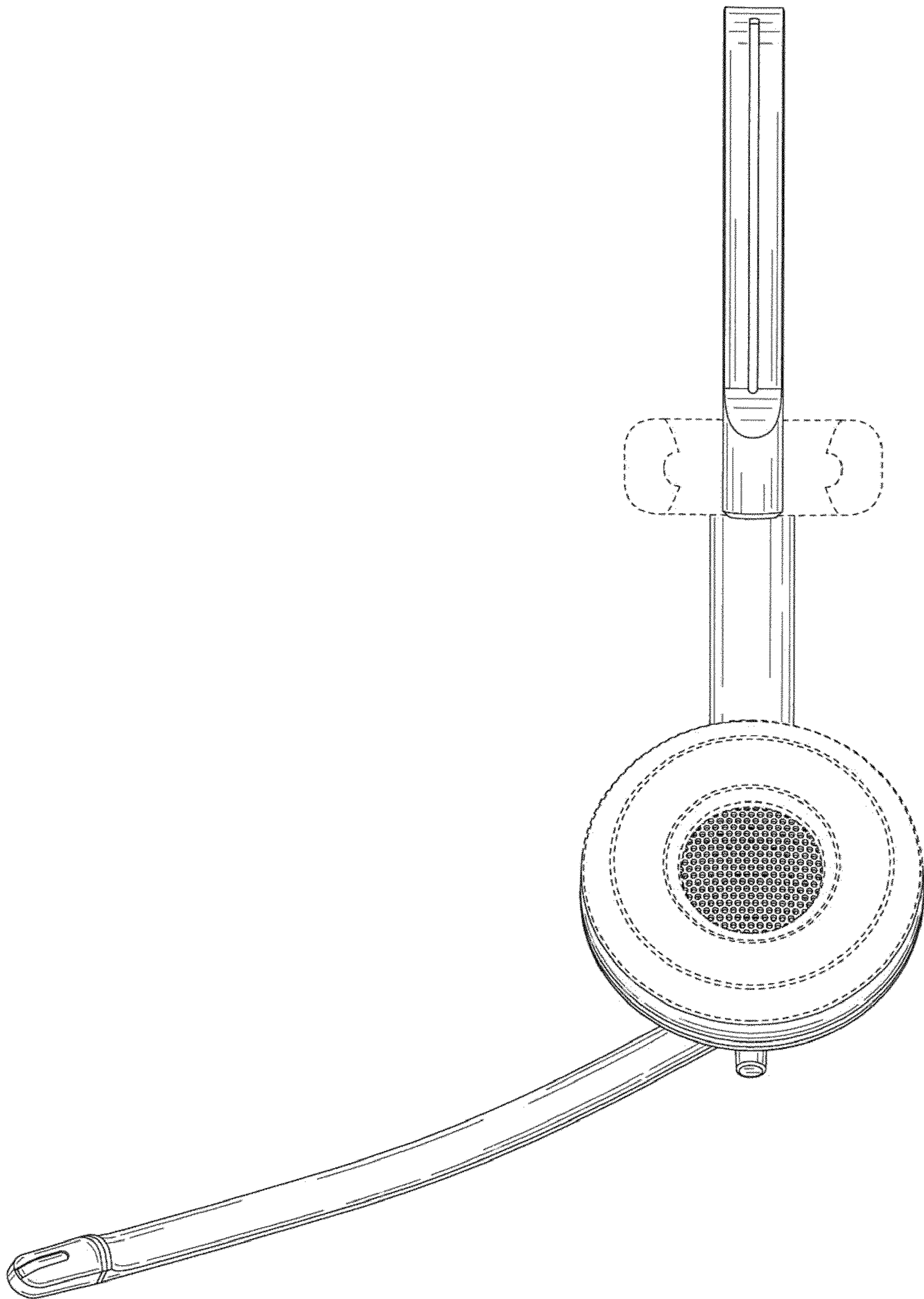


FIG. 5

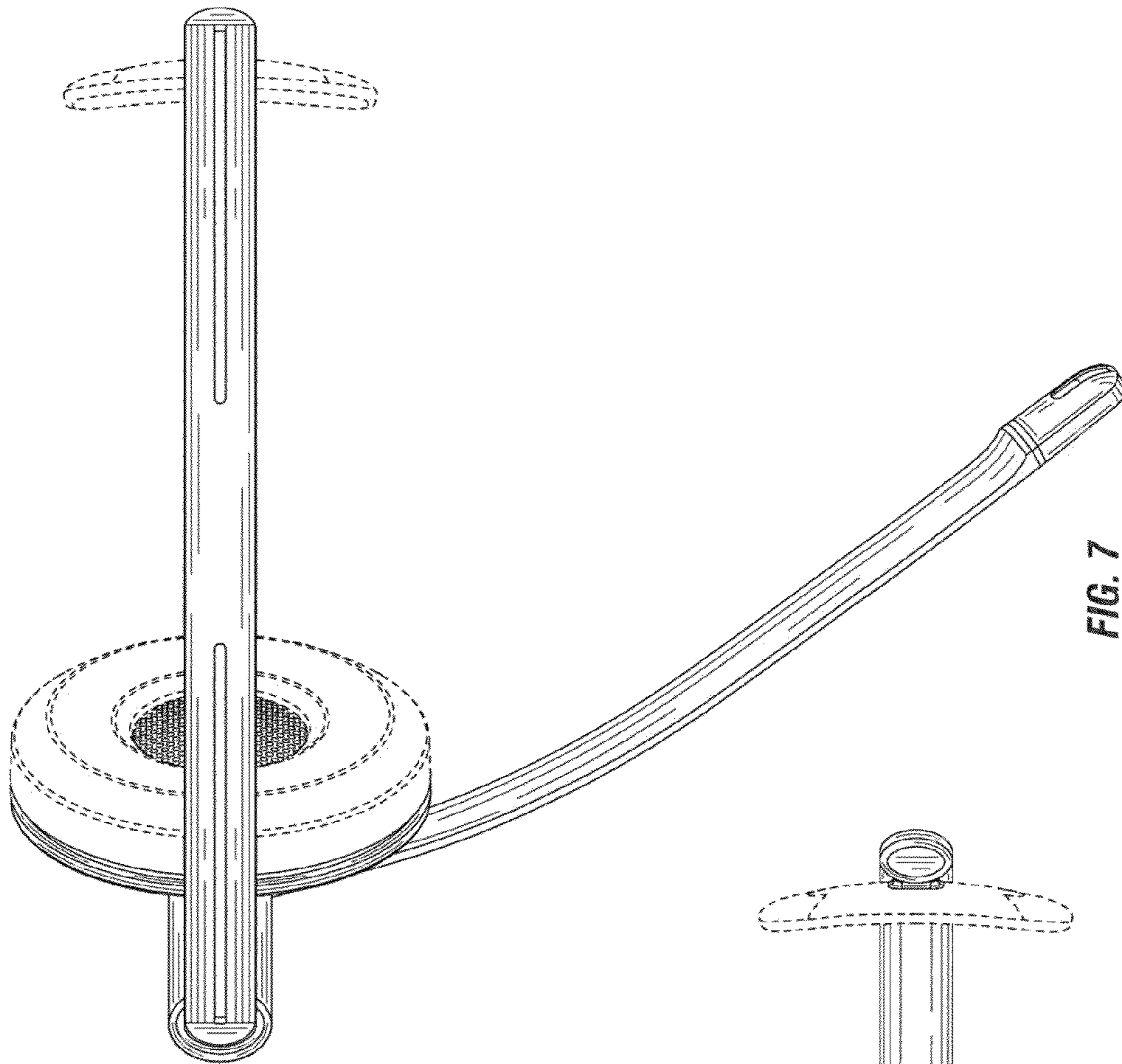


FIG. 7

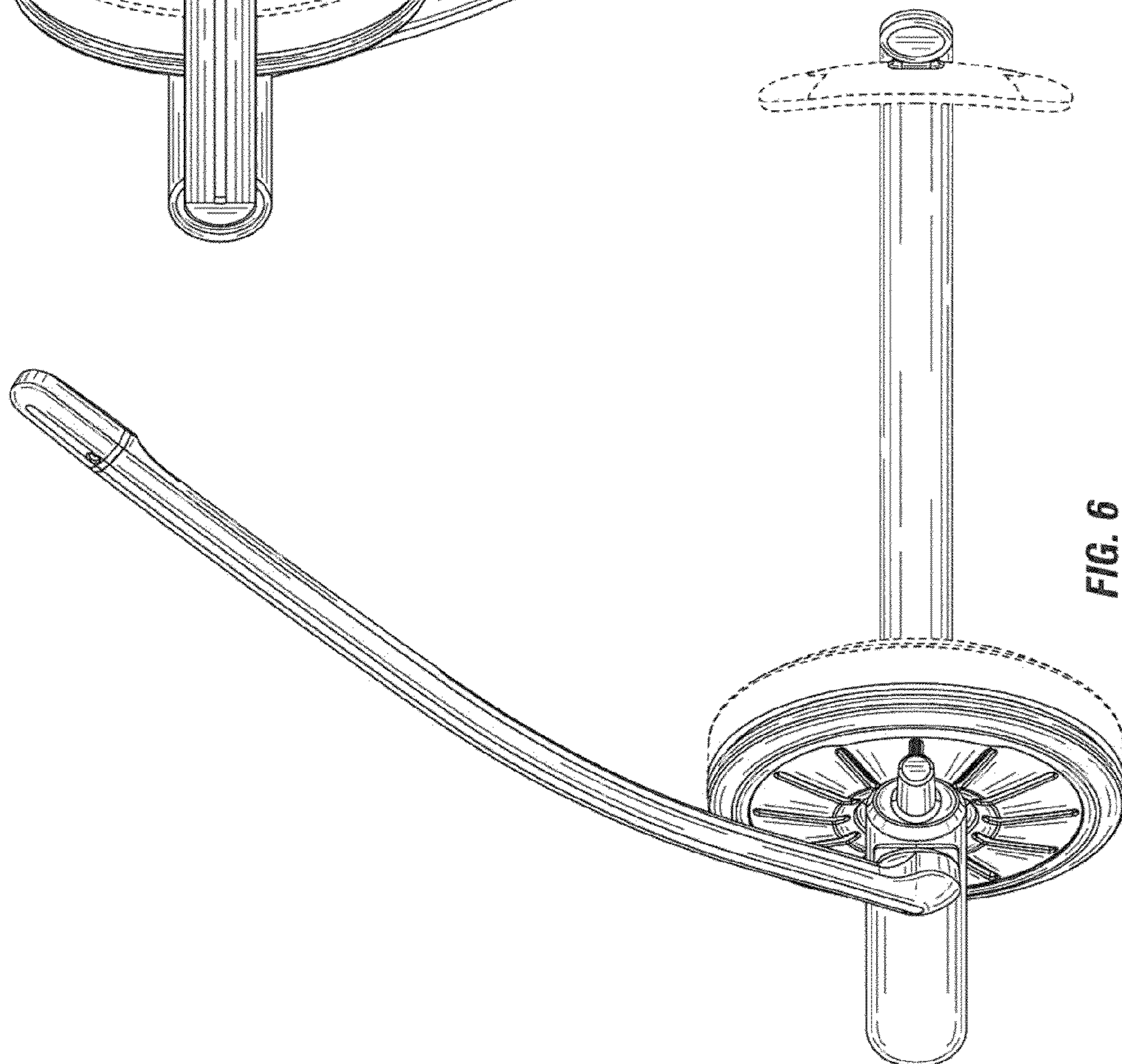


FIG. 6



FIG. 8



FIG. 9



FIG. 10

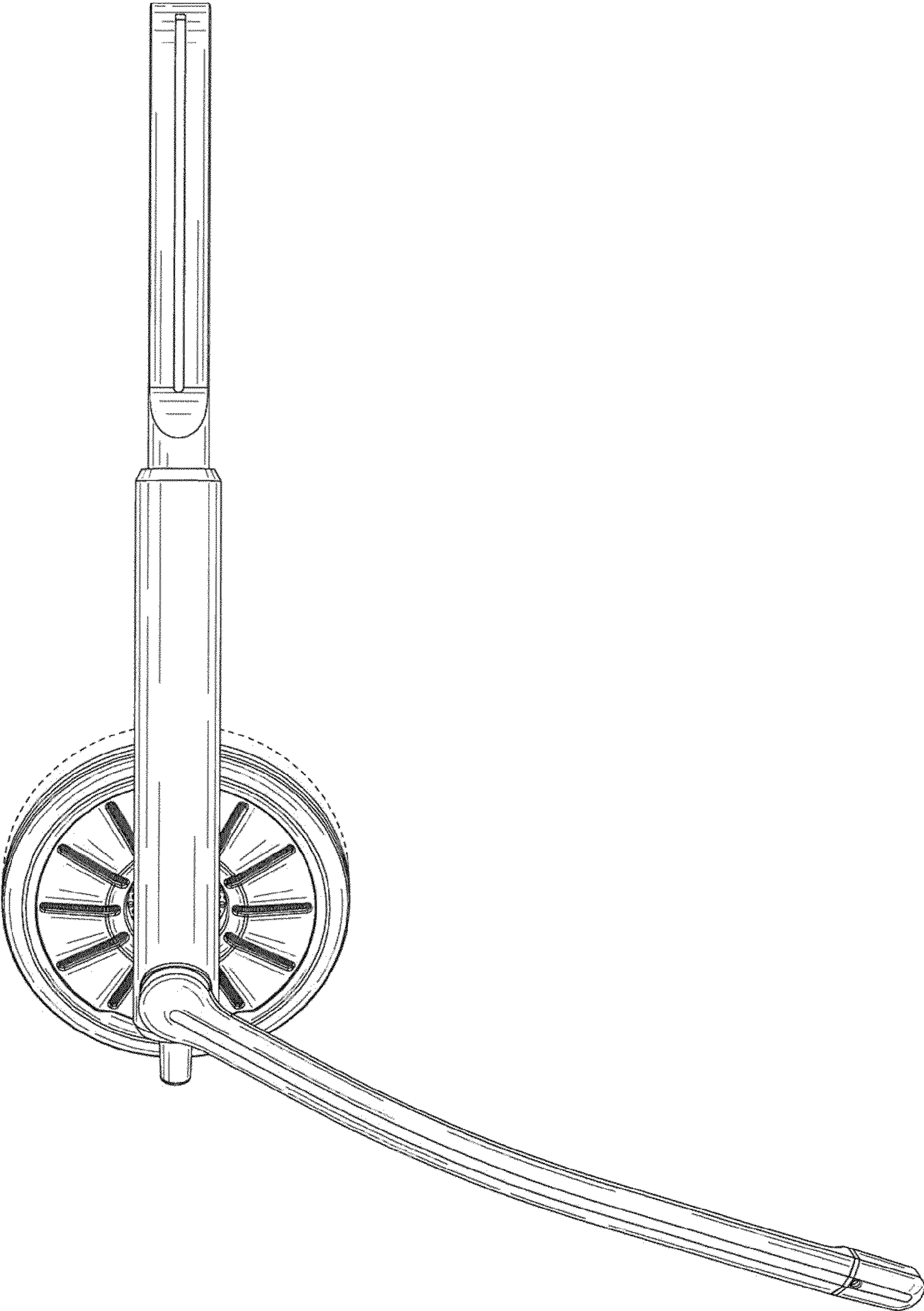


FIG. 11

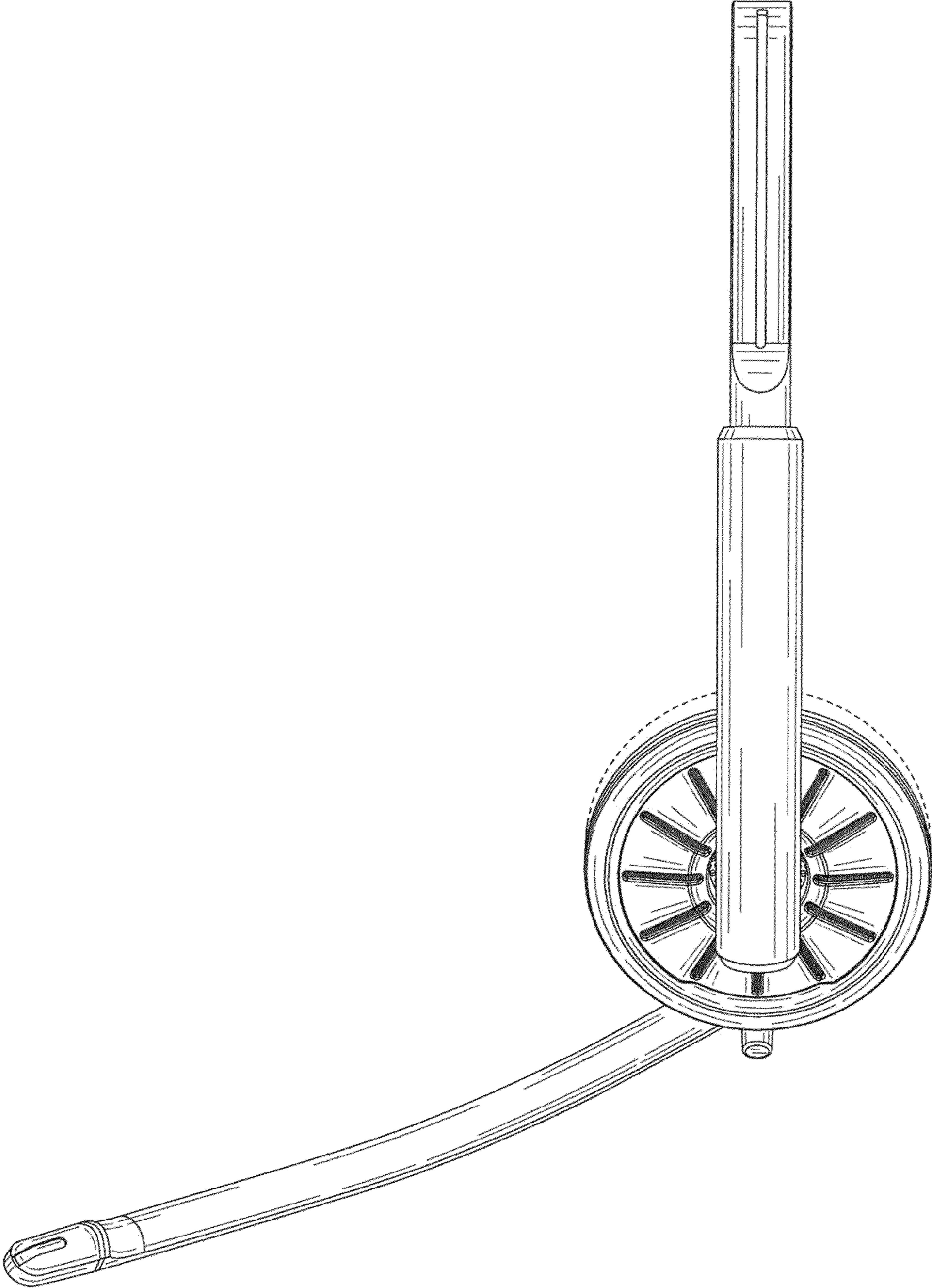


FIG. 12

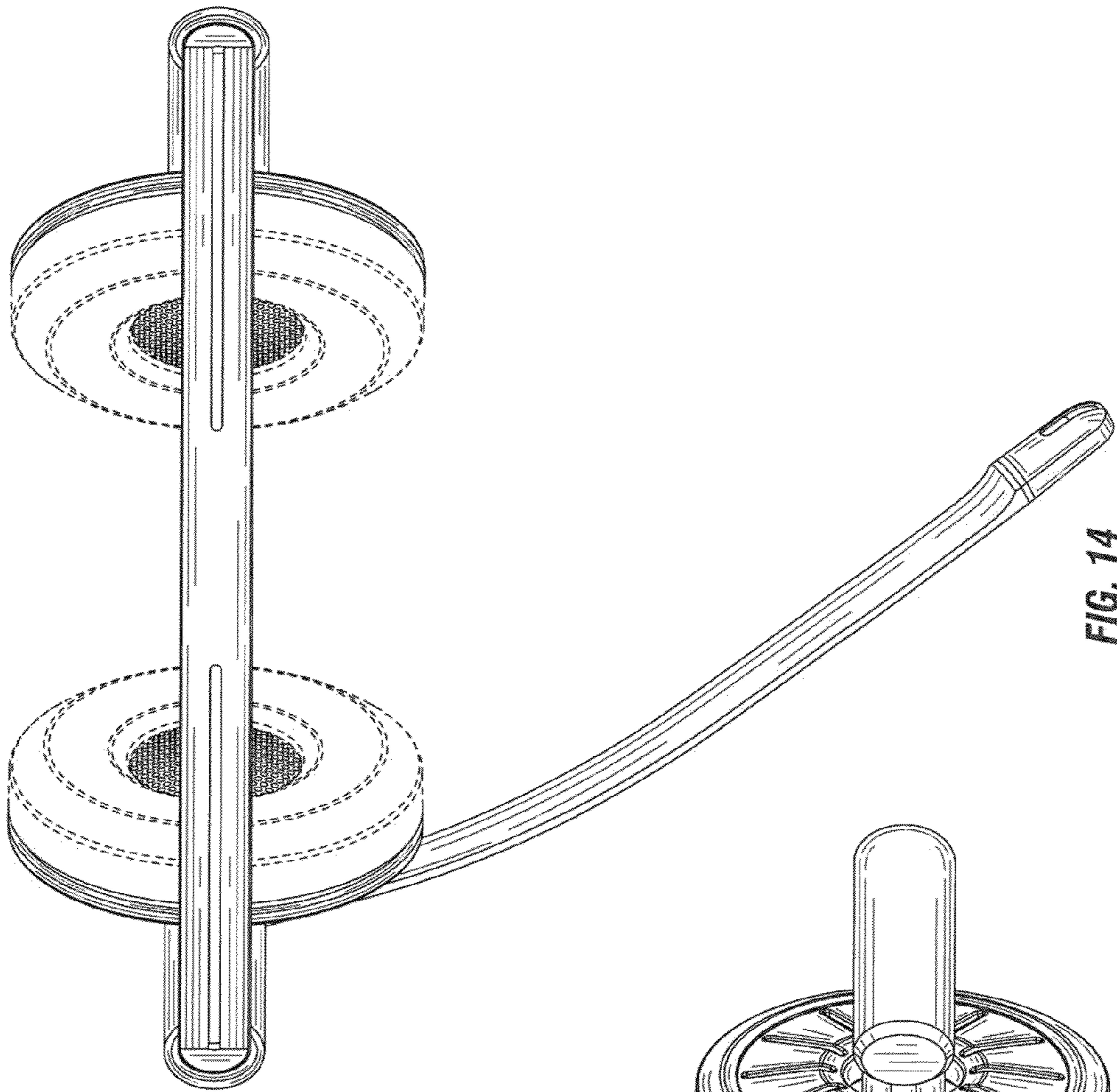


FIG. 14

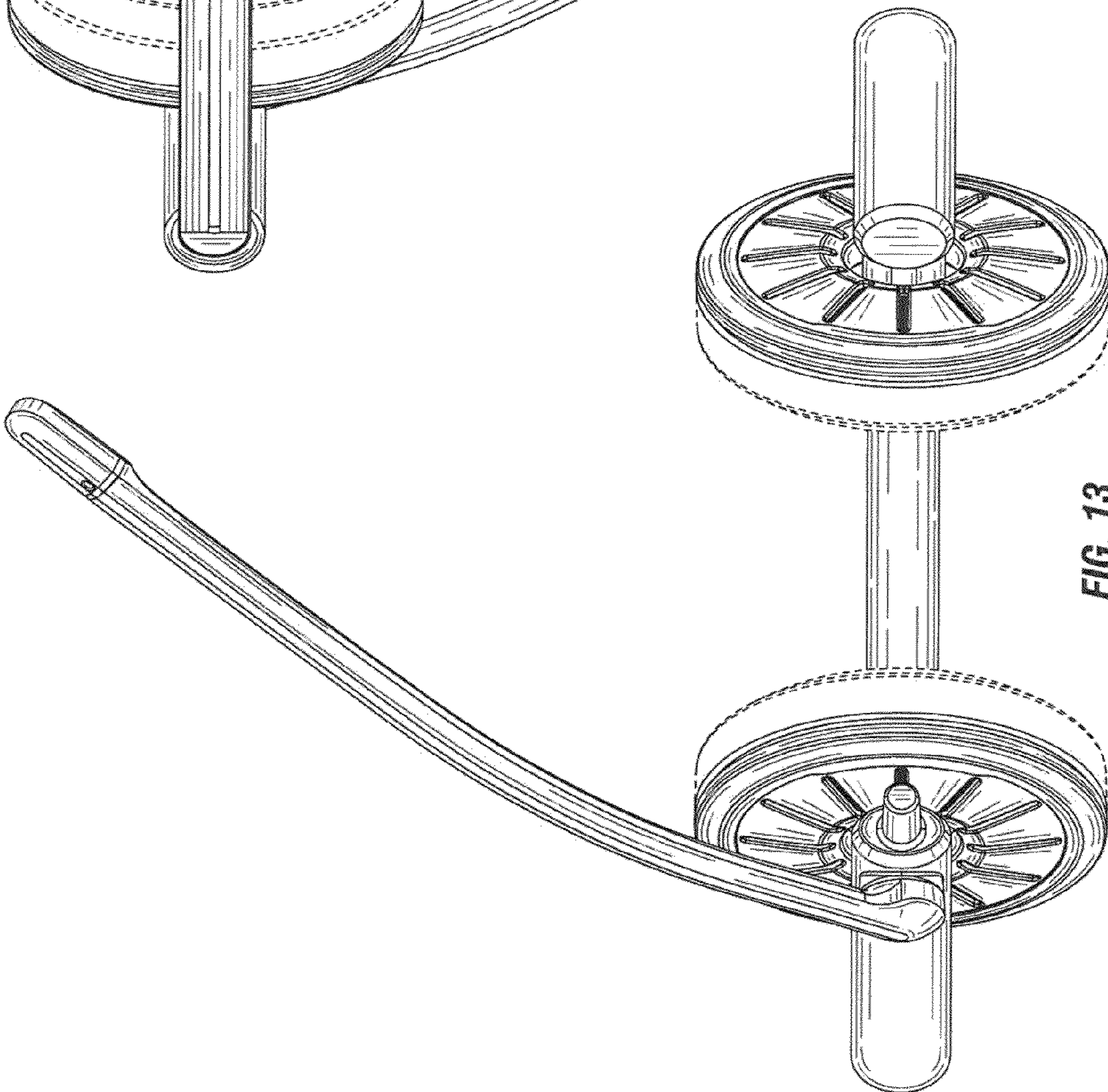


FIG. 13