



US00D667384S

(12) **United States Design Patent**
Chang et al.

(10) **Patent No.:** **US D667,384 S**
(45) **Date of Patent:** **** Sep. 18, 2012**

(54) **LIGHT EMITTING DIODE LEAD-FRAME**

(75) Inventors: **Cheng-Ping Chang**, Hsin Chu County (TW); **Che-Ming Hsu**, Chang Hua County (TW); **Hui-Kai Hsu**, Taitung (TW)

(73) Assignee: **Lextar Electronics Corp.**, Hsinchu (TW)

(**) Term: **14 Years**

(21) Appl. No.: **29/406,686**

(22) Filed: **Nov. 17, 2011**

(30) **Foreign Application Priority Data**

Jul. 11, 2011 (TW) 100303525

(51) **LOC (9) Cl.** **13-03**

(52) **U.S. Cl.** **D13/180**

(58) **Field of Classification Search** D13/180;
D26/1, 2; 257/79, 80, 81, 88, 89, 95, 98,
257/99, 100, E33.058; 313/483, 498, 500;
362/555, 800

See application file for complete search history.

(56) **References Cited**

U.S. PATENT DOCUMENTS

D599,750 S * 9/2009 Kim et al. D13/180
D622,680 S * 8/2010 Lin et al. D13/180

D626,095 S * 10/2010 Hsieh D13/180
D634,284 S * 3/2011 Ko et al. D13/180
D638,378 S * 5/2011 Ko et al. D13/180
D645,425 S * 9/2011 Lin et al. D13/180
D647,070 S * 10/2011 Huang et al. D13/180
D652,808 S * 1/2012 Chang et al. D13/180
D654,032 S * 2/2012 Yu et al. D13/180
2011/0127566 A1* 6/2011 Yoon 257/99
2011/0186873 A1* 8/2011 Emerson 257/88
2011/0241030 A1* 10/2011 Kim 257/88

* cited by examiner

Primary Examiner — Selina Sikder

(74) *Attorney, Agent, or Firm* — Schmeiser Olsen & Watts LLP

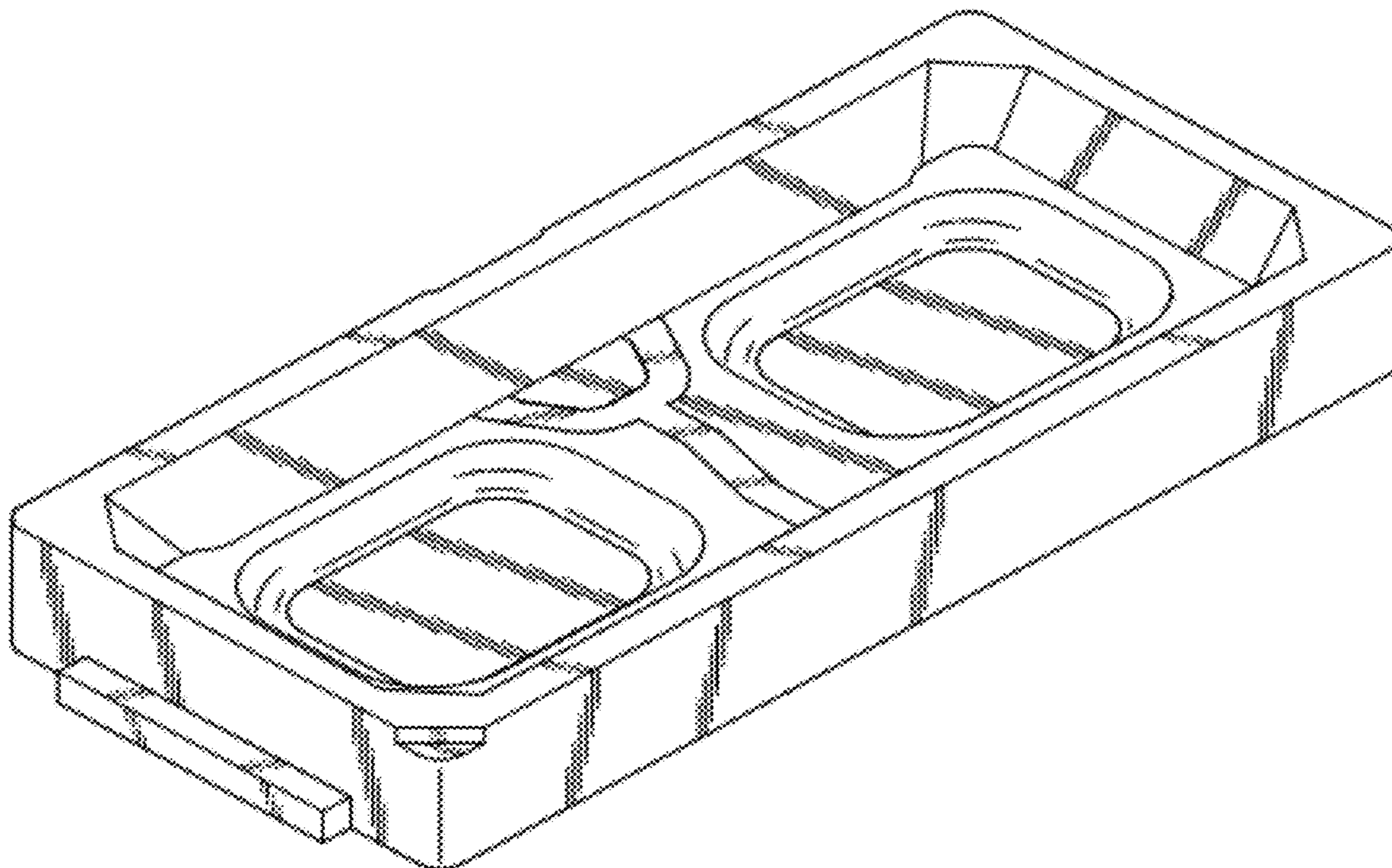
(57) **CLAIM**

The ornamental design for light emitting diode lead-frame, as shown and described.

DESCRIPTION

FIG. 1 is a front perspective view of light emitting diode lead-frame showing the new design;
FIG. 2 is a front elevational view thereof;
FIG. 3 is a rear elevational view thereof;
FIG. 4 is a left side elevational view thereof;
FIG. 5 is a right side elevational view thereof;
FIG. 6 is a top plan view thereof;
FIG. 7 is a bottom plan view thereof; and,
FIG. 8 is another perspective view thereof.

1 Claim, 8 Drawing Sheets



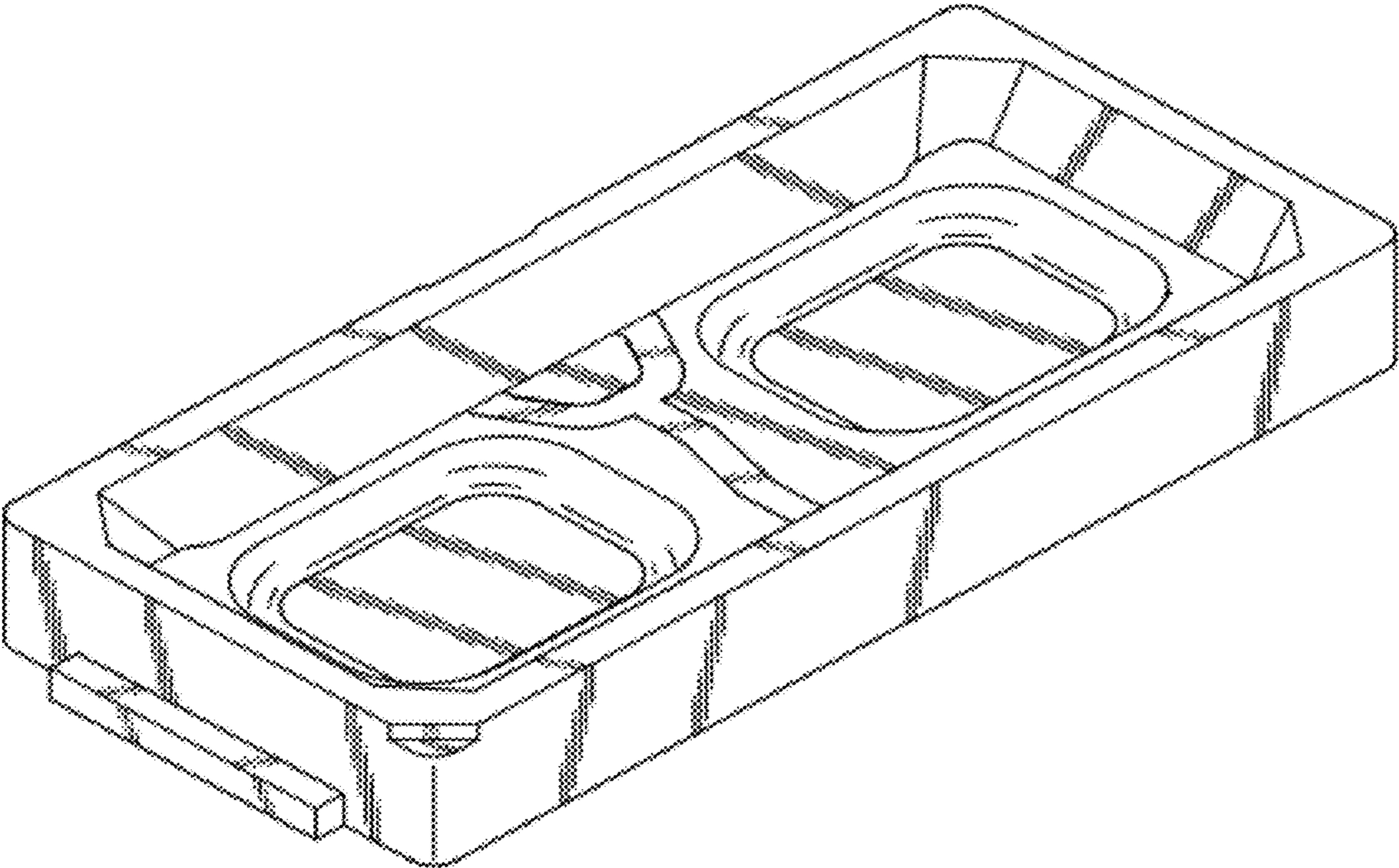


FIG.1



FIG.2



FIG.3

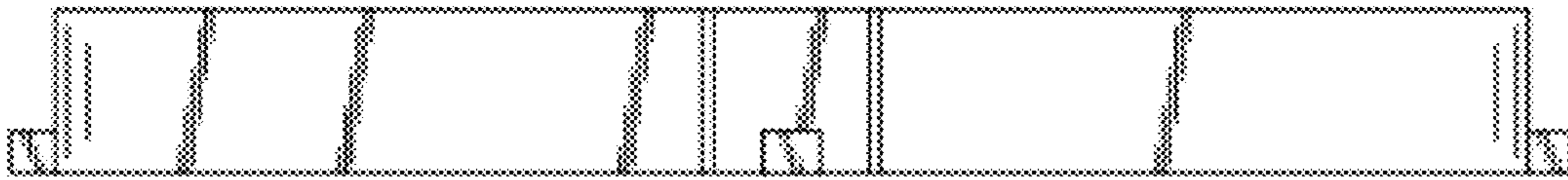


FIG.4

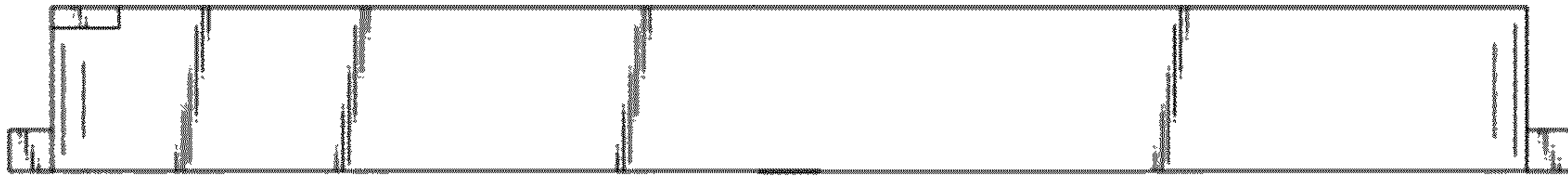


FIG.5

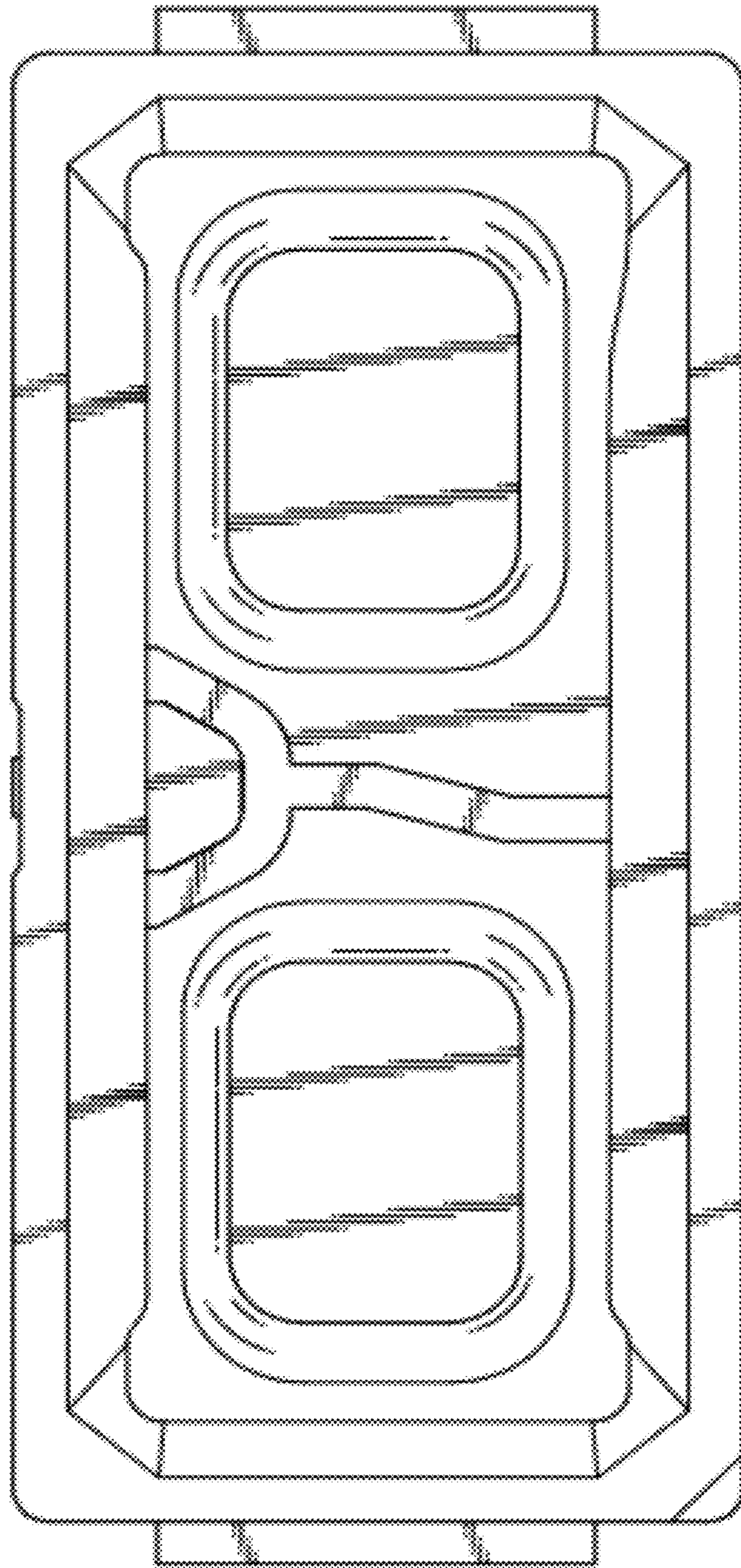


FIG.6

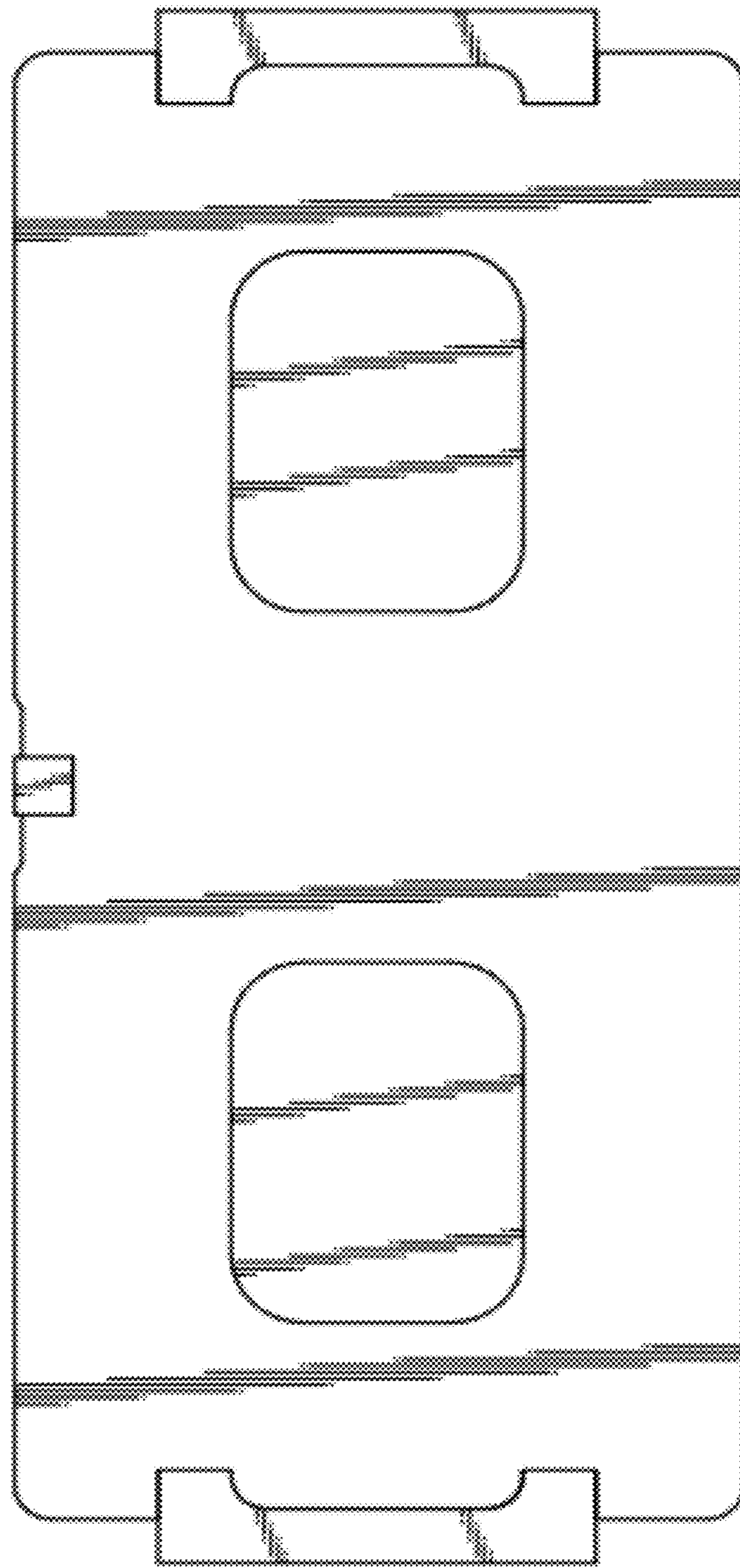


FIG. 7

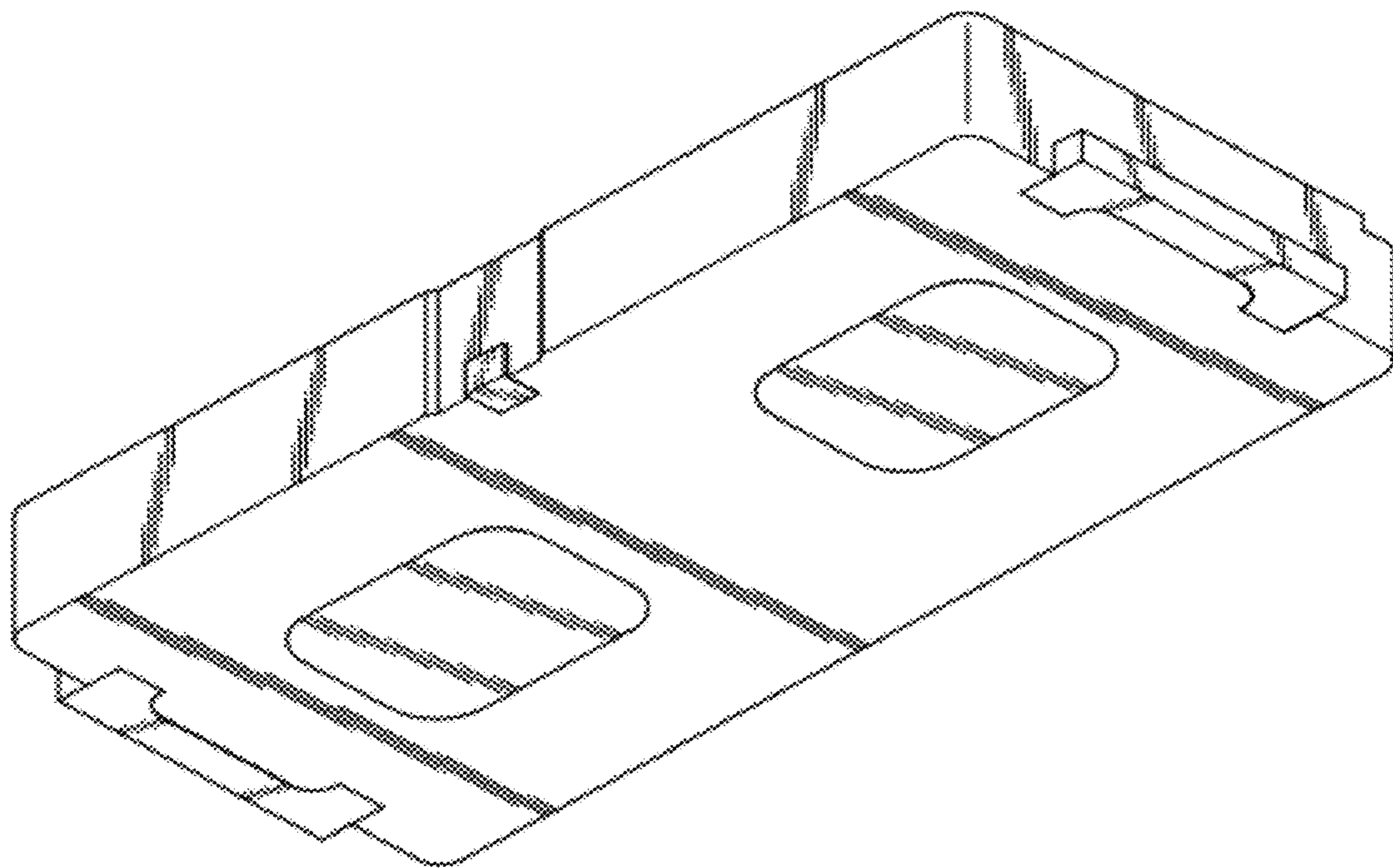


FIG.8