

US00D667383S

(12) **United States Design Patent**
Cho et al.

(10) **Patent No.:** **US D667,383 S**

(45) **Date of Patent:** **** Sep. 18, 2012**

(54) **LED PACKAGE**

(75) Inventors: **Hyun Seok Cho**, Seoul (KR); **Ji Min Park**, Seoul (KR)

(73) Assignee: **LG Innotek Co., Ltd.**, Seoul (KR)

(**) Term: **14 Years**

(21) Appl. No.: **29/404,715**

(22) Filed: **Oct. 25, 2011**

(30) **Foreign Application Priority Data**

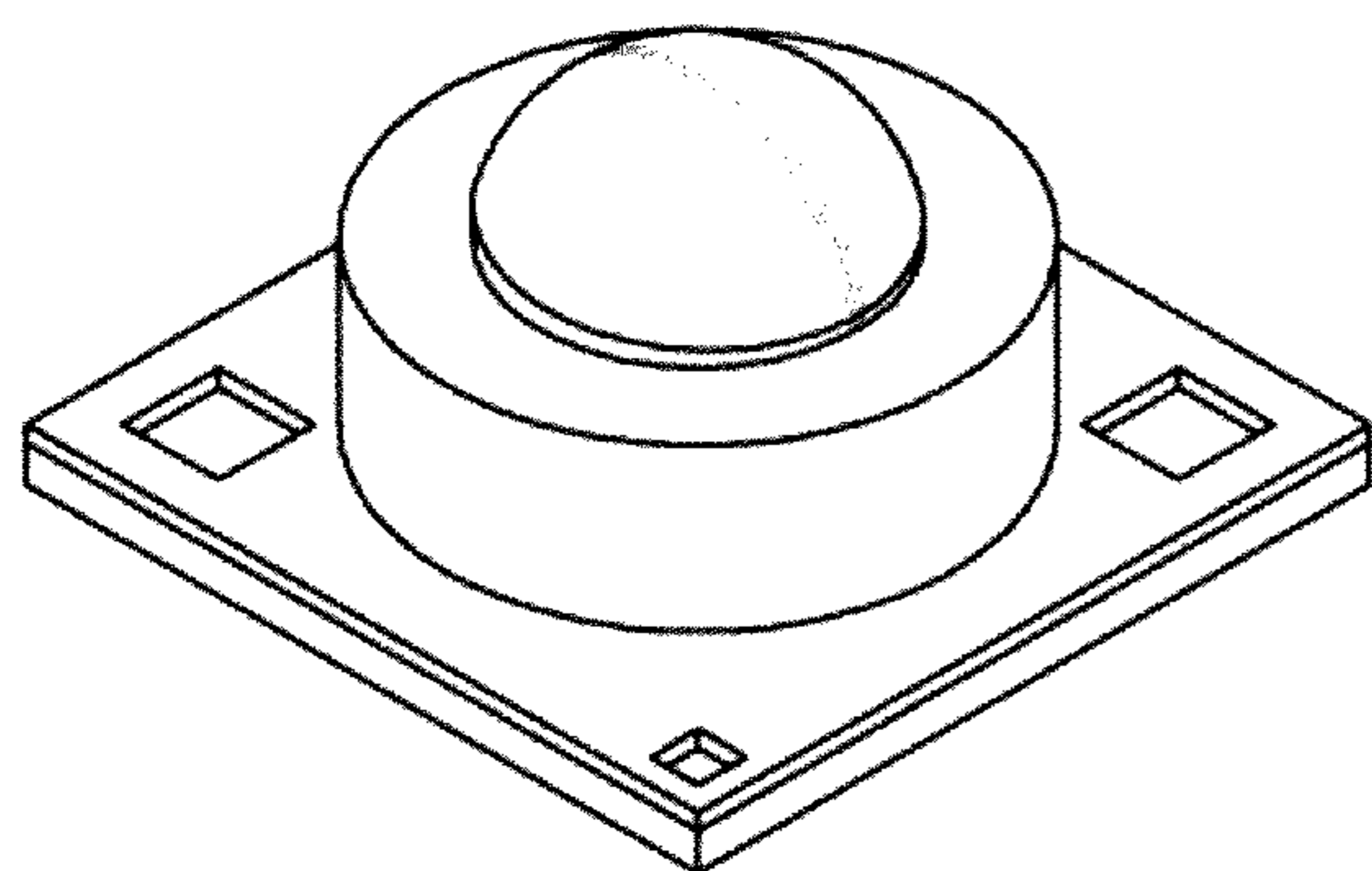
Apr. 29, 2011 (KR) 30-2011-0017650

(51) **LOC (9) Cl.** **13-03**

(52) **U.S. Cl.** **D13/180**

(58) **Field of Classification Search** D13/180;
D26/1, 2; 257/79, 80, 81, 88, 89, 95, 98,
257/99, 100, E33.058; 313/483, 498, 500;
362/555, 800

See application file for complete search history.



(56) **References Cited**

U.S. PATENT DOCUMENTS

D524,260	S	*	7/2006	Ishizaka et al.	D13/180
D555,111	S	*	11/2007	Yen	D13/180
D581,884	S	*	12/2008	Yen	D13/180
D591,697	S	*	5/2009	Andrews et al.	D13/182
D592,162	S	*	5/2009	Sugimoto et al.	D13/180
D649,521	S	*	11/2011	Lin	D13/180
2004/0136197	A1	*	7/2004	Ishida	362/487

* cited by examiner

Primary Examiner — Selina Sikder

(74) *Attorney, Agent, or Firm* — Lowe Hauptman Ham & Berner, LLP

(57) **CLAIM**

The ornamental design for a LED package, as shown and described.

DESCRIPTION

FIG. 1 is a perspective view of a LED package showing my/our new design;
FIG. 2 is a front elevational view thereof;
FIG. 3 is a rear elevational view thereof;
FIG. 4 is a left side elevational view thereof, the right side being a mirror image;
FIG. 5 is a top plan view thereof; and,
FIG. 6 is a bottom plan view thereof.

1 Claim, 3 Drawing Sheets

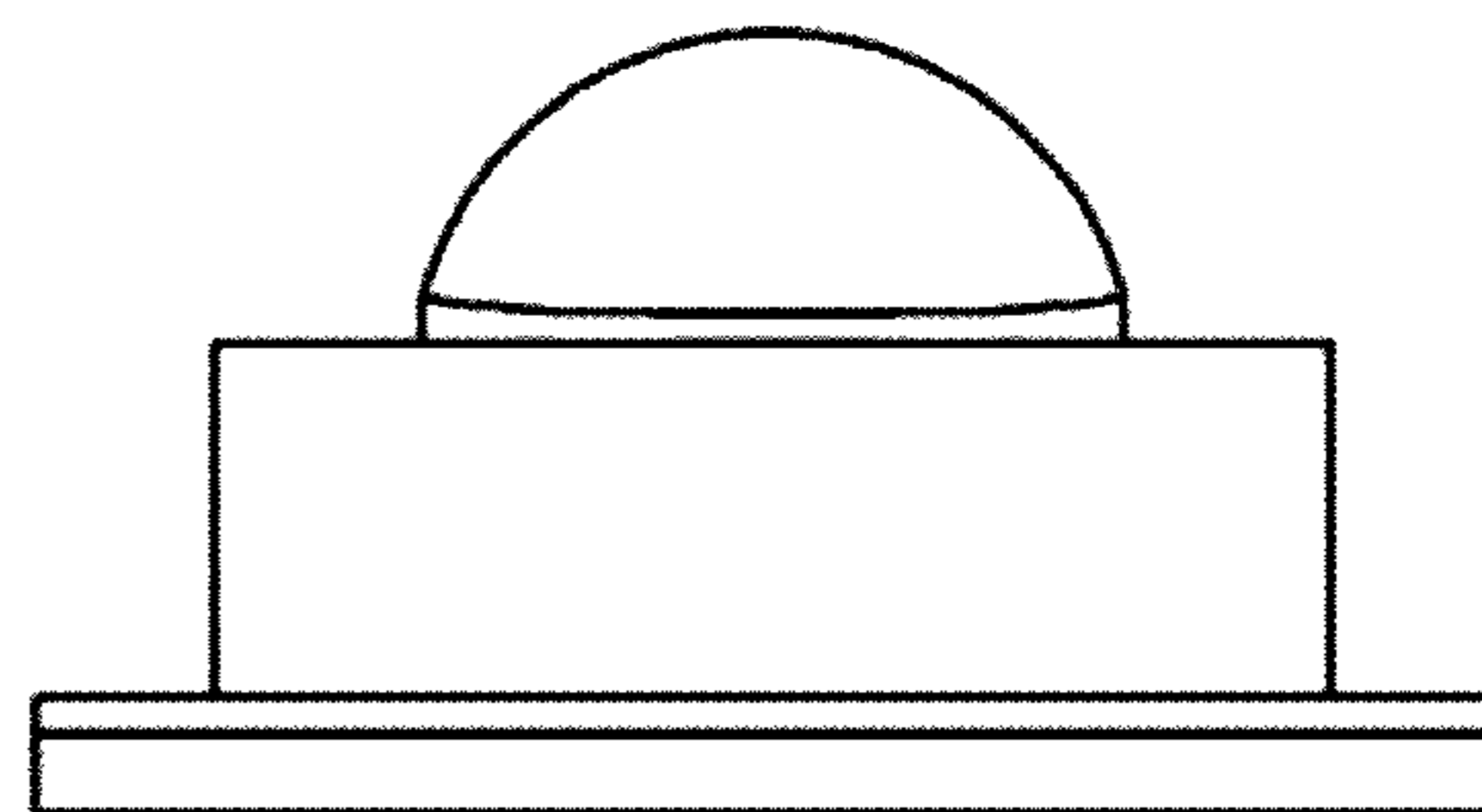


FIG. 1

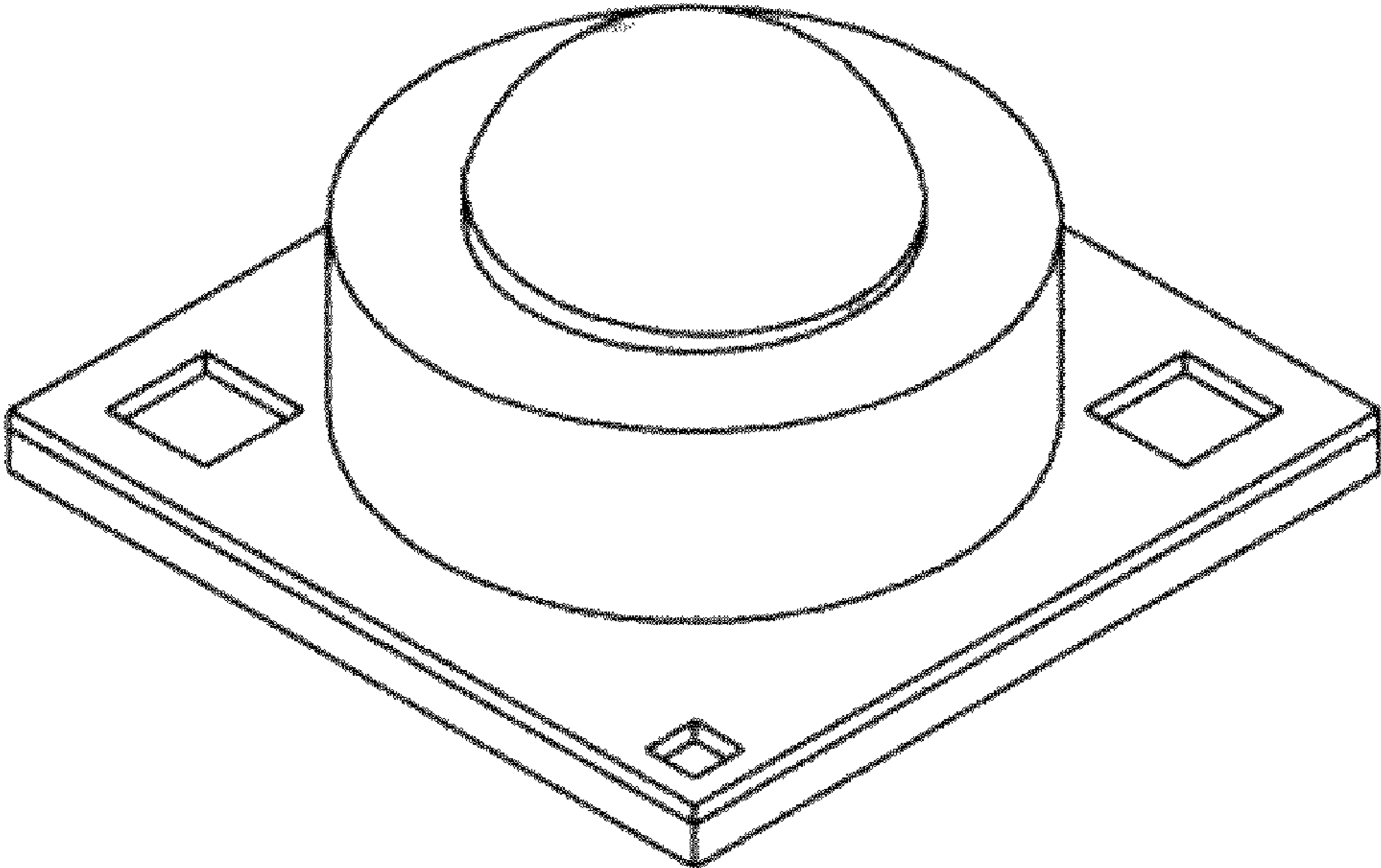


FIG. 2

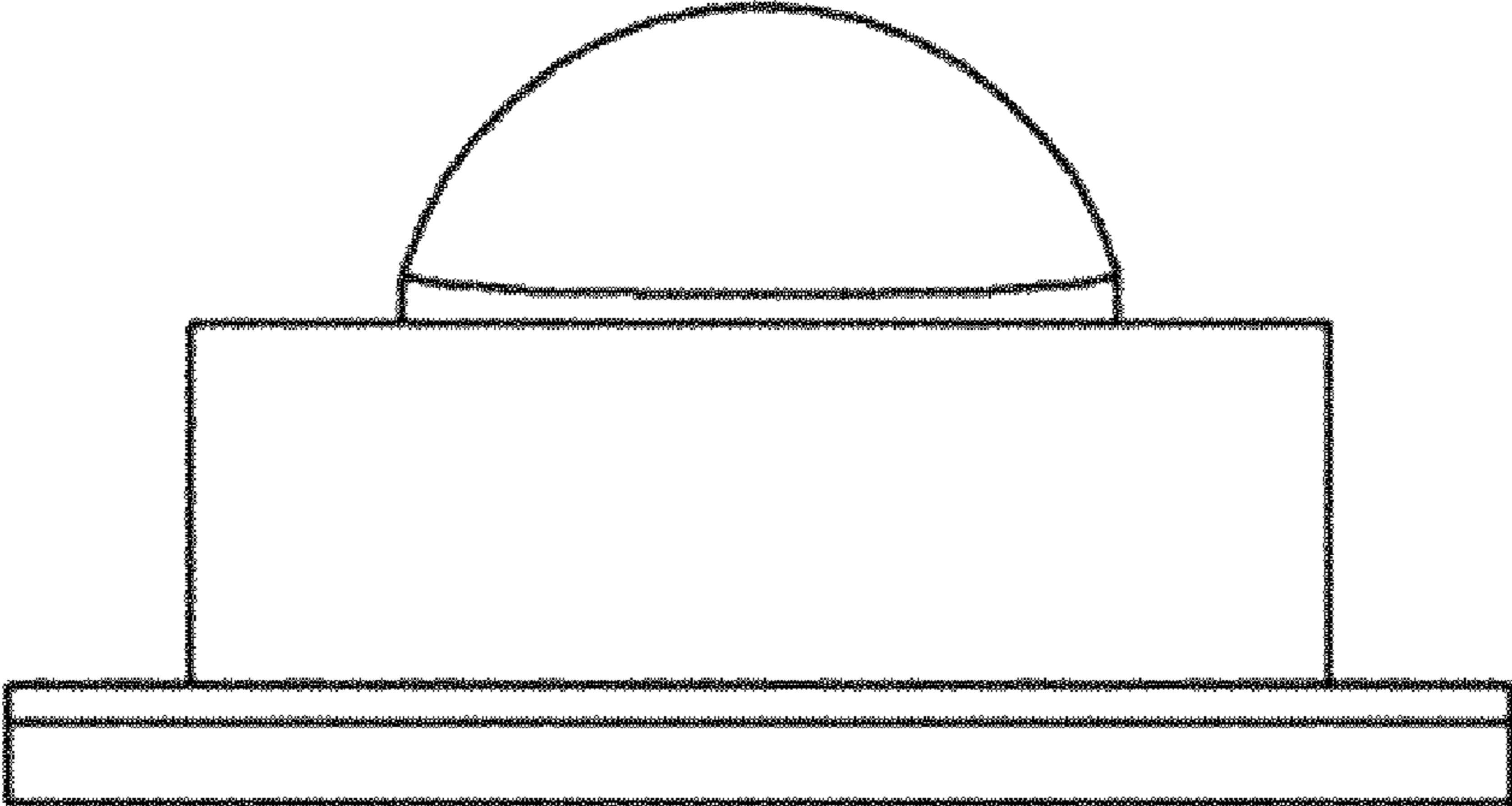


FIG. 3

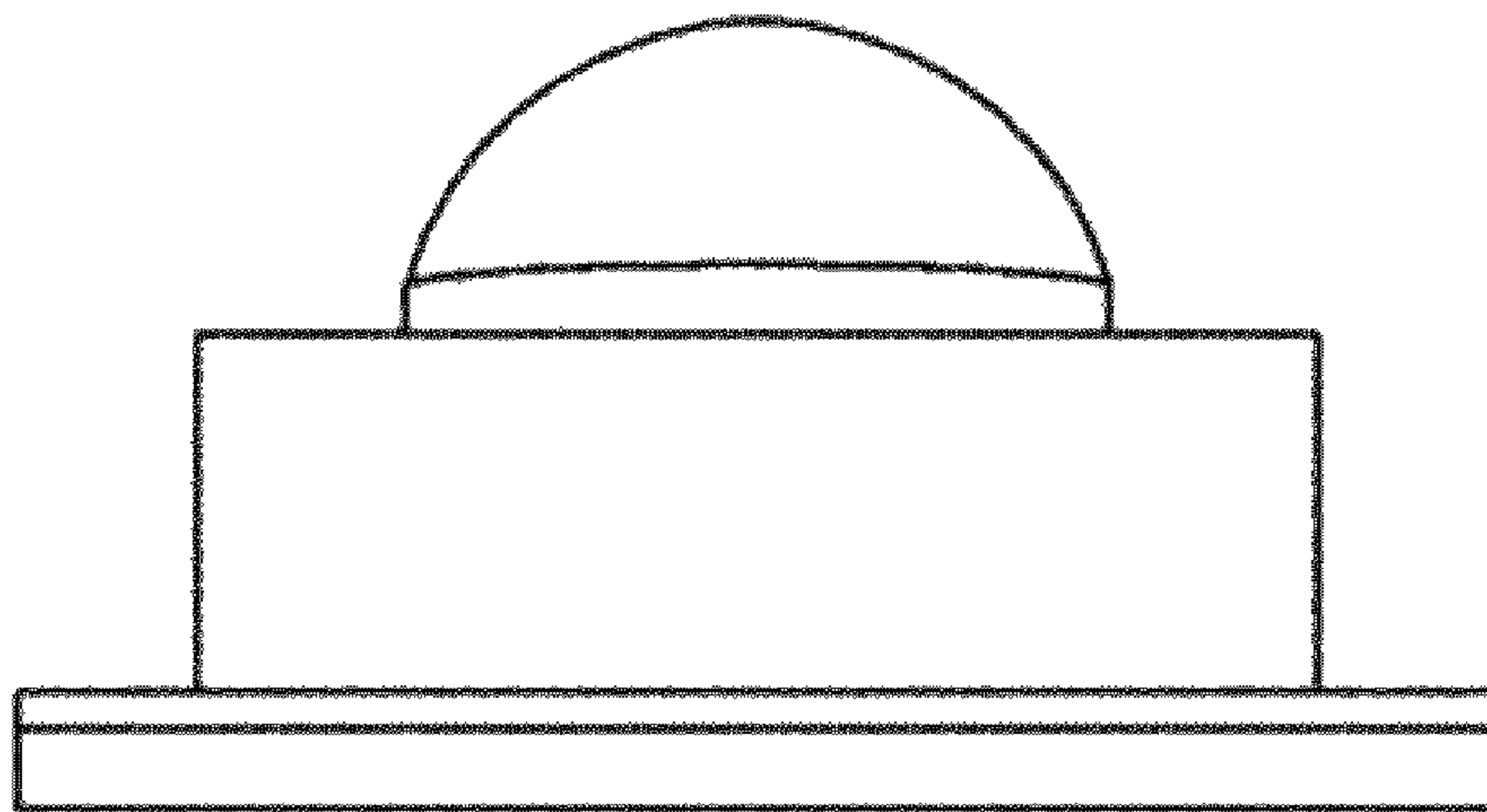


FIG. 4

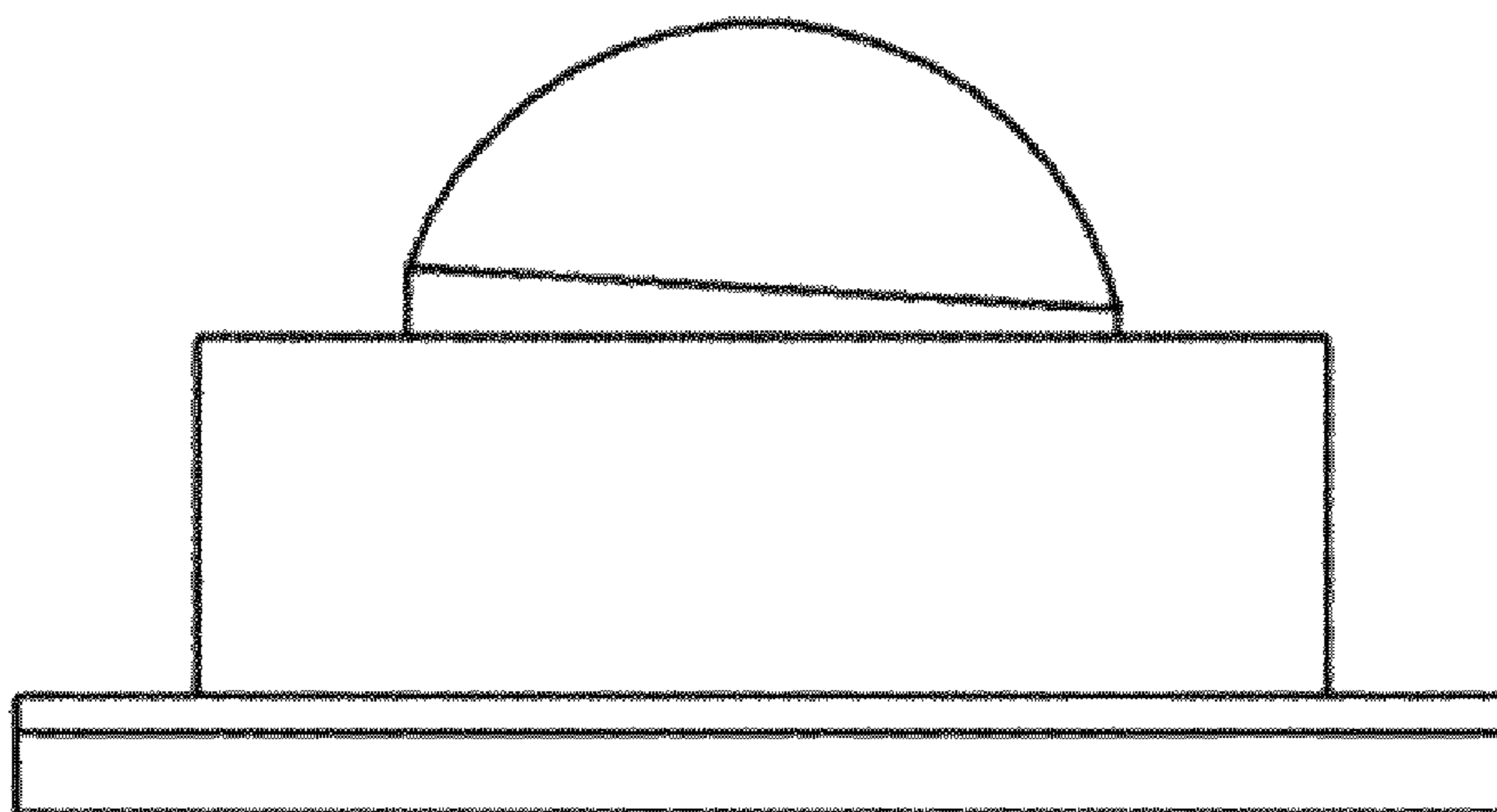


FIG. 5

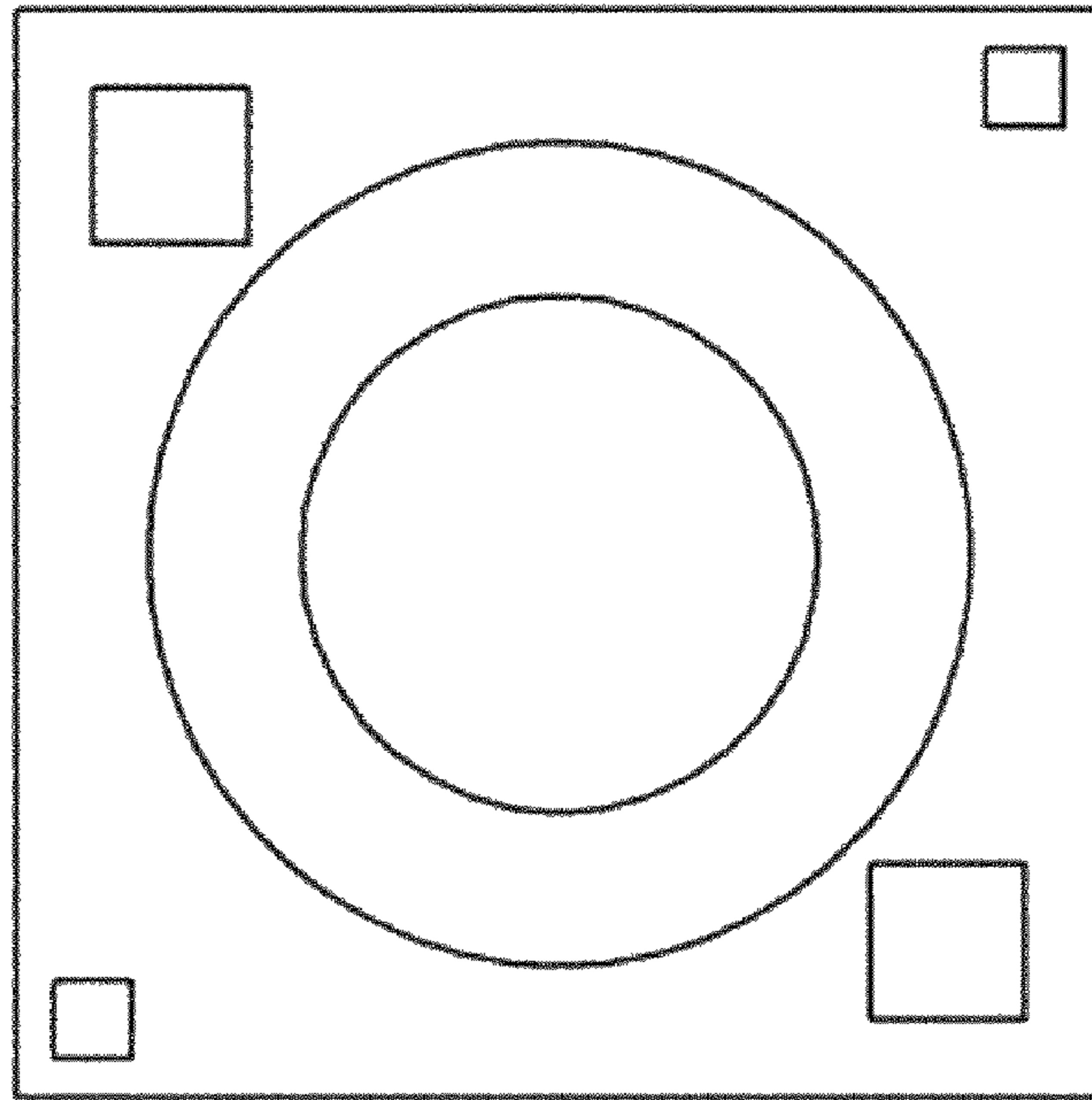


FIG. 6

