



US00D667381S

(12) **United States Design Patent**
Rolli et al.

(10) **Patent No.:** **US D667,381 S**

(45) **Date of Patent:** **** Sep. 18, 2012**

(54) **CONTROLLER FOR AN ELECTRONIC DEVICE**

(75) Inventors: **Kilian Rolli**, Baden (CH); **Axel Hammen**, Lengnau (CH); **Joachim Lange**, Uhlingen-Birkendorf (DE); **David Conroy**, Brooklyn, NY (US)

(73) Assignee: **Marlafin AG**, Hagendorn (CH)

(**) Term: **14 Years**

(21) Appl. No.: **29/397,993**

(22) Filed: **Jul. 25, 2011**

(30) **Foreign Application Priority Data**

Jun. 14, 2011 (EM) 608547901

(51) **LOC (9) Cl.** **14-03**

(52) **U.S. Cl.** **D13/168**

(58) **Field of Classification Search** D13/168;
D10/104.1, 106.1; D14/218, 402, 454; 340/4.3,
340/4.42, 12.22, 12.23, 12.24, 12.29, 12.3,
340/13.2, 13.21, 13.24; 341/176; 345/163,
345/169; 700/17, 65, 83

See application file for complete search history.

(56) **References Cited**

U.S. PATENT DOCUMENTS

D375,909	S *	11/1996	Dziersk et al.	D10/106.1
D430,854	S *	9/2000	Vende et al.	D13/168
D493,792	S *	8/2004	Rueb et al.	D14/402
D495,665	S *	9/2004	Stekelenburg	D13/168
D508,247	S *	8/2005	Fisher et al.	D14/402
7,133,026	B2 *	11/2006	Horie et al.	345/163
D589,906	S *	4/2009	Tupinier	D13/168
D602,916	S *	10/2009	Won et al.	D14/218
D618,684	S *	6/2010	Ng	D14/402
2011/0279372	A1 *	11/2011	Xu	345/163

* cited by examiner

Primary Examiner — Selina Sikder

(74) *Attorney, Agent, or Firm* — Stites & Harbison PLLC; Douglas E. Jackson

(57) **CLAIM**

The ornamental design for a controller for an electronic device, as shown and described.

DESCRIPTION

FIG. 1 is front view of a controller for an electronic device showing the new design.

FIG. 2 is a top view thereof.

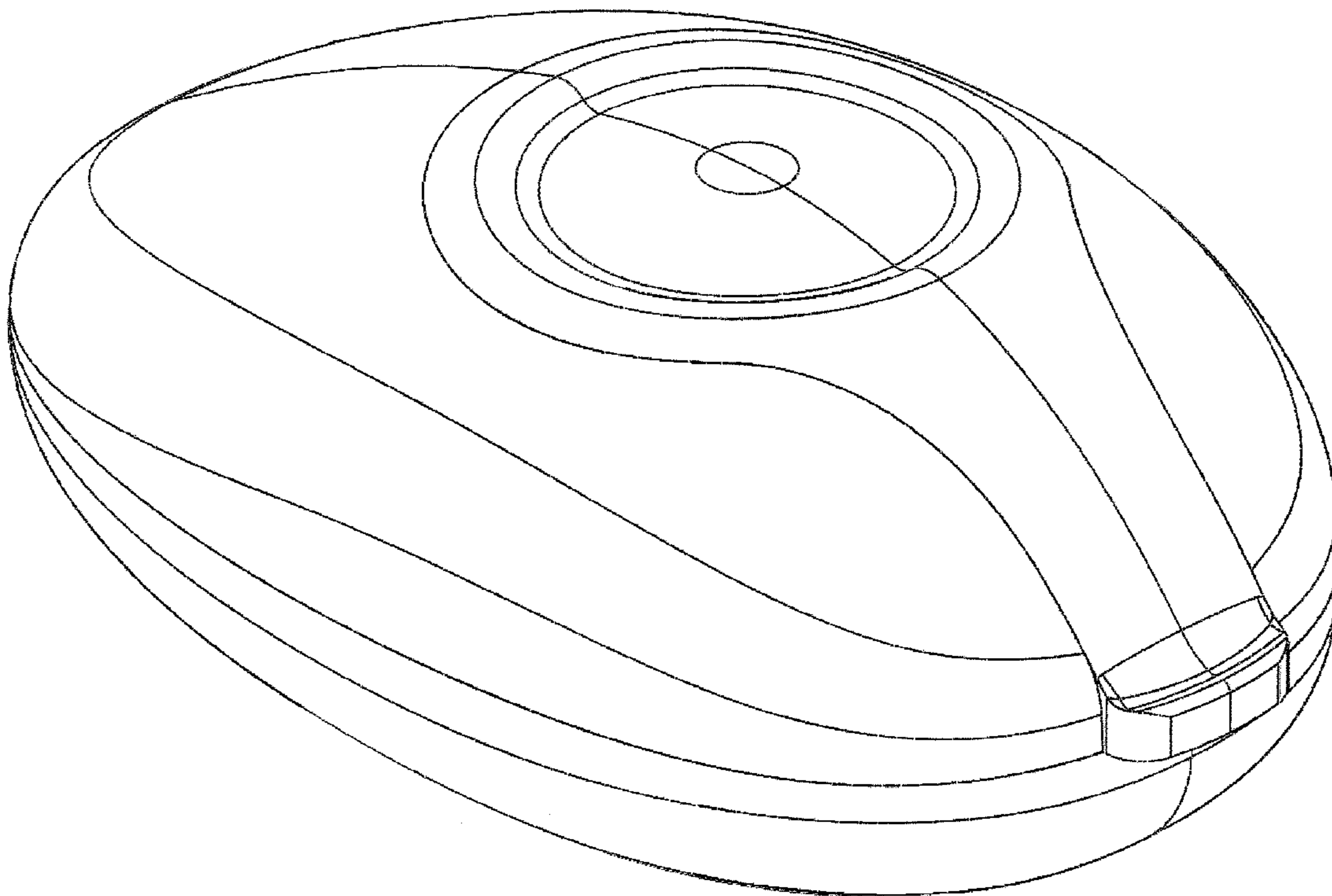
FIG. 3 is a left side view thereof, with the right side view being a mirror image thereof.

FIG. 4 is a bottom view thereof.

FIG. 5 is rear view thereof; and,

FIG. 6 is a front, bottom and right side perspective view thereof.

1 Claim, 6 Drawing Sheets



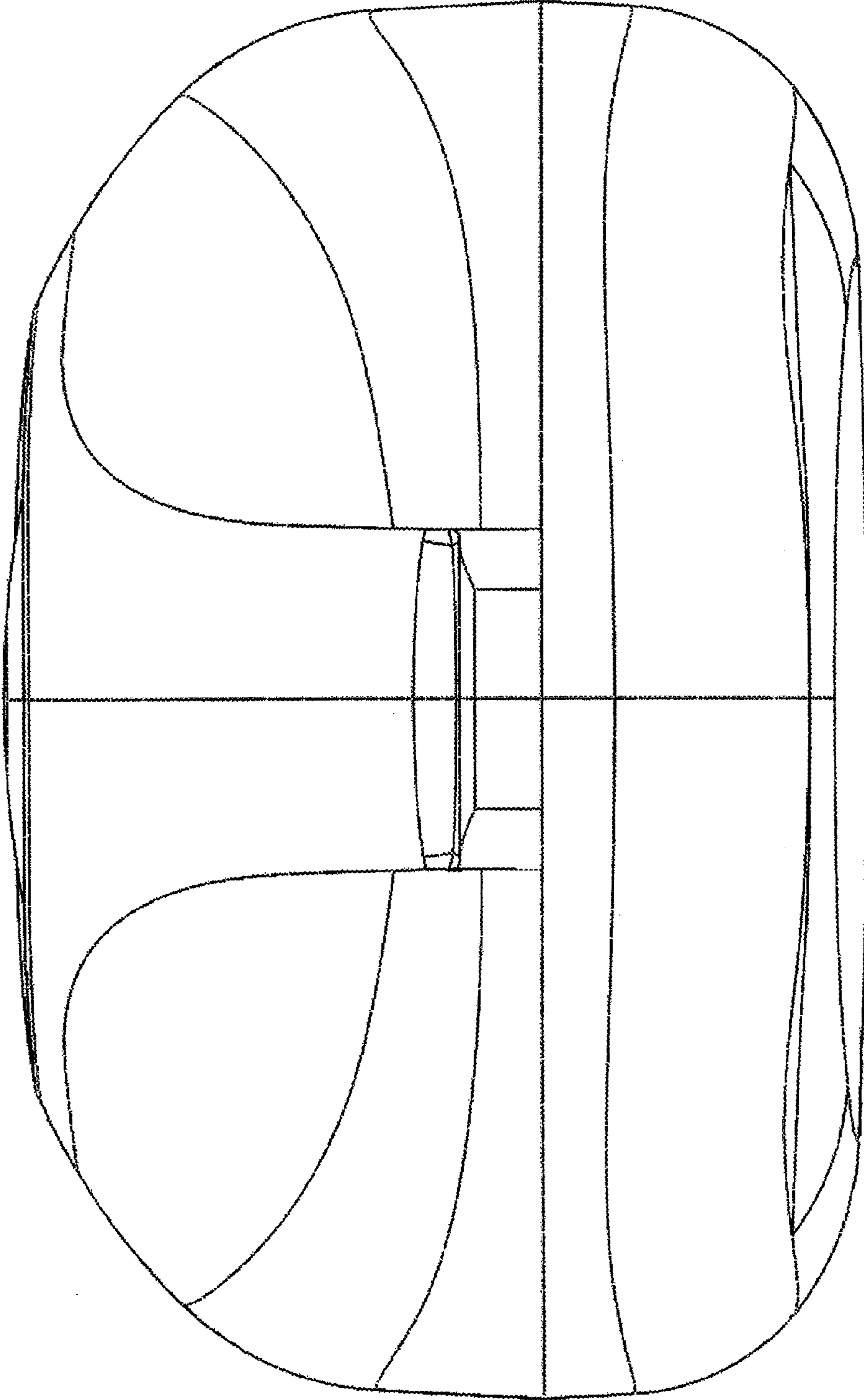


FIG. 1

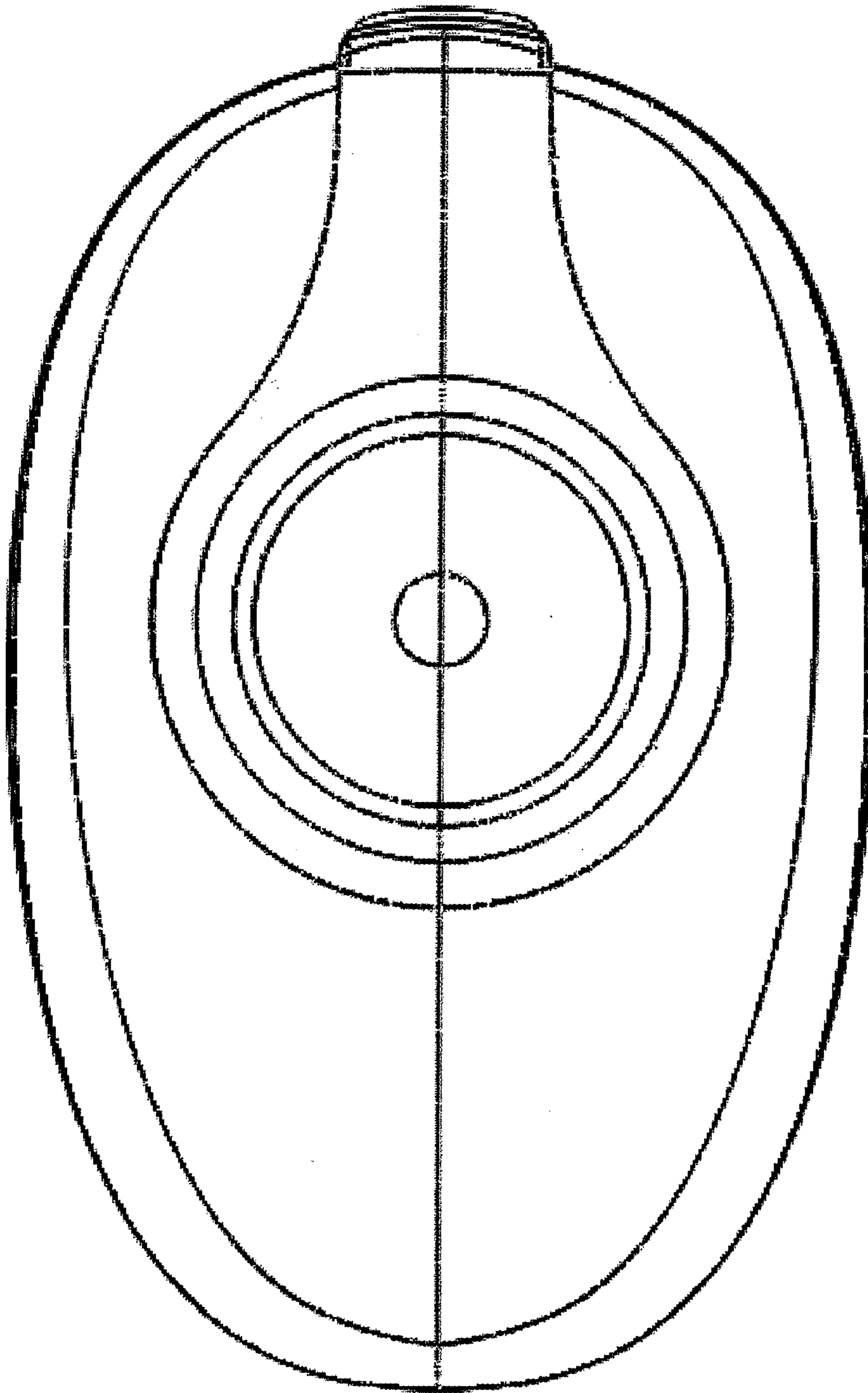


FIG. 2



FIG. 3

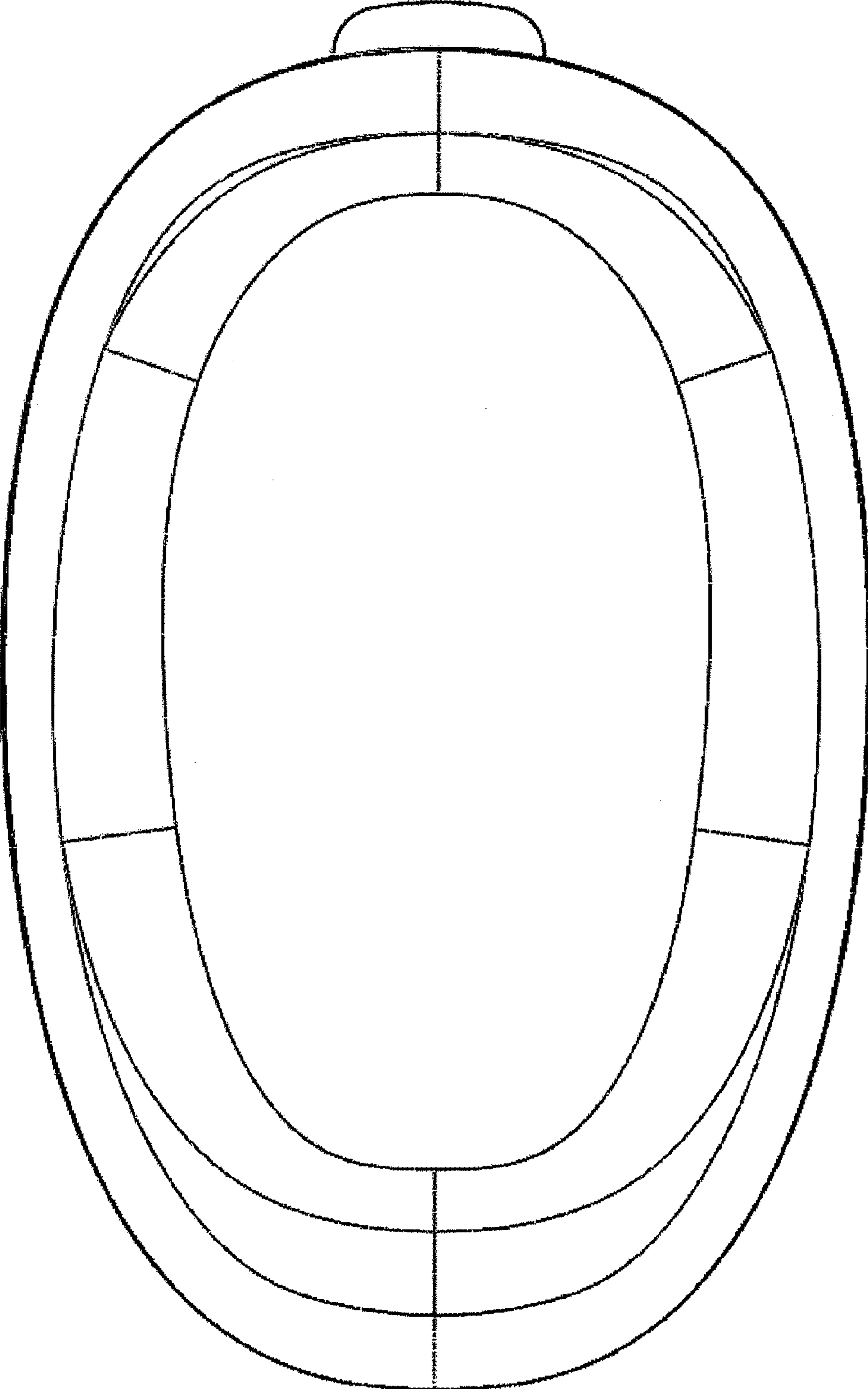


FIG. 4

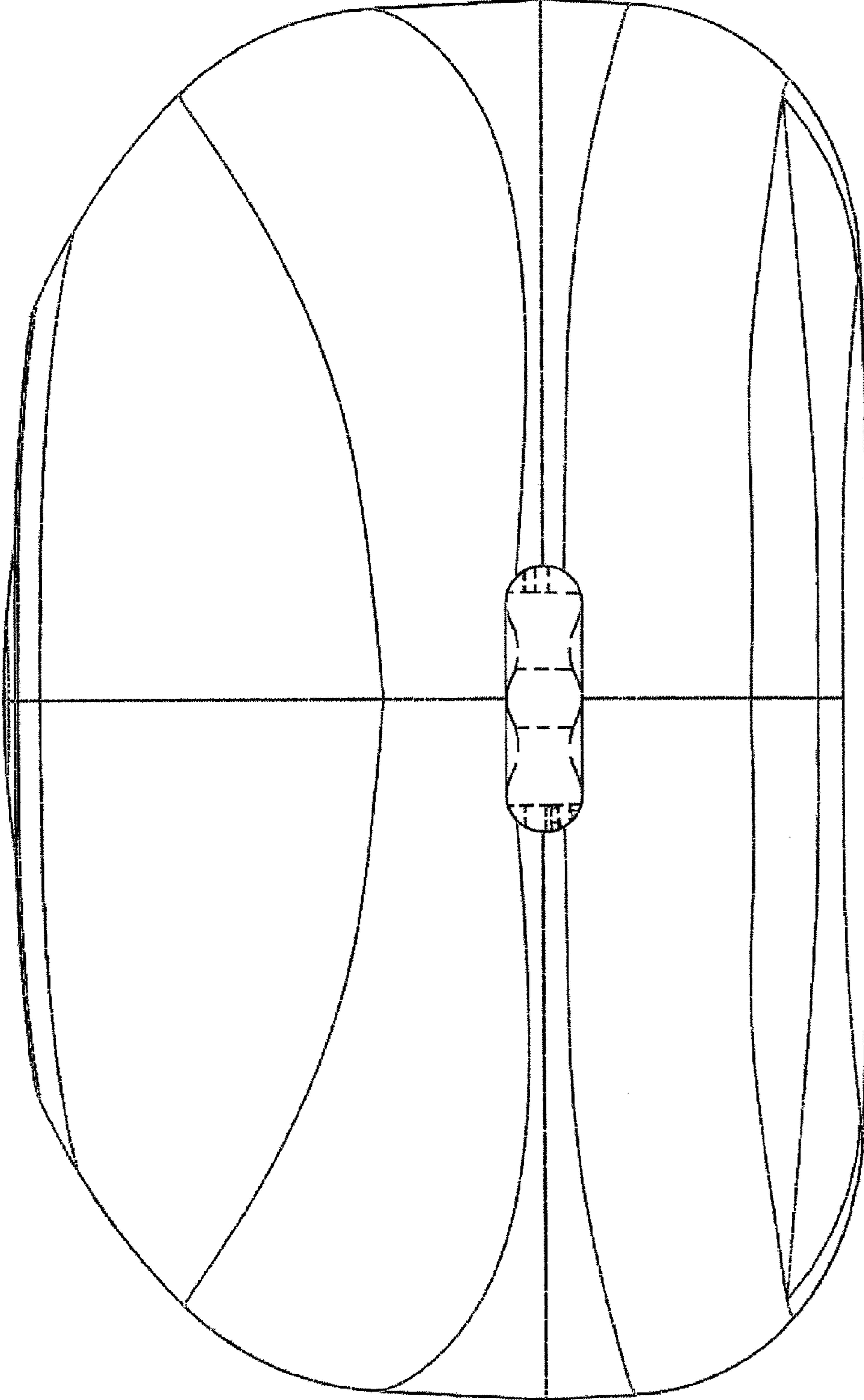


FIG. 5

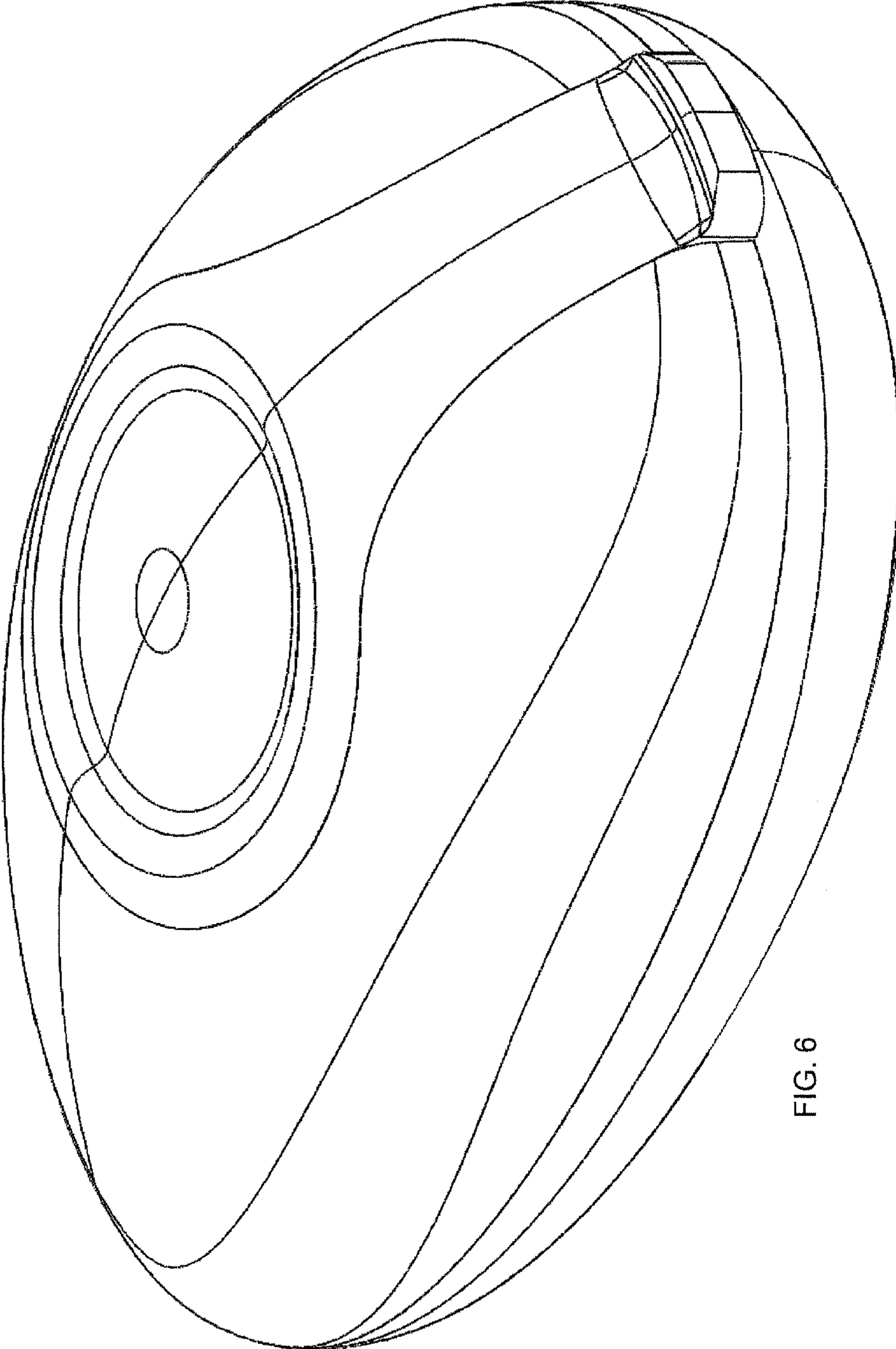


FIG. 6