



US00D667380S

(12) **United States Design Patent**  
**Ishikawa et al.**

(10) **Patent No.:** **US D667,380 S**

(45) **Date of Patent:** **\*\* Sep. 18, 2012**

(54) **SWITCH FOR HOIST**

(75) Inventors: **Kazumitsu Ishikawa**, Yamanashi (JP);  
**Tetsu Hiroshima**, Yamanashi (JP);  
**Kazuhiro Nishikawa**, Yamanashi (JP);  
**Shigeo Terai**, Kofu (JP)

(73) Assignee: **Kito Corporation**, Tamaashi (JE)

(\*\*) Term: **14 Years**

(21) Appl. No.: **29/392,542**

(22) Filed: **May 23, 2011**

(30) **Foreign Application Priority Data**

Nov. 25, 2010 (JP) ..... 2010-028163

(51) **LOC (9) Cl.** ..... **14-03**

(52) **U.S. Cl.** ..... **D13/168**

(58) **Field of Classification Search** ..... D13/168;  
200/5 E, 61.85, 298, 314, 341  
See application file for complete search history.

(56) **References Cited**

**U.S. PATENT DOCUMENTS**

3,654,415 A \* 4/1972 Hawkins et al. .... 200/302.3  
D252,567 S \* 8/1979 Harbage et al. .... D13/168  
D263,299 S \* 3/1982 Jacobs ..... D13/168

D270,441 S \* 9/1983 Moldenhauer ..... D13/168  
D272,339 S \* 1/1984 Penland et al. .... D13/168  
4,520,247 A \* 5/1985 Pancook et al. .... 200/298  
4,849,587 A \* 7/1989 Bacon ..... 200/61.85  
6,525,282 B2 \* 2/2003 Krebs et al. .... 200/298  
D552,562 S \* 10/2007 Yamamoto et al. .... D13/168

\* cited by examiner

*Primary Examiner* — Selina Sikder

(74) *Attorney, Agent, or Firm* — Christie, Parker, Hale, LLP.

(57) **CLAIM**

The ornamental design for a switch for hoist, as shown and described.

**DESCRIPTION**

FIG. 1 is a perspective view of a switch for hoist showing our new design;

FIG. 2 is a front elevational view thereof;

FIG. 3 is a rear elevational view thereof;

FIG. 4 is a right side elevational view thereof; a left side elevational view is a mirror image of the right side elevational view;

FIG. 5 is a top plan view thereof; and,

FIG. 6 is a bottom plan view thereof.

The broken line showing in the figures is for illustrative purposes only and forms no part of the claimed design.

**1 Claim, 3 Drawing Sheets**

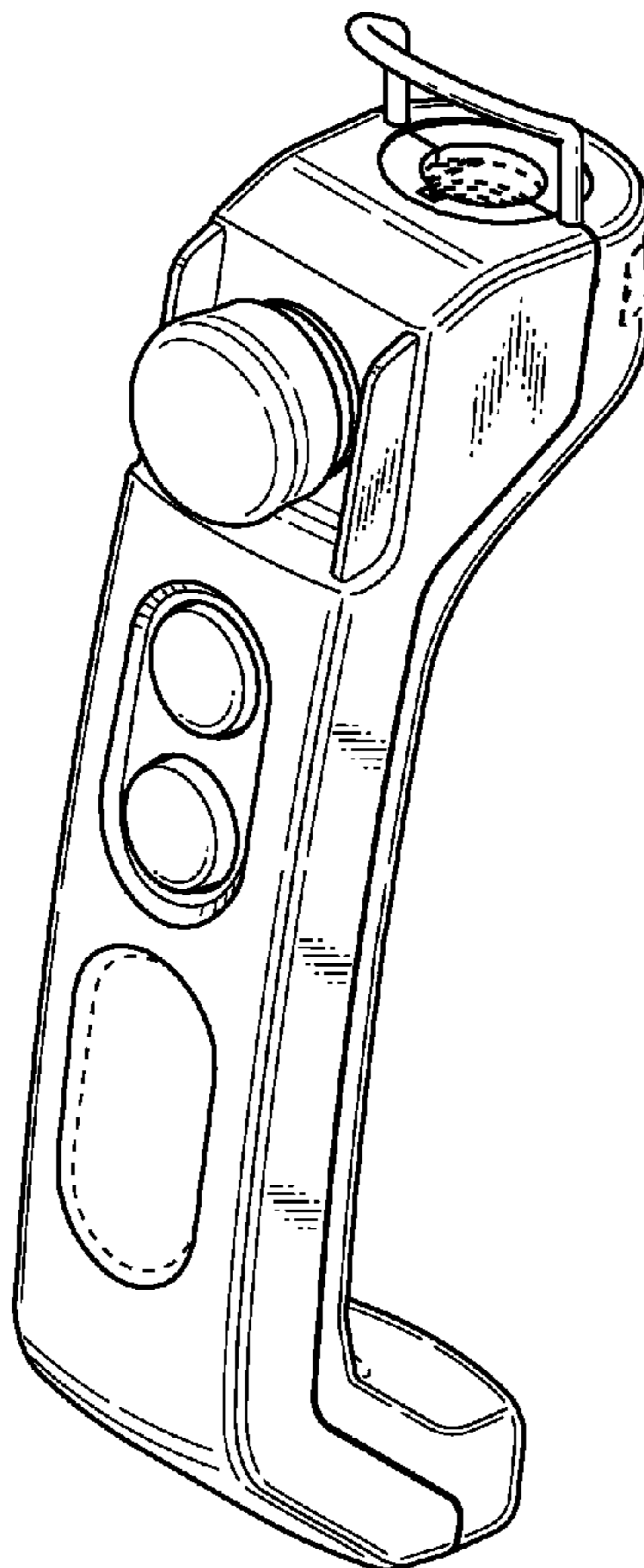


Fig. 1

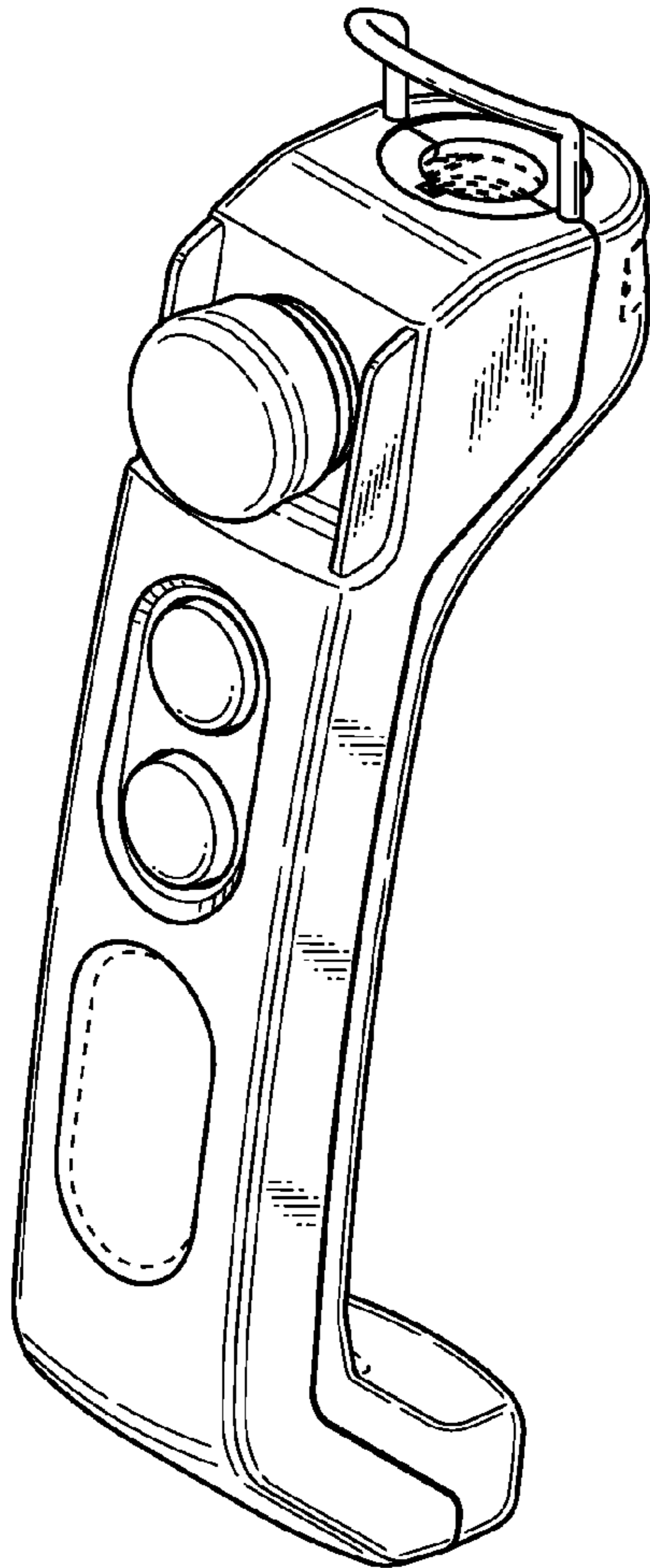


Fig. 2

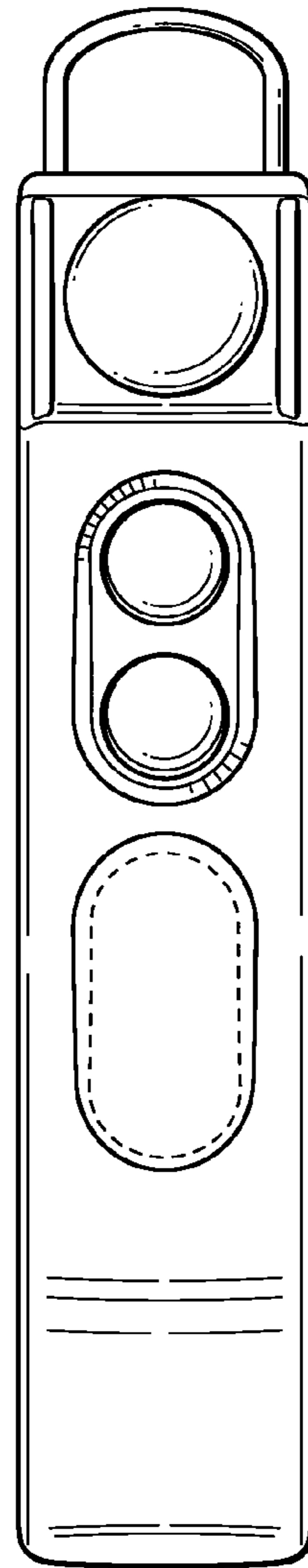


Fig. 3

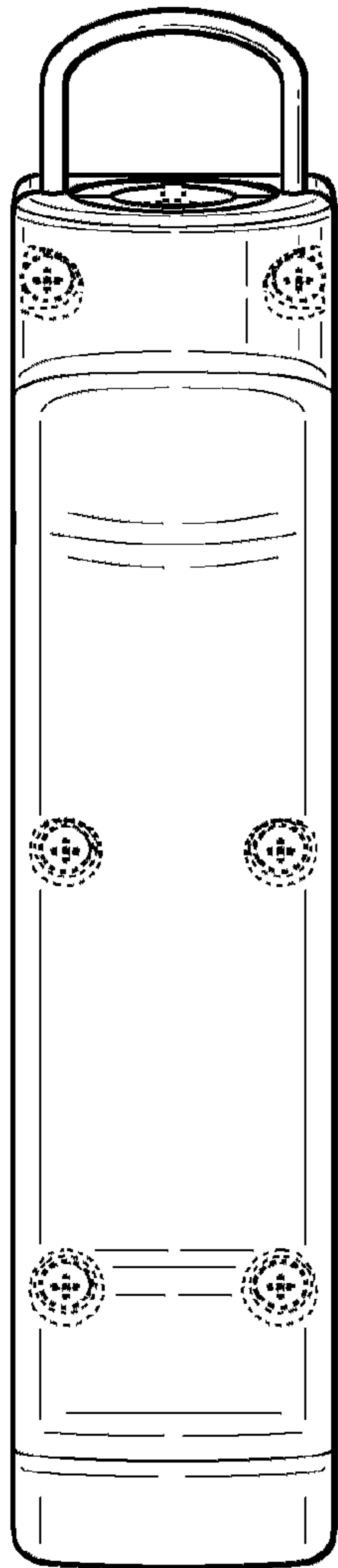


Fig. 4

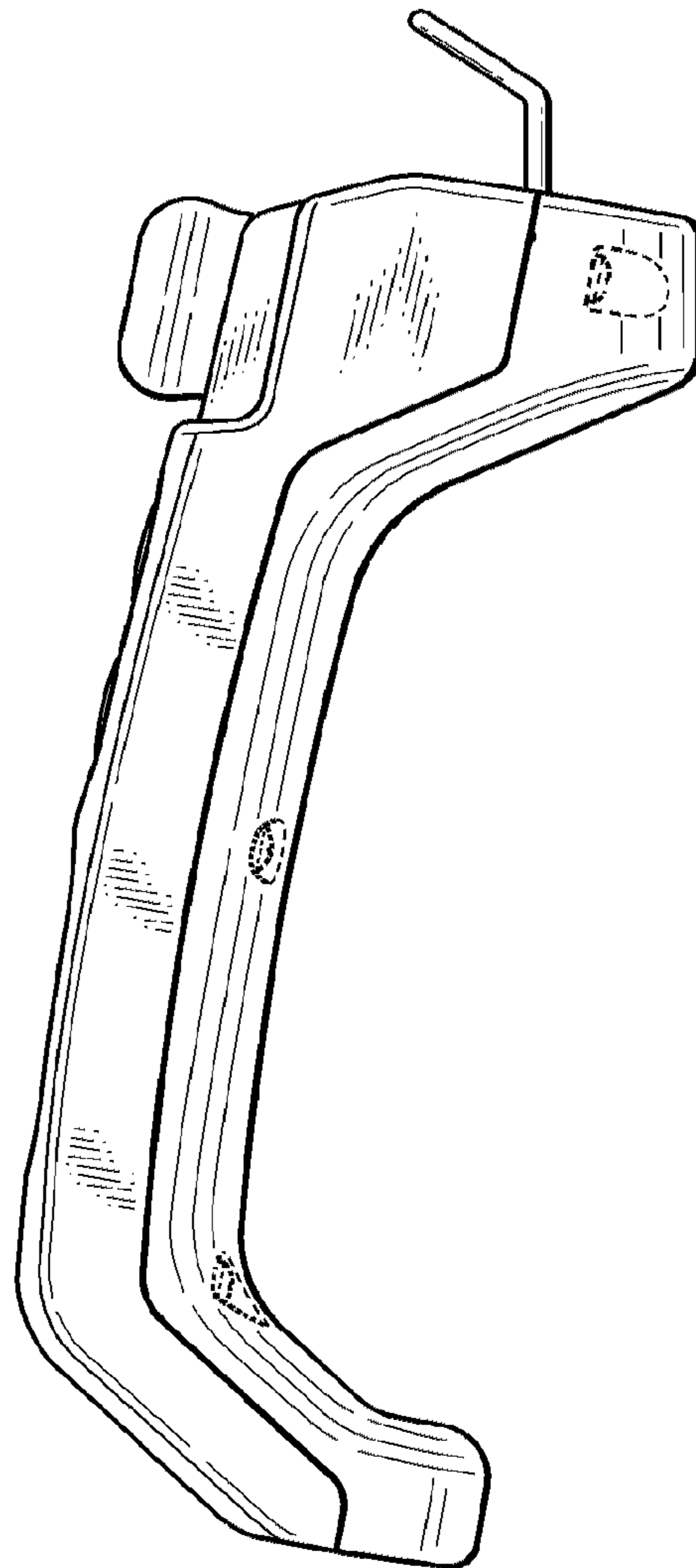


Fig.5

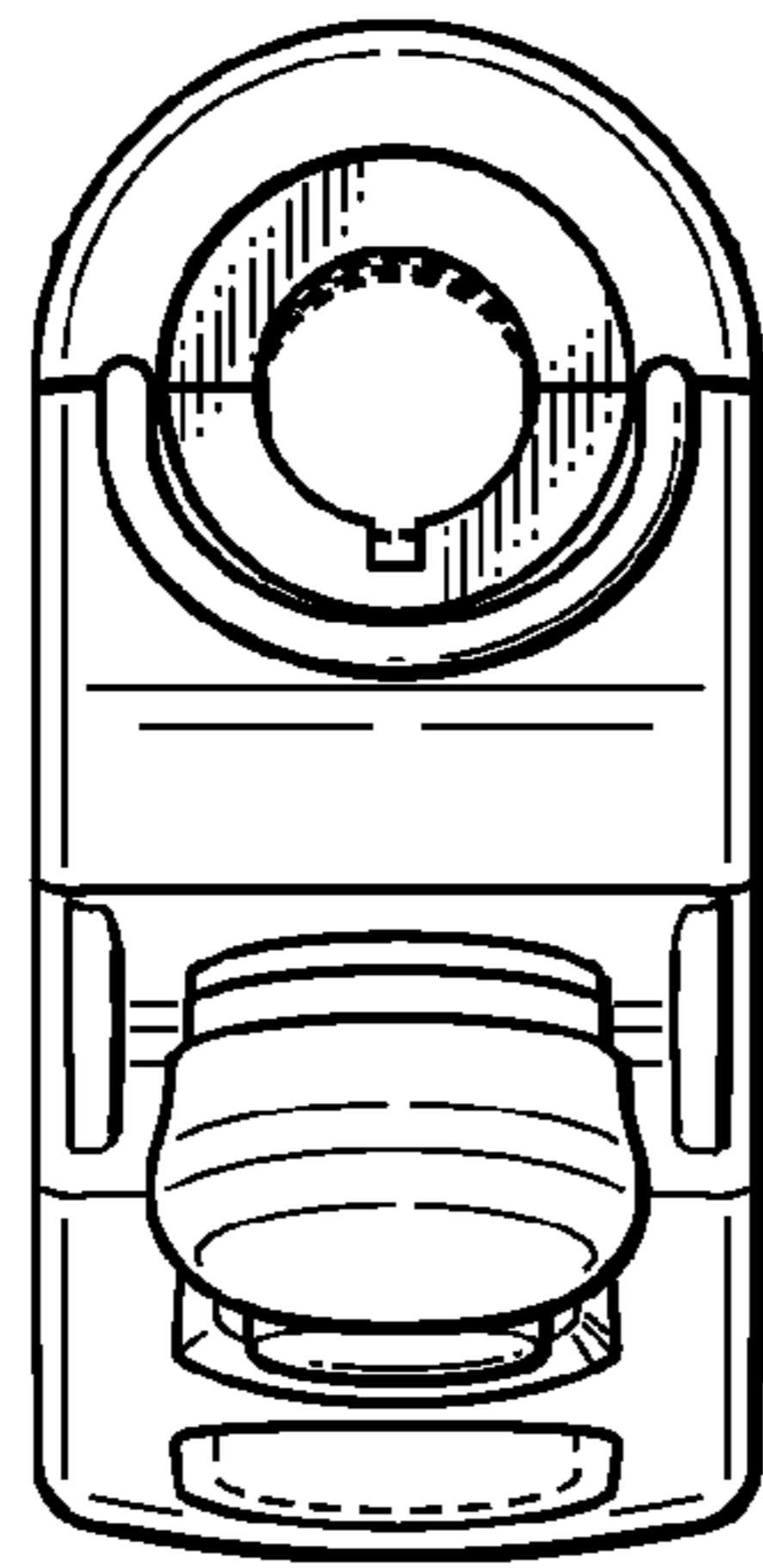


Fig.6

