



US00D667379S

(12) **United States Design Patent**  
**Fukushima et al.**

(10) **Patent No.:** **US D667,379 S**

(45) **Date of Patent:** **\*\* Sep. 18, 2012**

(54) **ELECTRIC CONNECTOR**

(75) Inventors: **Hiroataka Fukushima**, Kakegawa (JP);  
**Takashi Tsukamoto**, Kakegawa (JP)

(73) Assignee: **Yazaki Corporation**, Tokyo (JP)

(\*\*) Term: **14 Years**

(21) Appl. No.: **29/397,979**

(22) Filed: **Jul. 25, 2011**

(30) **Foreign Application Priority Data**

Jan. 25, 2011 (JP) ..... D2011-001391

(51) **LOC (9) Cl.** ..... **13-03**

(52) **U.S. Cl.** ..... **D13/146; D13/133**

(58) **Field of Classification Search** ..... D13/107-109,  
D13/118-119, 133, 146, 147, 154, 184, 199;  
D23/226; 320/104, 107-115, FOR. 104,  
320/FOR. 119, DIG. 35

See application file for complete search history.

(56) **References Cited**

**U.S. PATENT DOCUMENTS**

5,350,312 A \* 9/1994 Kuno et al. .... 439/310  
D390,827 S \* 2/1998 Sekimori et al. .... D13/146  
D636,334 S \* 4/2011 Kato et al. .... D13/119

8,016,607 B2 \* 9/2011 Brown, II ..... 439/353  
D655,242 S \* 3/2012 Holthusen ..... D13/107  
2011/0145141 A1 \* 6/2011 Blain ..... 705/39

\* cited by examiner

*Primary Examiner* — Daniel Bui

(74) *Attorney, Agent, or Firm* — Sughrue Mion, PLLC

(57) **CLAIM**

The ornamental design for an electric connector, as shown and described.

**DESCRIPTION**

FIG. 1 is a perspective view of the front, top and right side of an electric connector showing our new design;

FIG. 2 is a front view thereof;

FIG. 3 is a rear view thereof;

FIG. 4 is a top plan view thereof;

FIG. 5 is a bottom plan view thereof;

FIG. 6 is a right side elevation view thereof; and,

FIG. 7 is a front, top and right side perspective view thereof, in use condition.

Left side view is omitted from the drawings, since the left side view appears to be symmetrical with the right side view.

The broken line portion of the figure drawings is included for the purpose of illustrating environment and forms no part of the claimed design.

**1 Claim, 5 Drawing Sheets**

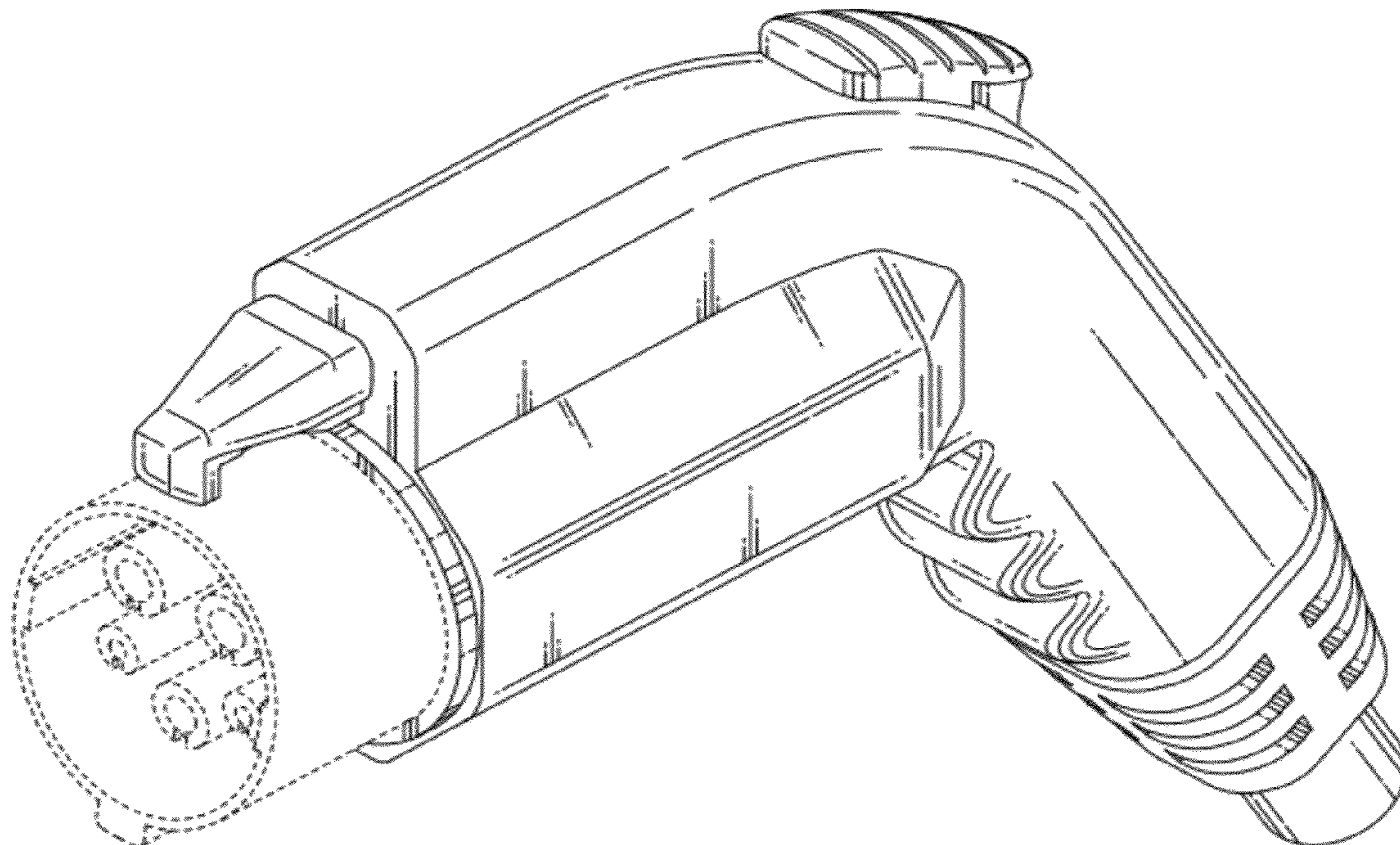


Fig. 1

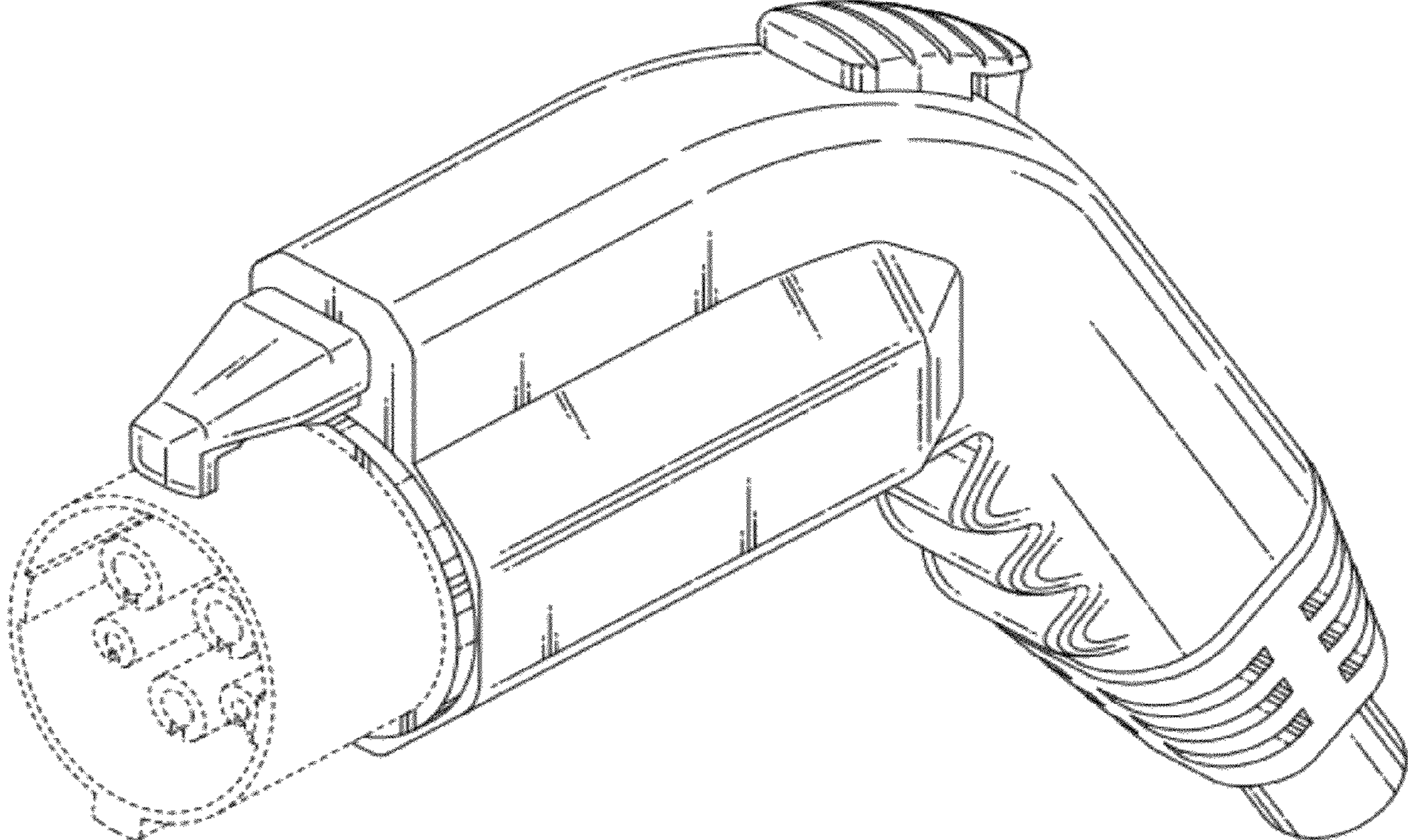


Fig. 2

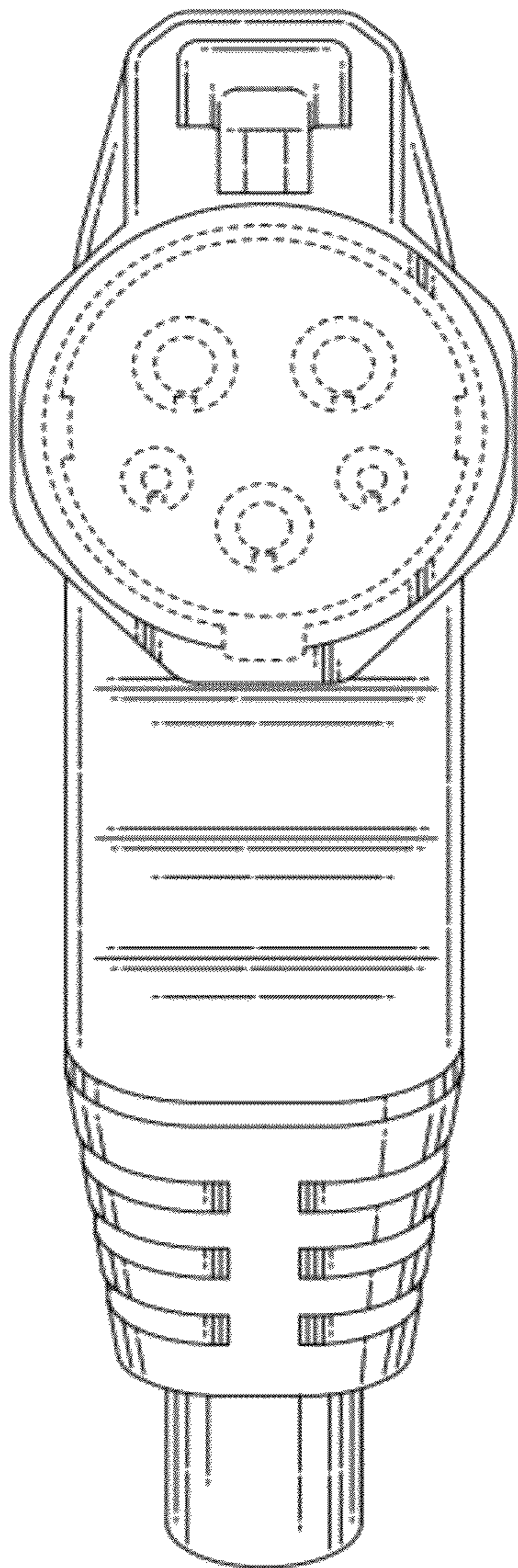


Fig. 3

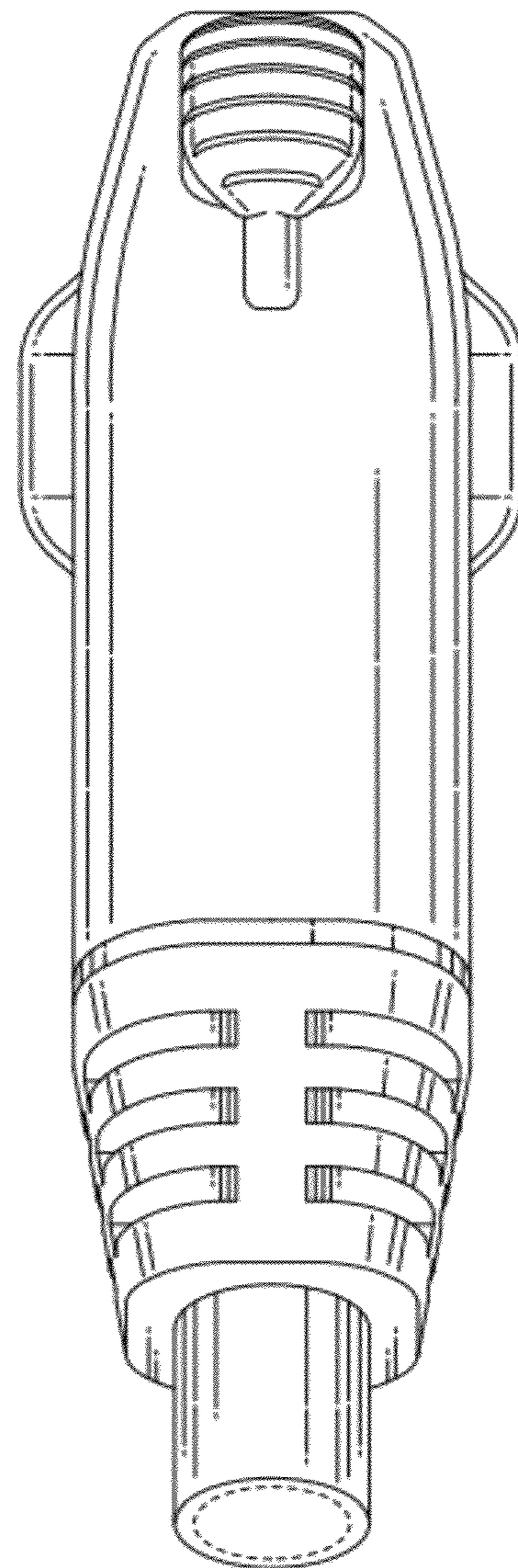


Fig. 4

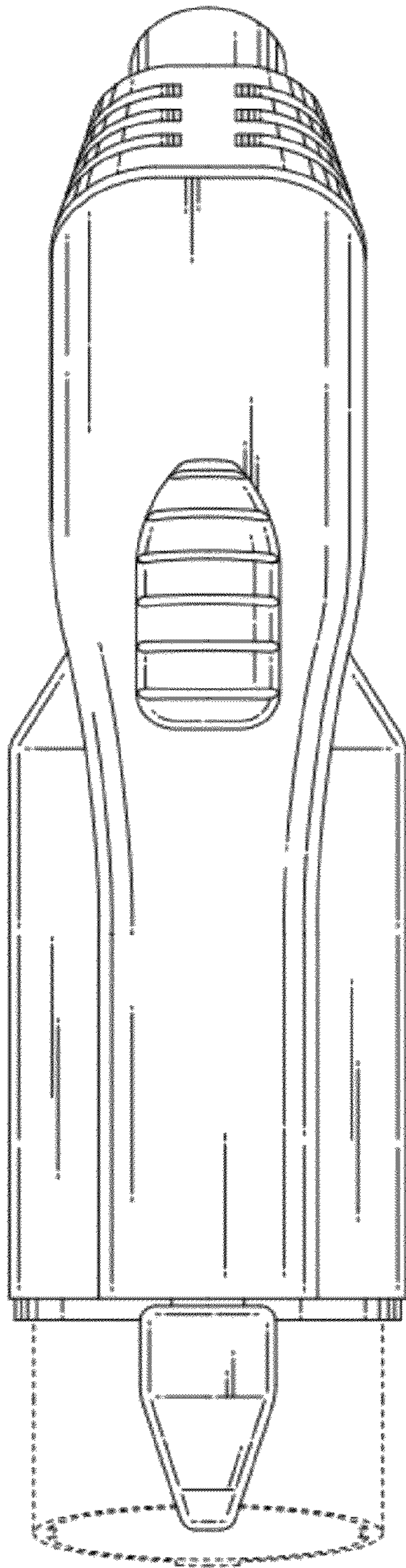
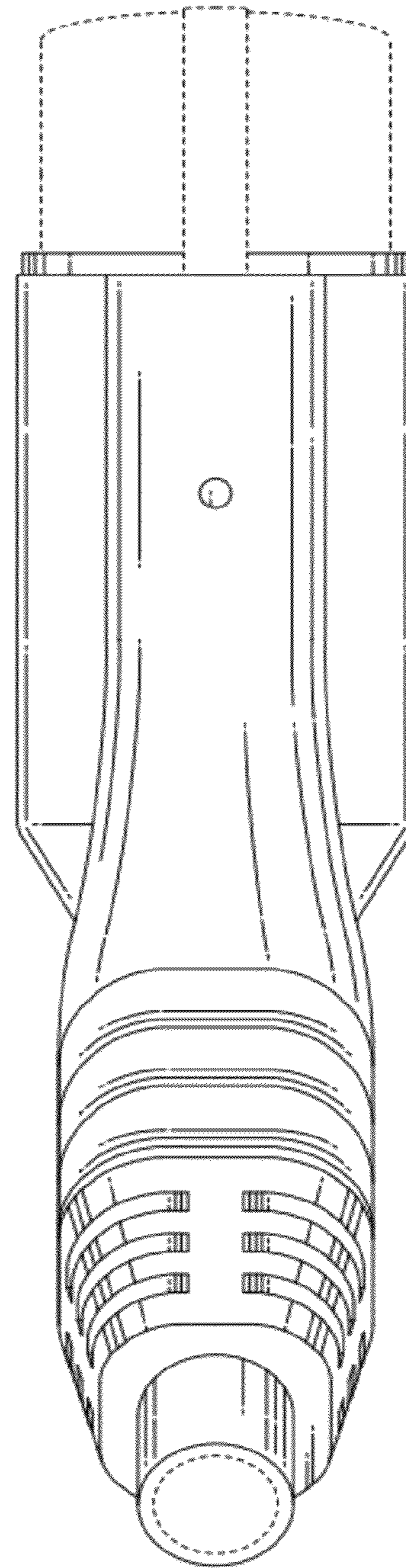


Fig. 5



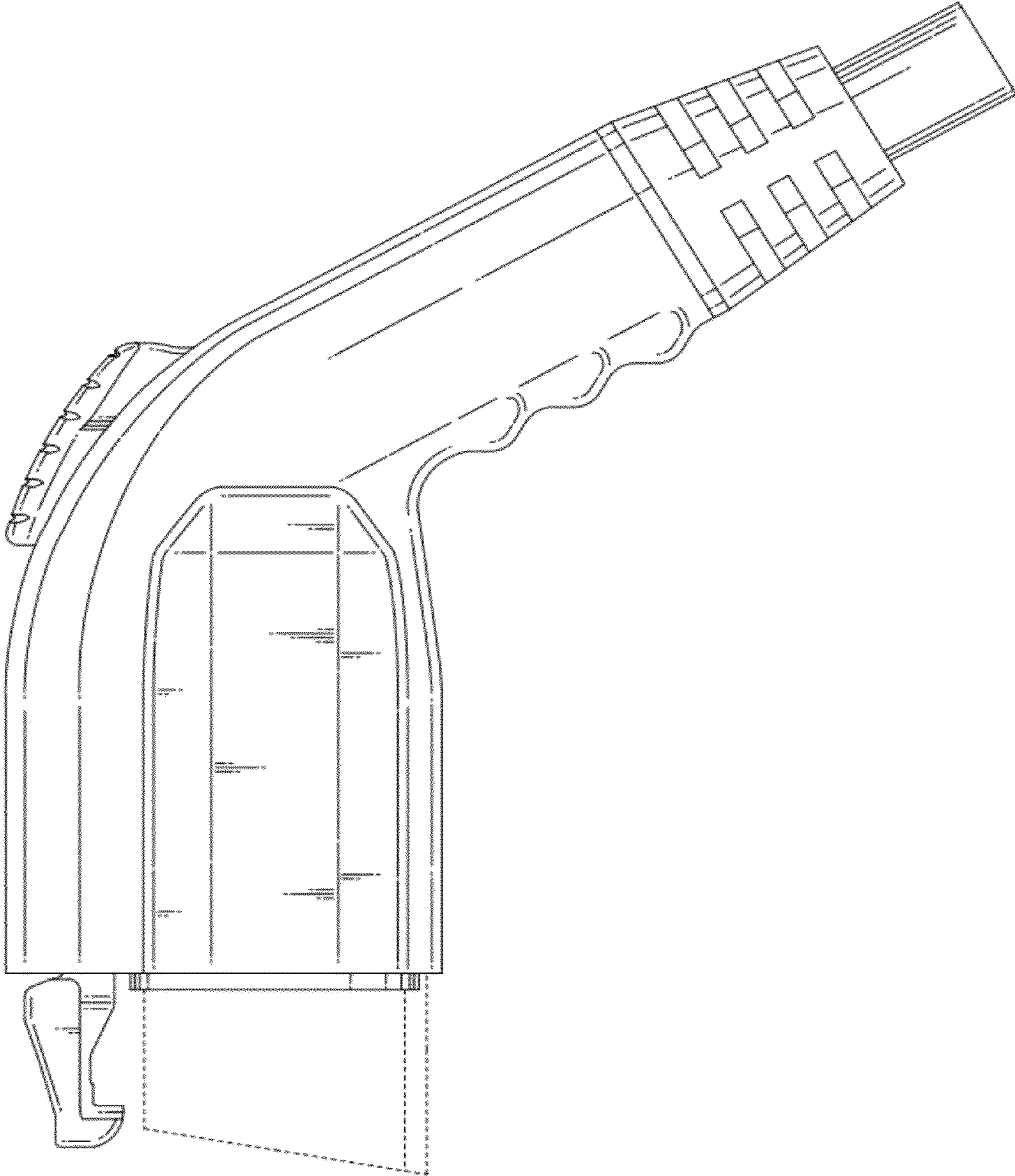


Fig. 6

Fig. 7

