

US00D667377S

(12) **United States Design Patent**
Chan

(10) **Patent No.:** **US D667,377 S**

(45) **Date of Patent:** **** Sep. 18, 2012**

(54) **DUAL USB ACTIVE VEHICLE POWER
ADAPTER PLUG WITH CAPTURE**

(75) Inventor: **Jackson Chun Chan**, Diamond Bar, CA
(US)

(73) Assignee: **Ever Win International Corporation**,
City of Industry, CA (US)

(**) Term: **14 Years**

(21) Appl. No.: **29/406,565**

(22) Filed: **Nov. 16, 2011**

(51) **LOC (9) Cl.** **13-03**

(52) **U.S. Cl.** **D13/144**

(58) **Field of Classification Search** D13/144,
D13/107, 110, 118, 119, 120, 133, 154, 184,
D13/199; D14/155, 217, 433; 320/65, 107,
320/108, 109; 363/13, 146; 439/300, 620,
439/638, 668, 669, 675, 825

See application file for complete search history.

(56) **References Cited**

U.S. PATENT DOCUMENTS

5,116,248	A *	5/1992	Hiers et al.	439/669
D398,287	S *	9/1998	Luminosu	D13/144
D400,176	S *	10/1998	Jones	D13/144
5,964,623	A *	10/1999	Maher et al.	439/668
D494,542	S *	8/2004	Hriscu et al.	D13/110
D505,389	S *	5/2005	Chang	D13/107
D525,937	S *	8/2006	Seil et al.	D13/144

D525,938	S *	8/2006	Seil et al.	D13/144
D569,342	S *	5/2008	Suzuki	D13/110
D604,699	S	11/2009	Yamamoto		
D624,498	S	9/2010	Chan		
D624,499	S	9/2010	Chan		
D625,267	S	10/2010	Tseng et al.		
D625,689	S	10/2010	Chan		
D625,690	S	10/2010	Chan		
D626,072	S	10/2010	Tseng et al.		

* cited by examiner

Primary Examiner — Derrick Holland

(74) *Attorney, Agent, or Firm* — Joe Nieh

(57) **CLAIM**

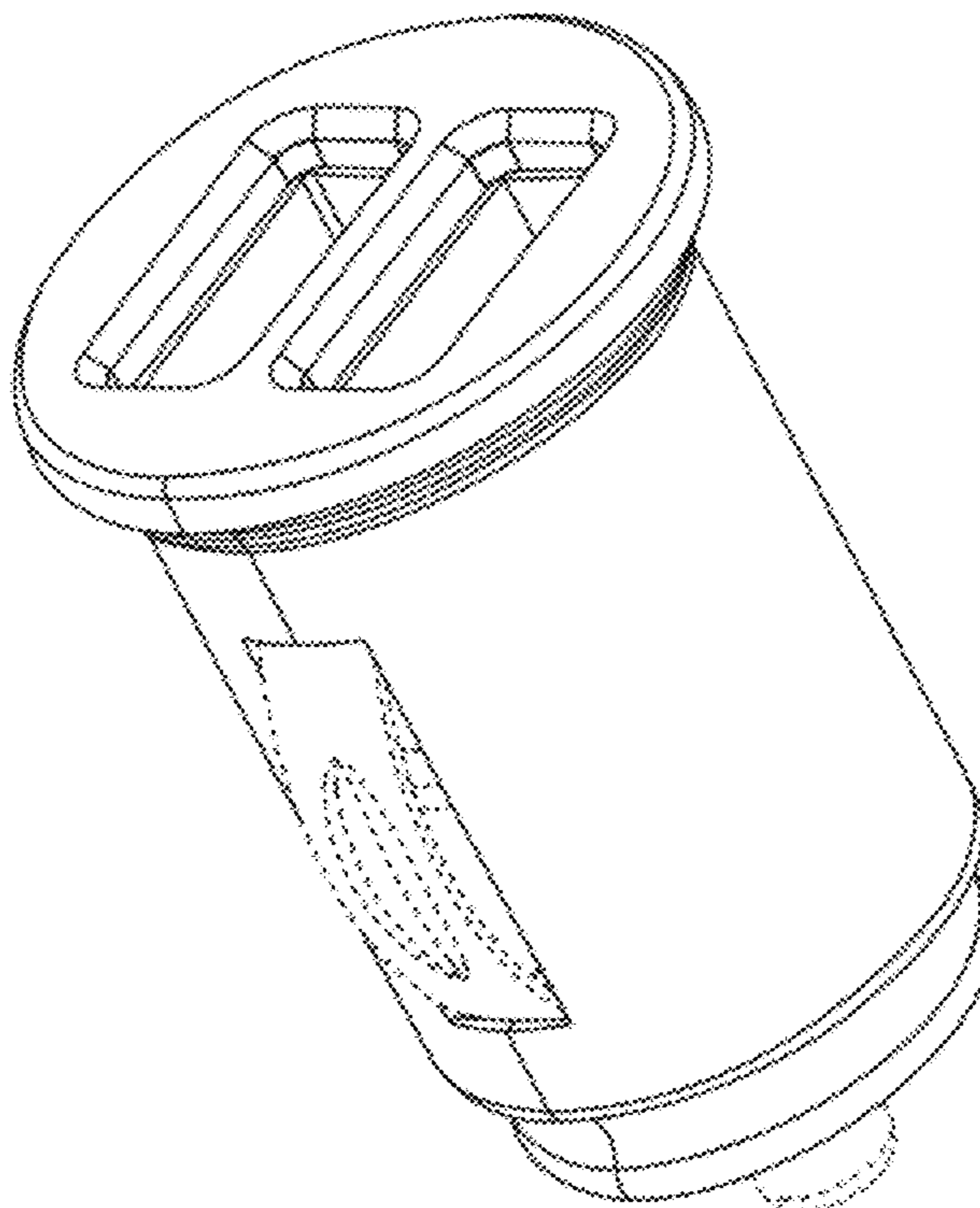
The ornamental design for a dual USB active vehicle power adapter plug with capture, as shown and described.

DESCRIPTION

FIG. 1 is a perspective view of a dual USB active vehicle power adapter plug with capture showing my new design; FIG. 2 is a bottom view thereof; FIG. 3 is a front view thereof; FIG. 4 is a right side view thereof; FIG. 5 is a rear view thereof; FIG. 6 is a top view thereof; and, FIG. 7 is a left side view thereof.

The broken lines shown represent unclaimed subject matter and form no part of the claimed design.

1 Claim, 7 Drawing Sheets



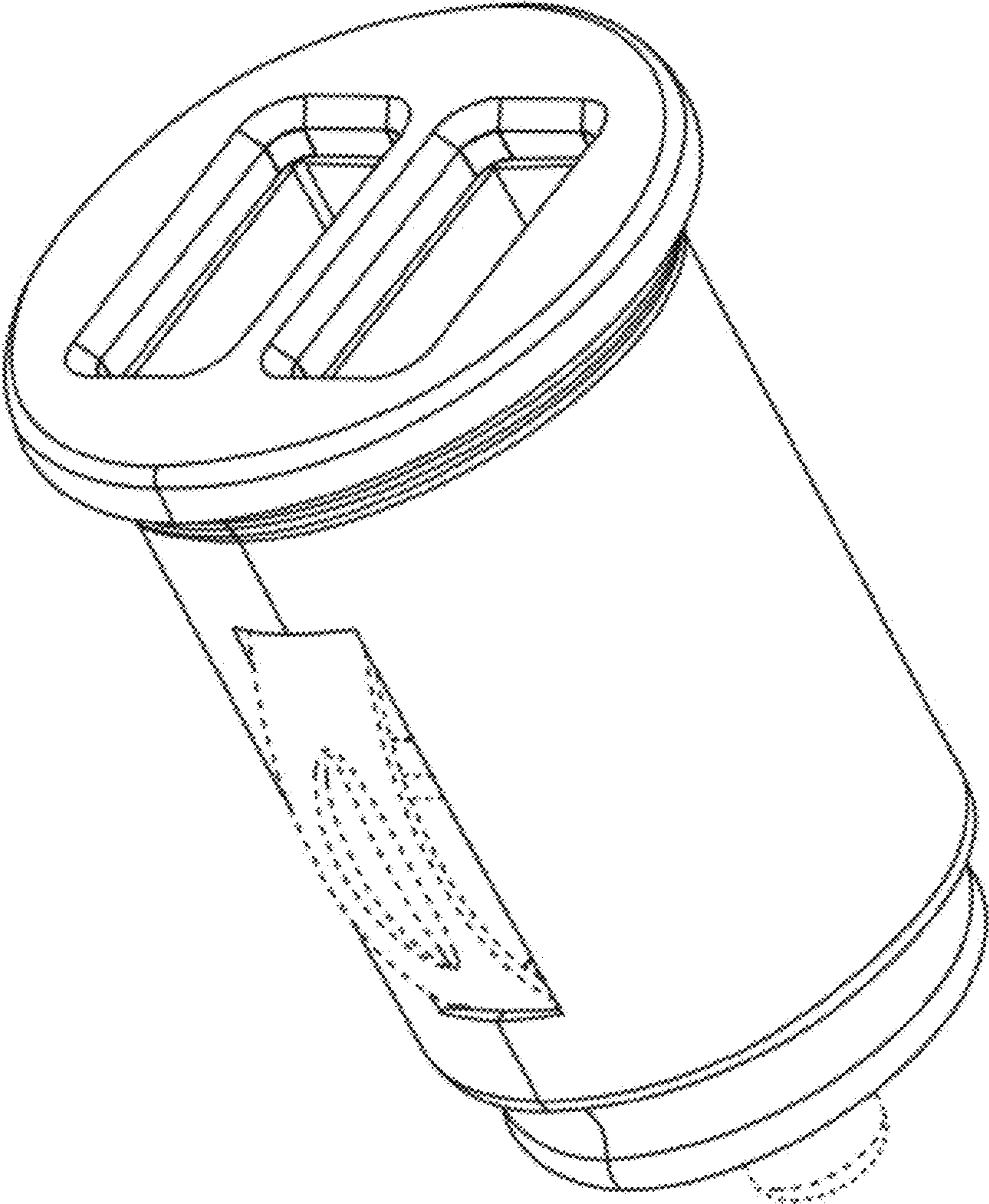


Fig. 1

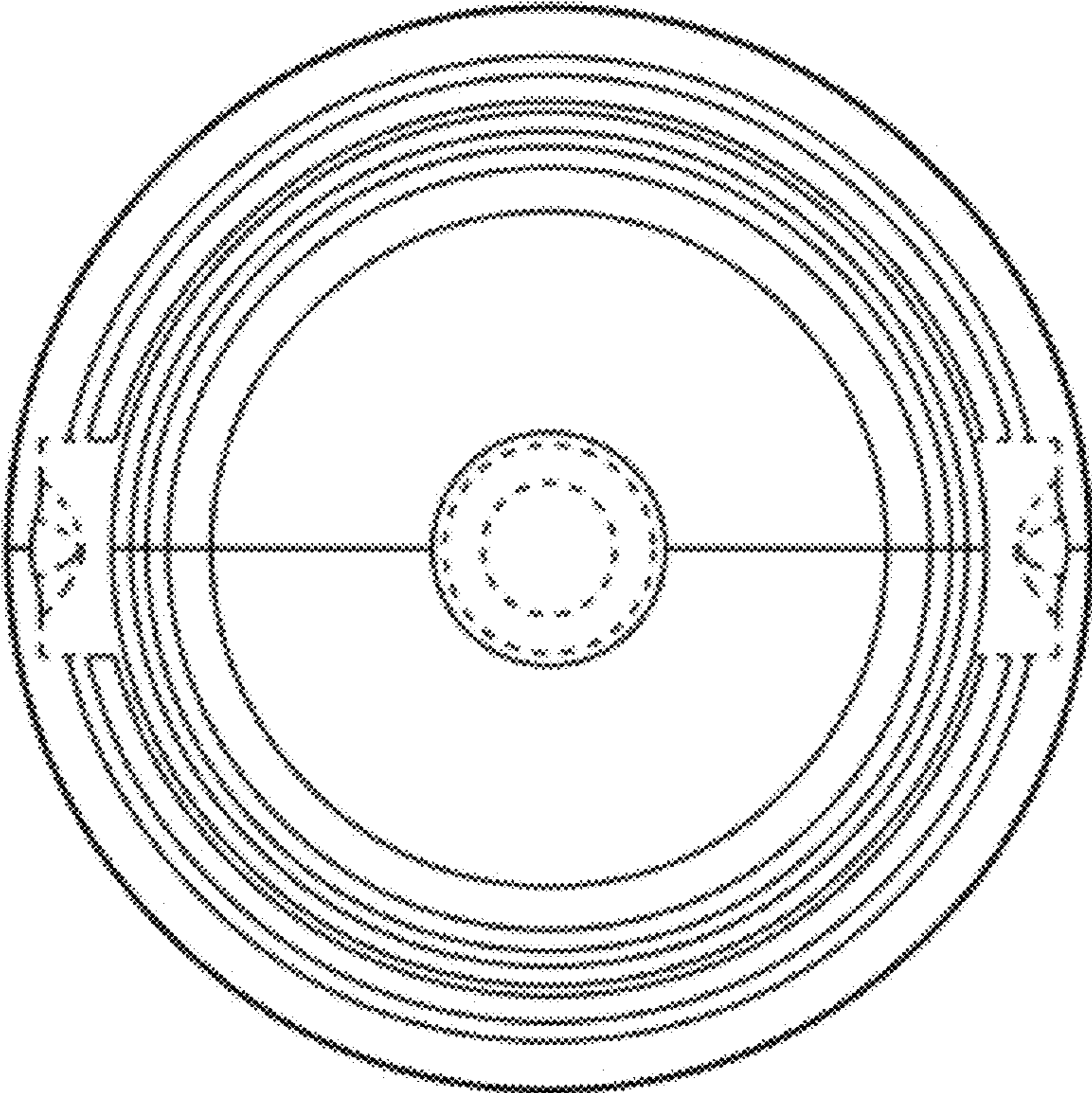


Fig. 2

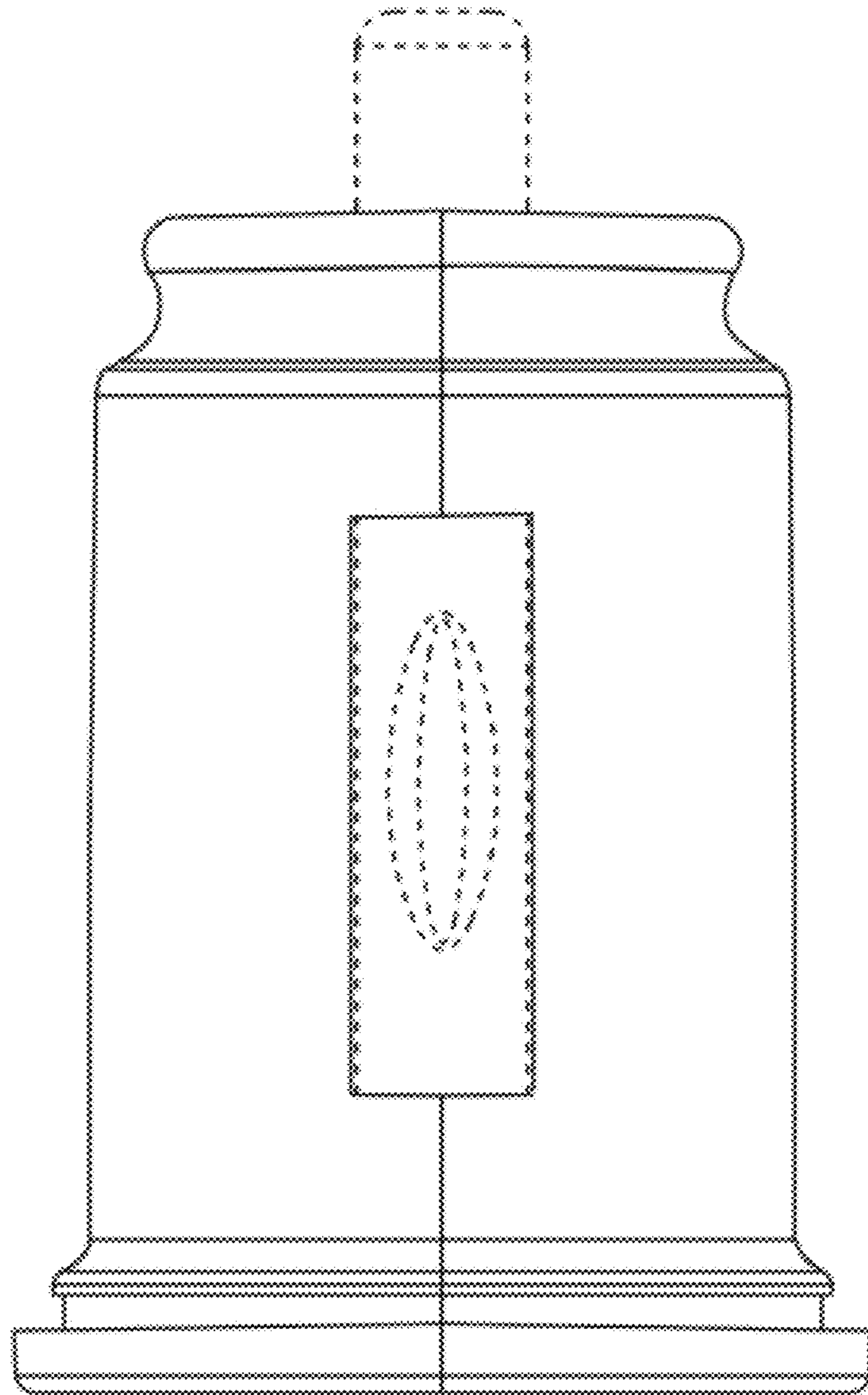


Fig. 3

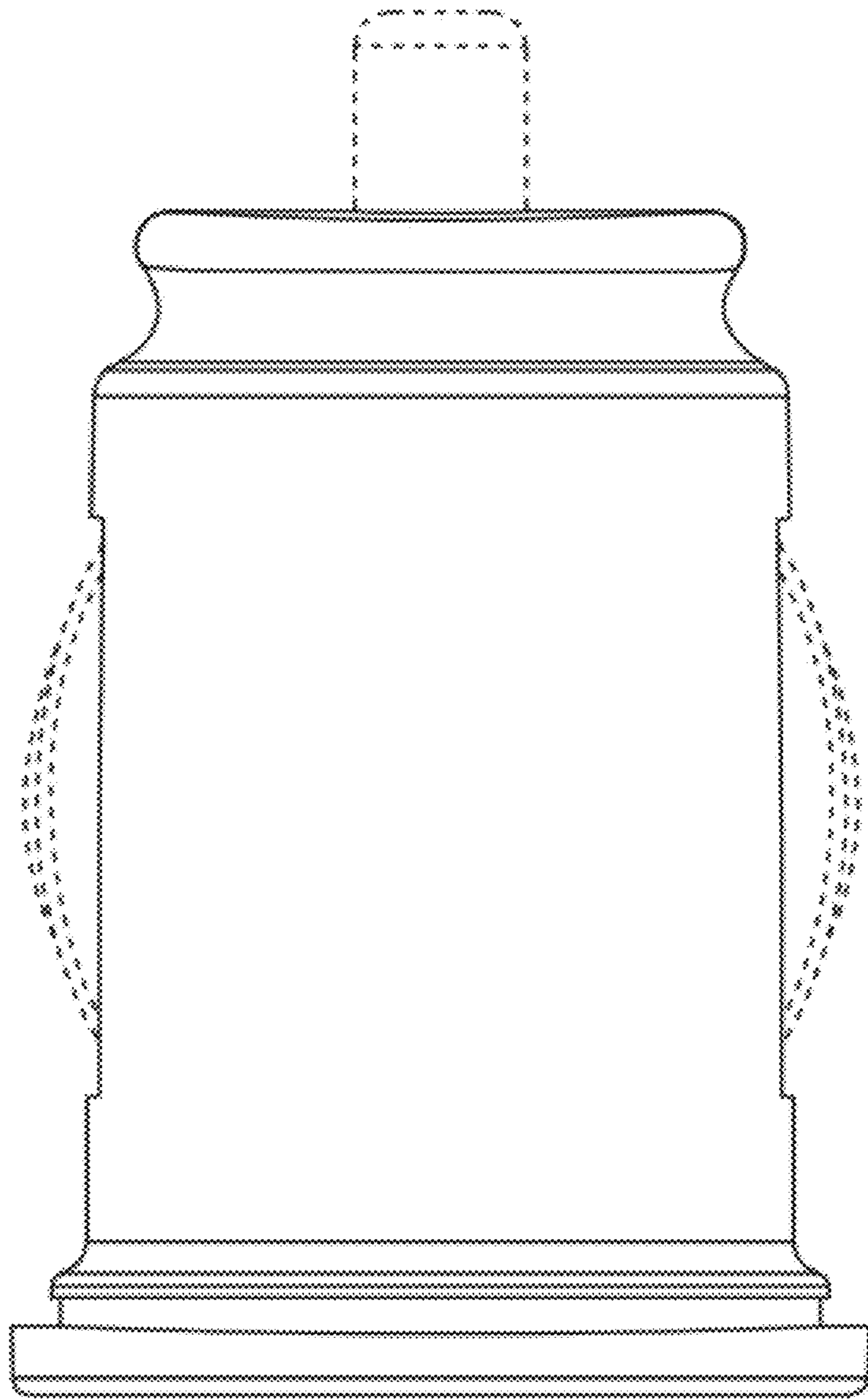


Fig. 4

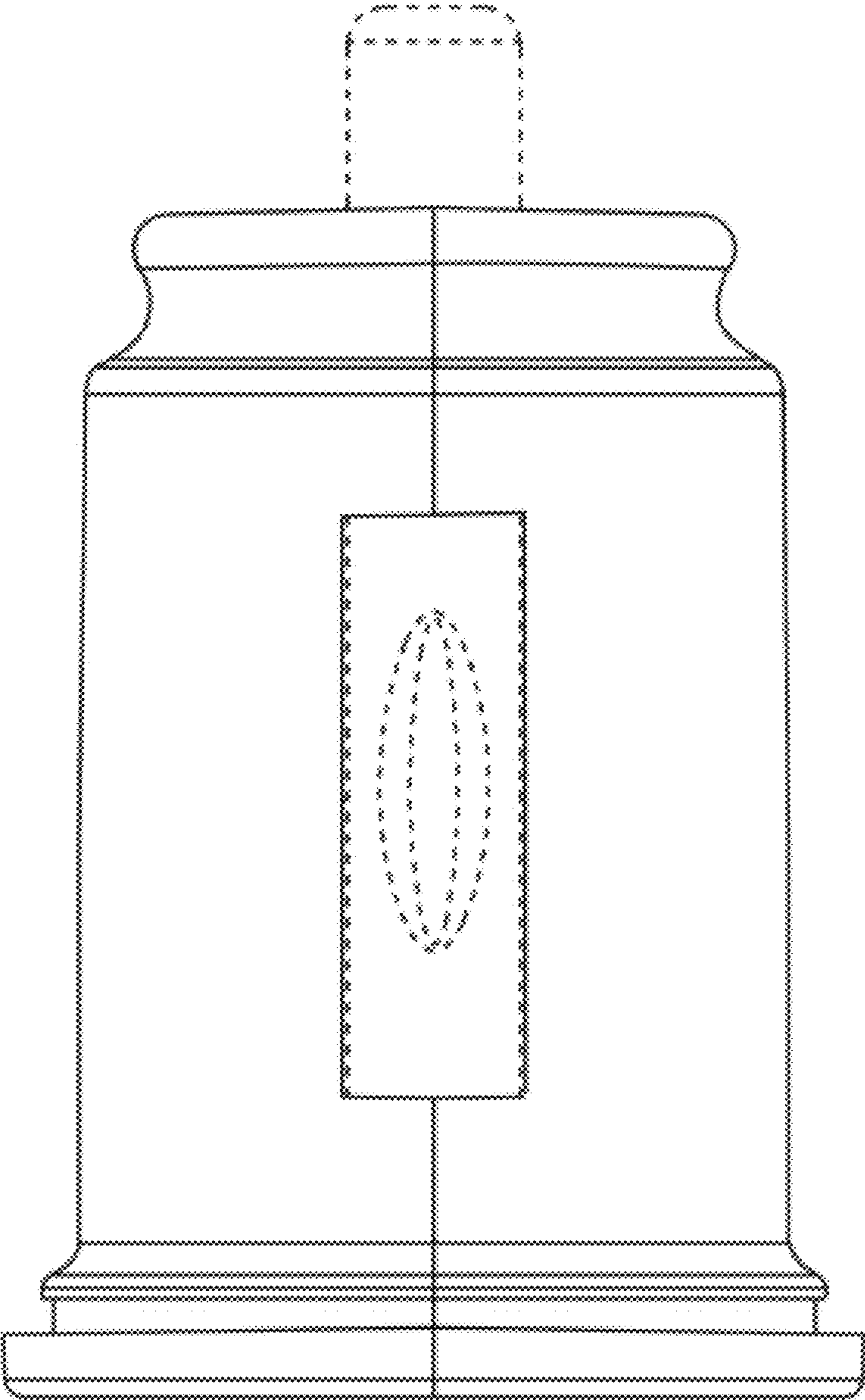


Fig. 5

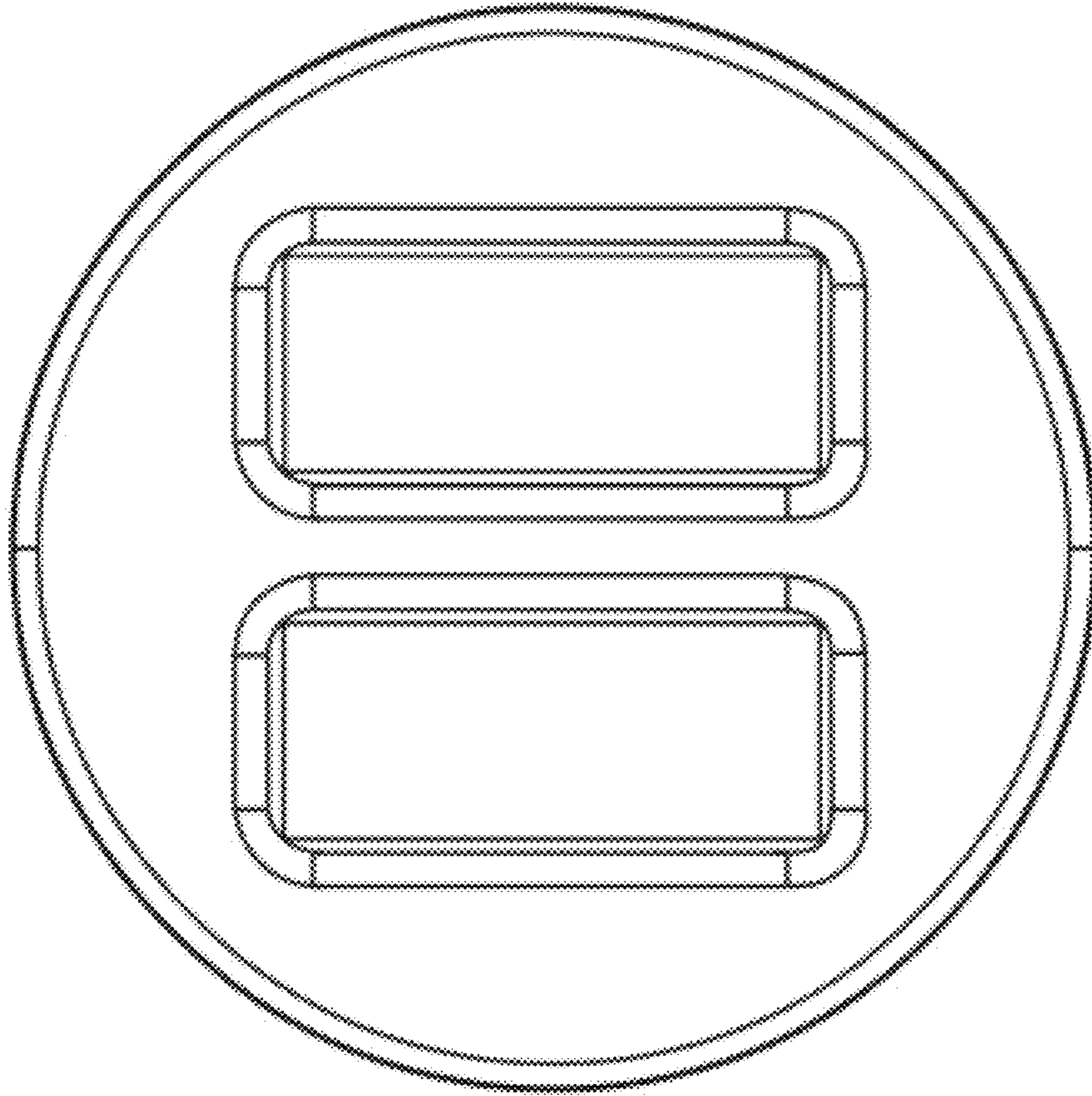


Fig. 6

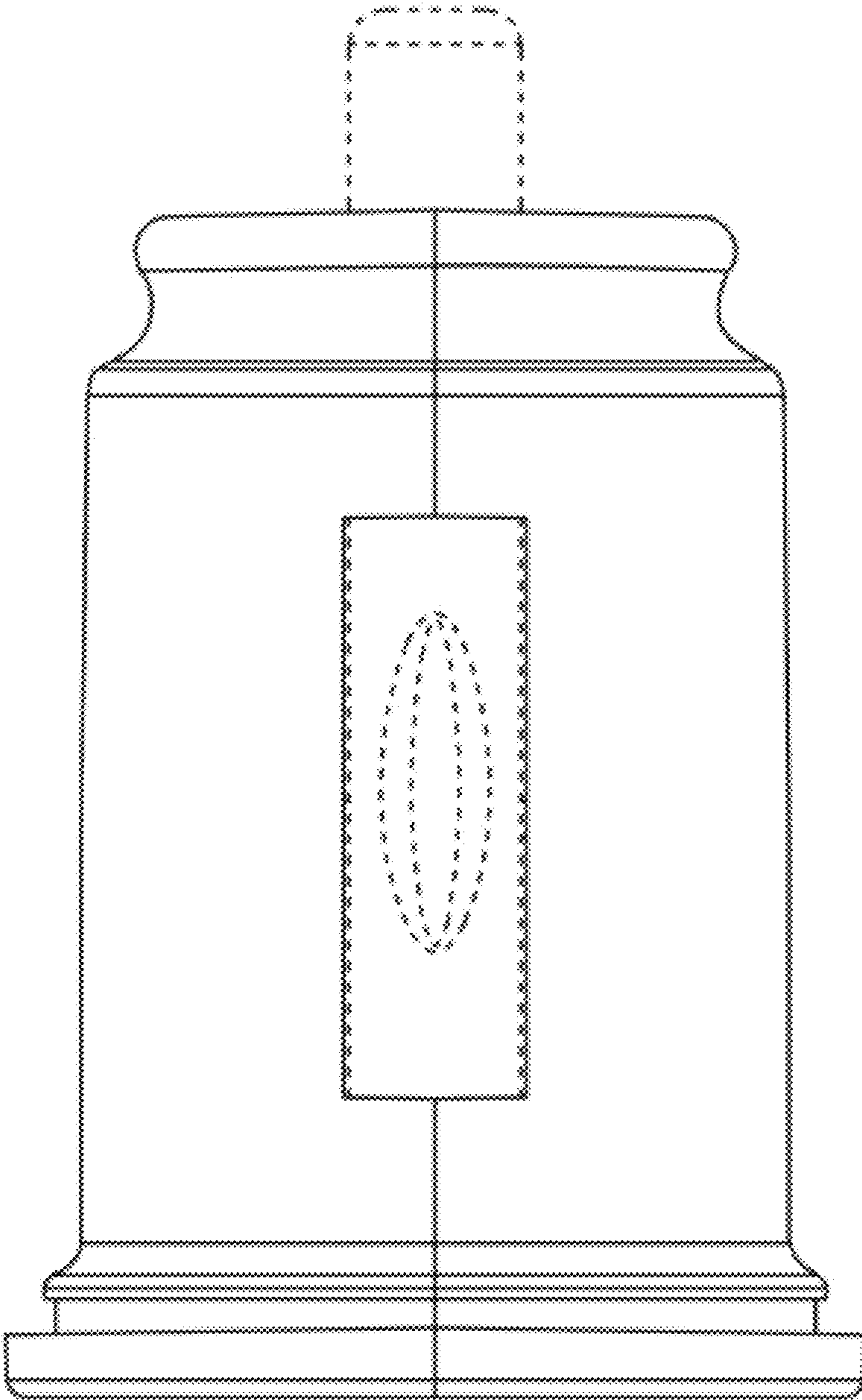


Fig. 7