



US00D667376S

(12) **United States Design Patent**
Mori et al.

(10) **Patent No.:** **US D667,376 S**

(45) **Date of Patent:** **** Sep. 18, 2012**

(54) **ELECTRICAL CONNECTOR**

(75) Inventors: **Shigeo Mori**, Kakegawa (JP); **Sosuke Yamamoto**, Shimada (JP)

(73) Assignee: **Yazaki Corporation**, Tokyo (JP)

(**) Term: **14 Years**

(21) Appl. No.: **29/415,689**

(22) Filed: **Mar. 13, 2012**

(30) **Foreign Application Priority Data**

Sep. 14, 2011 (JP) 2011-020952

(51) **LOC (9) Cl.** **13-03**

(52) **U.S. Cl.** **D13/133**

(58) **Field of Classification Search** D13/107-109,
D13/118-119, 133, 146, 147, 154, 184, 199;
D23/226; 320/104, 107-115, FOR. 104,
320/FOR. 119, DIG. 35

See application file for complete search history.

(56) **References Cited**

U.S. PATENT DOCUMENTS

D361,749 S * 8/1995 Fukao et al. D13/146
D370,461 S * 6/1996 Yoshioka et al. D13/146

D370,462 S * 6/1996 Fukao et al. D13/146
D373,110 S * 8/1996 Fukao et al. D13/146
D377,165 S * 1/1997 Yoshioka et al. D13/146
D378,292 S * 3/1997 Yoshioka et al. D13/146
D603,337 S * 11/2009 Katou et al. D13/120

* cited by examiner

Primary Examiner — Daniel Bui

(74) *Attorney, Agent, or Firm* — Sughrue Mion, PLLC

(57) **CLAIM**

The ornamental design for an electrical connector, as shown and described.

DESCRIPTION

FIG. 1 is a top, front and right side perspective view of an electrical connector showing our new design; FIG. 2 is a top, rear and left side perspective view thereof; FIG. 3 is a front elevation view thereof; FIG. 4 is a rear elevation view thereof; FIG. 5 is a right side elevation view thereof; FIG. 6 is a top plan view thereof; FIG. 7 is a bottom plan view thereof; and, FIG. 8 is right side elevation view thereof, in use condition. The broken line portion of the figure drawings is included for the purpose of illustrating environment and forms no part of the claimed design.

1 Claim, 6 Drawing Sheets

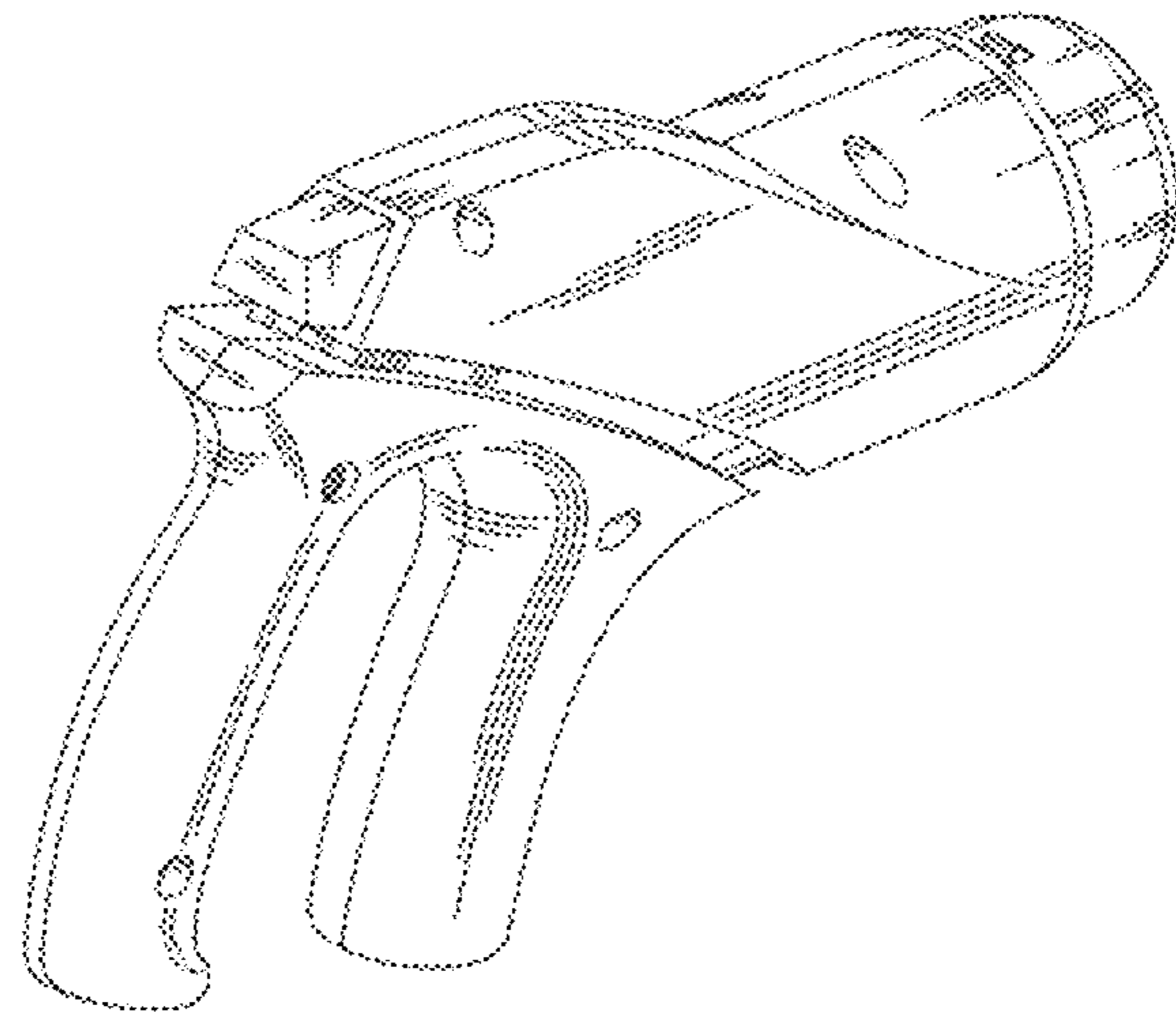
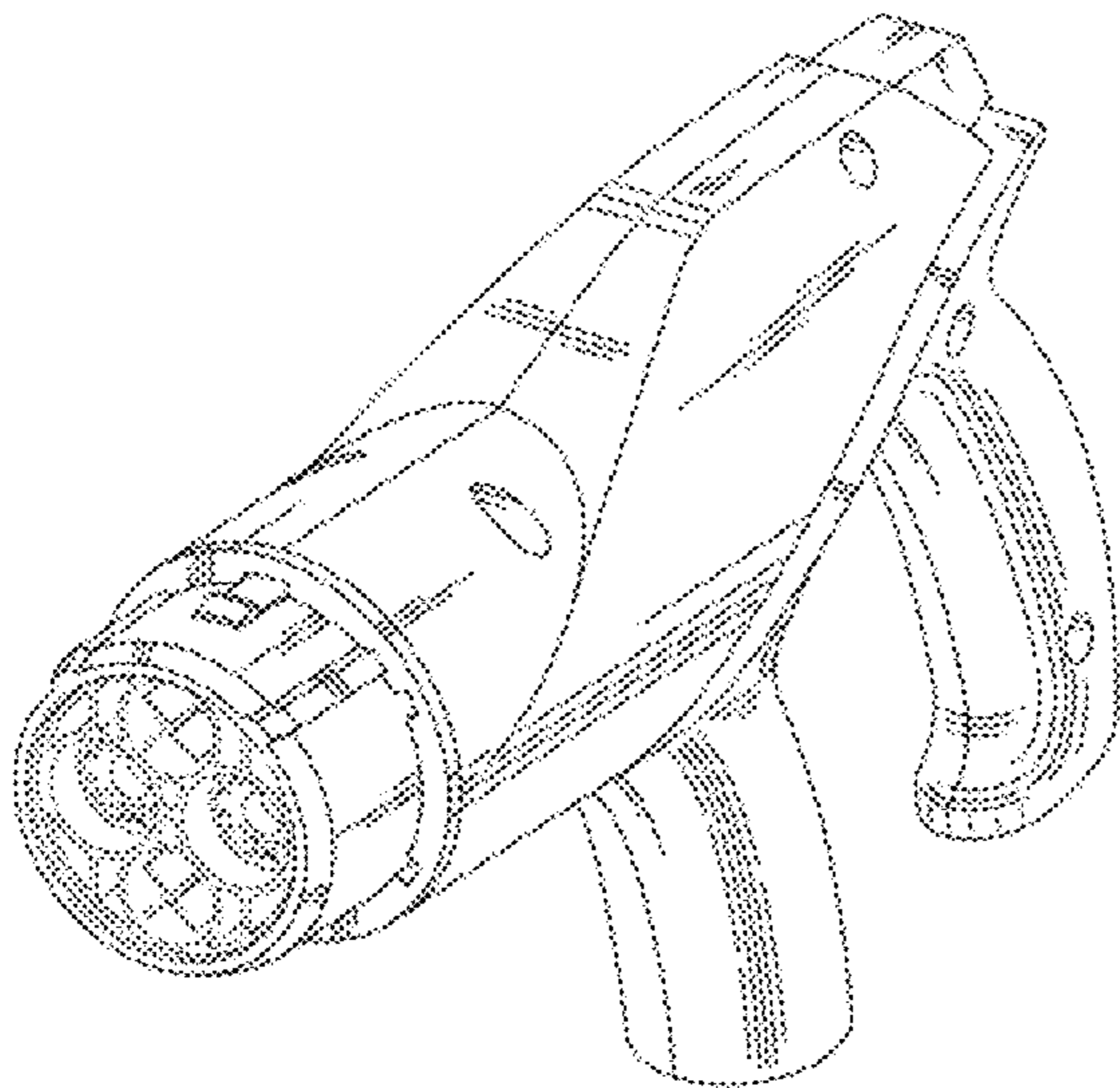


Fig. 1

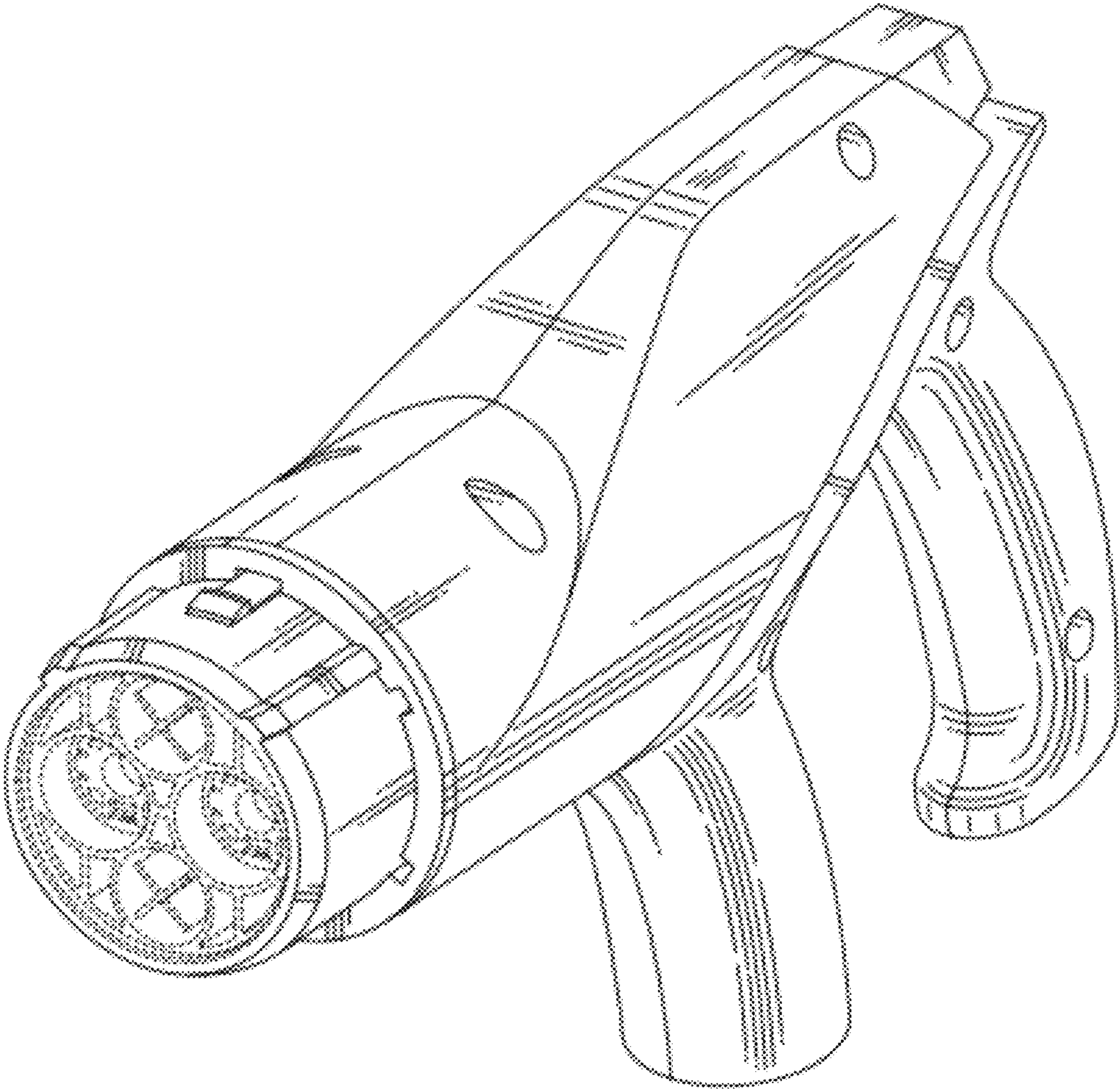


Fig. 2

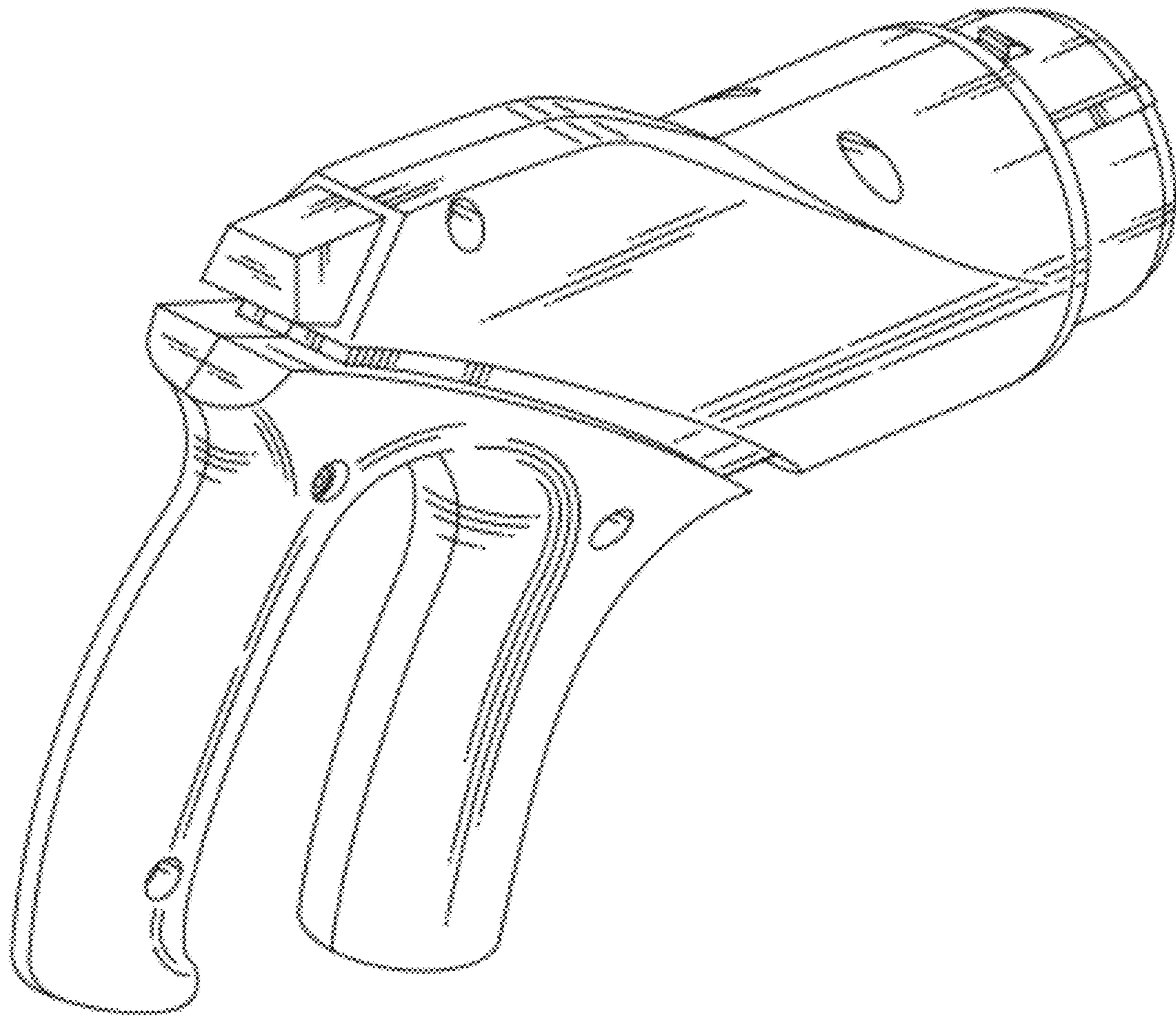


Fig. 3

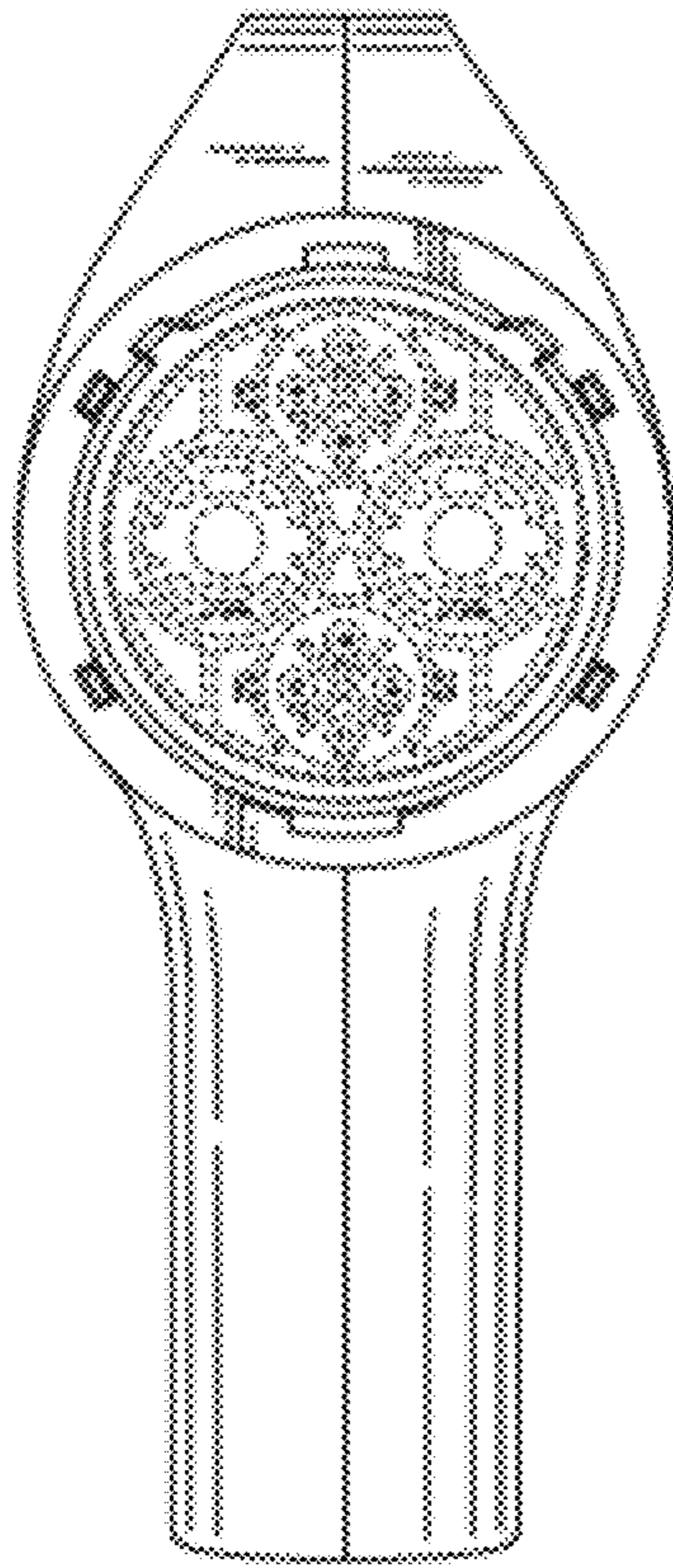


Fig. 4

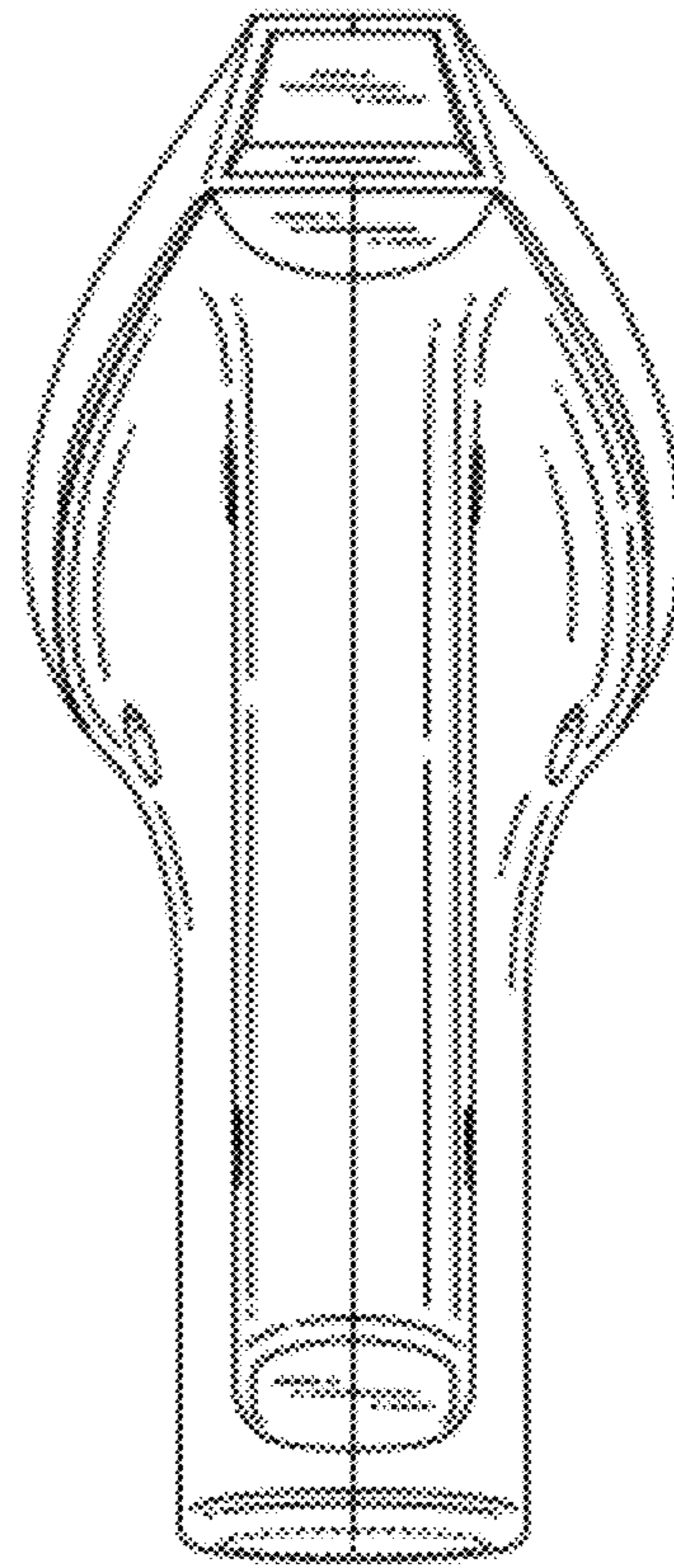


Fig. 5

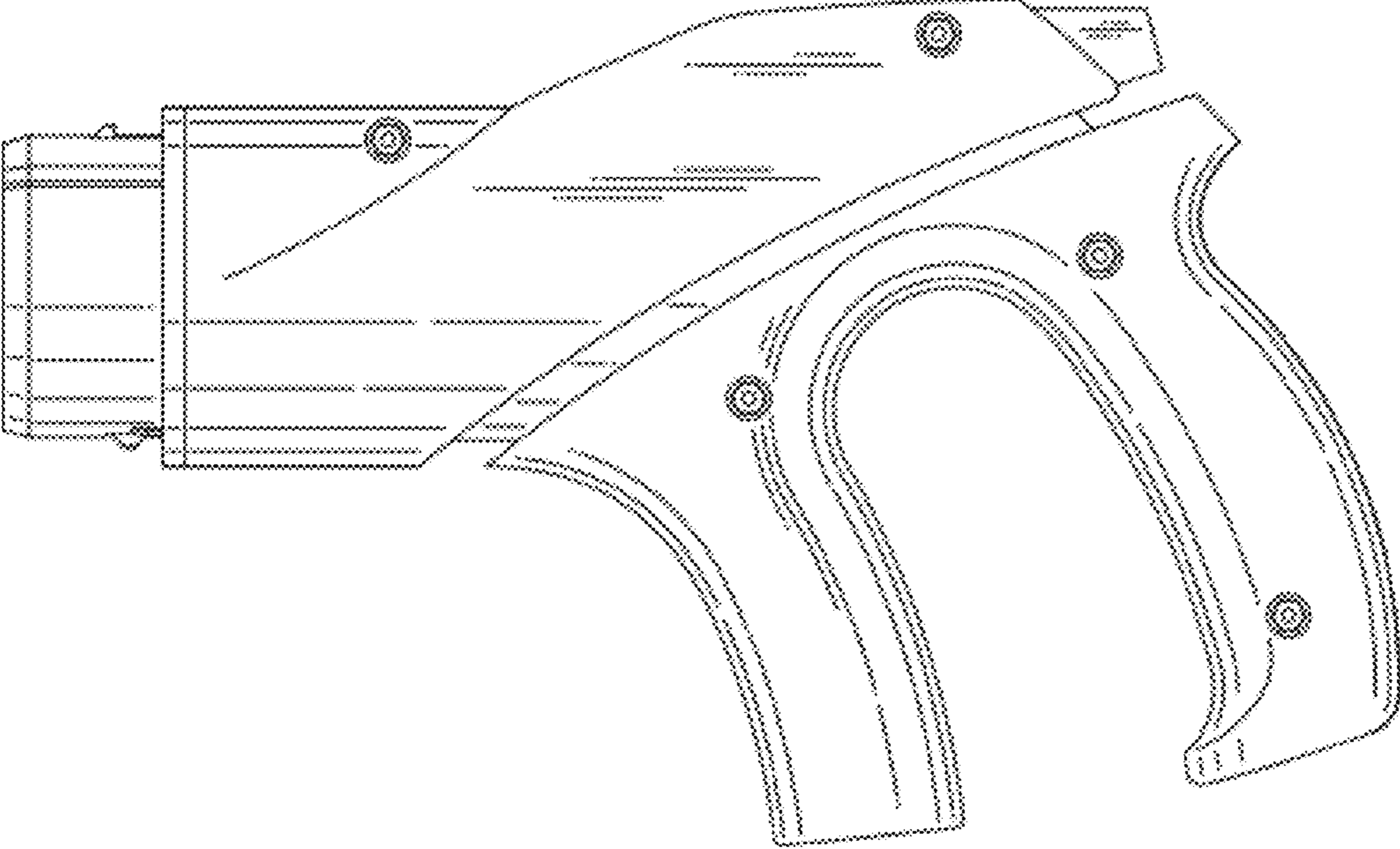


Fig. 6

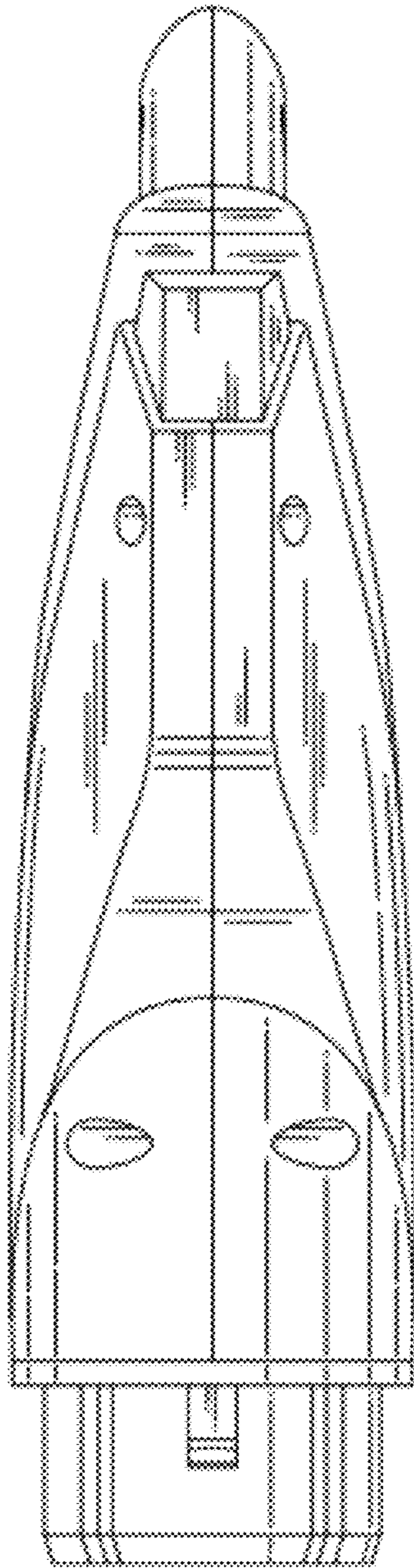


Fig. 7

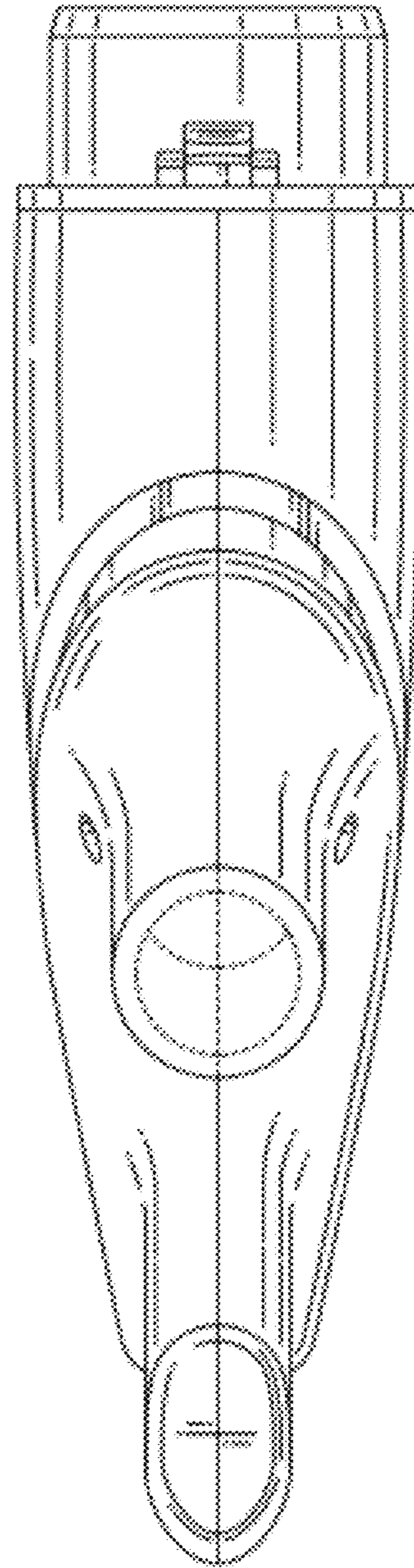


Fig. 8

