



US00D667375S

(12) **United States Design Patent**  
**Mori et al.**

(10) **Patent No.:** **US D667,375 S**  
(45) **Date of Patent:** **\*\* Sep. 18, 2012**

(54) **ELECTRIC CONNECTOR**

(75) Inventors: **Shigeo Mori**, Shizuoka-ken (JP);  
**Takenori Ohmura**, Shizuoka-ken (JP)

(73) Assignee: **Yazaki Corporation**, Tokyo (JP)

(\*\*) Term: **14 Years**

(21) Appl. No.: **29/380,344**

(22) Filed: **Dec. 3, 2010**

(30) **Foreign Application Priority Data**

Sep. 3, 2010 (JP) ..... 2010-021463

(51) **LOC (9) Cl.** ..... **13-03**

(52) **U.S. Cl.** ..... **D13/133**

(58) **Field of Classification Search** ..... D13/107-109,  
D13/118-119, 133, 146, 147, 154, 184, 199;  
D23/226; 320/104, 107-115, FOR. 104,  
320/FOR. 119, DIG. 35

See application file for complete search history.

(56) **References Cited**

**U.S. PATENT DOCUMENTS**

5,350,312 A \* 9/1994 Kuno et al. .... 439/310  
D361,749 S \* 8/1995 Fukao et al. .... D13/146

D370,461 S \* 6/1996 Yoshioka et al. .... D13/146  
D370,462 S \* 6/1996 Fukao et al. .... D13/146  
D373,110 S \* 8/1996 Fukao et al. .... D13/146  
D377,165 S \* 1/1997 Yoshioka et al. .... D13/146  
D378,292 S \* 3/1997 Yoshioka et al. .... D13/146

\* cited by examiner

*Primary Examiner* — Daniel Bui

(74) *Attorney, Agent, or Firm* — Sughrue Mion, PLLC

(57) **CLAIM**

The ornamental design for an electric connector, as shown and described.

**DESCRIPTION**

FIG. 1 is a perspective view of the front, top and right side of an electric connector showing our new design;

FIG. 2 is a front view thereof;

FIG. 3 is a rear view thereof;

FIG. 4 is a plan view thereof;

FIG. 5 is a bottom view thereof;

FIG. 6 is a left side view thereof; and,

FIG. 7 is a right side view thereof.

The broken line portion of the figure drawings is included for the purpose of illustrating environment and forms no part of the claimed design.

**1 Claim, 3 Drawing Sheets**

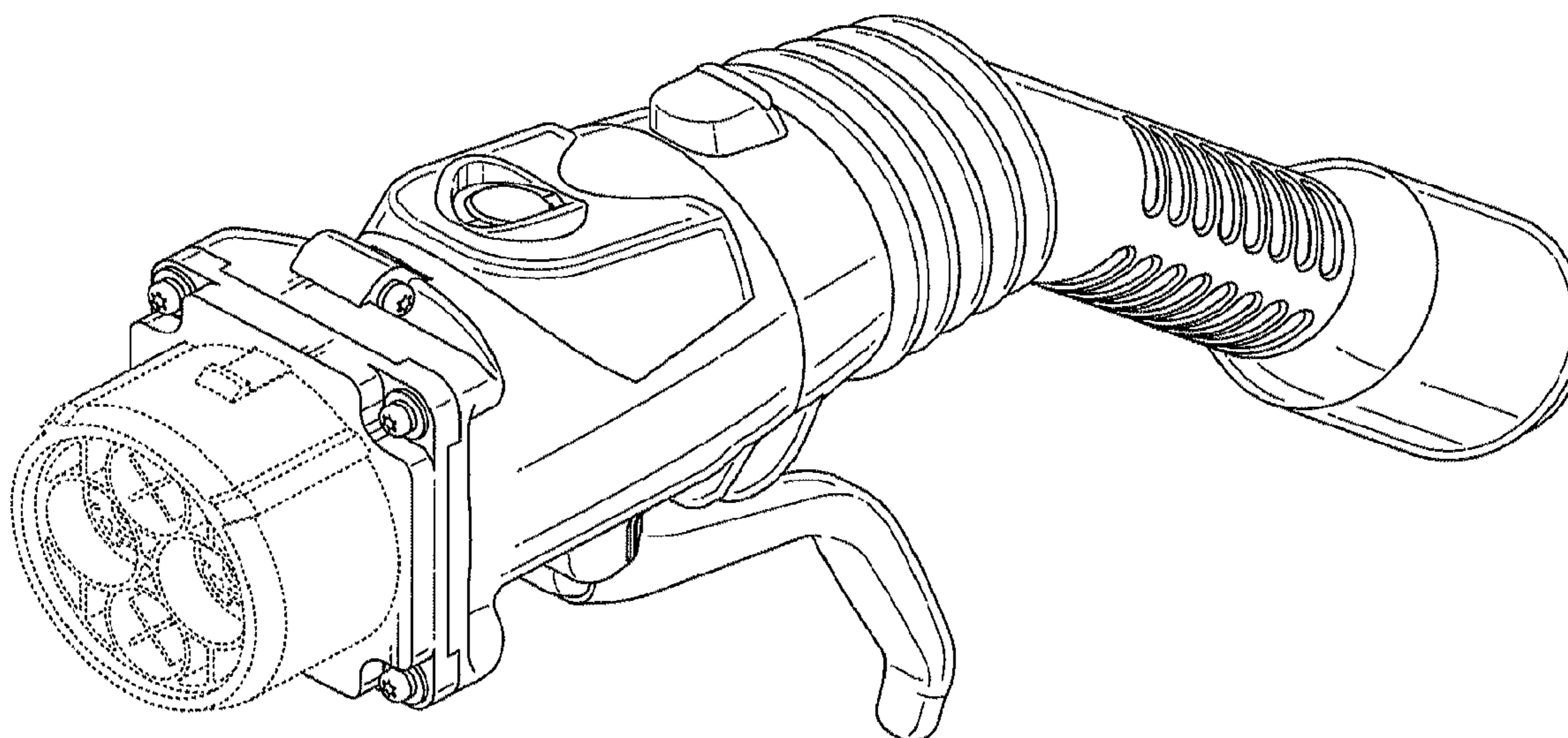


FIG. 1

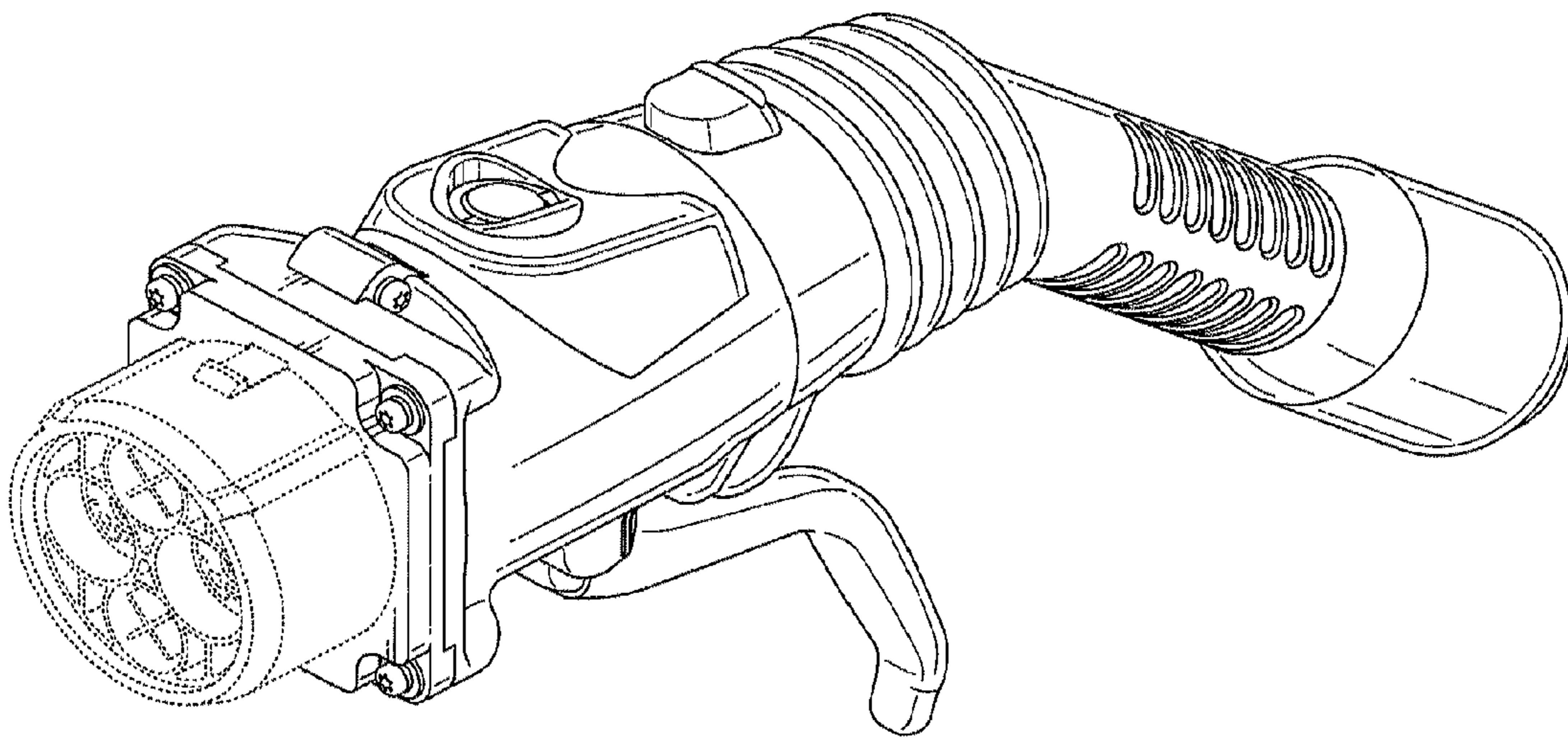


FIG. 2

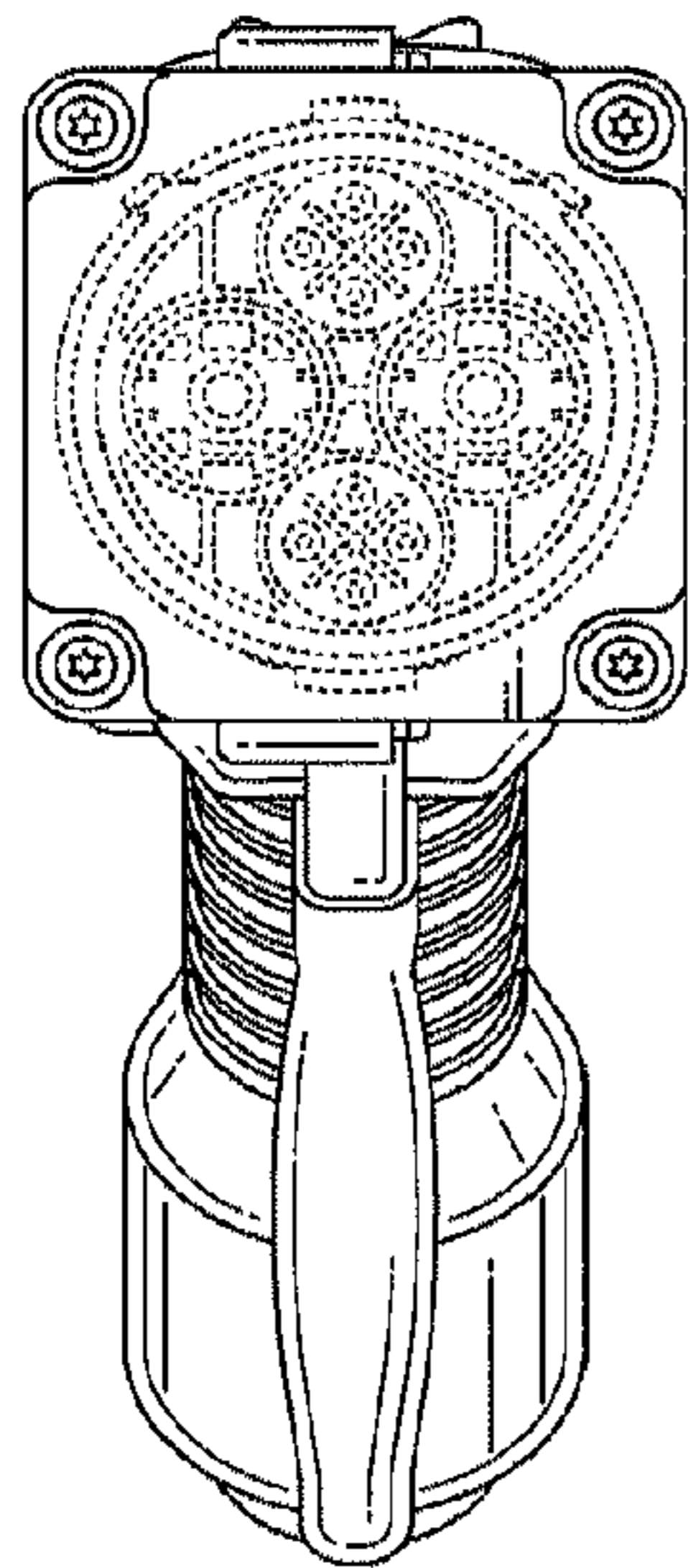


FIG. 3

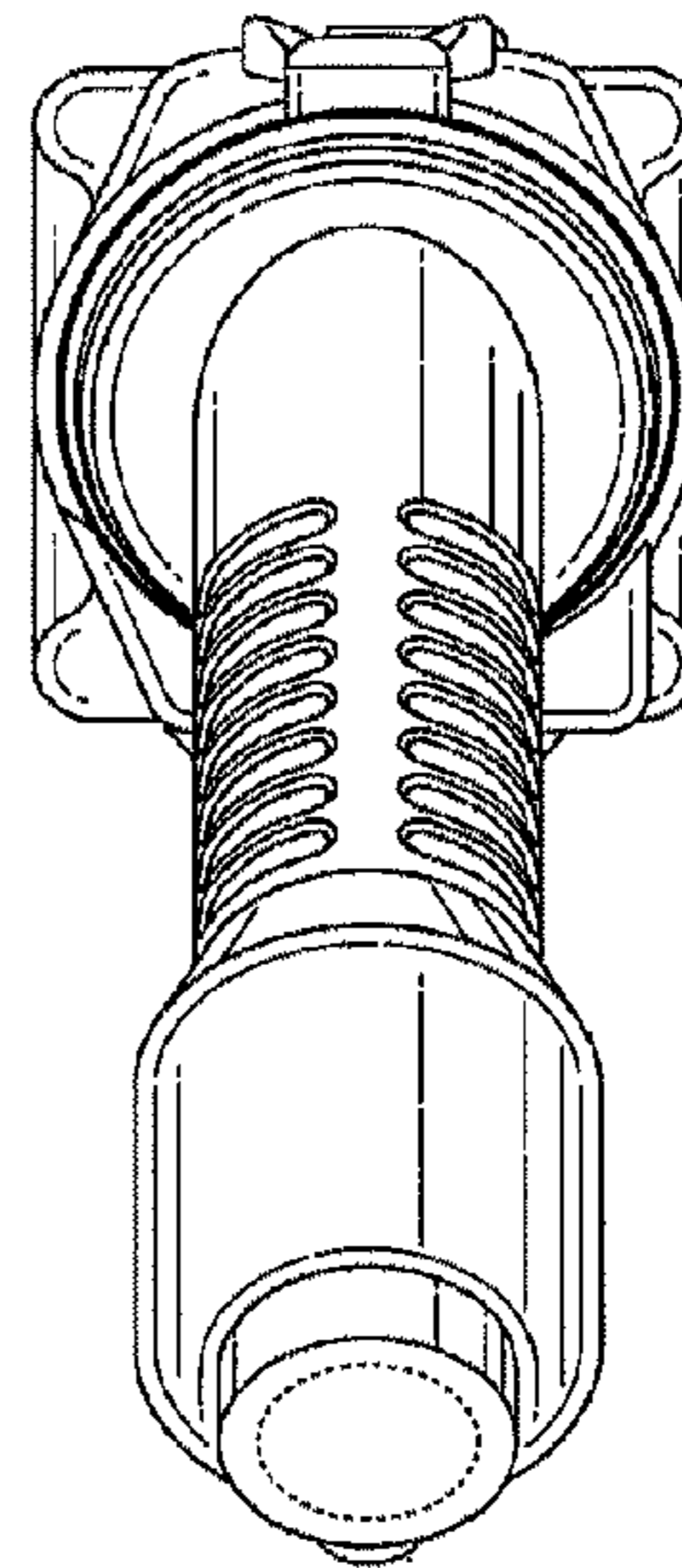


FIG.4

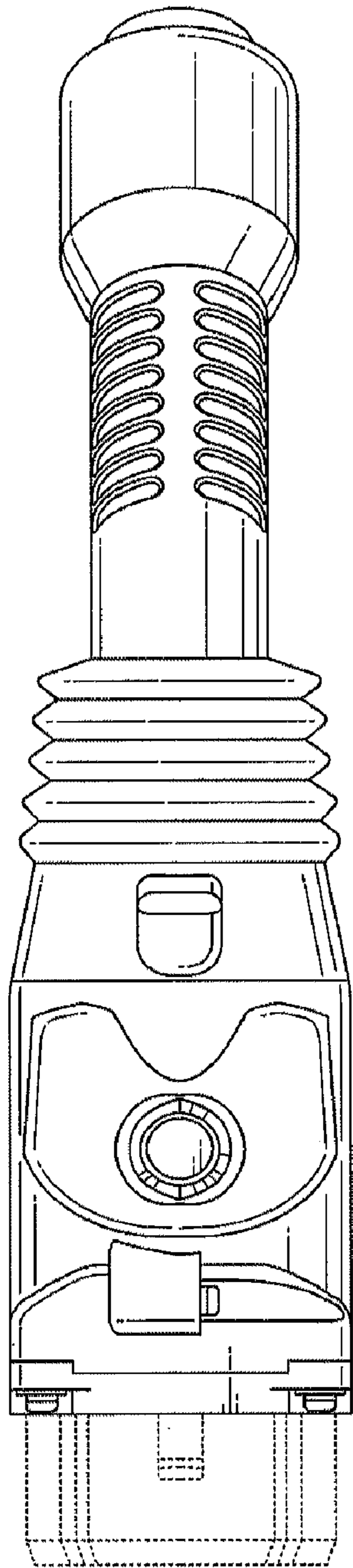


FIG.5

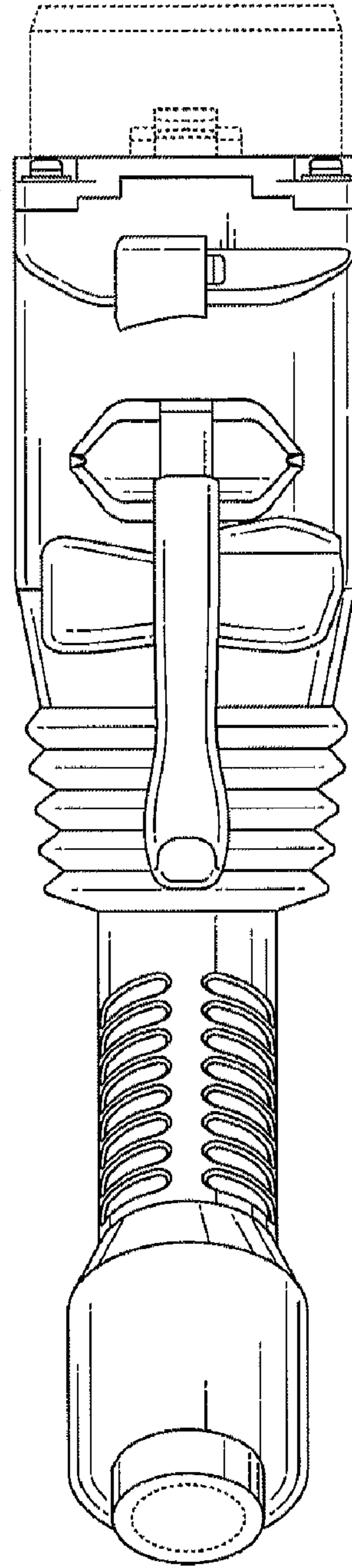


FIG.6

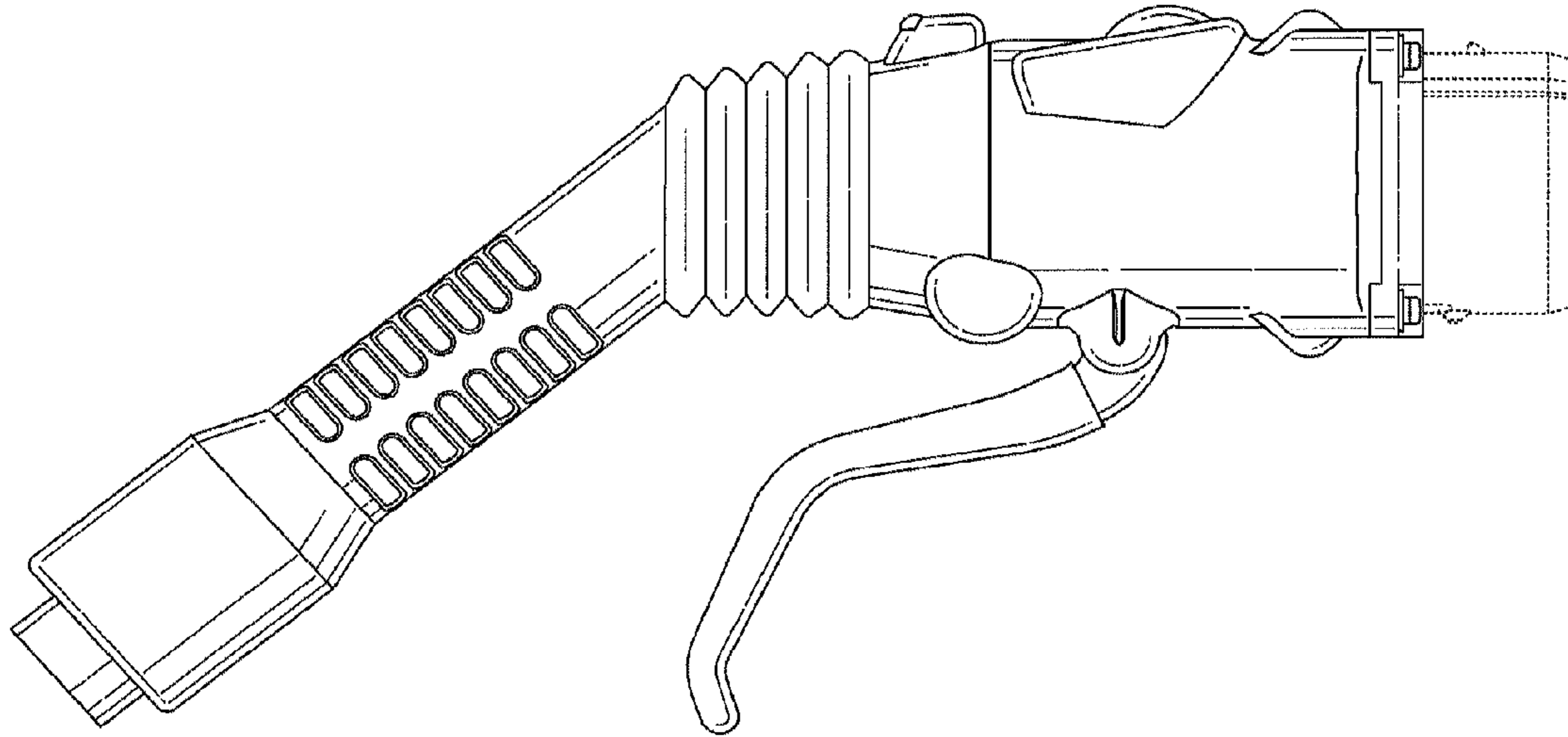


FIG.7

