



US00D667374S

(12) **United States Design Patent**  
**Hori et al.**

(10) **Patent No.:** **US D667,374 S**

(45) **Date of Patent:** **\*\* Sep. 18, 2012**

(54) **CHARGING CONNECTOR FOR ELECTRIC VEHICLE**

(75) Inventors: **Yasunobu Hori**, Sakura (JP); **Keiji Yahagi**, Tokyo (JP)

(73) Assignee: **Fujikura Ltd.**, Tokyo (JP)

(\*\*) Term: **14 Years**

(21) Appl. No.: **29/376,989**

(22) Filed: **Oct. 15, 2010**

(30) **Foreign Application Priority Data**

Apr. 16, 2010 (JP) ..... 2010-009668

(51) **LOC (9) Cl.** ..... **13-03**

(52) **U.S. Cl.** ..... **D13/133**

(58) **Field of Classification Search** ..... D13/107-109,  
D13/118-119, 133, 146, 147, 154, 184, 199;  
D23/226; 320/104, 107-115, FOR. 104,  
320/FOR. 119, DIG. 35

See application file for complete search history.

(56) **References Cited**

**U.S. PATENT DOCUMENTS**

5,350,312 A \* 9/1994 Kuno et al. .... 439/310  
D390,827 S \* 2/1998 Sekimori et al. .... D13/146  
D636,334 S \* 4/2011 Kato et al. .... D13/119

8,016,607 B2 \* 9/2011 Brown, II ..... 439/353  
D655,242 S \* 3/2012 Holthusen ..... D13/107  
2011/0145141 A1 \* 6/2011 Blain ..... 705/39

\* cited by examiner

*Primary Examiner* — Daniel Bui

(74) *Attorney, Agent, or Firm* — Nixon & Vanderhye P.C.

(57) **CLAIM**

The ornamental design for a charging connector for electric vehicle, as shown and described.

**DESCRIPTION**

FIG. 1 is a front, top and right side perspective view of a charging connector for electric vehicle showing our new design;

FIG. 2 is a front, top and left side perspective view thereof;

FIG. 3 is a front elevation view thereof.

FIG. 4 is a rear elevation view thereof.

FIG. 5 is a right side elevation view thereof

FIG. 6 is a left side elevation view thereof.

FIG. 7 is a top plan view thereof.

FIG. 8 is a bottom plan view thereof; and,

FIG. 9 is a front elevation view, in an alternate position thereof.

The portion of the article shown in broken lines is for the purpose of showing environmental structure only and forms no part of the claimed design.

**1 Claim, 9 Drawing Sheets**

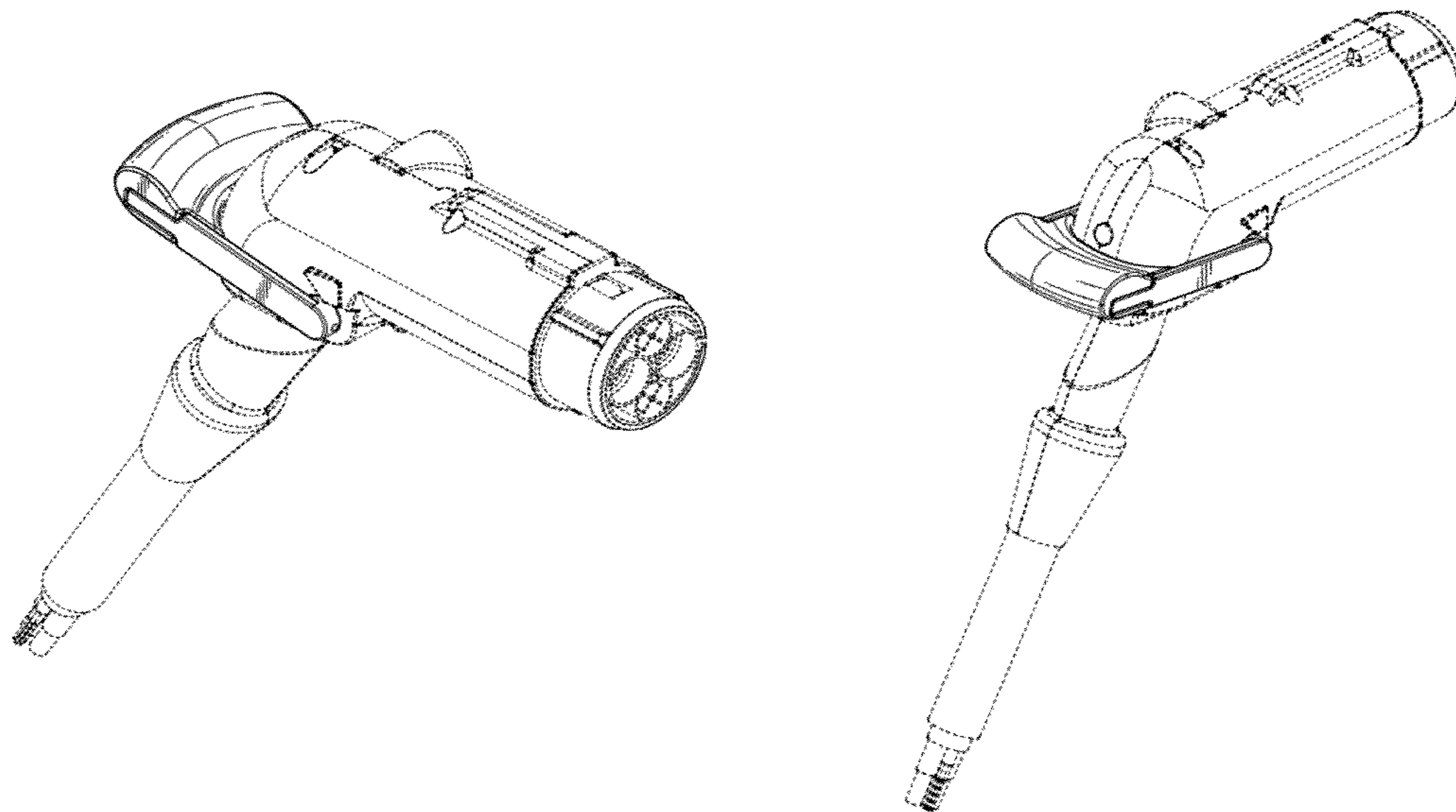


FIG. 1

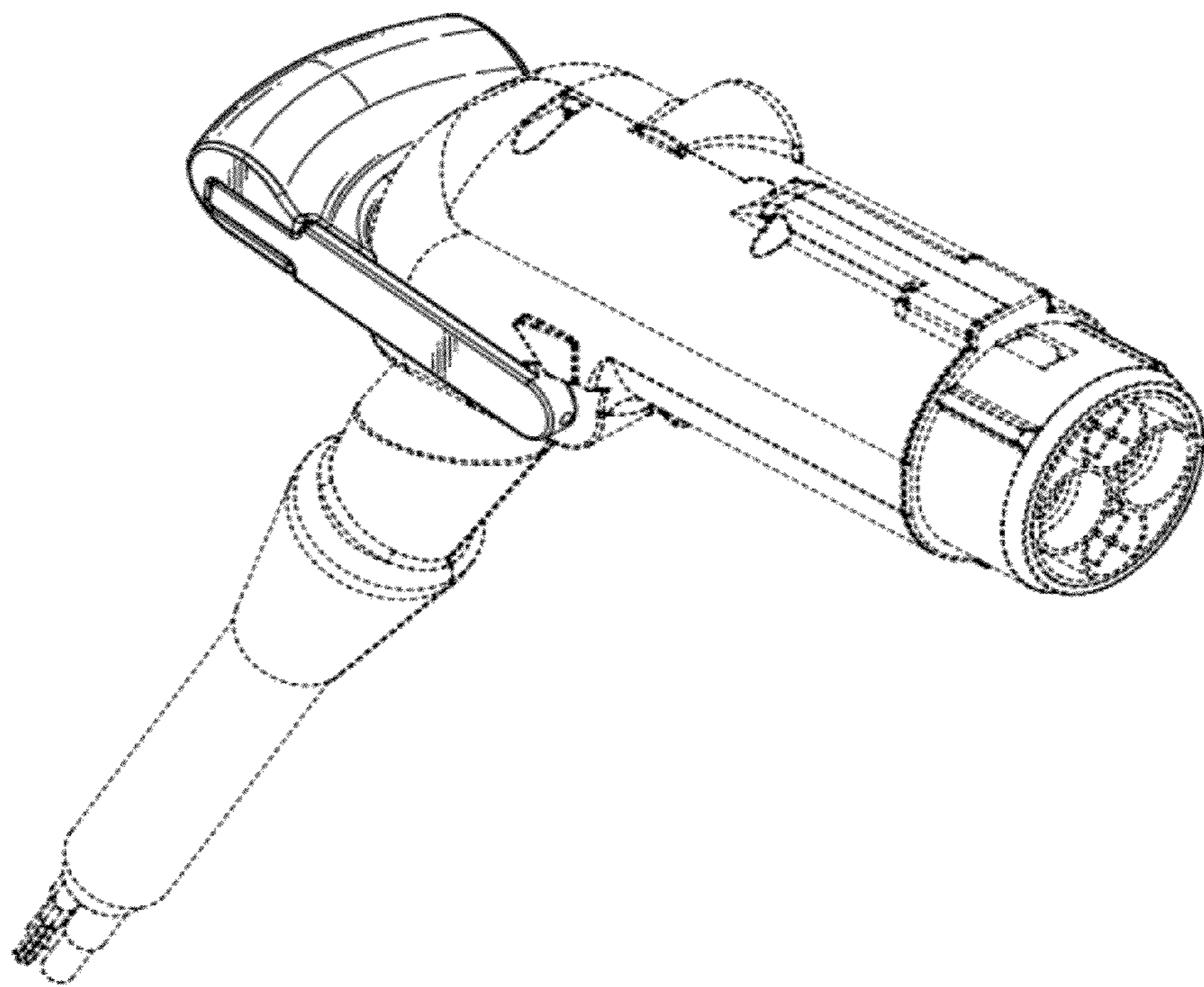


FIG. 2

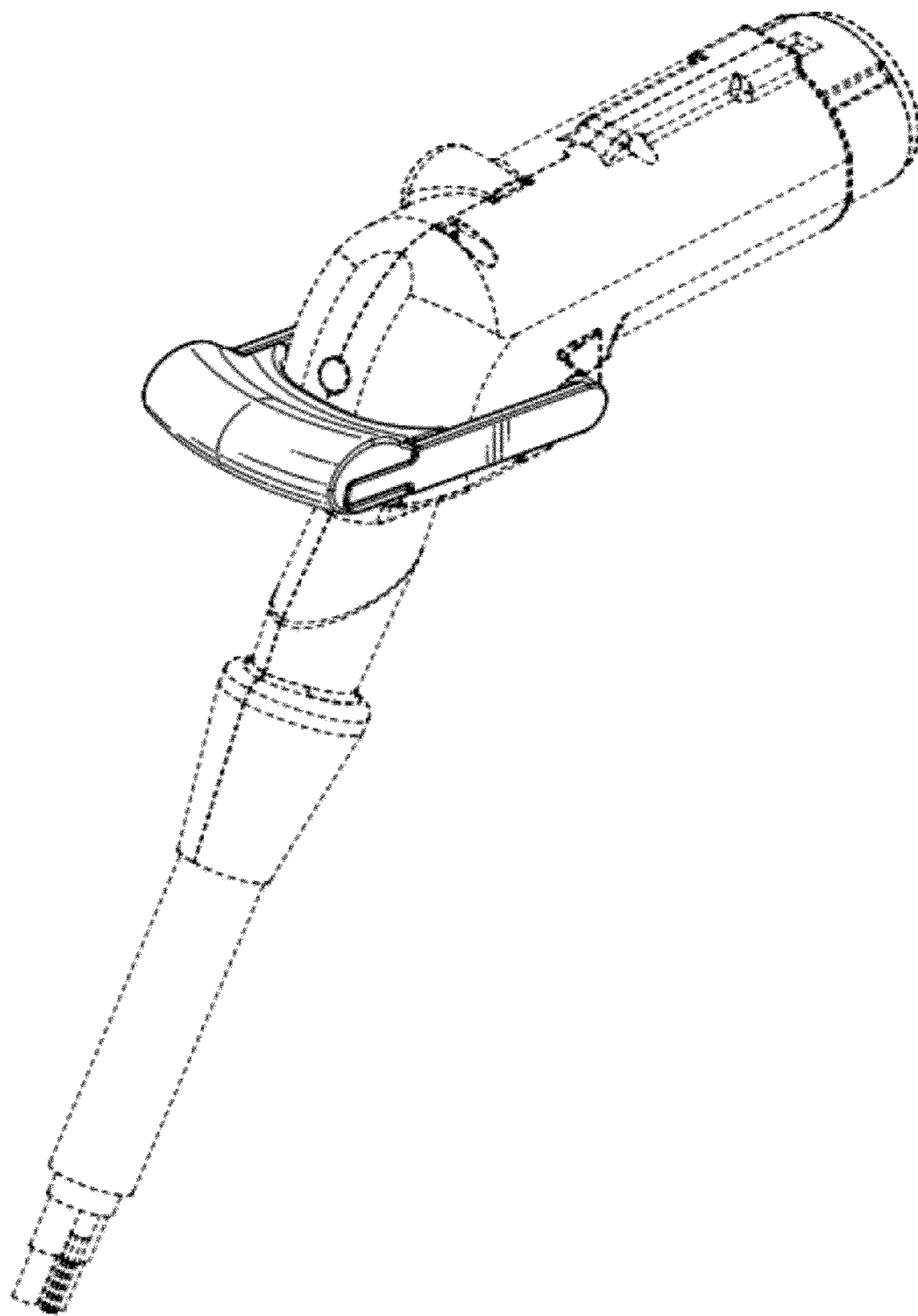


FIG. 3

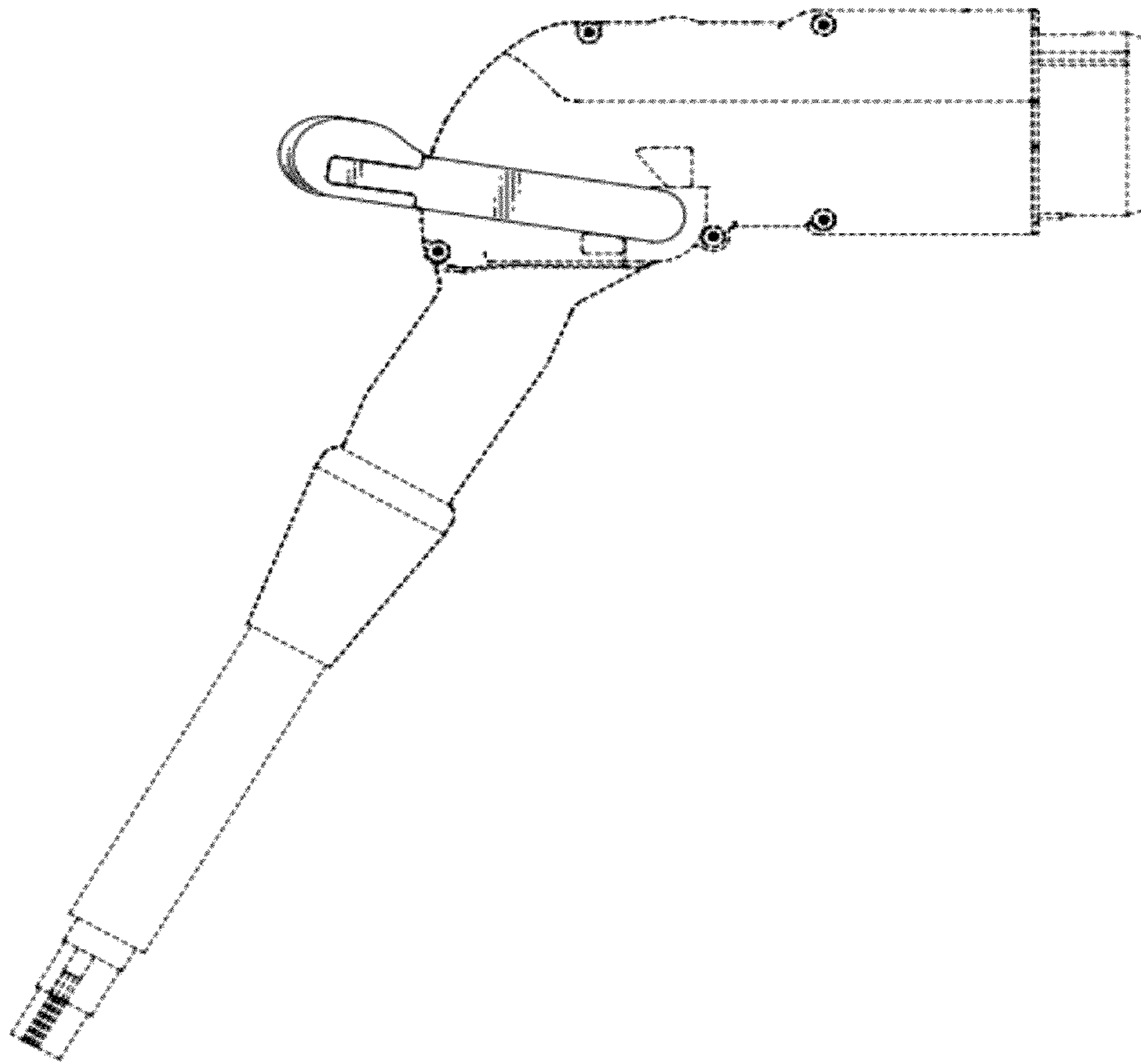


FIG. 4

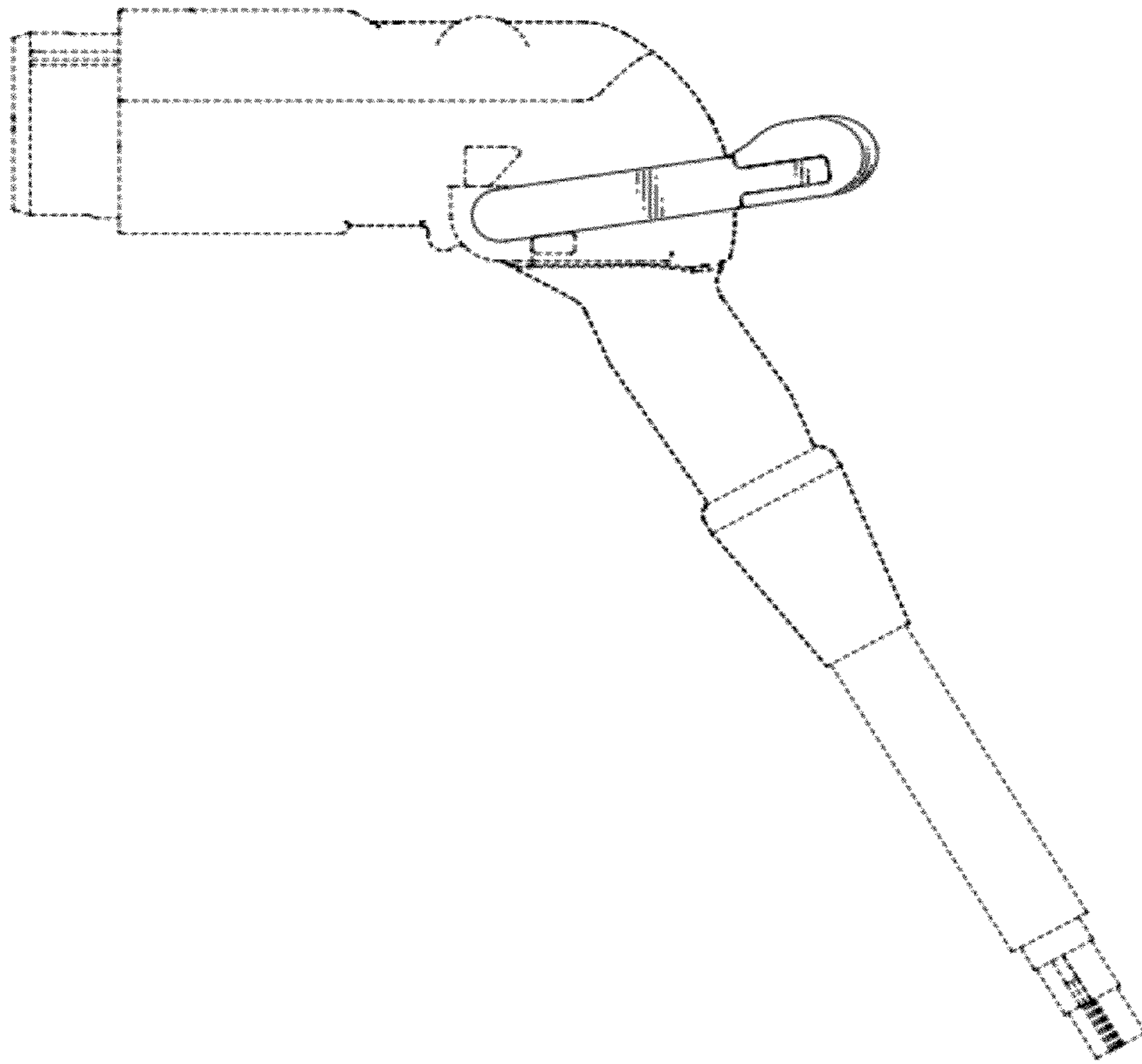


FIG. 5

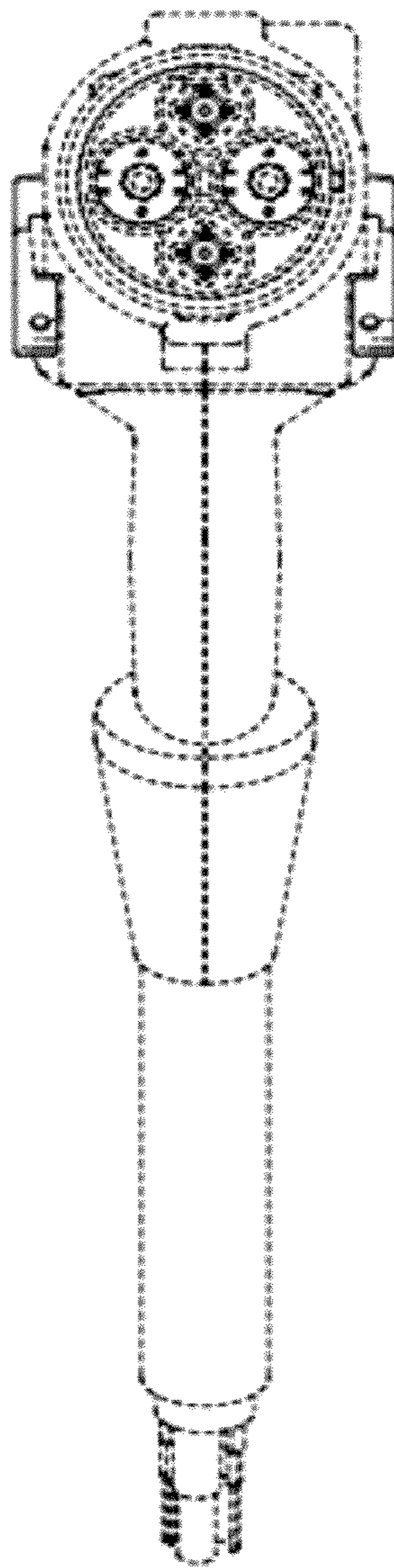


FIG. 6

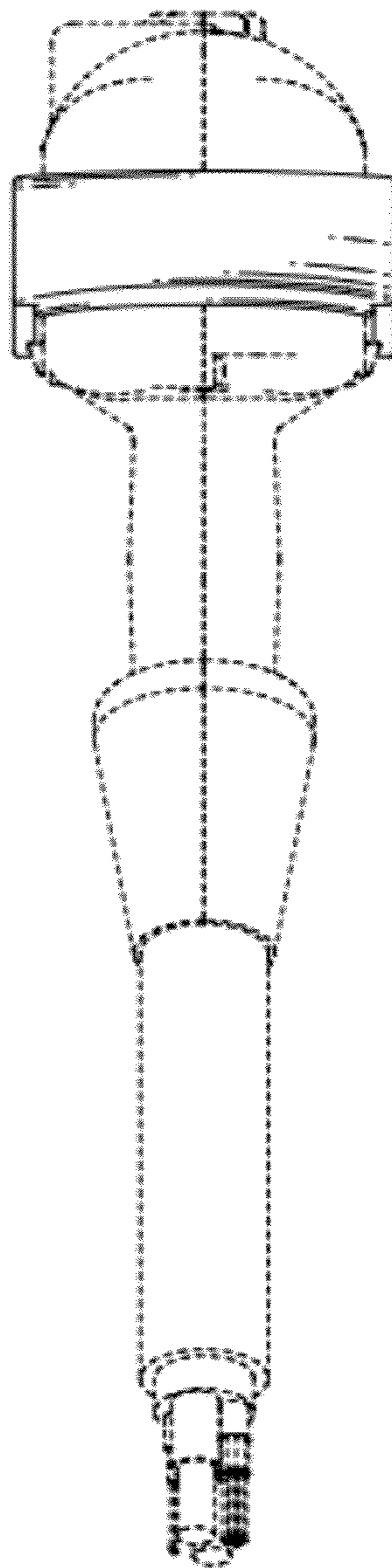


FIG. 7

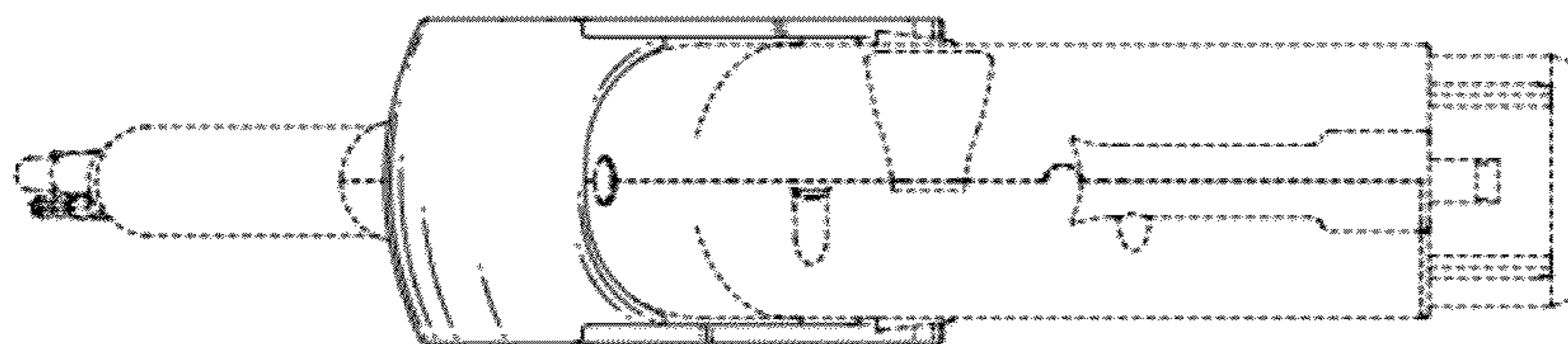




FIG. 8

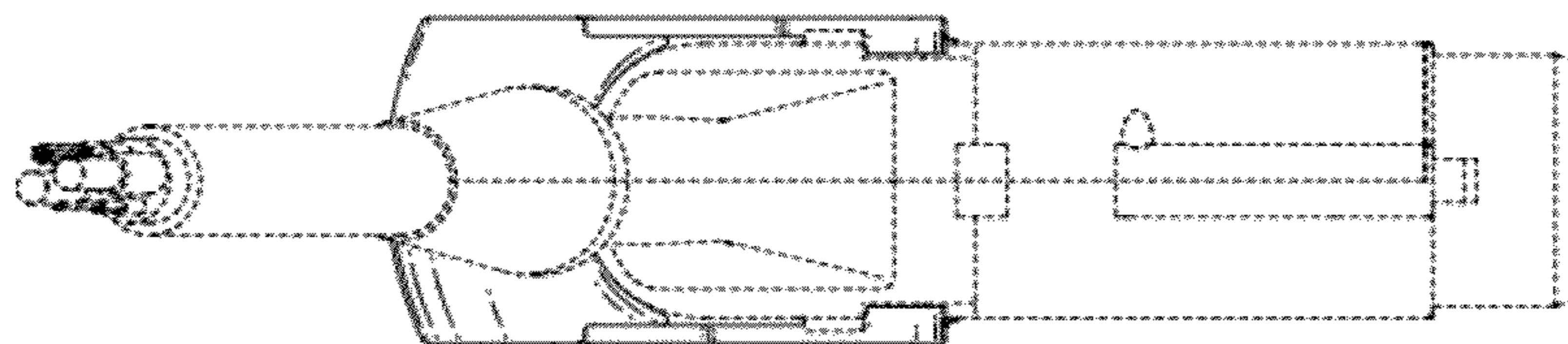


FIG. 9

