

US00D667373S

(12) **United States Design Patent**
Praskovsky et al.

(10) **Patent No.:** **US D667,373 S**

(45) **Date of Patent:** **** Sep. 18, 2012**

(54) **VORTEX GENERATOR**

(76) Inventors: **Alexander Praskovsky**, Fort Lauderdale, FL (US); **Eleanor Praskovskaya**, Fort Lauderdale, FL (US); **Andrew Praskovsky**, Fort Lauderdale, FL (US)

(**) Term: **14 Years**

(21) Appl. No.: **29/413,556**

(22) Filed: **Feb. 16, 2012**

(51) **LOC (9) Cl.** **13-01**

(52) **U.S. Cl.** **D13/112**

(58) **Field of Classification Search** D13/112, D13/101, 113, 114, 115, 122, 184, 199; D12/214, D12/344, 345; D15/5, 199; D23/380, 386, D23/411; 73/861.18, 861.22; 123/306, 590; 239/461, 462; 244/199.1, 200.1, 206-208
See application file for complete search history.

(56) **References Cited**

U.S. PATENT DOCUMENTS

D249,788 S * 10/1978 Nanjo D13/116
4,424,714 A * 1/1984 Johnson 73/861.22
4,655,419 A 4/1987 van der Hoeven

D294,247 S * 2/1988 White et al. D13/115
5,058,837 A 10/1991 Wheeler
D432,073 S 10/2000 Coyle
6,494,935 B2 12/2002 Cho
D494,928 S * 8/2004 Fan D13/112
D555,592 S * 11/2007 Nozaki et al. D13/114
D560,162 S * 1/2008 Martinez D13/115
7,325,538 B2 2/2008 Bean
D563,319 S * 3/2008 Martinez D13/115
7,472,680 B2 1/2009 Torii
7,766,279 B2 8/2010 Harman

* cited by examiner

Primary Examiner — Derrick Holland

(74) *Attorney, Agent, or Firm* — Nadya Reingand

(57) **CLAIM**

The ornamental design for a vortex generator, as shown and described.

DESCRIPTION

FIG. 1 is a front perspective view of a vortex generator showing our design;

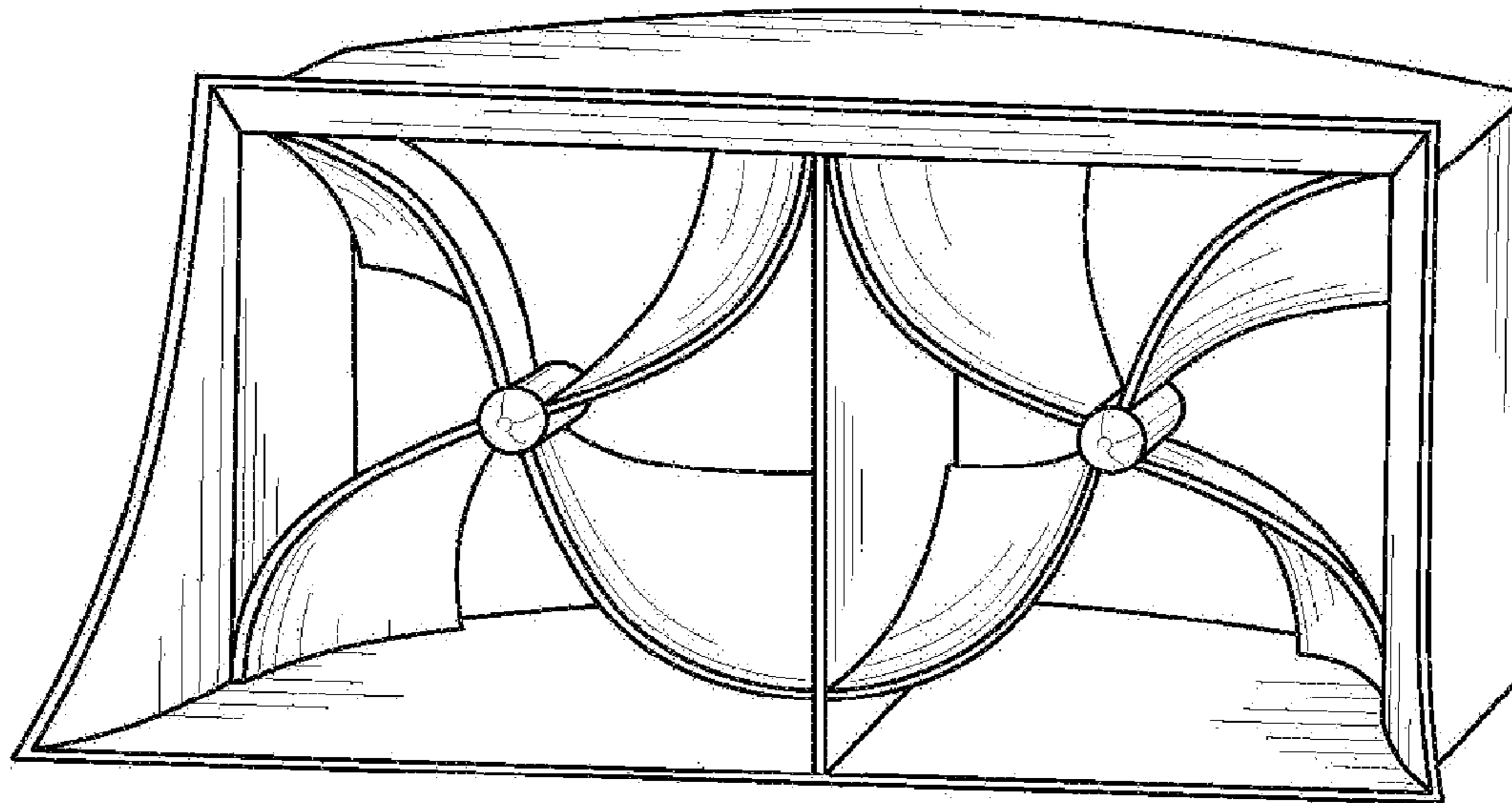
FIG. 2 is a rear perspective view thereof;

FIG. 3 is a right side view thereof (the left side view is a mirror image of the right side view);

FIG. 4 is a top plan view thereof; and,

FIG. 5 is a bottom plan view thereof.

1 Claim, 2 Drawing Sheets



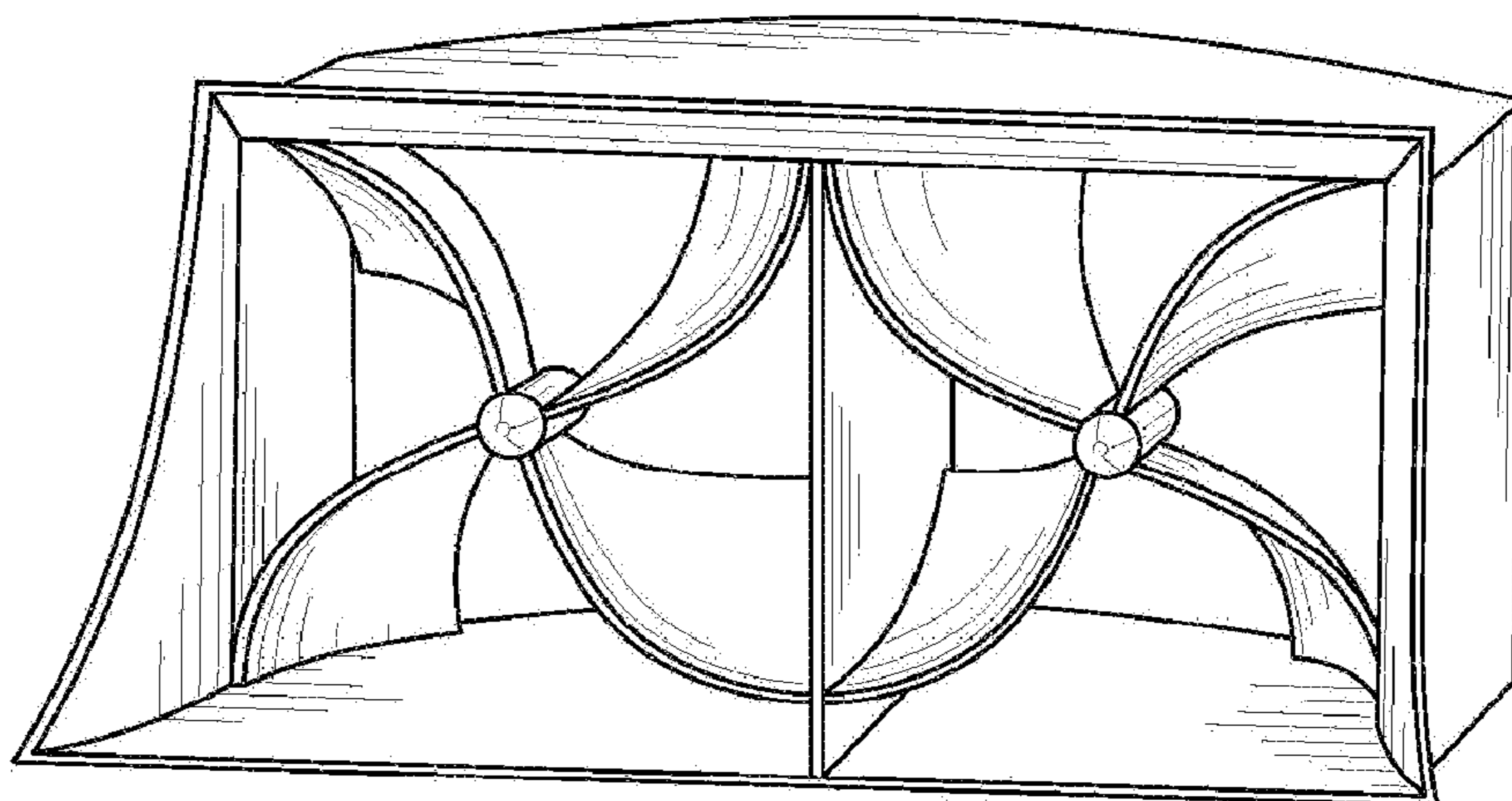


FIG. 1

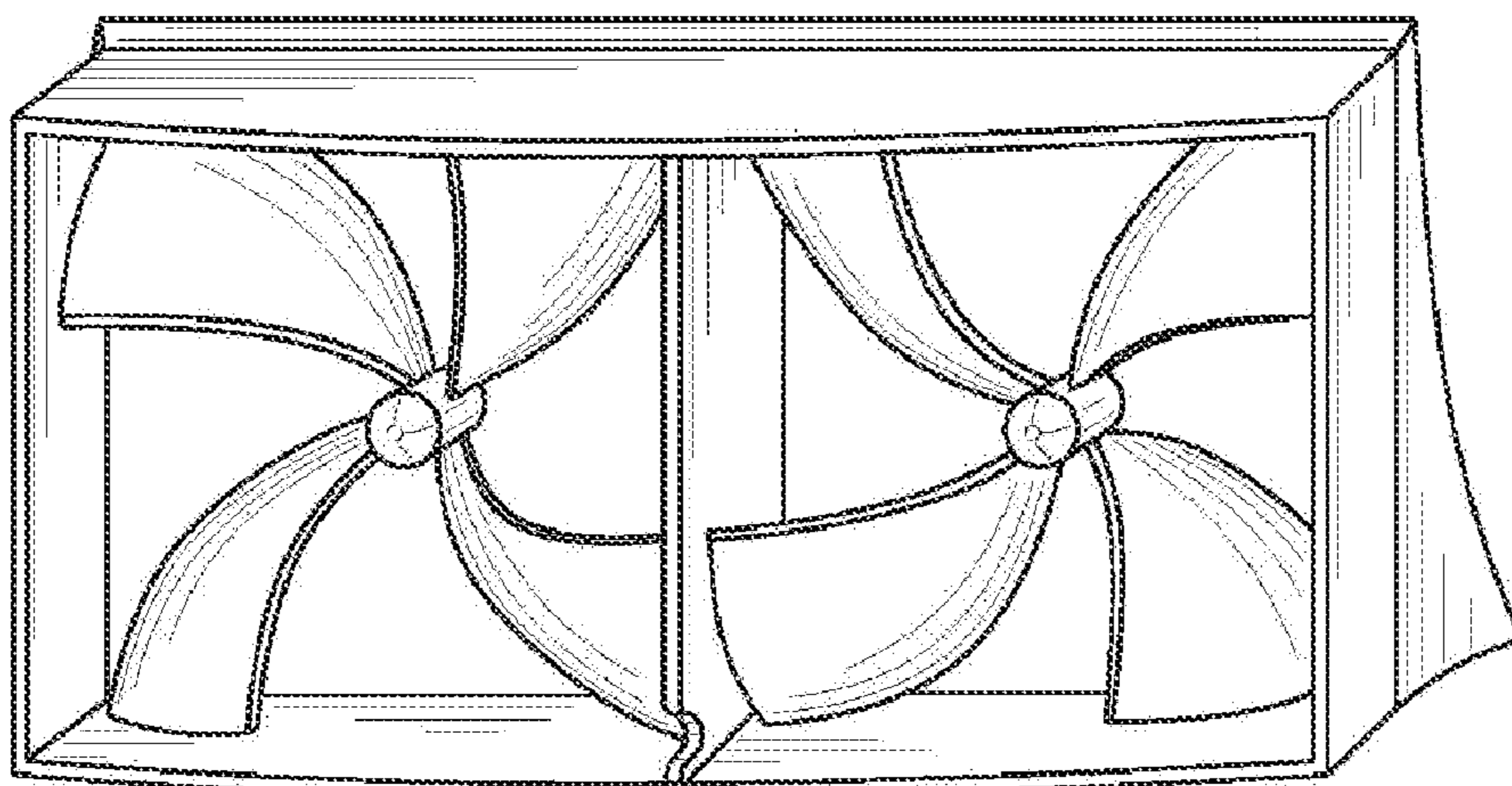


FIG. 2

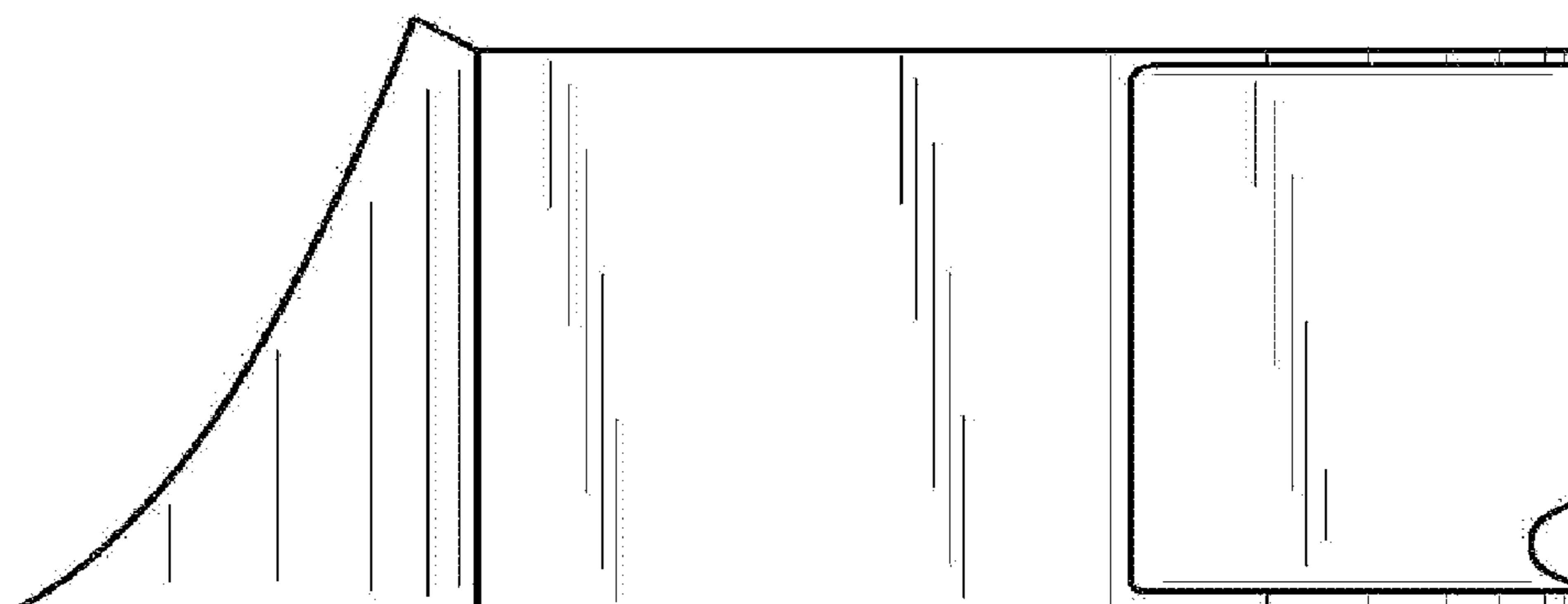


FIG. 3

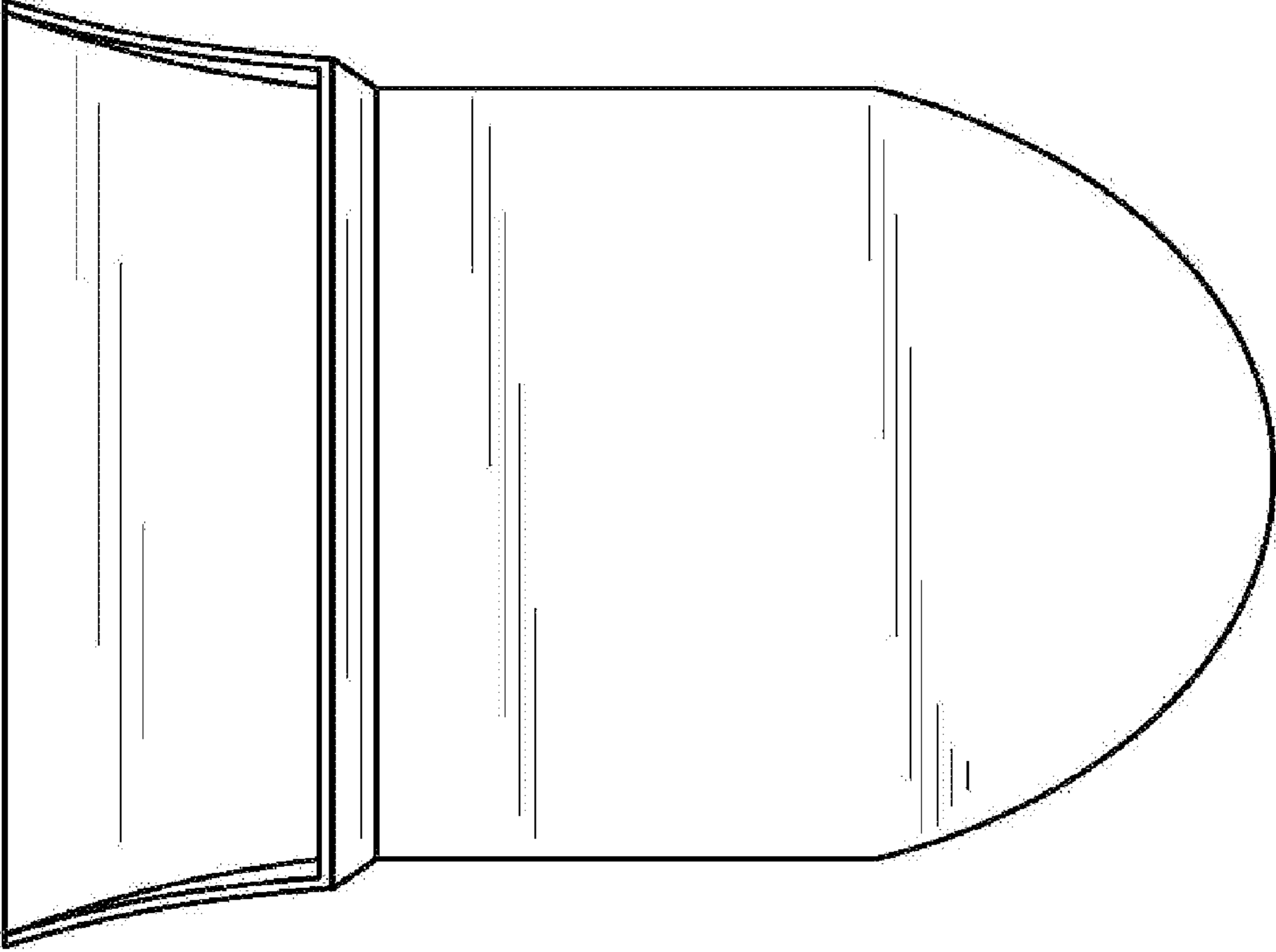


FIG. 4

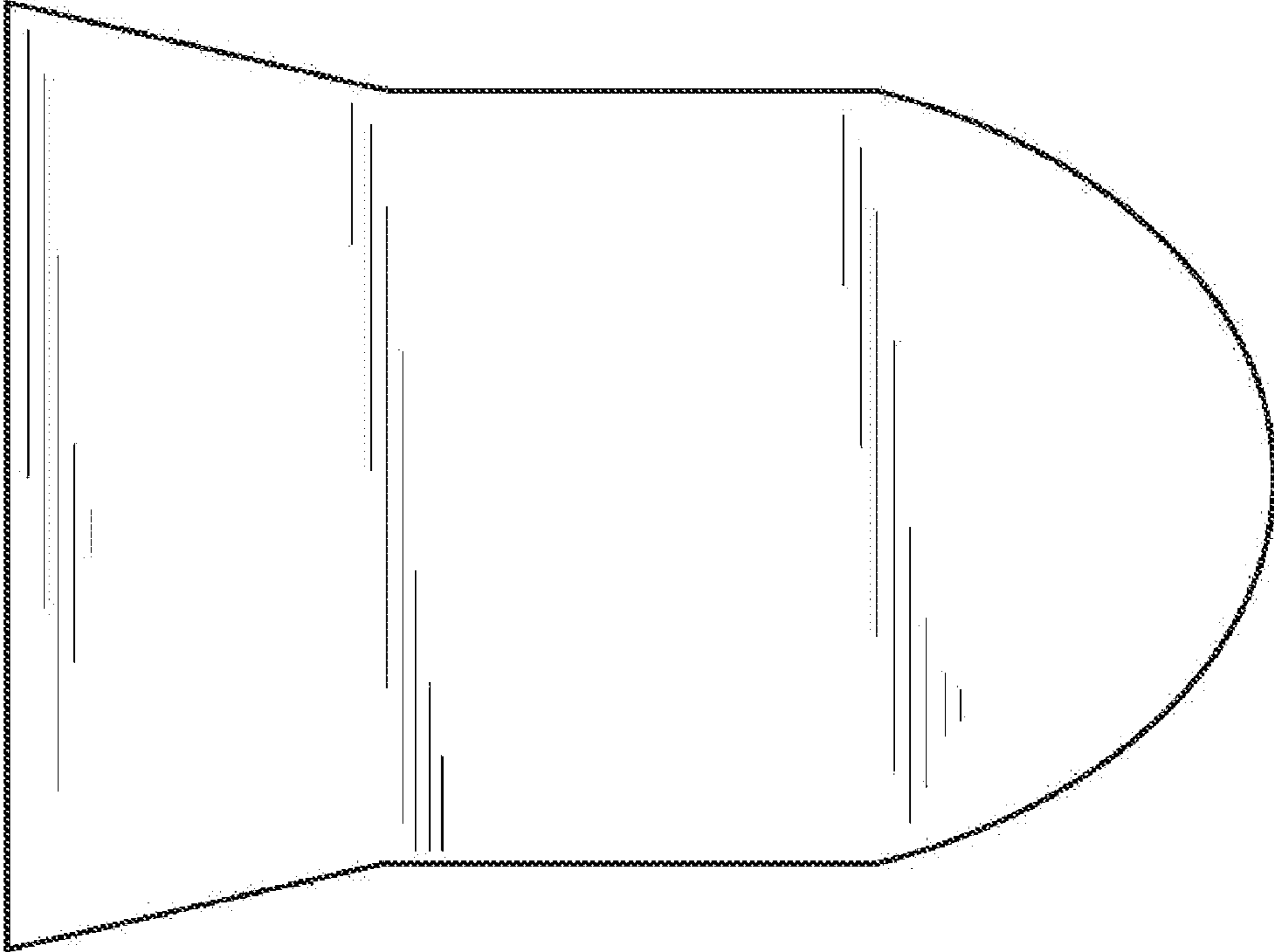


FIG. 5