



US00D667372S

(12) **United States Design Patent**
Lannoch

(10) **Patent No.:** **US D667,372 S**

(45) **Date of Patent:** **** Sep. 18, 2012**

(54) **ELECTRIC MOTOR**

(75) Inventor: **Hans-Juergen Lannoch,**
Linkenheim-Hochstetten (DE)

(73) Assignee: **Sew-Eurodrive GmbH & Co. KG,**
Bruchsal (DE)

(**) Term: **14 Years**

(21) Appl. No.: **29/366,657**

(22) Filed: **Jul. 28, 2010**

(30) **Foreign Application Priority Data**

Feb. 3, 2010 (DE) 40 2010 000 620

(51) **LOC (9) Cl.** **13-01**

(52) **U.S. Cl.** **D13/112**

(58) **Field of Classification Search** D13/112,
D13/113, 114, 122, 199; D15/3, 5, 199;
74/606 R, 609; 310/10, 40 R, 42, 51, 58,
310/71, 85, 89, 91, 109, 236, 239, 254; 318/245,
318/255

See application file for complete search history.

(56) **References Cited**

U.S. PATENT DOCUMENTS

D137,665 S * 4/1944 Heintz D13/113
D207,401 S * 4/1967 Kerr et al. D13/114
D236,985 S * 9/1975 Baumann D13/114
4,244,098 A * 1/1981 Barcus 29/596
D297,426 S * 8/1988 Mabuchi D13/112

D310,816 S * 9/1990 Sawato et al. D13/112
D314,742 S * 2/1991 Sieber D13/114
D336,890 S * 6/1993 Hirose et al. D13/112
5,543,671 A * 8/1996 Williams 310/71
D386,744 S * 11/1997 Urvoy D13/112
D424,516 S * 5/2000 Friedrichsen D13/112
D516,506 S * 3/2006 Ichimaru et al. D13/112
D576,941 S * 9/2008 Evon et al. D13/112

* cited by examiner

Primary Examiner — Derrick Holland

(74) *Attorney, Agent, or Firm* — Kenyon & Kenyon LLP

(57) **CLAIM**

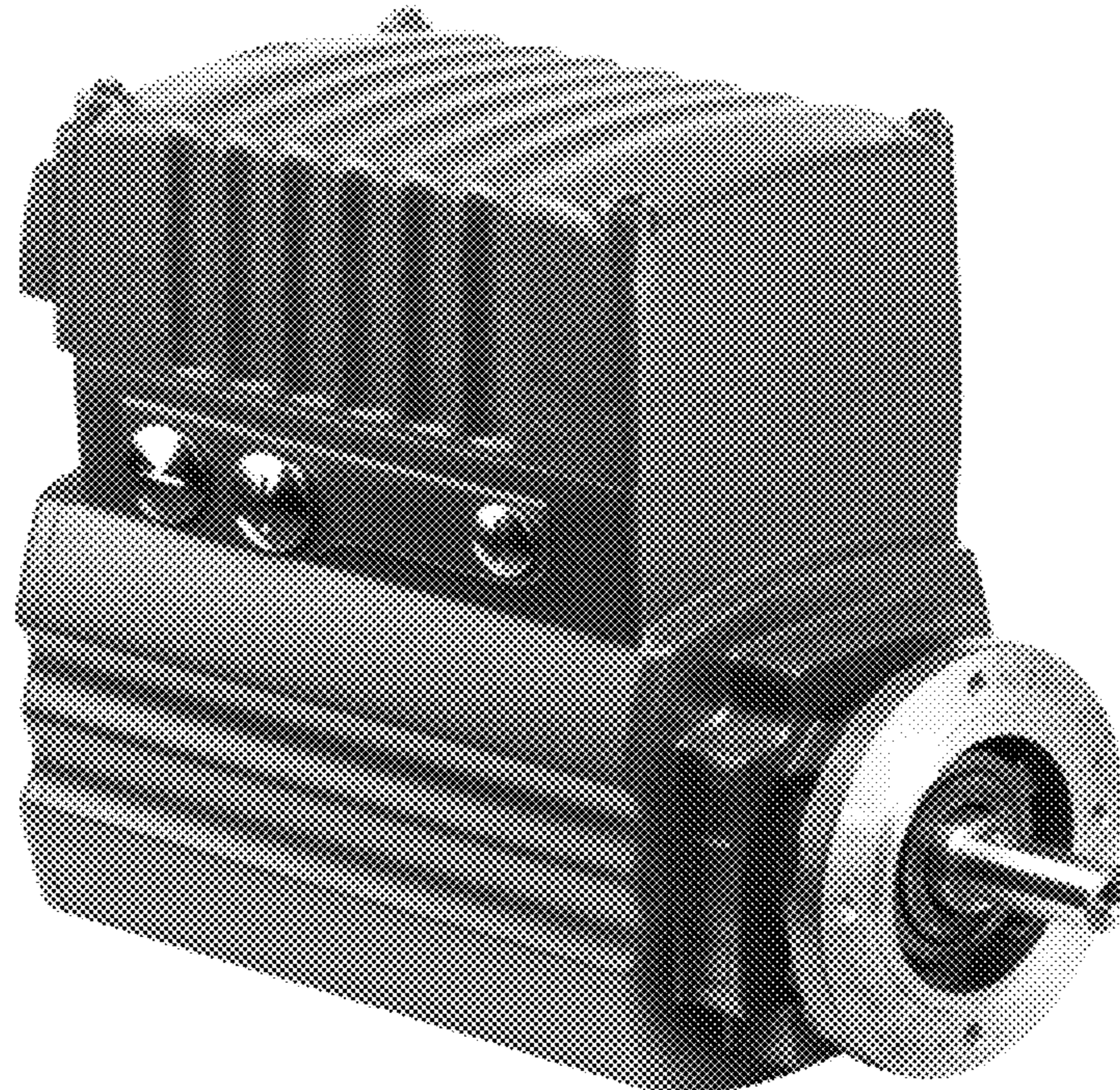
The ornamental design for an electric motor, as shown and described.

DESCRIPTION

FIG. 1 is a front perspective view of an electric motor showing my new design;
FIG. 2 is a left side view thereof;
FIG. 3 is a right side view thereof;
FIG. 4 is a front view thereof;
FIG. 5 is a rear view thereof;
FIG. 6 is a top view thereof; and,
FIG. 7 is a bottom view thereof.

The Figures include an illustration of the logo, "SEW," and other written matter, which is shown for illustrative purposes and forms no part of the claimed design. The colors included in the Figures are for illustrative purposes and form no part of the claimed design, i.e., color is not an integral part of the claimed design.

1 Claim, 7 Drawing Sheets



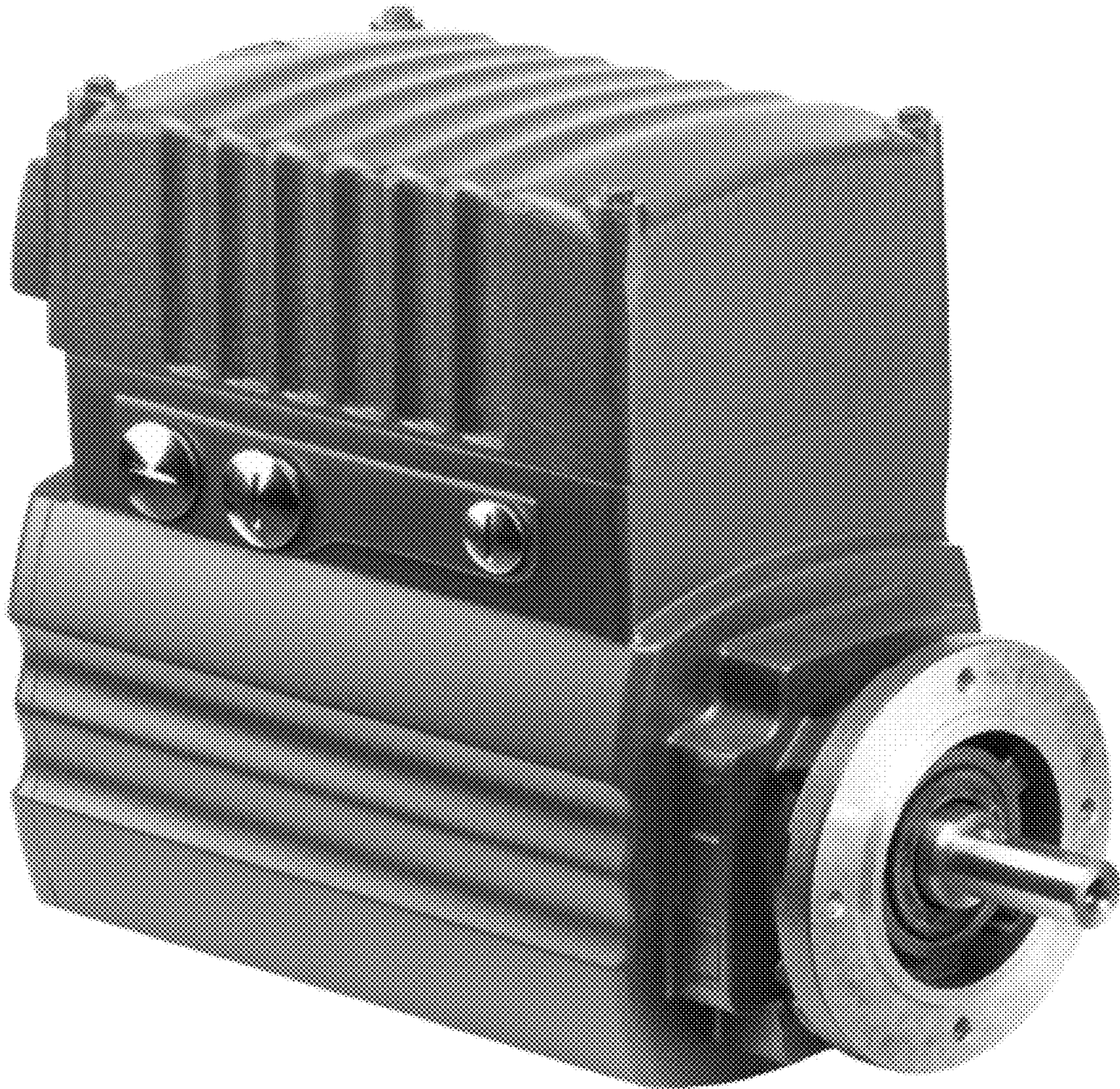


FIG. 1

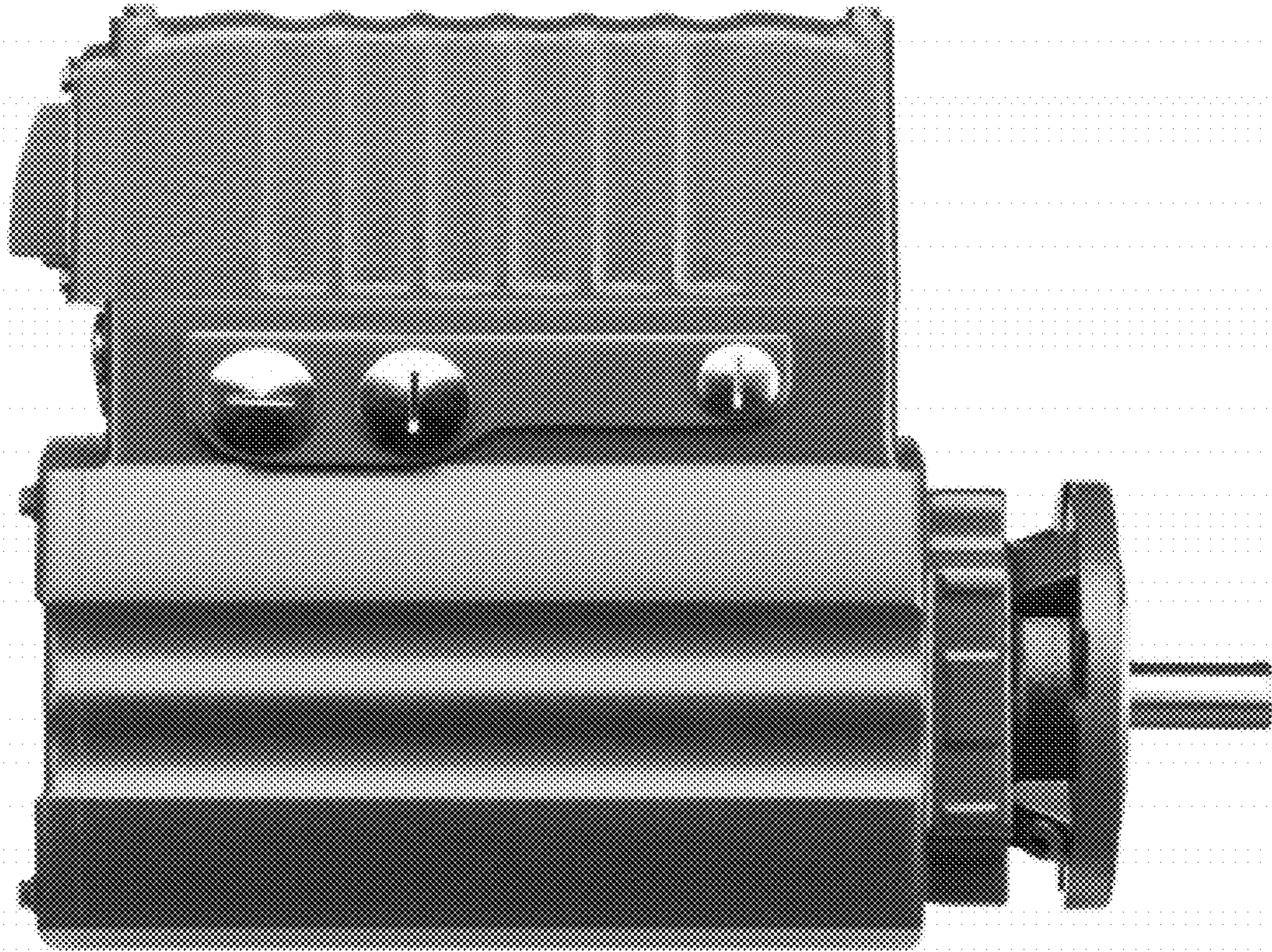


FIG. 2

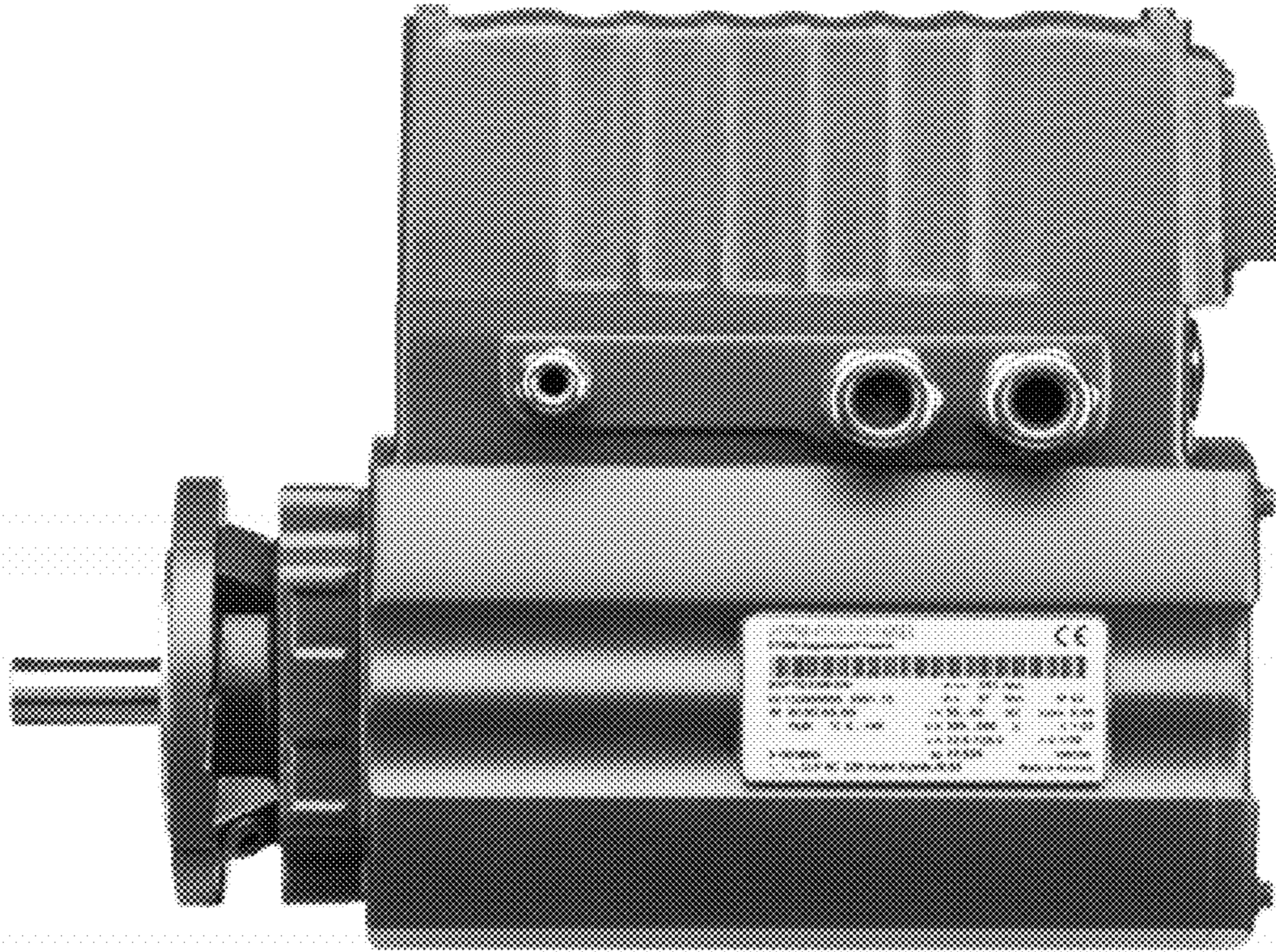


FIG. 3

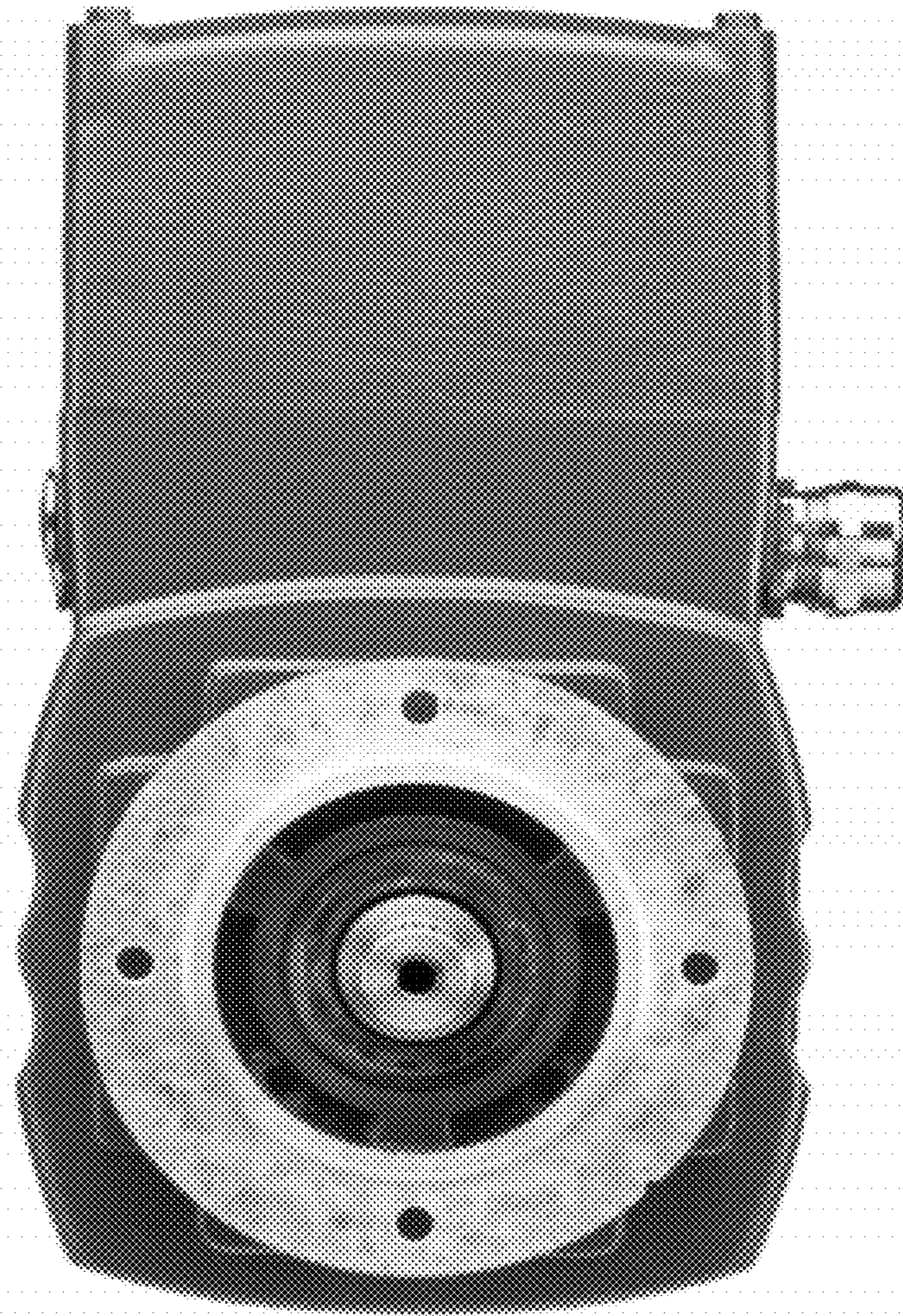


FIG. 4



FIG. 5

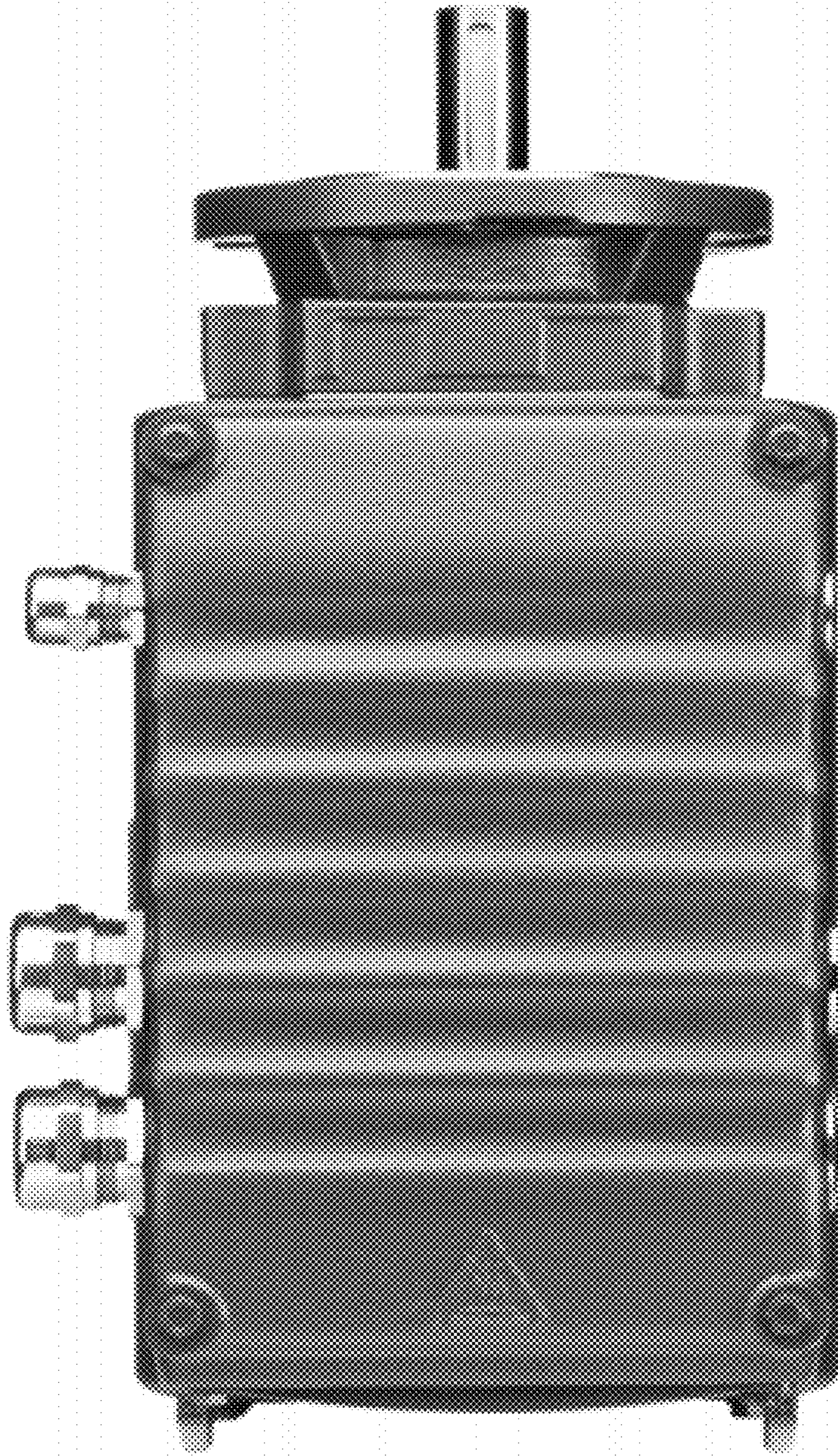


FIG. 6

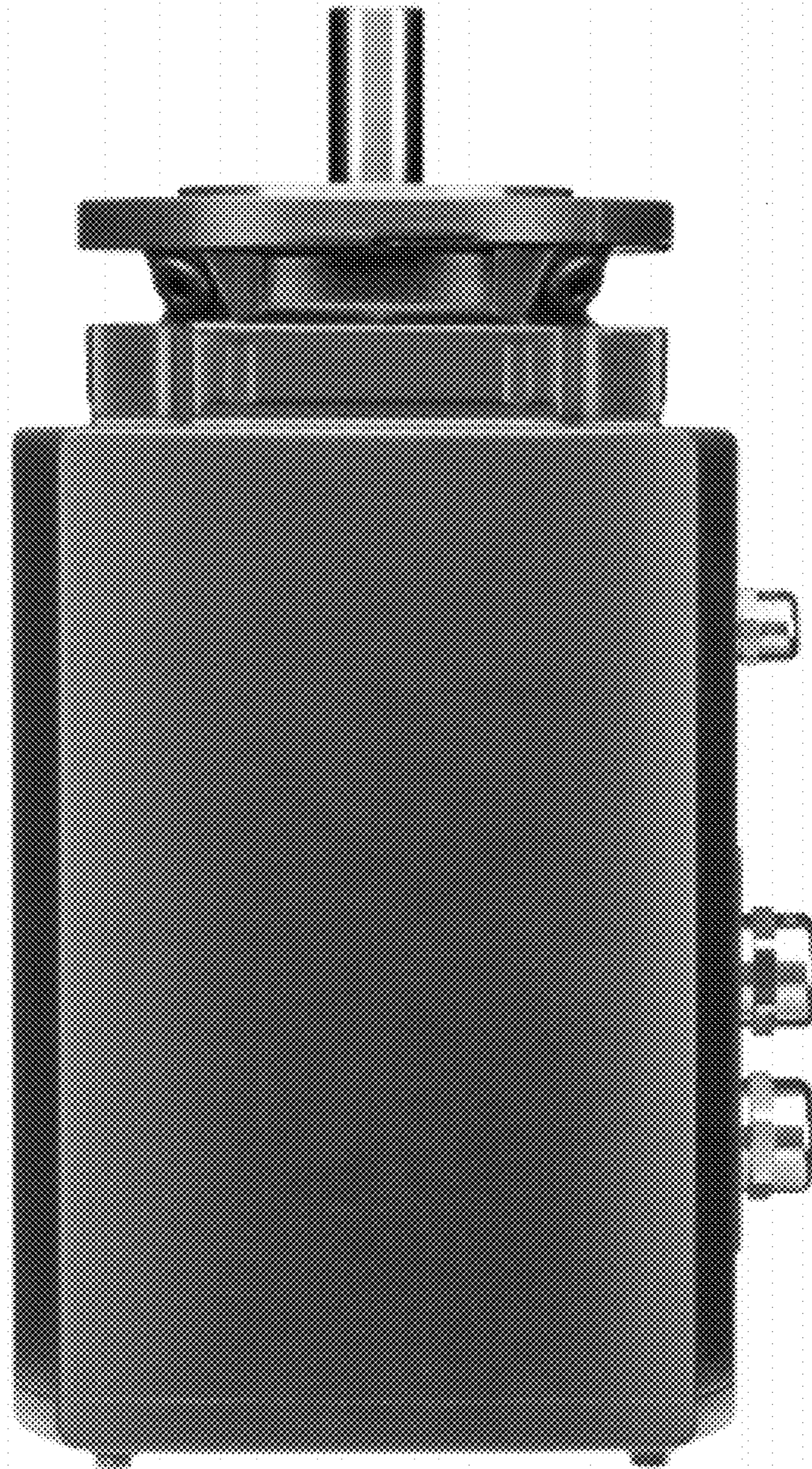


FIG. 7