

US00D667371S

(12) **United States Design Patent**
Shimosawa et al.

(10) **Patent No.:** **US D667,371 S**

(45) **Date of Patent:** **** Sep. 18, 2012**

(54) **SOLAR CELL**

(75) Inventors: **Makoto Shimosawa**, Kumamoto (JP);
Nobuyuki Masuda, Kumamoto (JP)

(73) Assignee: **Fuji Electric Co., Ltd.**, Kawasaki-Shi
(JP)

(**) Term: **14 Years**

(21) Appl. No.: **29/364,372**

(22) Filed: **Jun. 23, 2010**

(51) **LOC (9) Cl.** **13-02**

(52) **U.S. Cl.** **D13/102**

(58) **Field of Classification Search** D13/102,
D13/101, 107, 118, 199; 126/561, 566, 569;
136/243-247, 251, 252, 254, 256
See application file for complete search history.

(56) **References Cited**

U.S. PATENT DOCUMENTS

| | | | | | | |
|-----------|---|---|--------|----------------|-------|---------|
| D303,244 | S | * | 9/1989 | Hanak | | D13/102 |
| 5,421,908 | A | * | 6/1995 | Yoshida et al. | | 136/244 |
| 5,733,381 | A | * | 3/1998 | Ota et al. | | 136/244 |
| D442,139 | S | * | 5/2001 | Sasaoka | | D13/102 |
| D469,057 | S | * | 1/2003 | Shugar | | D13/102 |

| | | | | | | |
|-----------|----|---|---------|---------------|-------|---------|
| D588,534 | S | * | 3/2009 | Sharma et al. | | D13/102 |
| D601,087 | S | * | 9/2009 | Feng et al. | | D13/102 |
| D601,491 | S | * | 10/2009 | Burt | | D13/102 |
| 7,732,232 | B2 | * | 6/2010 | Sheats et al. | | 438/24 |

* cited by examiner

Primary Examiner — Derrick Holland

(74) *Attorney, Agent, or Firm* — Young & Thompson

(57) **CLAIM**

The ornamental design for a solar cell, as shown and described.

DESCRIPTION

FIG. 1 is a perspective view of front, top plan and right side of a solar cell showing our new design;
 FIG. 2 is a front view thereof;
 FIG. 3 is a rear view thereof;
 FIG. 4 is a top plan view, a bottom view being a mirror image thereof;
 FIG. 5 is a right side view, a left side view being a mirror image thereof;
 FIG. 6 is an enlarged right side view thereof; and,
 FIG. 7 is a front view thereof, show in environmental use.
 The broken lines shown represent unclaimed subject matter and form no part of the claimed design.

1 Claim, 6 Drawing Sheets

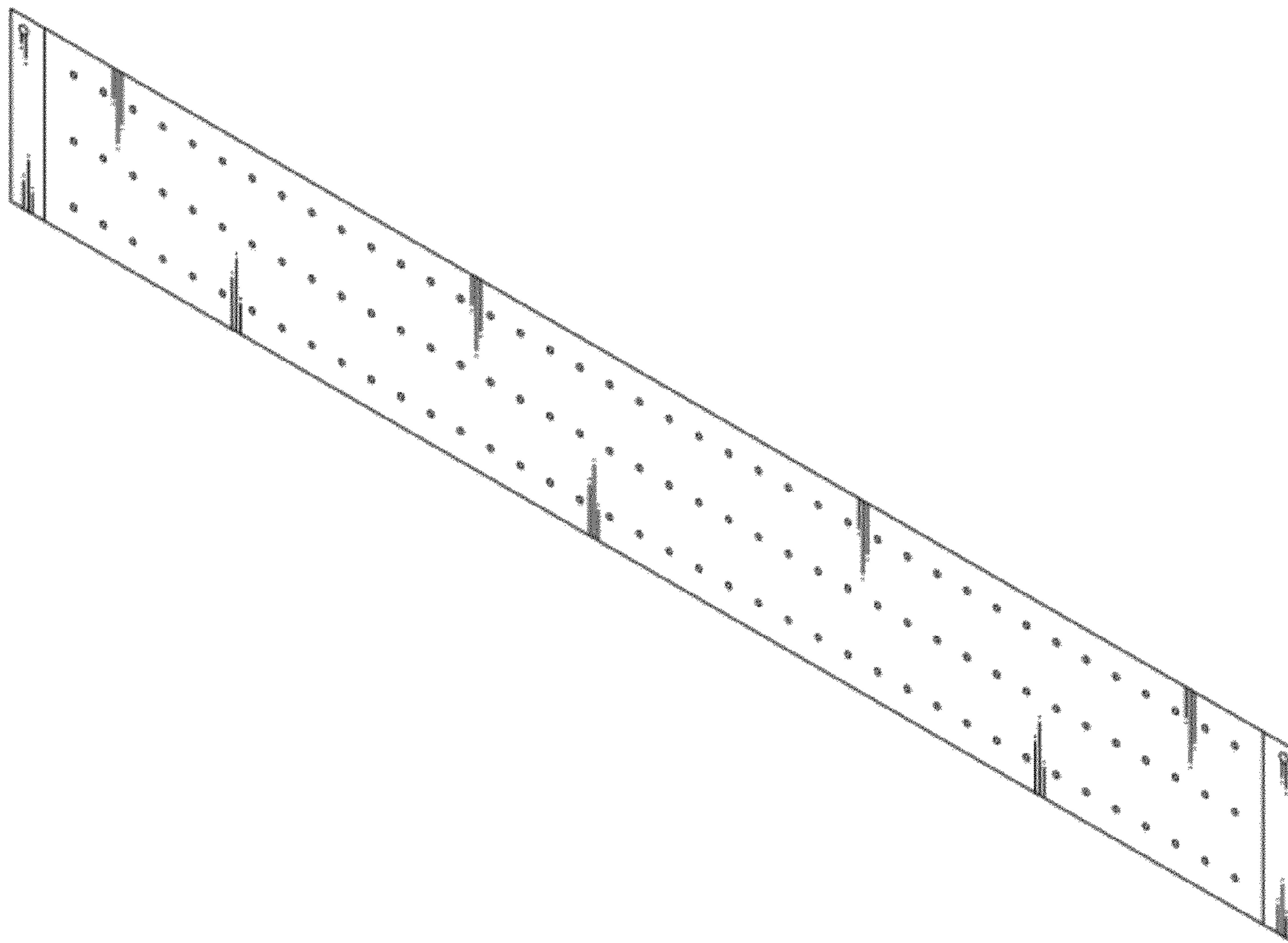


FIG.1

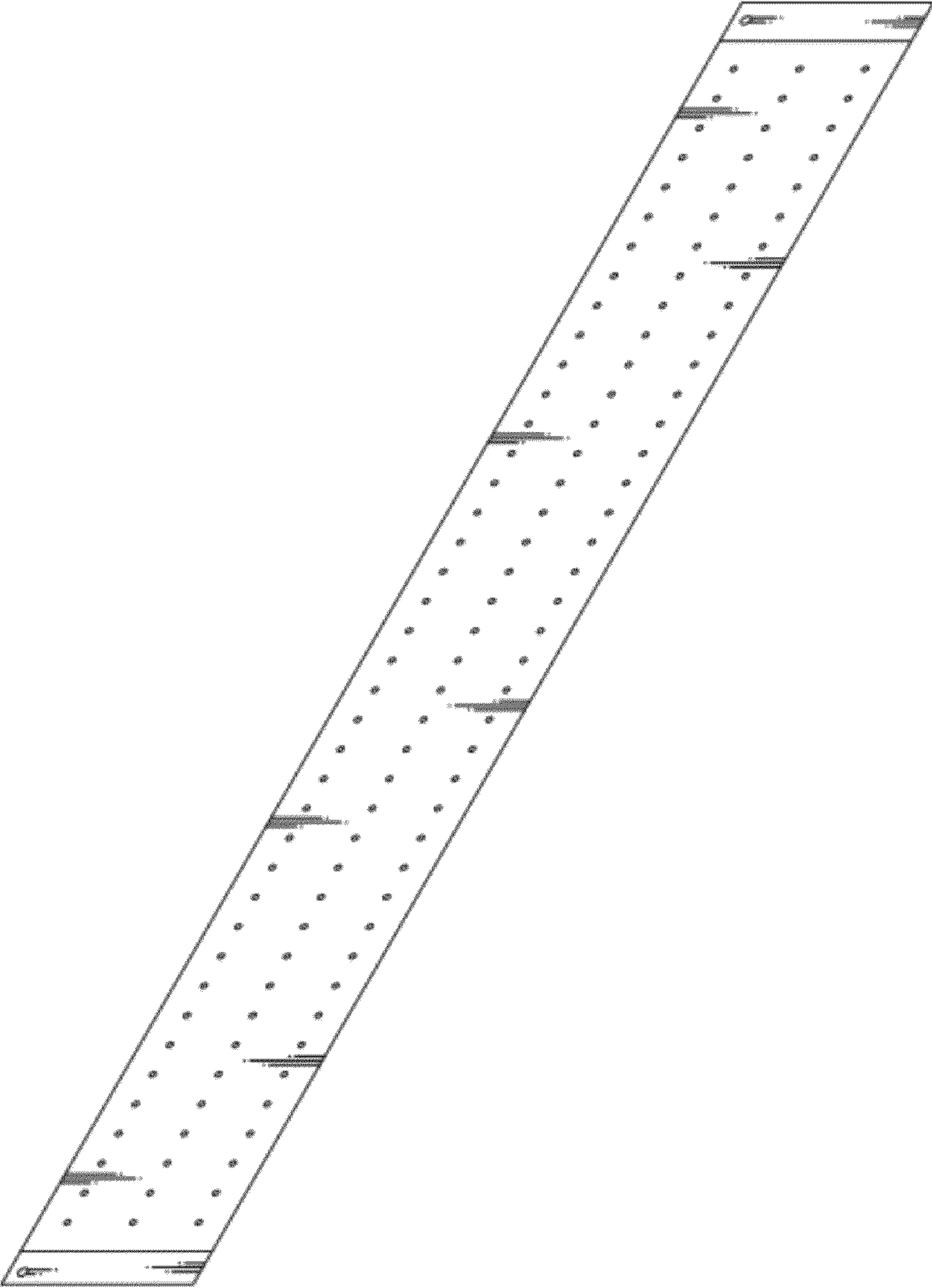


FIG.2

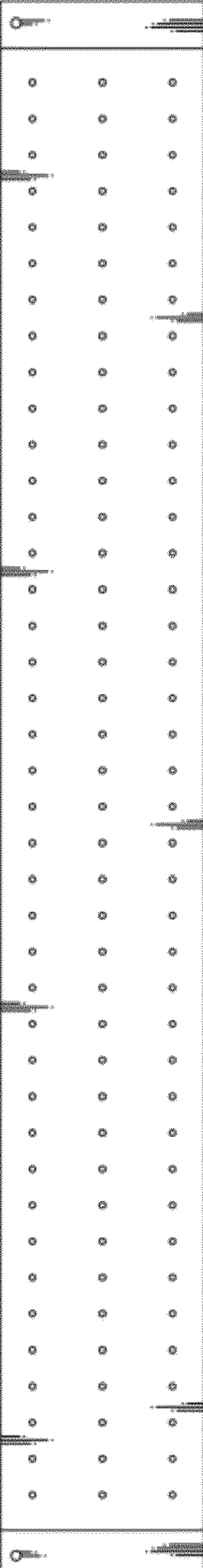


FIG.3

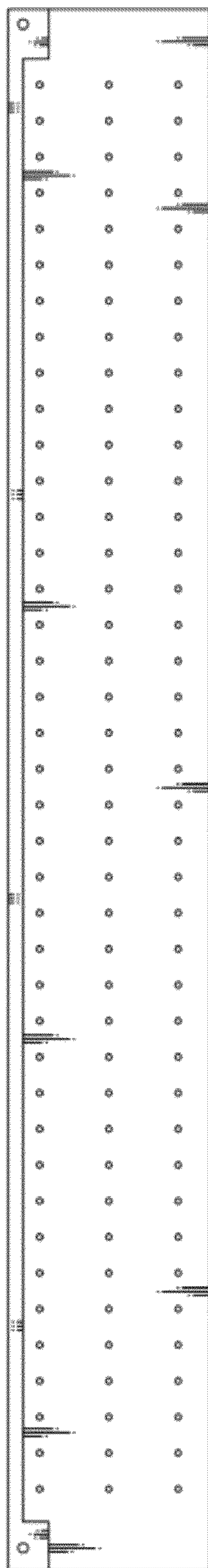


FIG.4



FIG.5

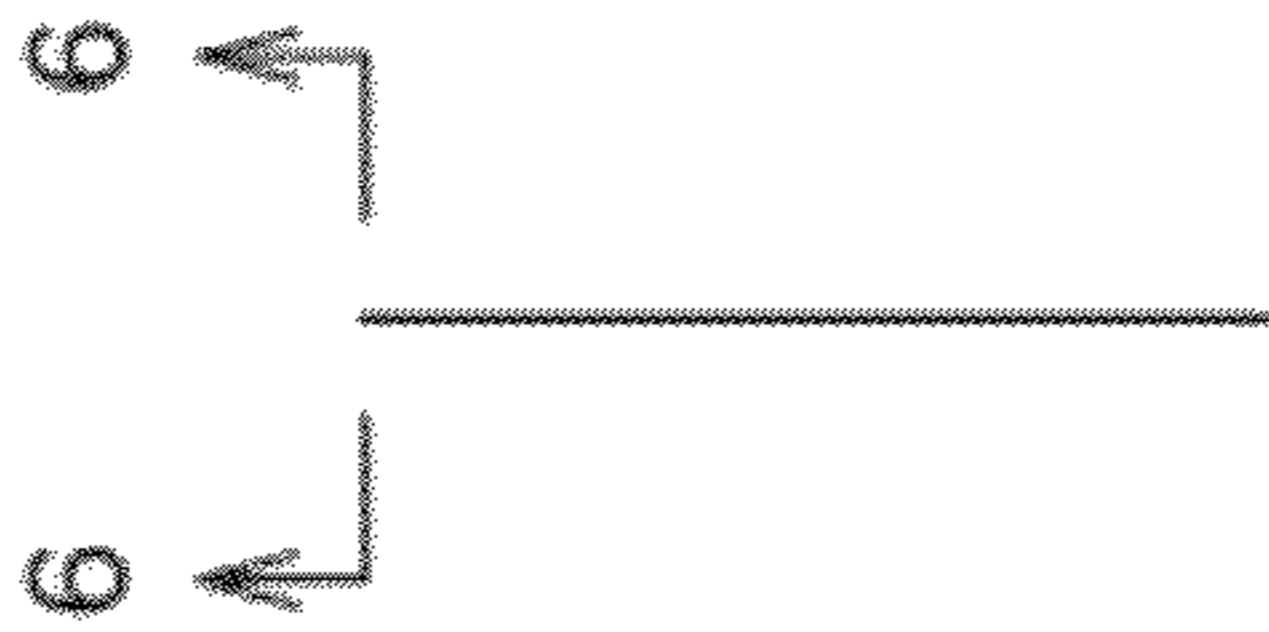


FIG. 6

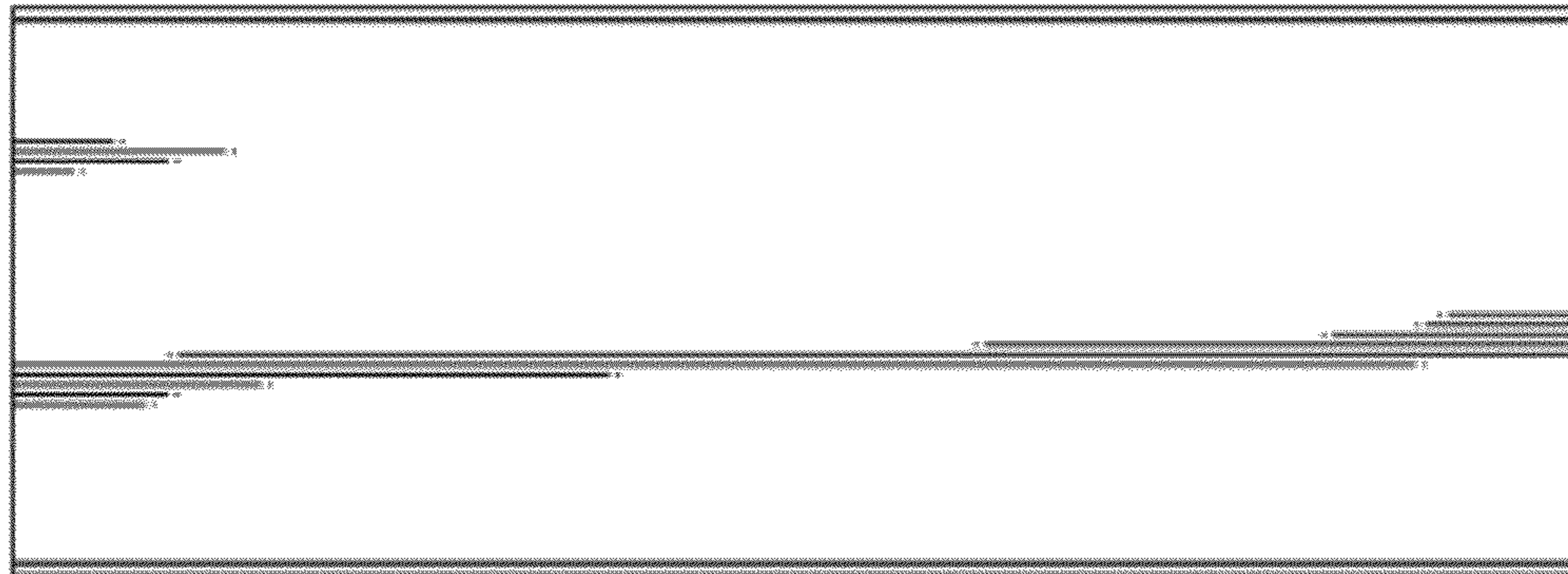


FIG. 7

