



US00D667367S

(12) **United States Design Patent**
Bonko et al.

(10) **Patent No.:** **US D667,367 S**

(45) **Date of Patent:** **** Sep. 18, 2012**

(54) **TIRE**

(75) Inventors: **Mark Leonard Bonko**, Uniontown, OH (US); **Dale Edward Umstot**, Atwater, OH (US); **Jonathan James Shondel**, Massillon, OH (US); **Charles Joseph Ashton**, Cuyahoga Falls, OH (US); **Joseph Thomas Janesh**, Tallmadge, OH (US); **Shannon Joseph Hughes**, Rootstown, OH (US); **Daniel Glenn Oberlin**, Marshallville, OH (US); **Karl Eric Sundkvist**, Akron, OH (US); **Paul Bryan Maxwell**, Kent, OH (US)

(73) Assignee: **The Goodyear Tire & Rubber Company**, Akron, OH (US)

(**) Term: **14 Years**

(21) Appl. No.: **29/397,005**

(22) Filed: **Jul. 11, 2011**

(51) **LOC (9) Cl.** **12-15**

(52) **U.S. Cl.** **D12/600; D12/900**

(58) **Field of Classification Search** D12/568-603, D12/900-901; 152/209.1-209.9, 209.11-209.19, 152/209.21-209.28, 455

See application file for complete search history.

(56) **References Cited**

U.S. PATENT DOCUMENTS

D325,013 S	3/1992	Vaughn-Lindner et al.	D12/147
D325,186 S	4/1992	Pulte, Jr.	D12/147
D391,205 S *	2/1998	Schad et al.	D12/600
D414,147 S *	9/1999	Matsuda	D12/600
D429,479 S	8/2000	Fierro et al.	D12/147
D481,005 S *	10/2003	Umstot et al.	D12/600
D488,772 S	4/2004	Kunos et al.	D12/602
D498,208 S	11/2004	Cazin-Bourguignon et al.	D12/600
D504,657 S	5/2005	Allen et al.	D12/579

D516,012 S	2/2006	Miller et al.	D12/579
D516,013 S	2/2006	Miller et al.	D12/579
D516,999 S	3/2006	Miller et al.	D12/579
D517,000 S	3/2006	Allen et al.	D12/579
D520,939 S	5/2006	Allen et al.	D12/600
D548,172 S	8/2007	Dixon et al.	D12/579
D548,173 S	8/2007	Herbeuval et al.	D12/579
D551,161 S	9/2007	Beaubras et al.	D12/602
D556,124 S	11/2007	Thum et al.	D12/579
D558,664 S	1/2008	Herbeuval et al.	D12/579
D578,956 S	10/2008	Dixon et al.	D12/579

(Continued)

Primary Examiner — Stacia Cadmus

(74) *Attorney, Agent, or Firm* — Richard B. O'Planick

(57) **CLAIM**

The ornamental design for a tire, as shown and described.

DESCRIPTION

FIG. 1 is a perspective view of a tire showing our new design, it being understood that the pattern repeats uniformly throughout the circumference of the tread;

FIG. 2 is a front elevational view thereof;

FIG. 3 is a right side elevational view thereof; the opposite side elevational view being identical thereto;

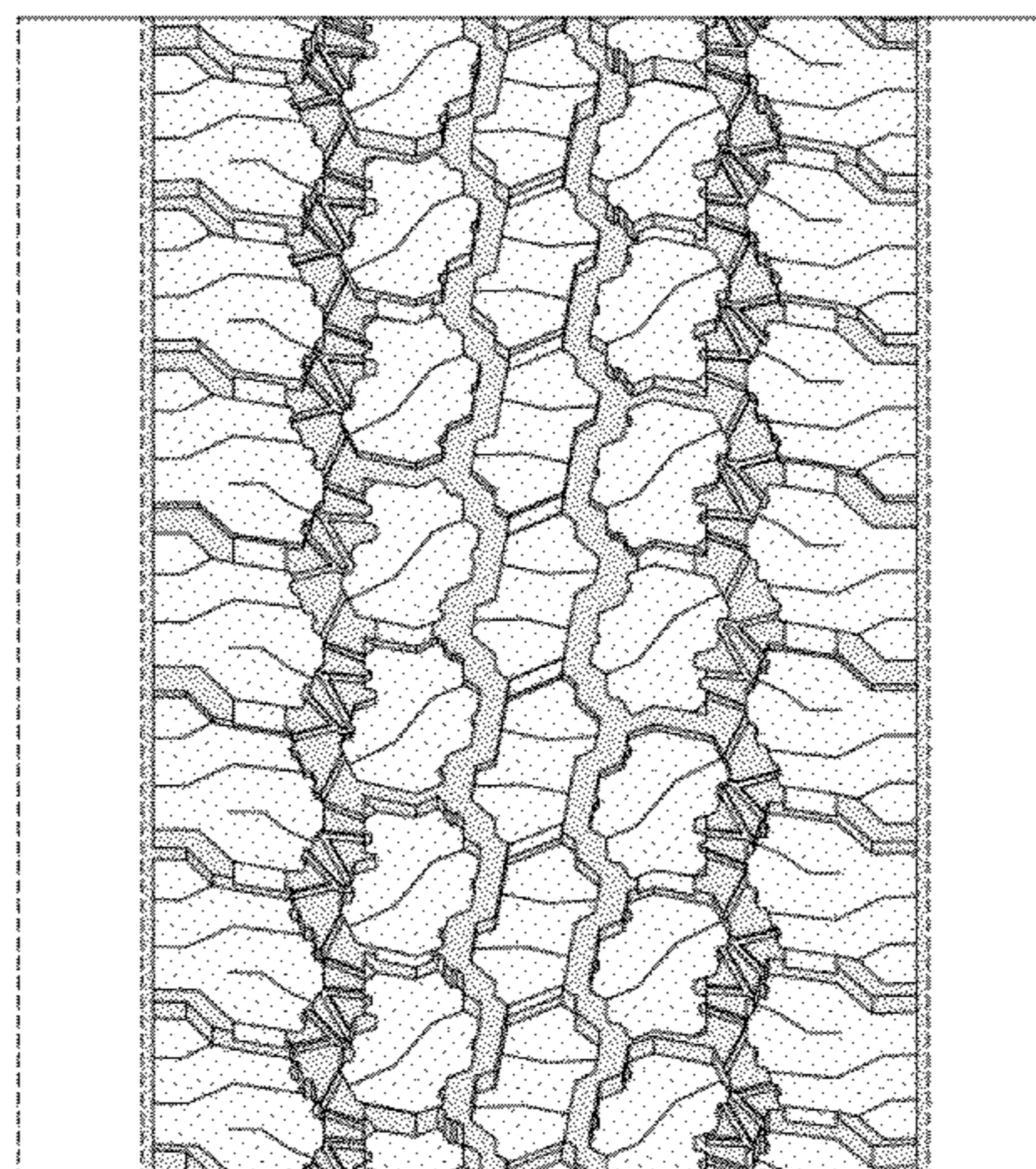
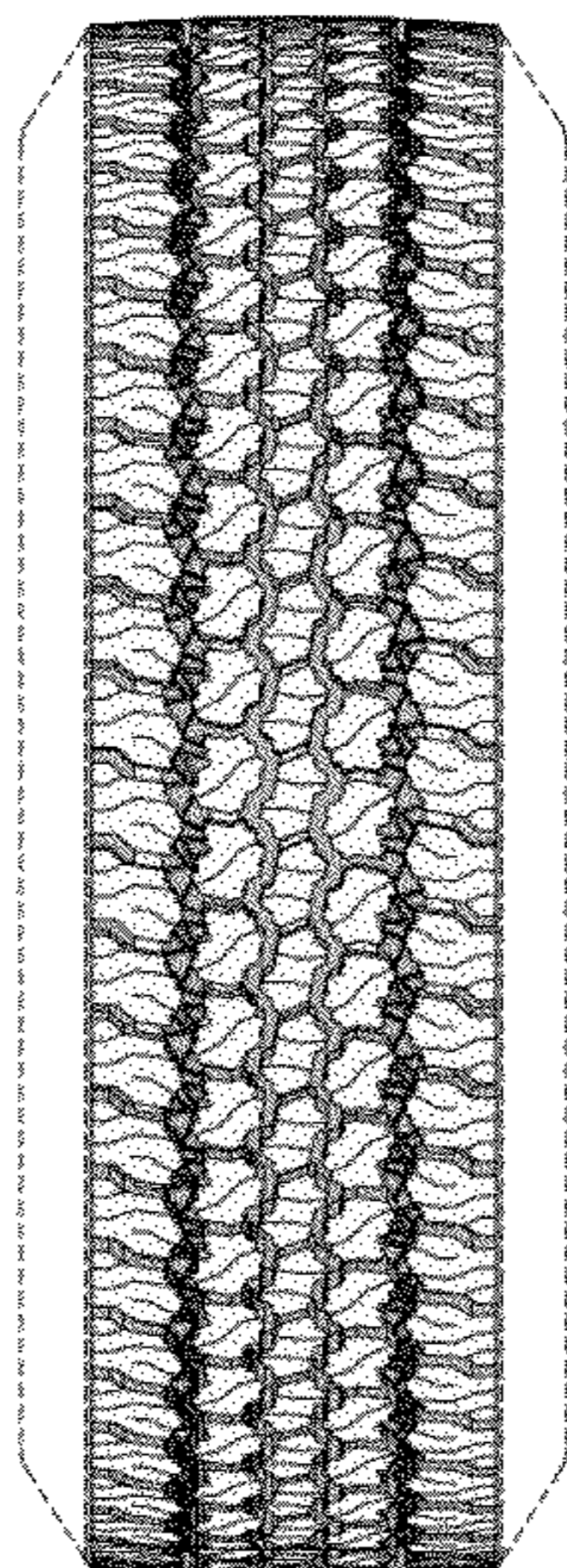
FIG. 4 is an enlarged fragmentary front elevational view thereof;

FIG. 5 is a perspective view of a second embodiment of a tire showing our new design, it being understood that the pattern repeats uniformly throughout the circumference of the tread and that the opposite side view is identical thereto; and,

FIG. 6 is a front elevational view of a second embodiment, it being understood that an enlarged fragmentary view thereof would be substantially identical to that shown in FIG. 4, with the exception of the inclusion of the sidewall in solid lines.

In the drawings, the broken lines showing of the sidewall, inner bead and the peripheral boundary between the tire tread and the sidewall in FIGS. 1 through 4 depict environmental subject matter and form no part of the claimed design.

1 Claim, 6 Drawing Sheets



US D667,367 S

Page 2

U.S. PATENT DOCUMENTS

D578,957 S	10/2008	Bonko et al.	D12/579	D626,501 S *	11/2010	Cazin-Bourguignon et al.	D12/600
D591,225 S	4/2009	Ashton et al.	D12/600	D638,780 S *	5/2011	Nobunaga	D12/588
D591,226 S	4/2009	Shondel et al.	D12/600	D651,164 S *	12/2011	Martin	D12/588
D604,227 S	11/2009	Bonko et al.	D12/579	* cited by examiner			

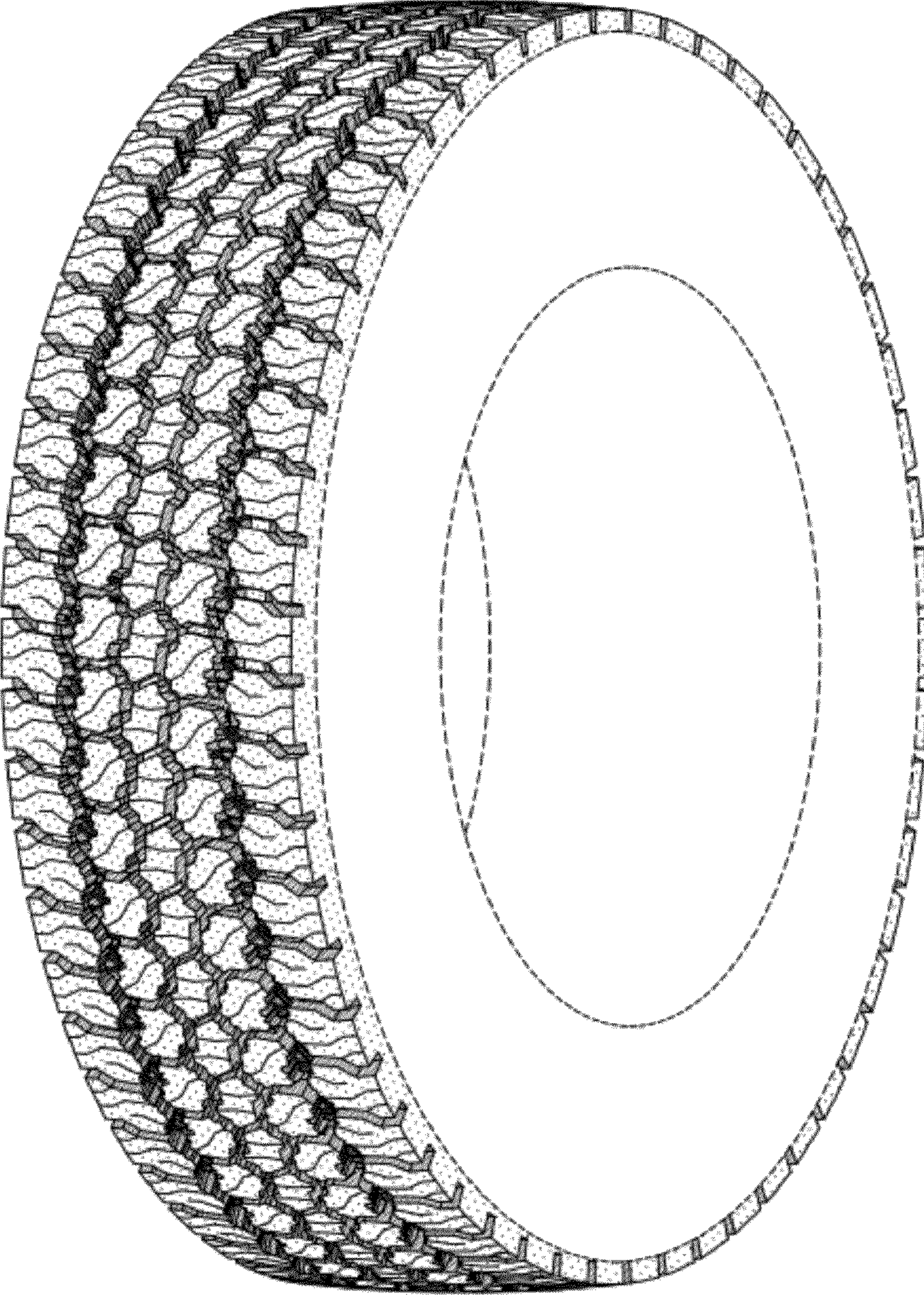


FIG-1

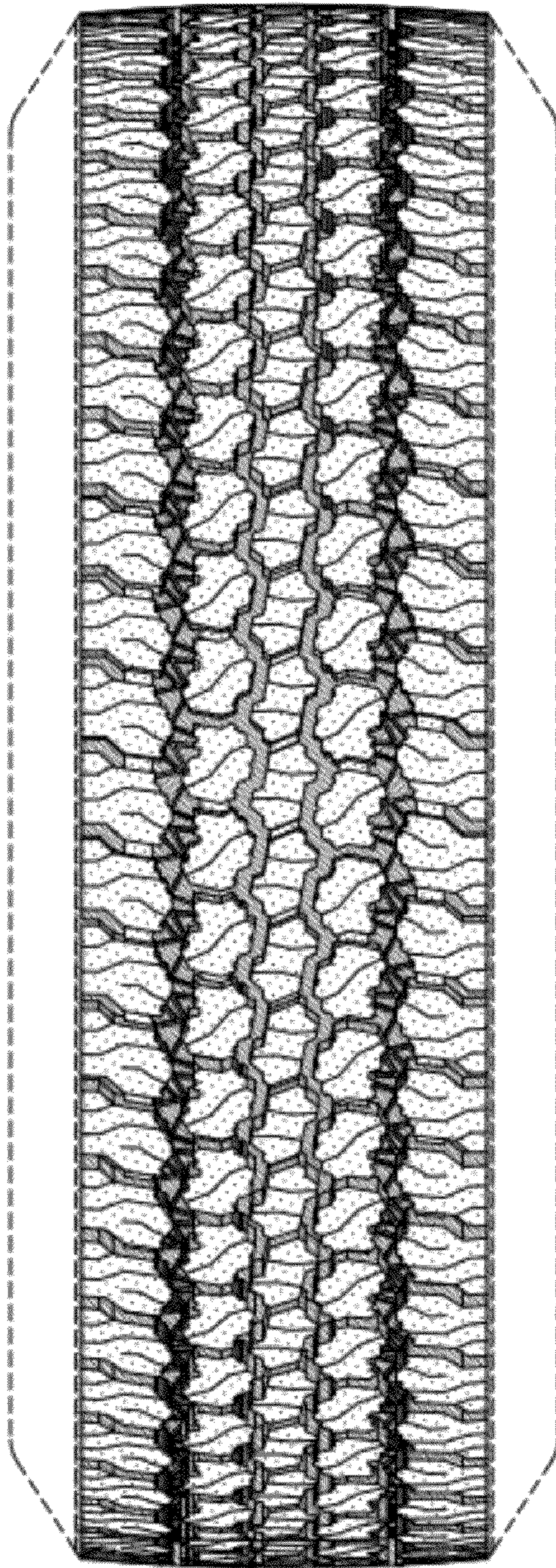


FIG-2

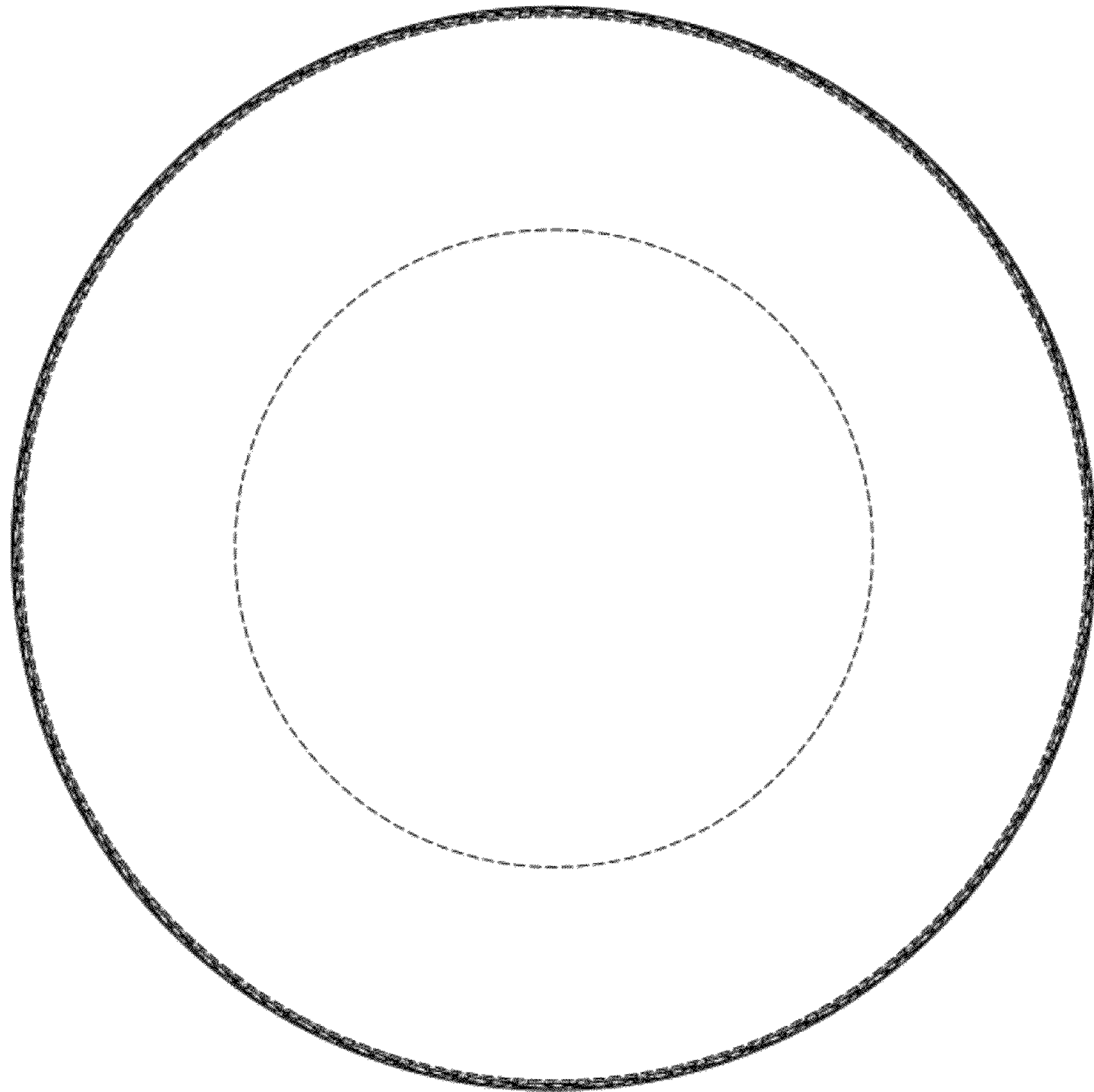


FIG-3

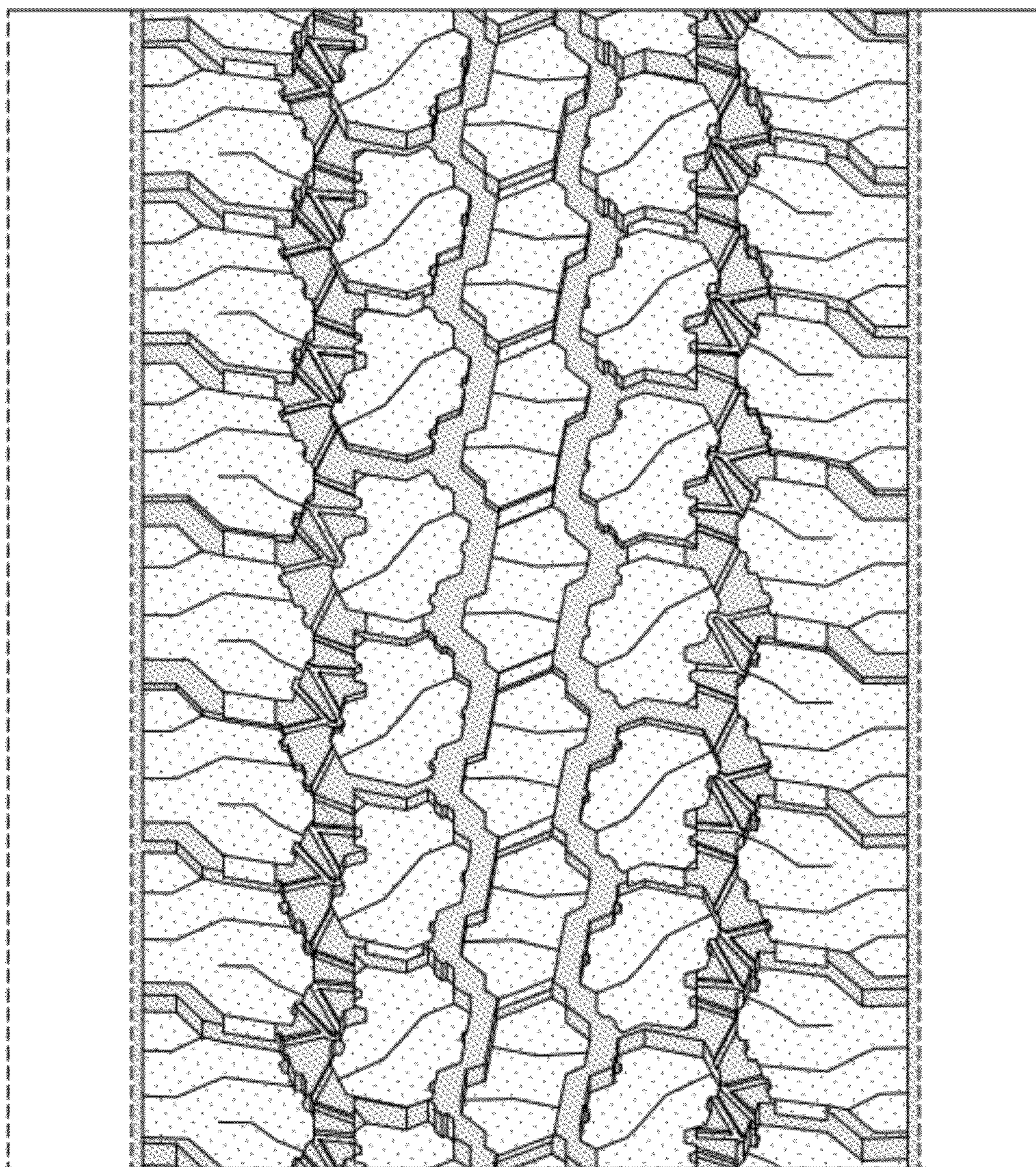


FIG-4

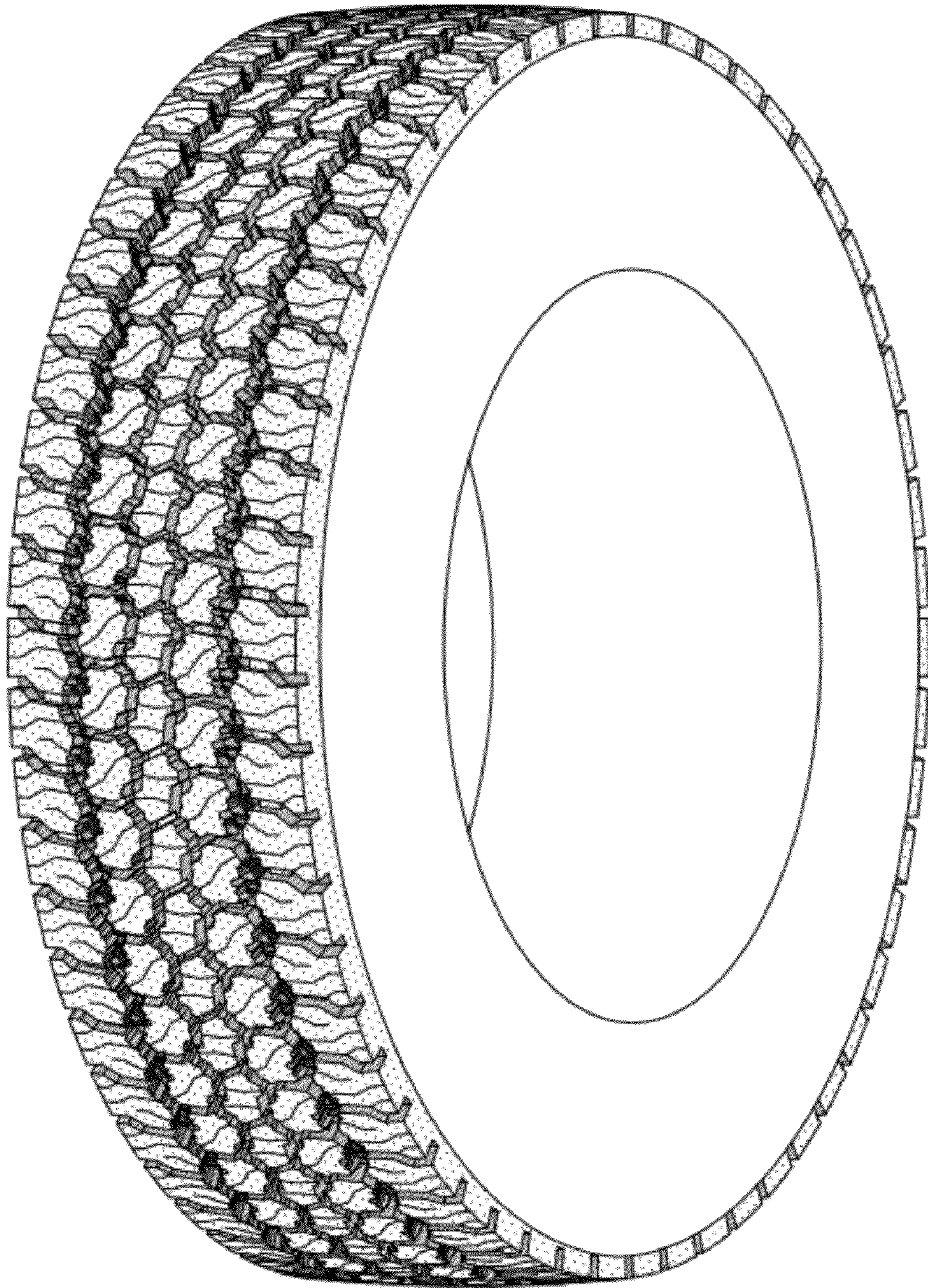


FIG-5

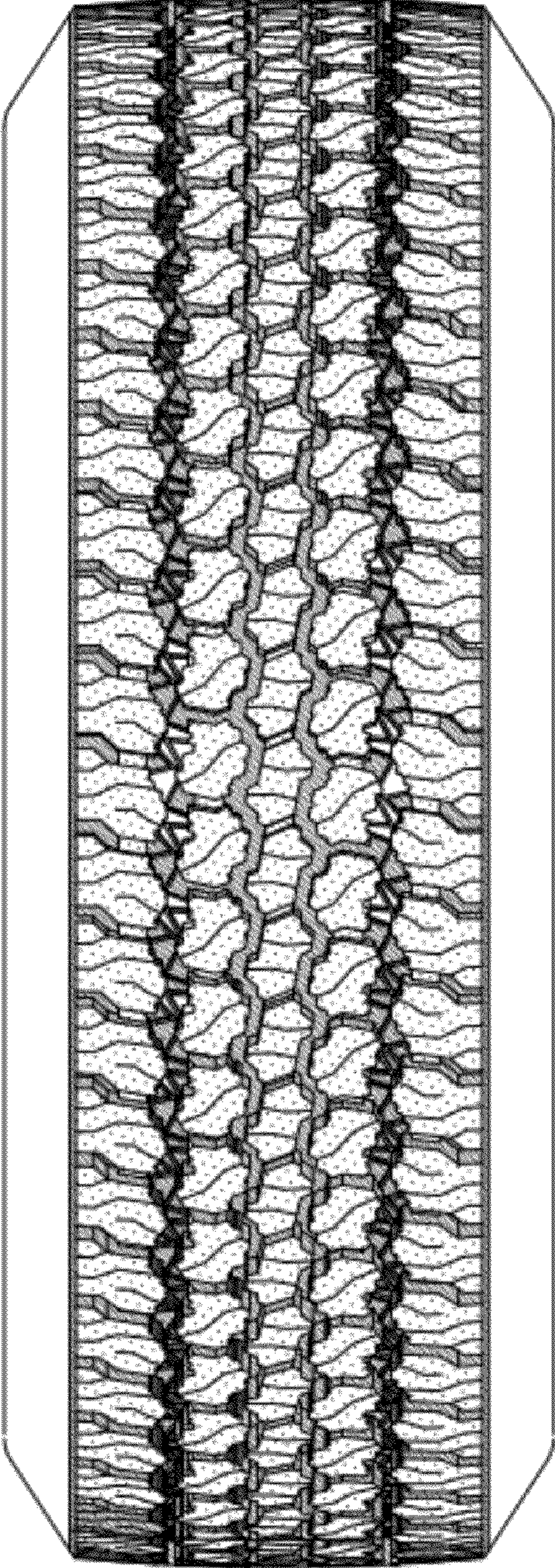


FIG-6